



US00D580528S

(12) **United States Design Patent**
Urquiola

(10) **Patent No.:** **US D580,528 S**

(45) **Date of Patent:** **** Nov. 11, 2008**

(54) **FAUCET SPOUT**

D569,484 S * 5/2008 Urquiola D23/238

(75) Inventor: **Patricia Urquiola**, Milan (IT)

* cited by examiner

(73) Assignee: **Hansgrohe AG** (DE)

Primary Examiner—Robert A Delehanty

(**) Term: **14 Years**

(74) *Attorney, Agent, or Firm*—Leon E. Redman; Lloyd D. Doigan

(21) Appl. No.: **29/283,888**

(57) **CLAIM**

(22) Filed: **Aug. 27, 2007**

The ornamental design for a faucet spout, as shown and described.

(30) **Foreign Application Priority Data**

DESCRIPTION

Feb. 28, 2007 (DE) 4 07 01 257

(51) **LOC (8) Cl.** **23-01**

FIG. 1 is a front perspective view of a faucet spout showing my design;

(52) **U.S. Cl.** **D23/255**

FIG. 2 is a front elevational view thereof;

(58) **Field of Classification Search** D23/255–257,
D23/238–243; 4/675–678; 137/801

FIG. 3 is a rear elevational view thereof;

See application file for complete search history.

FIG. 4 is a left side elevational view thereof; the right side elevational view being a mirror image thereof;

(56) **References Cited**

FIG. 5 is a top plan view thereof; and,

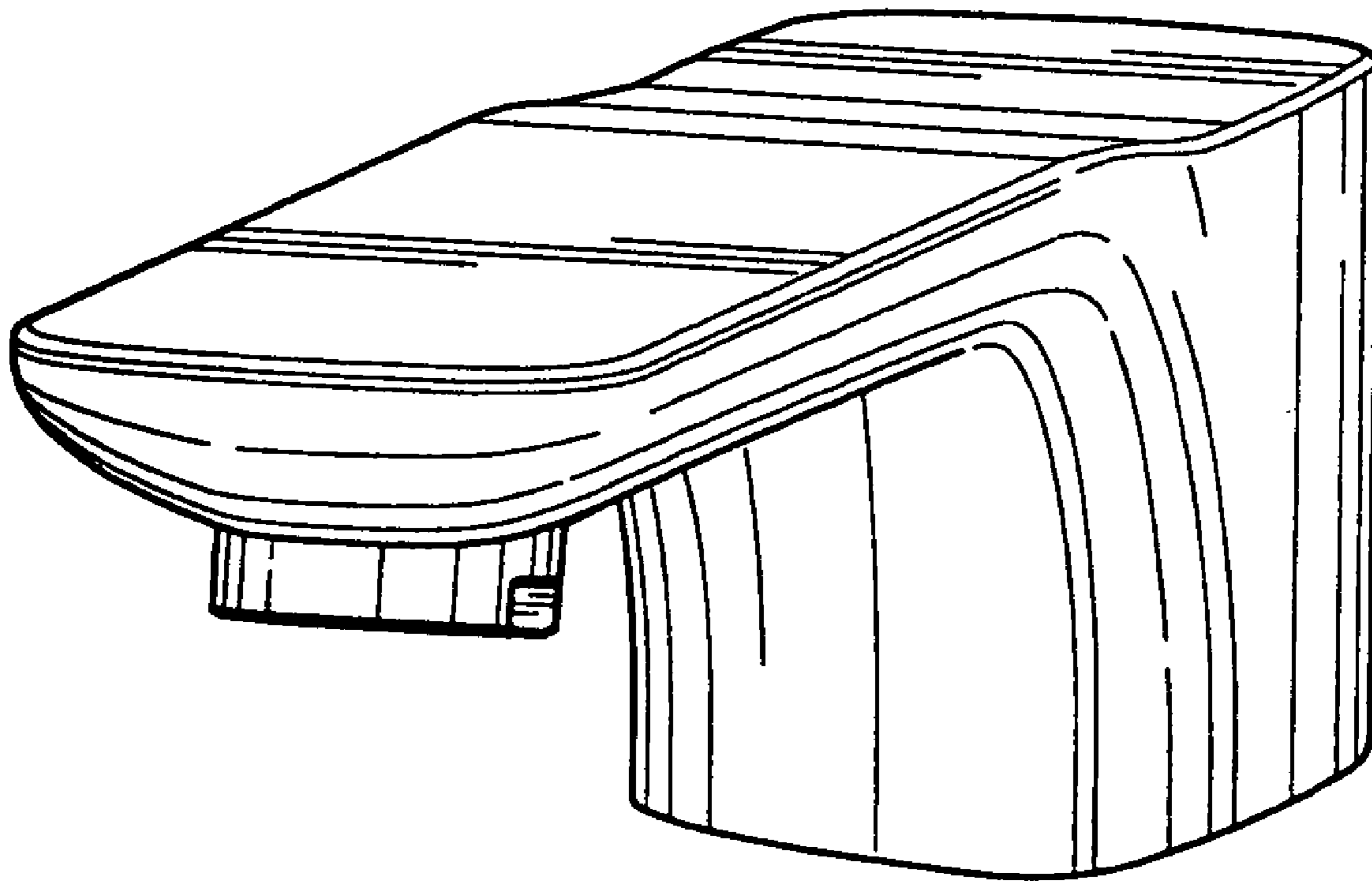
U.S. PATENT DOCUMENTS

FIG. 6 is a bottom plan view thereof.

D557,381 S * 12/2007 Garner D23/241

D568,443 S * 5/2008 Urquiola D23/240

1 Claim, 6 Drawing Sheets



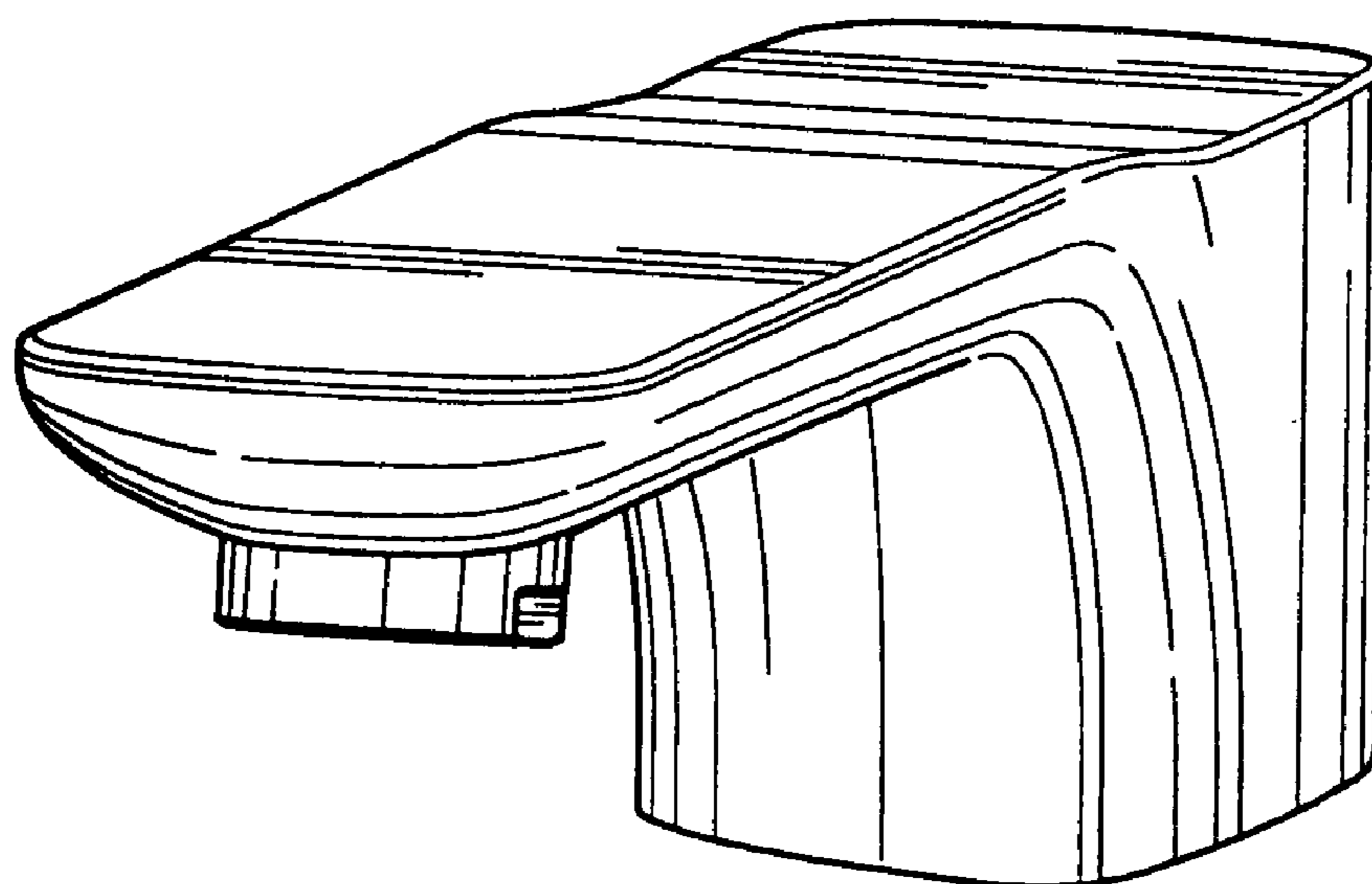


FIG. 1

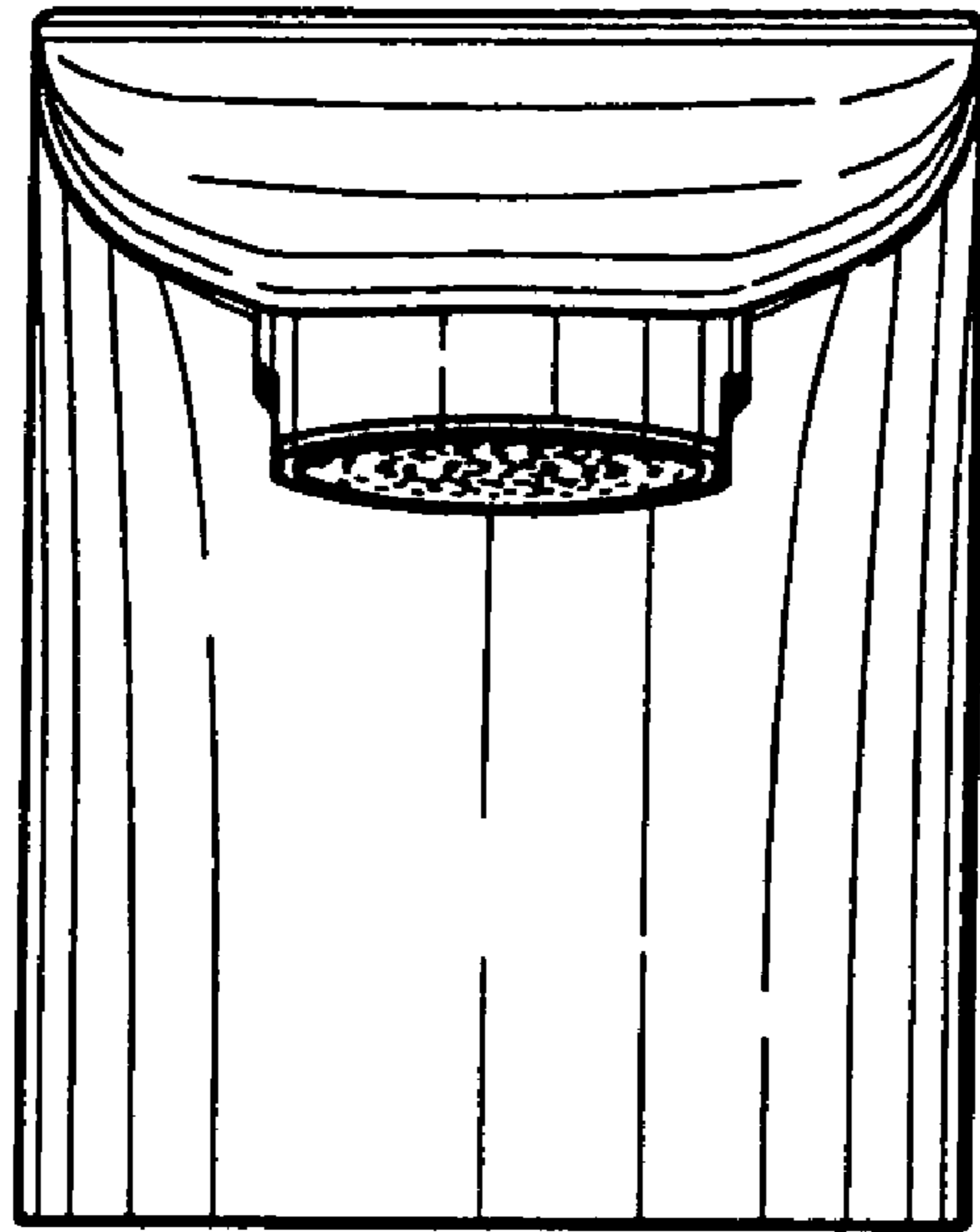


FIG. 2

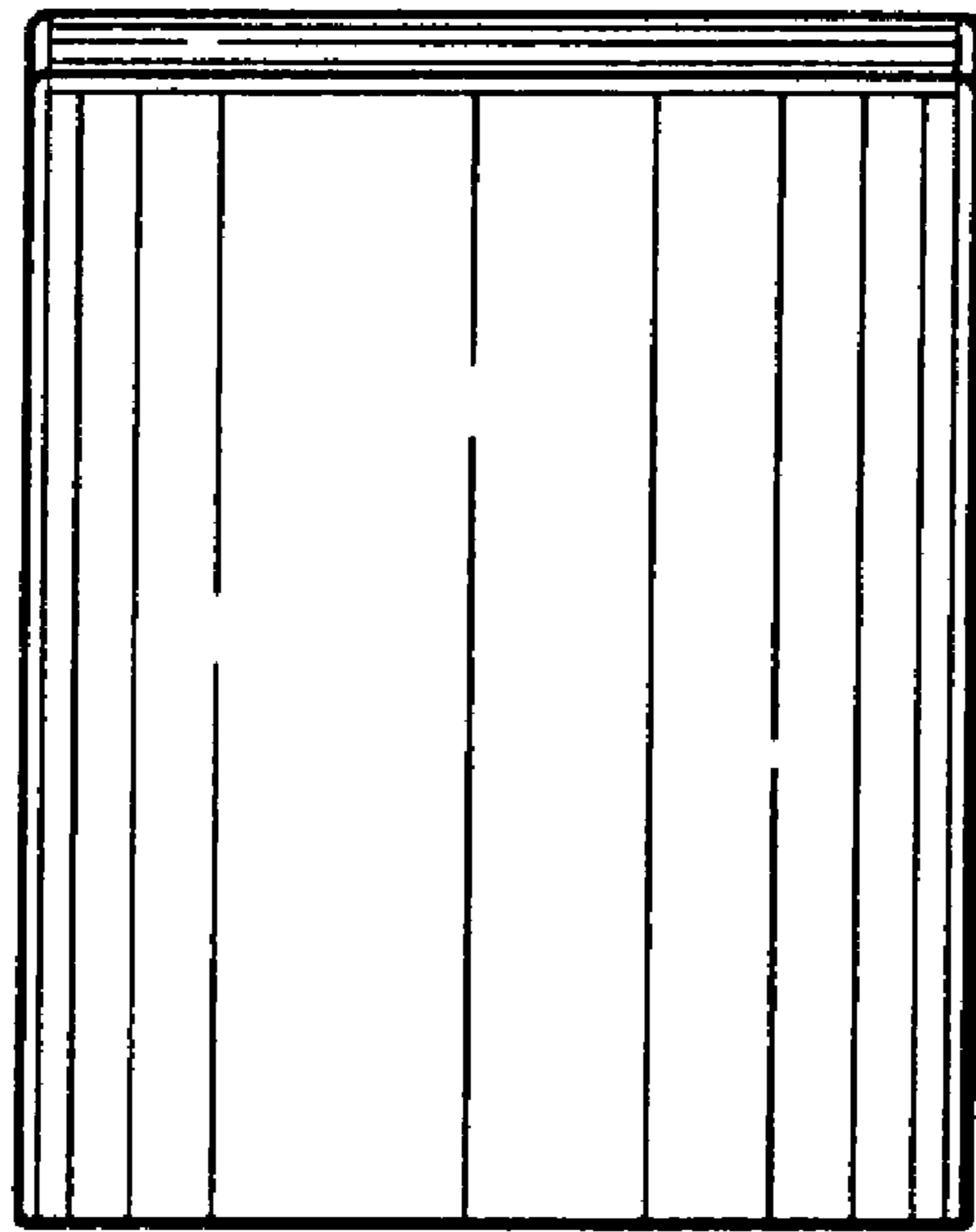


FIG. 3

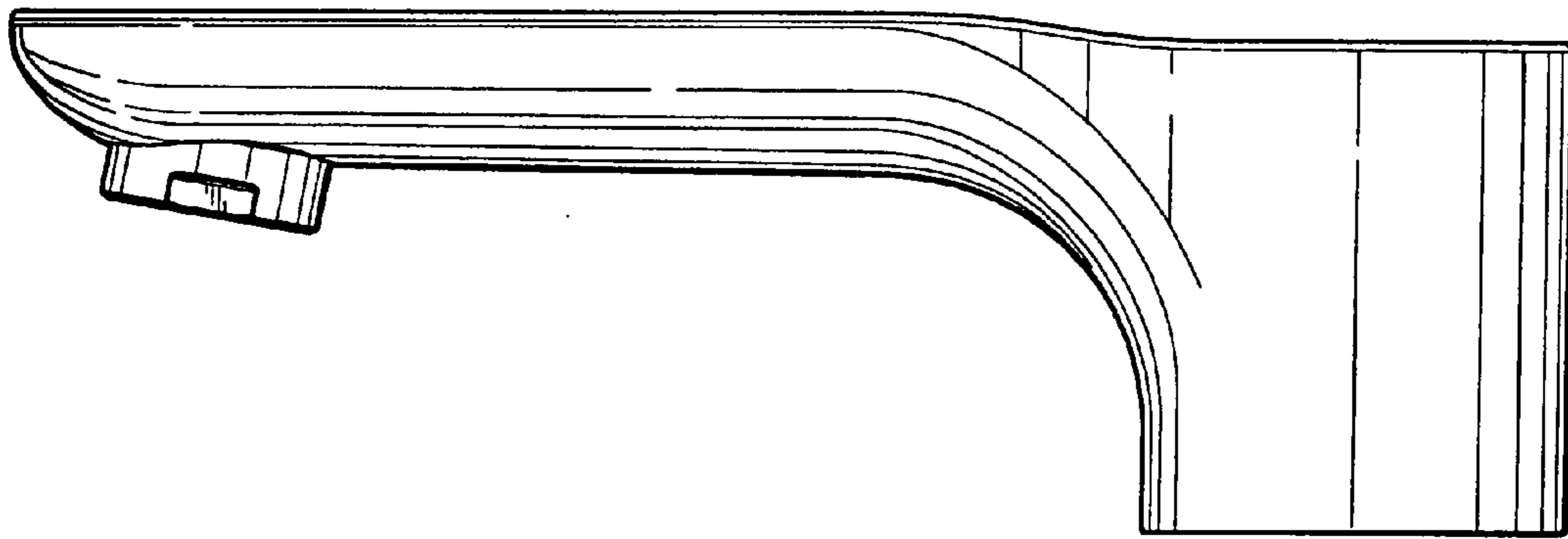


FIG. 4

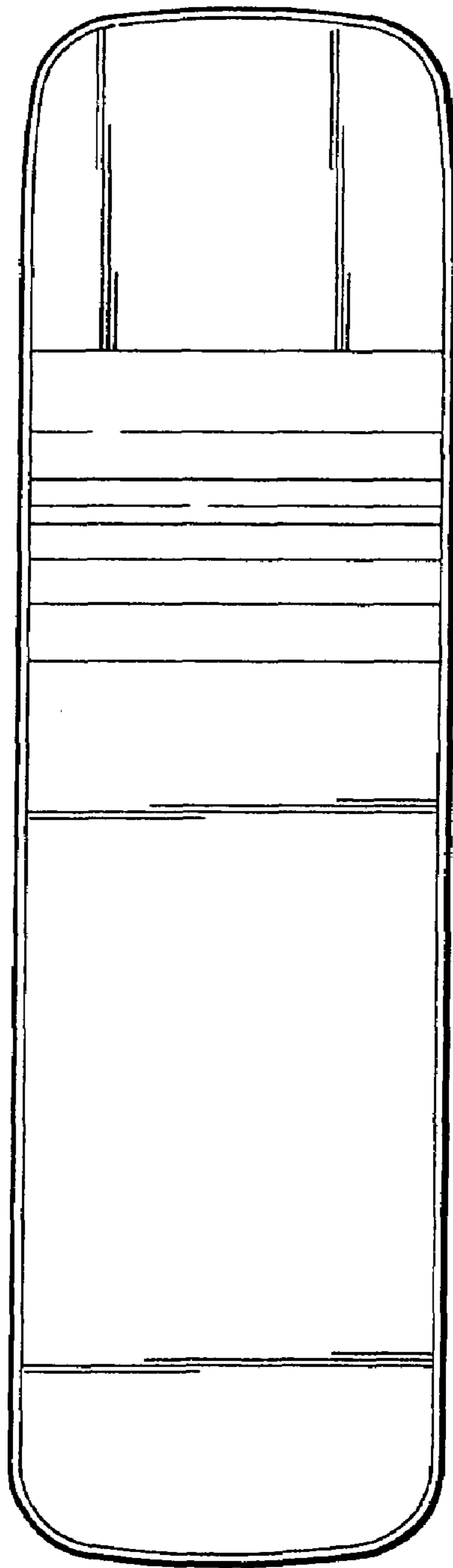


FIG. 5

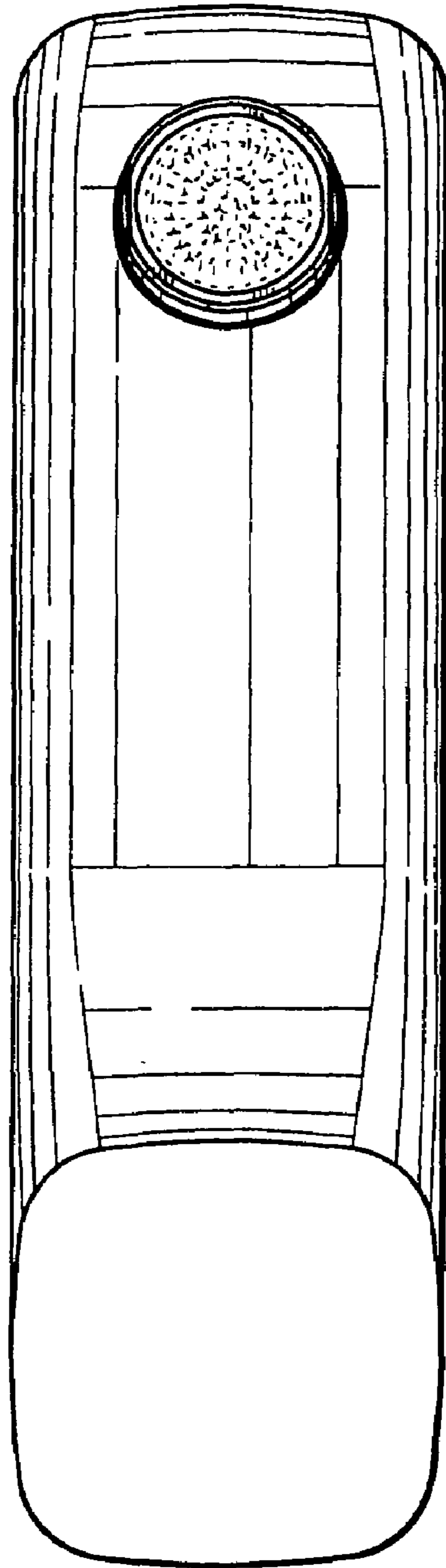


FIG. 6