



US00D580525S

(12) **United States Design Patent**  
**Citterio**

(10) **Patent No.:** **US D580,525 S**

(45) **Date of Patent:** **\*\* Nov. 11, 2008**

(54) **FAUCET ASSEMBLY**

D539,875 S \* 4/2007 Starck ..... D23/254  
D542,384 S \* 5/2007 Starck ..... D23/254

(75) Inventor: **Antonio Citterio**, Milan (IT)

(73) Assignee: **Hansgrohe AG** (DE)

\* cited by examiner

(\*\*) Term: **14 Years**

*Primary Examiner*—Robert A Delehanty

(21) Appl. No.: **29/283,312**

(74) *Attorney, Agent, or Firm*—Leon E. Redman; Lloyd D. Doigan

(22) Filed: **Aug. 10, 2007**

(57) **CLAIM**

(30) **Foreign Application Priority Data**

The ornamental design for a faucet assembly, as shown and described.

Feb. 27, 2007 (EM) ..... 000679303-0020

(51) **LOC (8) Cl.** ..... **23-01**

**DESCRIPTION**

(52) **U.S. Cl.** ..... **D23/254**

FIG. 1 is a front perspective view of a faucet assembly showing my design;

(58) **Field of Classification Search** ..... D23/250,

FIG. 2 is a front elevational view thereof;

D23/252–254, 238–243, 244–249, 304; 4/675–678;  
D8/300, 307–308; D6/550; 137/801; 16/110.1,  
16/441

FIG. 3 is a left side elevational view thereof; the right side elevational view being a mirror image thereof;

See application file for complete search history.

FIG. 4 is a top plan view thereof; and,

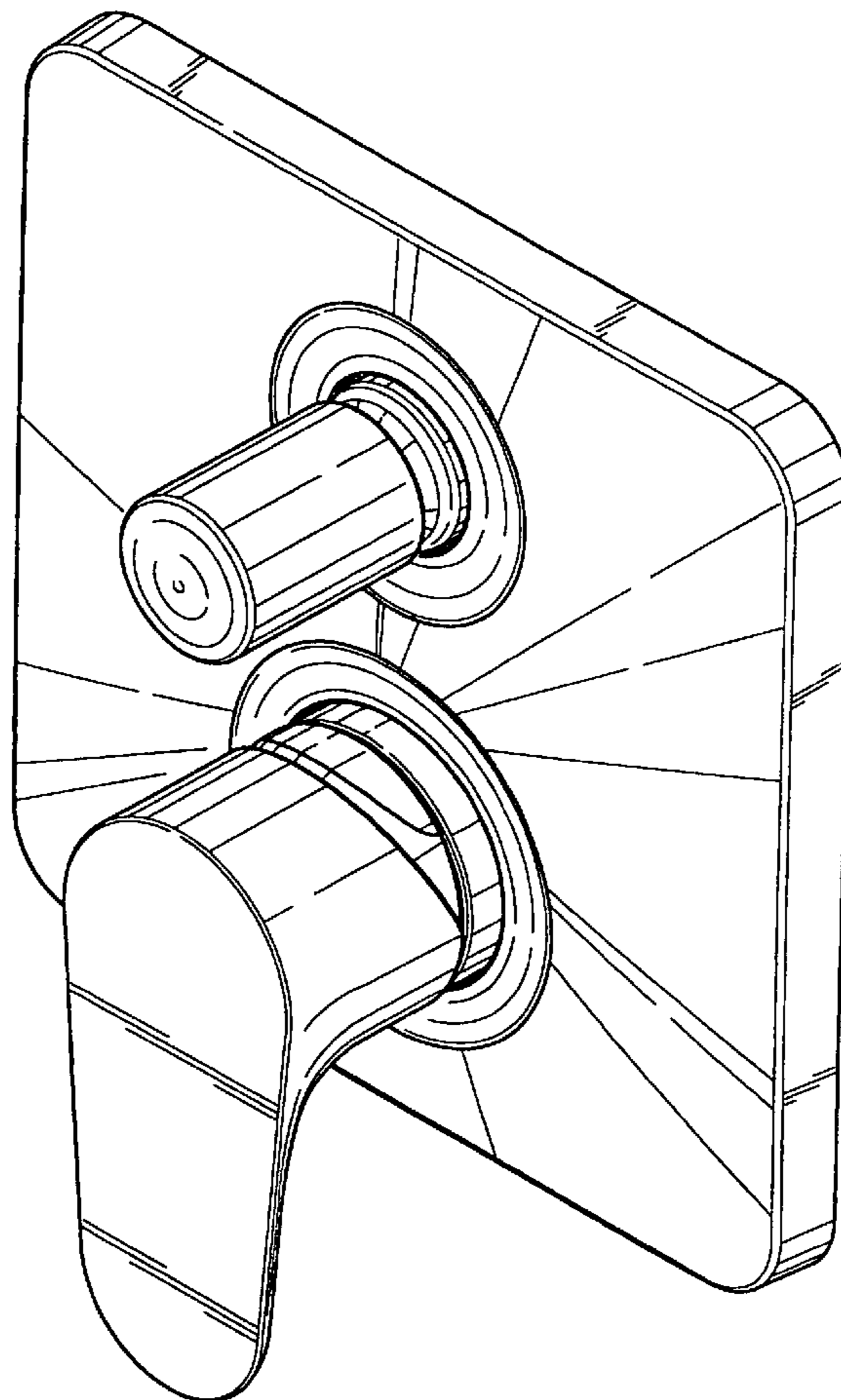
(56) **References Cited**

FIG. 5 is a bottom plan view thereof.

**U.S. PATENT DOCUMENTS**

D373,180 S \* 8/1996 Gottwald ..... D23/254

**1 Claim, 4 Drawing Sheets**



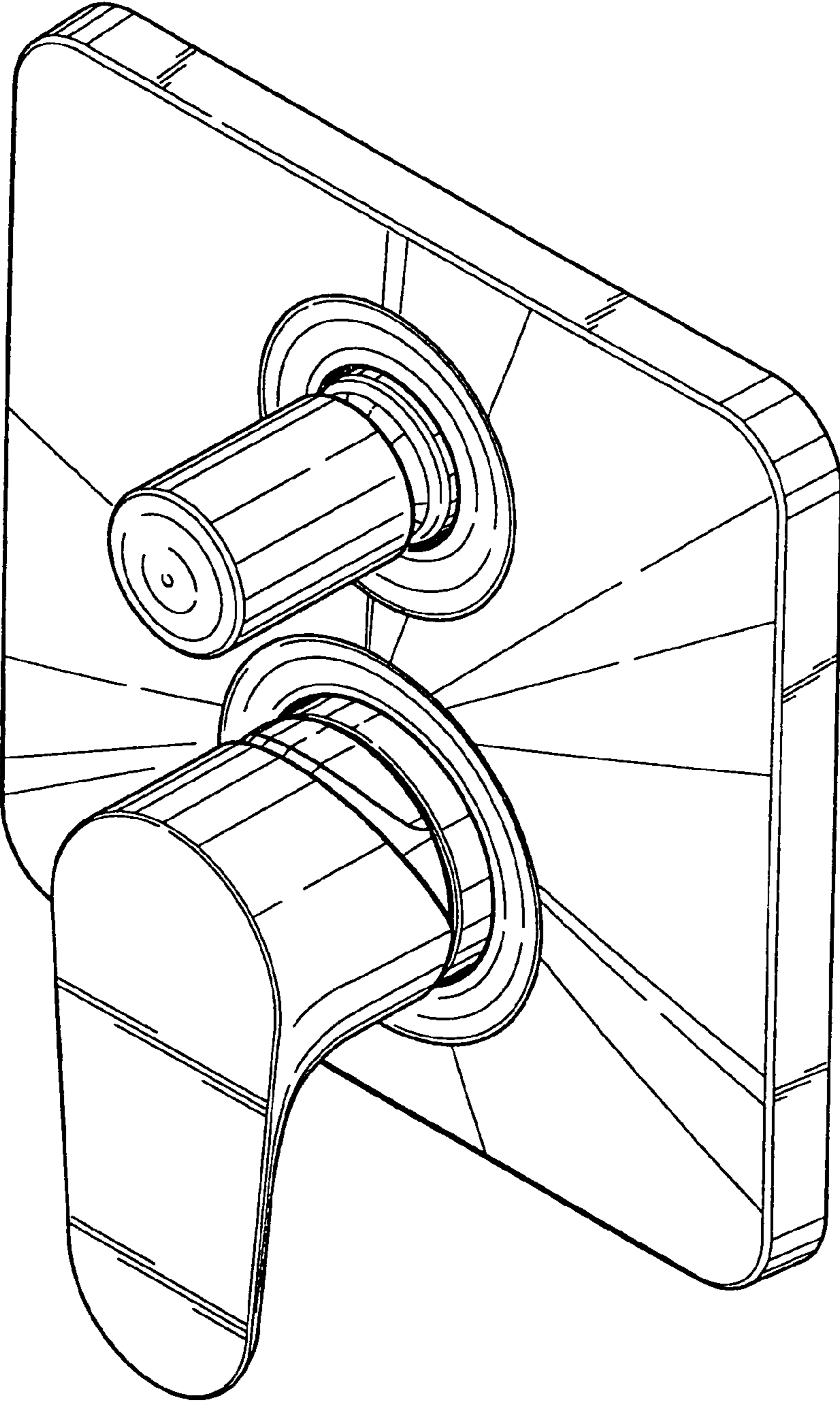


FIG. 1

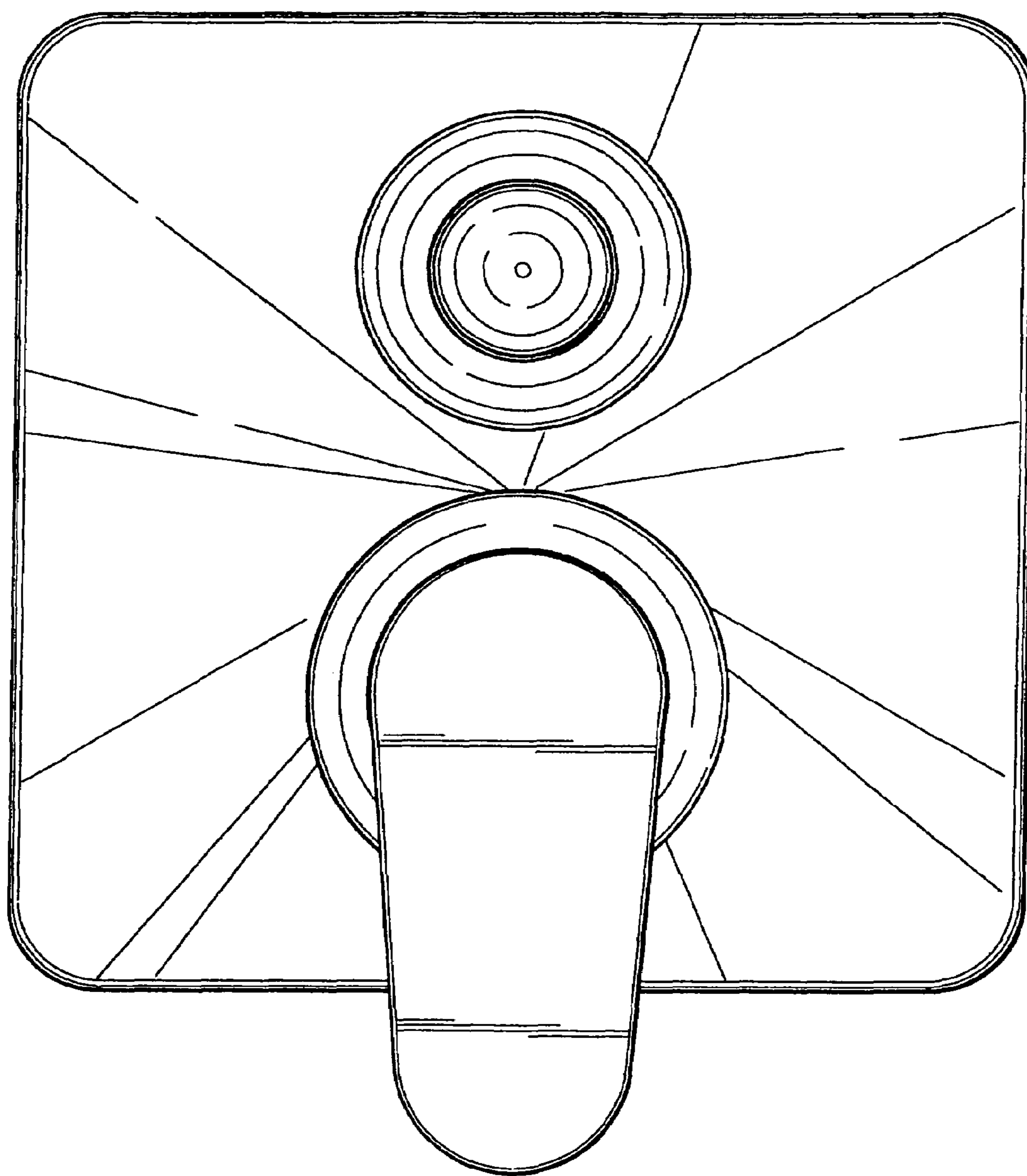


FIG. 2

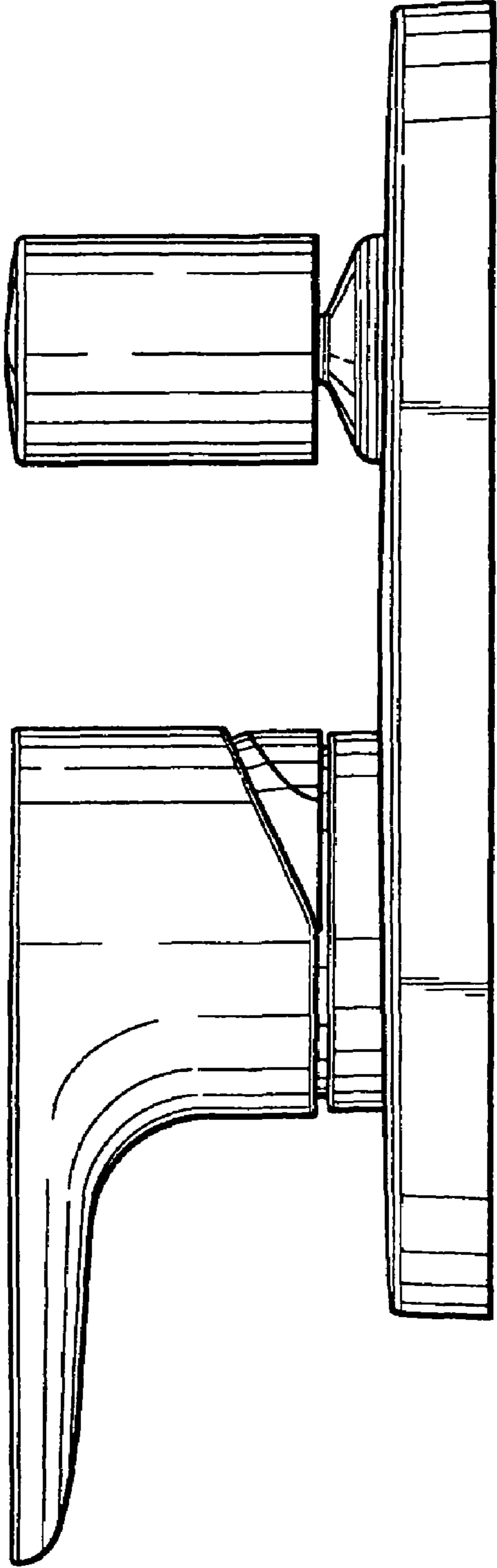


FIG. 3

