



US00D580520S

(12) **United States Design Patent**
Ko

(10) **Patent No.:** **US D580,520 S**

(45) **Date of Patent:** **** Nov. 11, 2008**

(54) **FAUCET SET**

D522,617 S * 6/2006 Egee D23/241
D529,995 S * 10/2006 Smith D23/254

(75) Inventor: **Hsi Chia Ko**, Changhua Hsien (TW)

* cited by examiner

(73) Assignee: **Chung Cheng Faucet Co, Ltd.**,
Changhua Hsien (TW)

Primary Examiner—Robert A. Delehanty

Assistant Examiner—Mark Cavanna

(74) *Attorney, Agent, or Firm*—Troxell Law Office, PLLC

(**) Term: **14 Years**

(57) **CLAIM**

(21) Appl. No.: **29/272,092**

The ornamental design for a faucet set, as shown and described.

(22) Filed: **Feb. 1, 2007**

(51) **LOC (8) Cl.** **23-01**

(52) **U.S. Cl.** **D23/241**

(58) **Field of Classification Search** D23/200,
D23/238–257; D6/512, 546, 550; D8/300,
D8/307–308, 310–312, 321; 4/675–678;
137/801; 16/110.1, 441

See application file for complete search history.

DESCRIPTION

FIG. 1 is a perspective view of a faucet set showing my new design;

FIG. 2 is a front view thereof;

FIG. 3 is a rear view thereof;

FIG. 4 is a left side view thereof;

FIG. 5 is a right side view thereof;

FIG. 6 is a top view thereof;

FIG. 7 is a bottom view thereof;

FIG. 8 is the first operational embodiment thereof; and,

FIG. 9 is the second operational embodiment thereof.

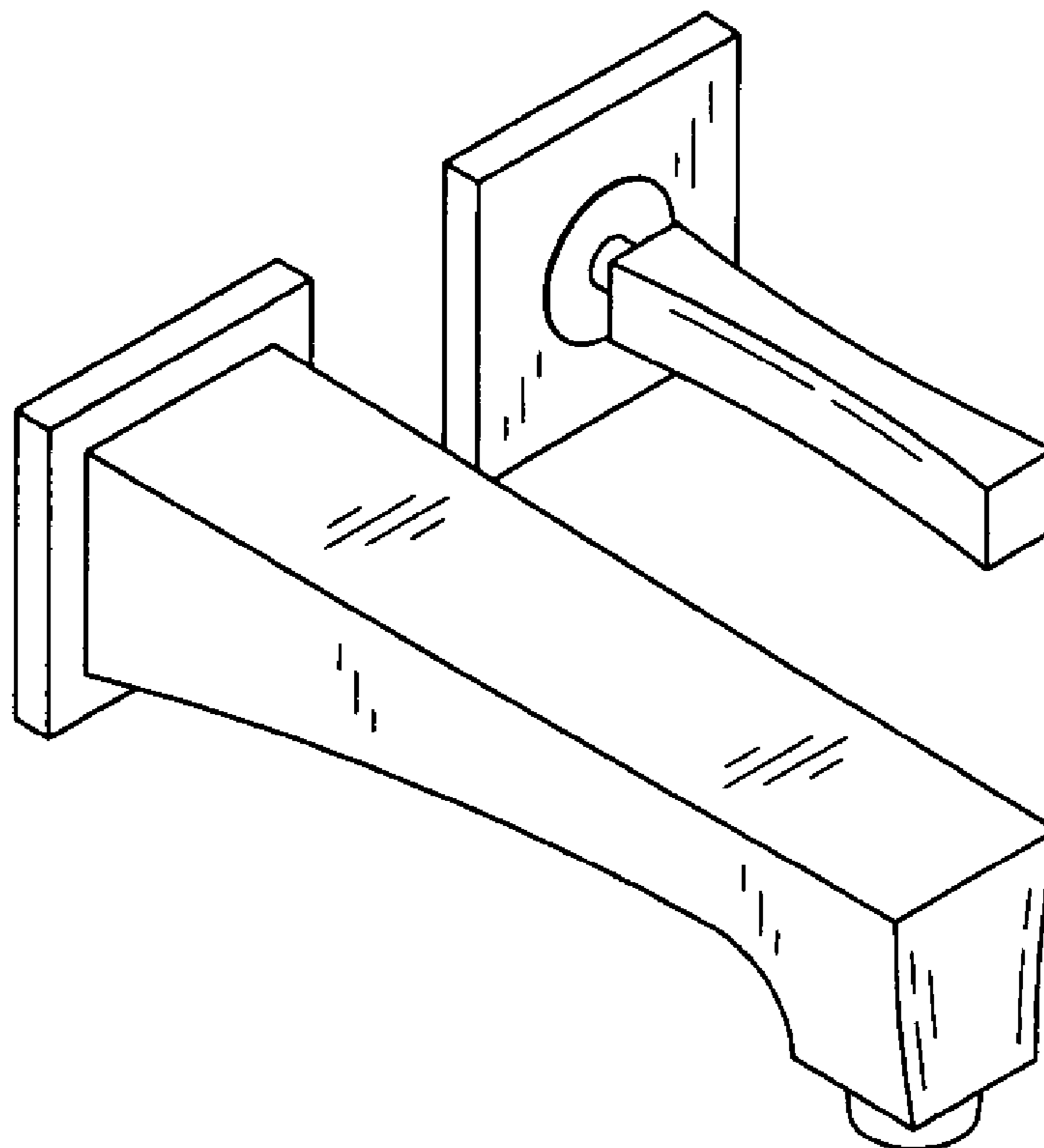
The broken lines are included for the purpose of illustrating a portion of the faucet set that forms no part of the claimed design.

(56) **References Cited**

U.S. PATENT DOCUMENTS

D312,118 S *	11/1990	Son	D23/238
D410,069 S *	5/1999	Lobermeier	D23/243
D421,486 S *	3/2000	Slothower et al.	D23/255
D457,603 S *	5/2002	Lobermeier	D23/242
D476,063 S *	6/2003	Haug et al.	D23/238
D492,754 S *	7/2004	Blattner	D23/238
D513,635 S *	1/2006	Haug et al.	D23/238
D514,200 S *	1/2006	Starck	D23/238
D514,664 S *	2/2006	Starck	D23/238

1 Claim, 6 Drawing Sheets



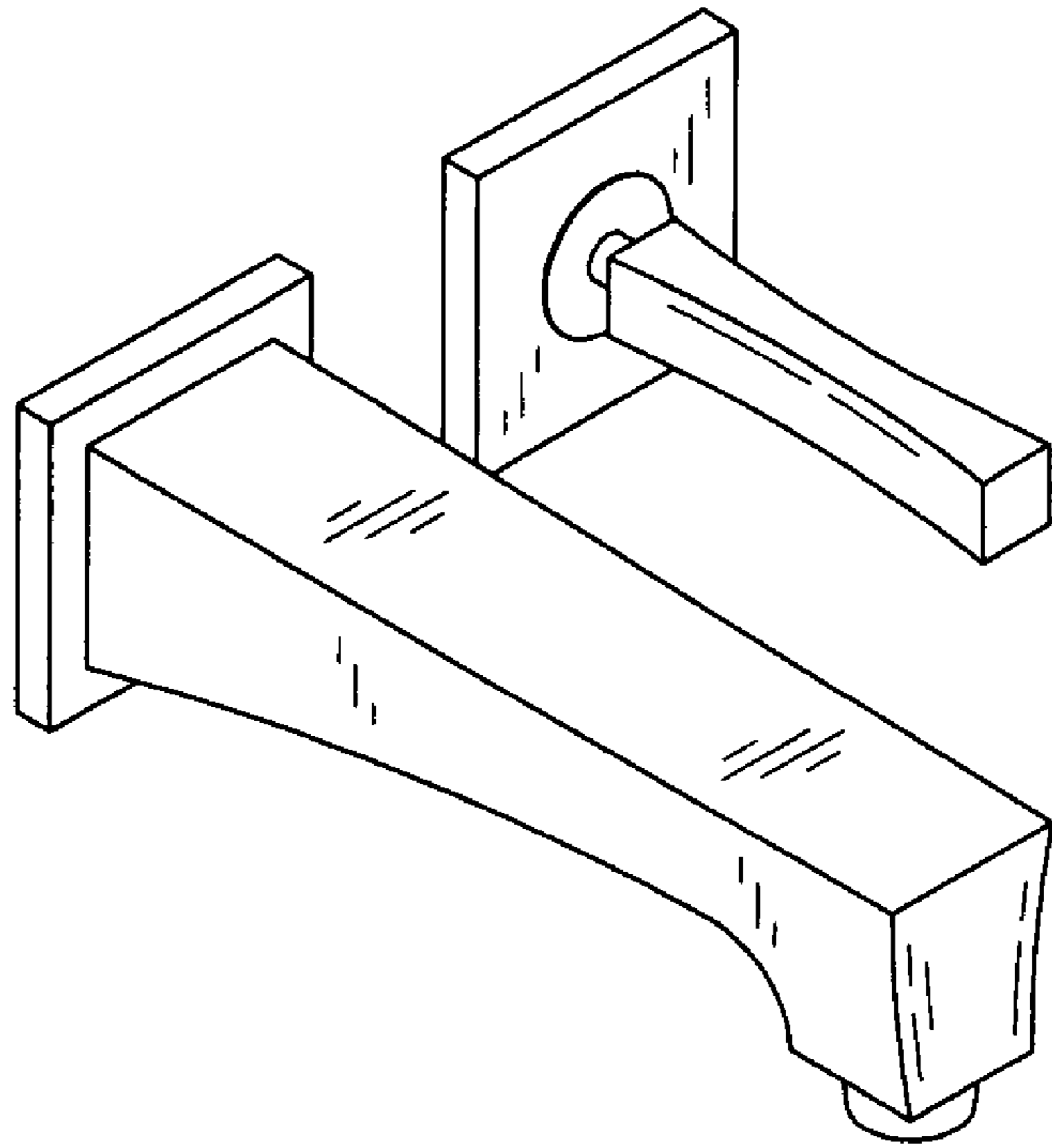


FIG. 1

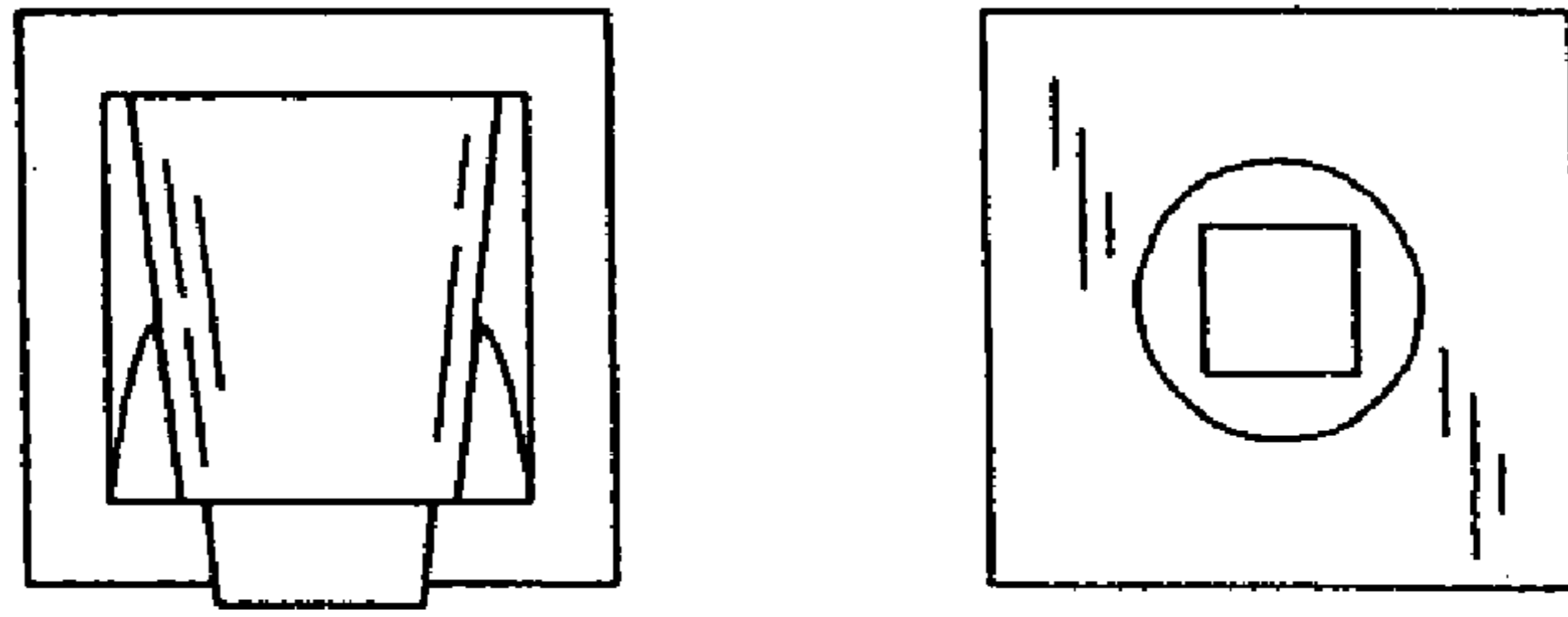


FIG. 2

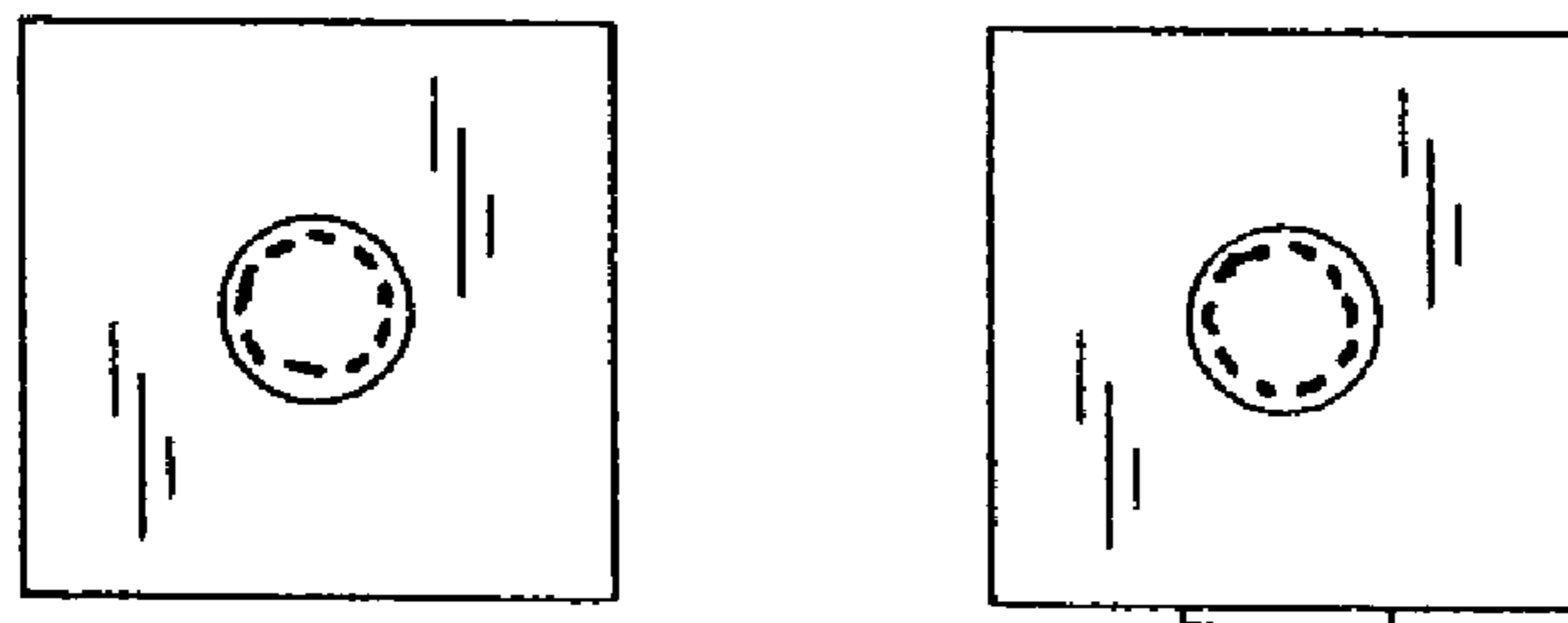


FIG. 3

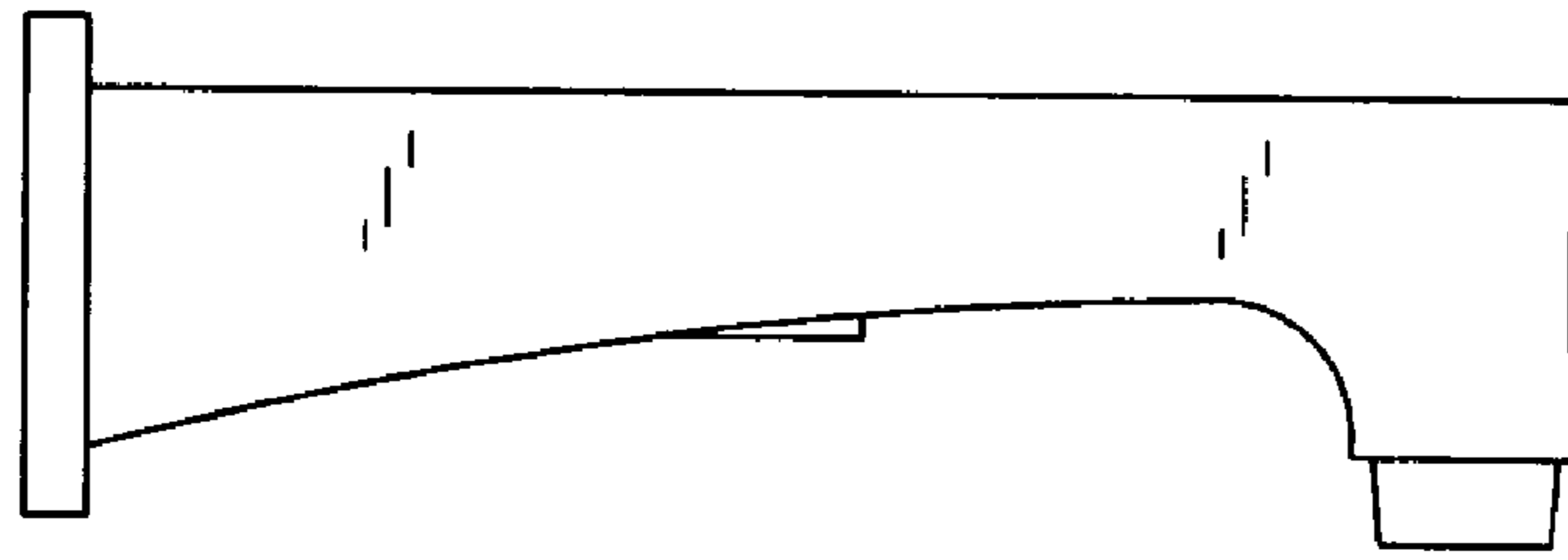


FIG. 4

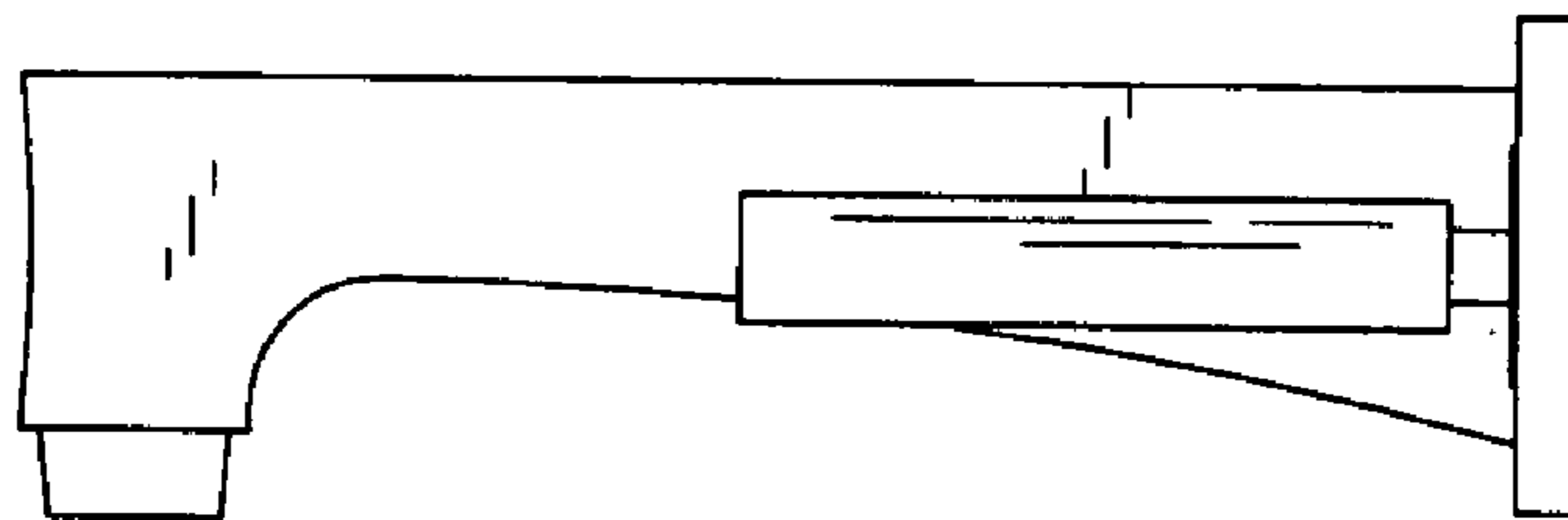


FIG. 5

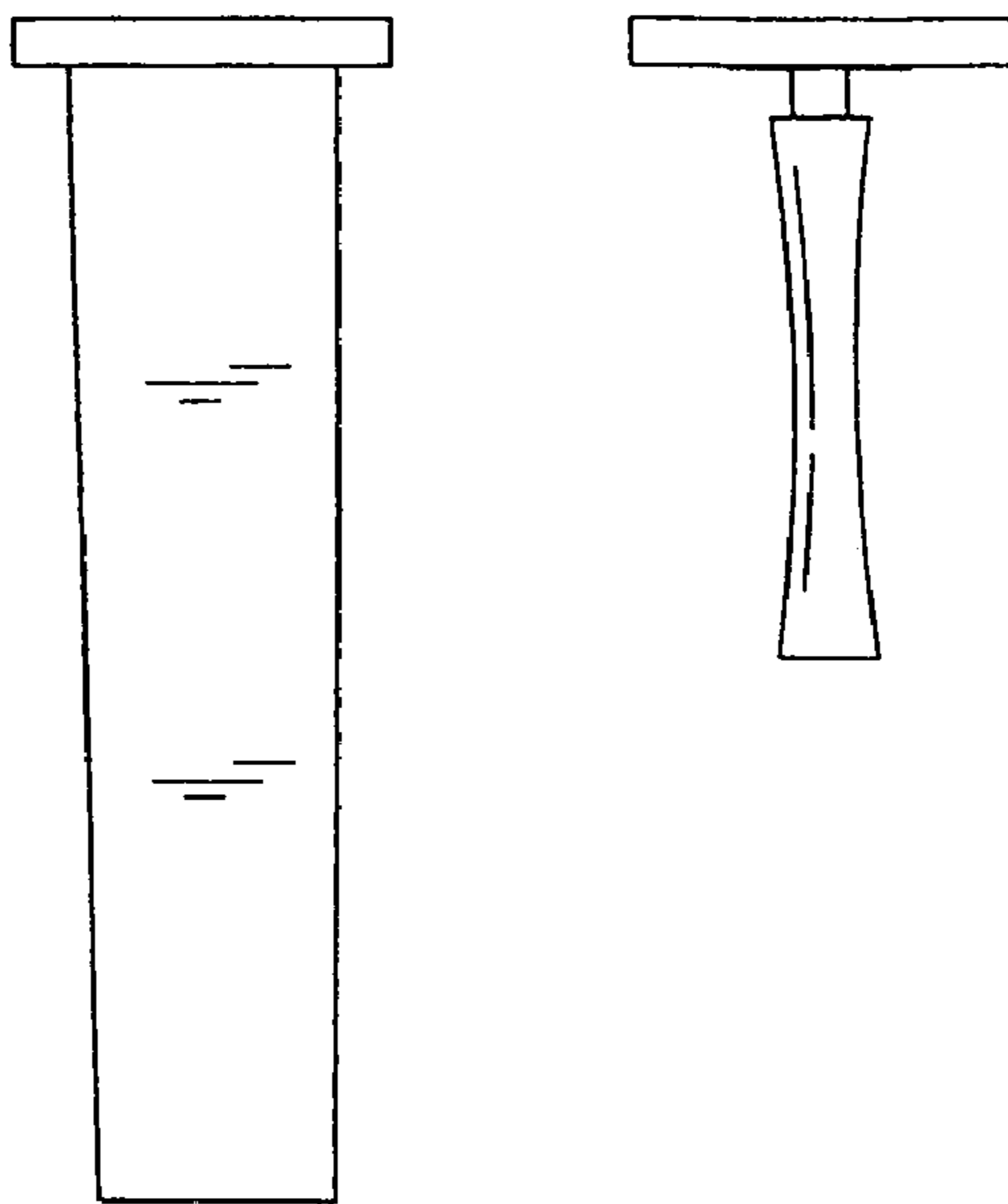


FIG. 6

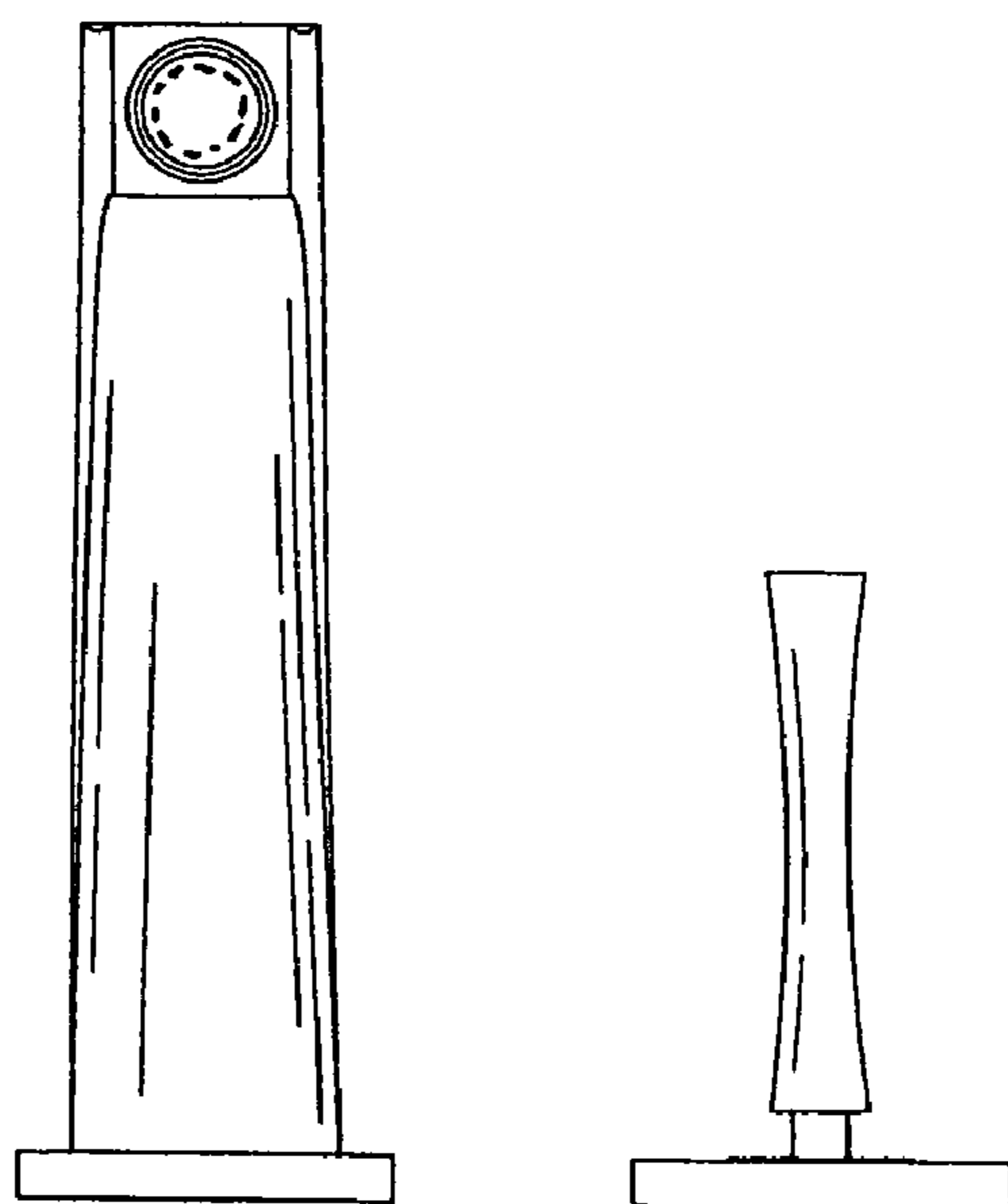


FIG. 7

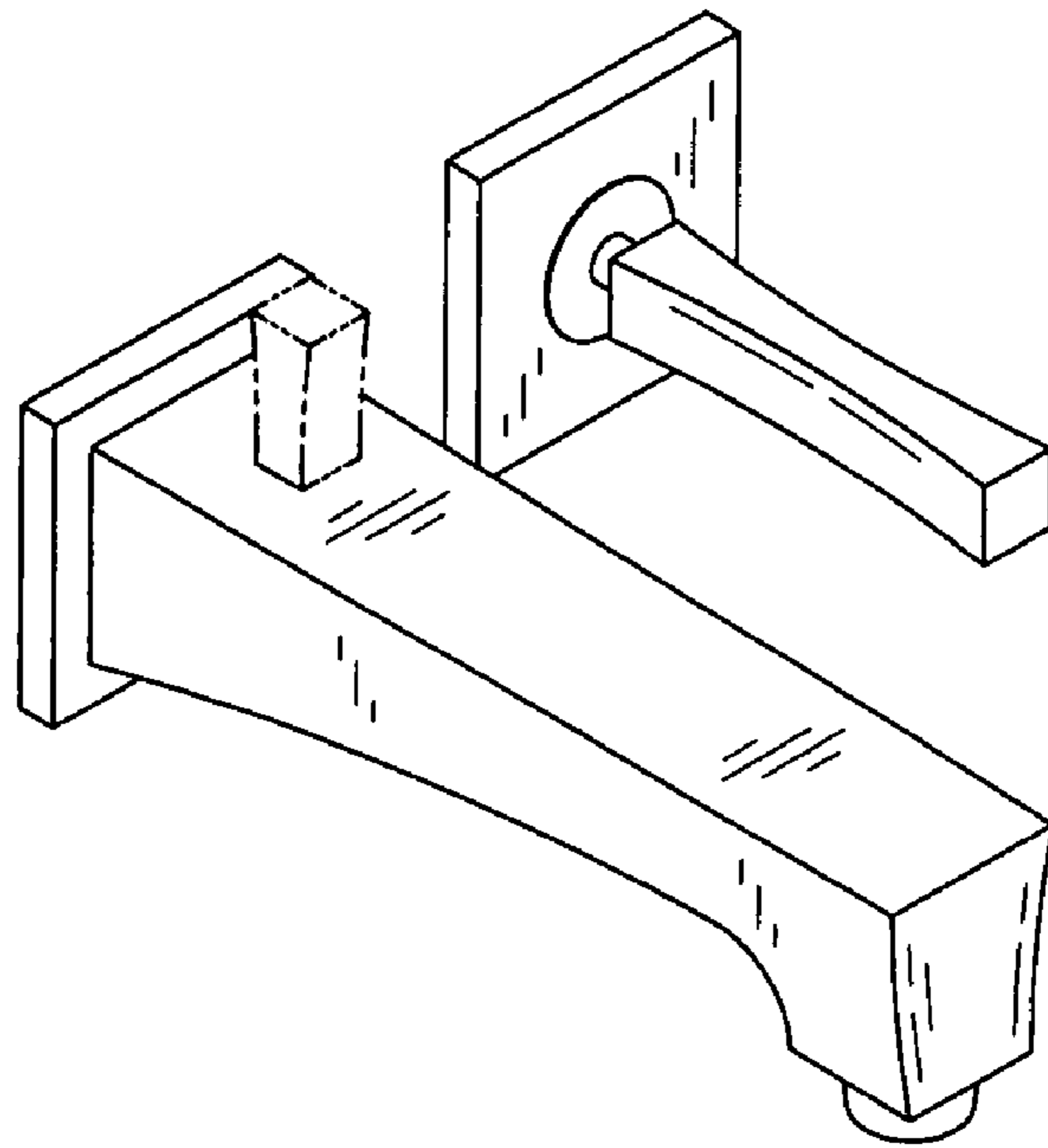


FIG. 8

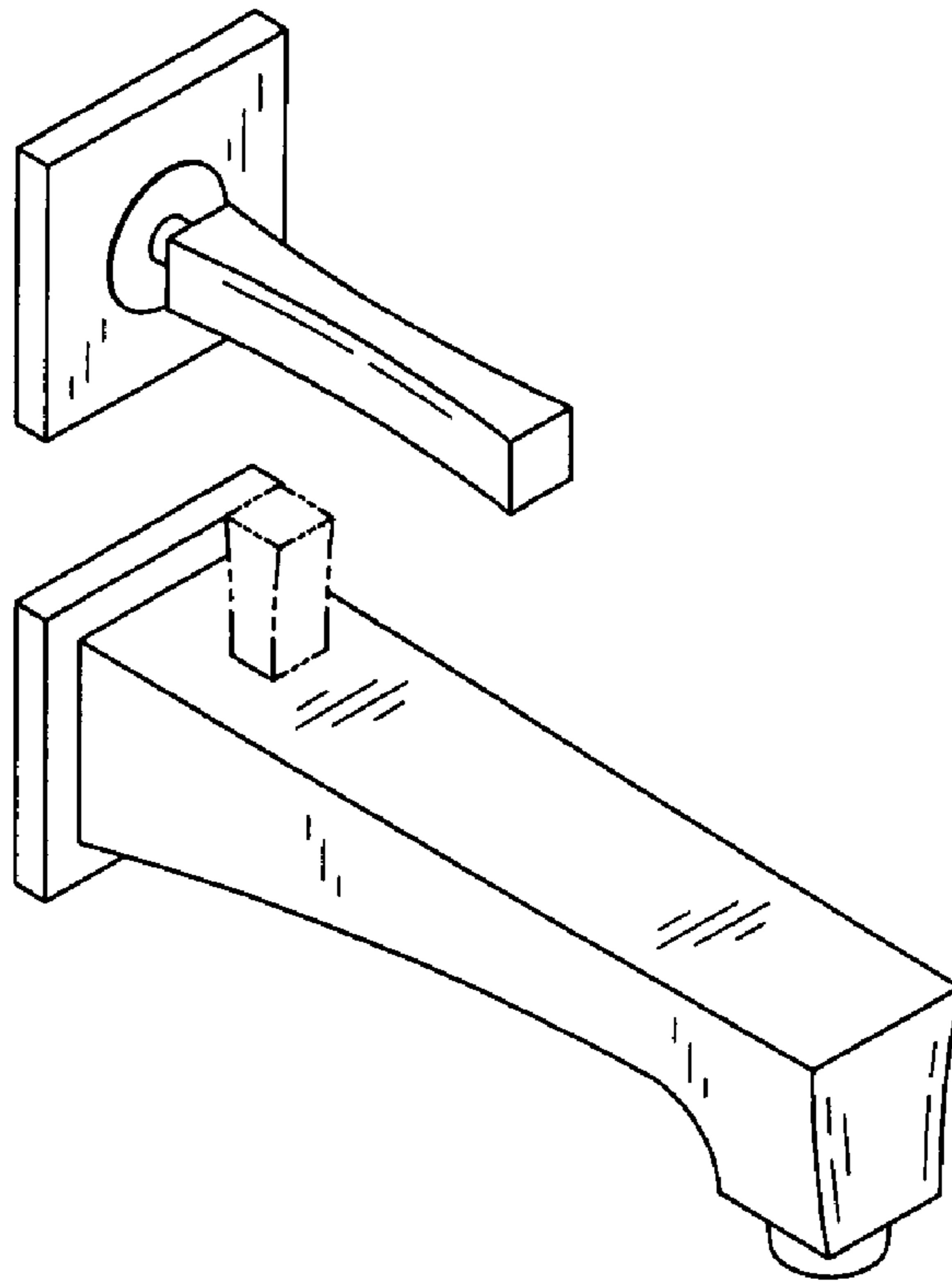


FIG. 9