



US00D580518S

(12) **United States Design Patent**
Johnson et al.

(10) **Patent No.:** **US D580,518 S**

(45) **Date of Patent:** **** Nov. 11, 2008**

(54) **AIRLESS PAINT SPRAYER**

(75) Inventors: **Harold D. Johnson**, Buffalo, MN (US);
Dale C. Pemberton, Rockford, MN
(US); **Diane L. Olson**, Princeton, MN
(US); **William M. Blenkush**, Becker,
MN (US); **Jason P. Iverson**, Monticello,
MN (US); **Steve R. Blanchette**, Otsego,
MN (US)

(73) Assignee: **Graco Minnesota Inc.**, Minneapolis,
MN (US)

(**) Term: **14 Years**

(21) Appl. No.: **29/304,829**

(22) Filed: **Mar. 7, 2008**

(51) **LOC (8) Cl.** **23-10**

(52) **U.S. Cl.** **D23/225**

(58) **Field of Classification Search** D23/213,
D23/225; 239/146, 147, 150; 401/48
See application file for complete search history.

(56) **References Cited**

U.S. PATENT DOCUMENTS

2,243,610	A	5/1941	Spreng	
3,940,065	A	2/1976	Ware et al.	
4,003,504	A	1/1977	Johnson et al.	
D310,117	S *	8/1990	Mariol D23/225
5,217,238	A	6/1993	Cyphers et al.	
5,286,045	A	2/1994	Cyphers et al.	
5,441,297	A	8/1995	Krohn et al.	
5,567,323	A	10/1996	Harrison, Jr.	
5,622,480	A	4/1997	Walsh	
5,947,137	A	9/1999	Sheafer	
D427,283	S *	6/2000	Bower et al. D23/225
D429,314	S *	8/2000	Bower et al. D23/225
D463,888	S	10/2002	Rehkugler et al.	

6,488,846	B1	12/2002	Marangi	
D560,271	S *	1/2008	Kesti et al. D23/225
2005/0133625	A1	6/2005	McLeod	
2006/0102745	A1	5/2006	Dexter	
2006/0104825	A1	5/2006	Etter et al.	

OTHER PUBLICATIONS

Brochure—"Electric Sprayers: The Industry's First Choice For Airless Electric Sprayers," Graco Inc., Minneapolis, Minnesota, © Nov. 2007.

* cited by examiner

Primary Examiner—Robin V Webster

(74) *Attorney, Agent, or Firm*—Douglas B. Farrow

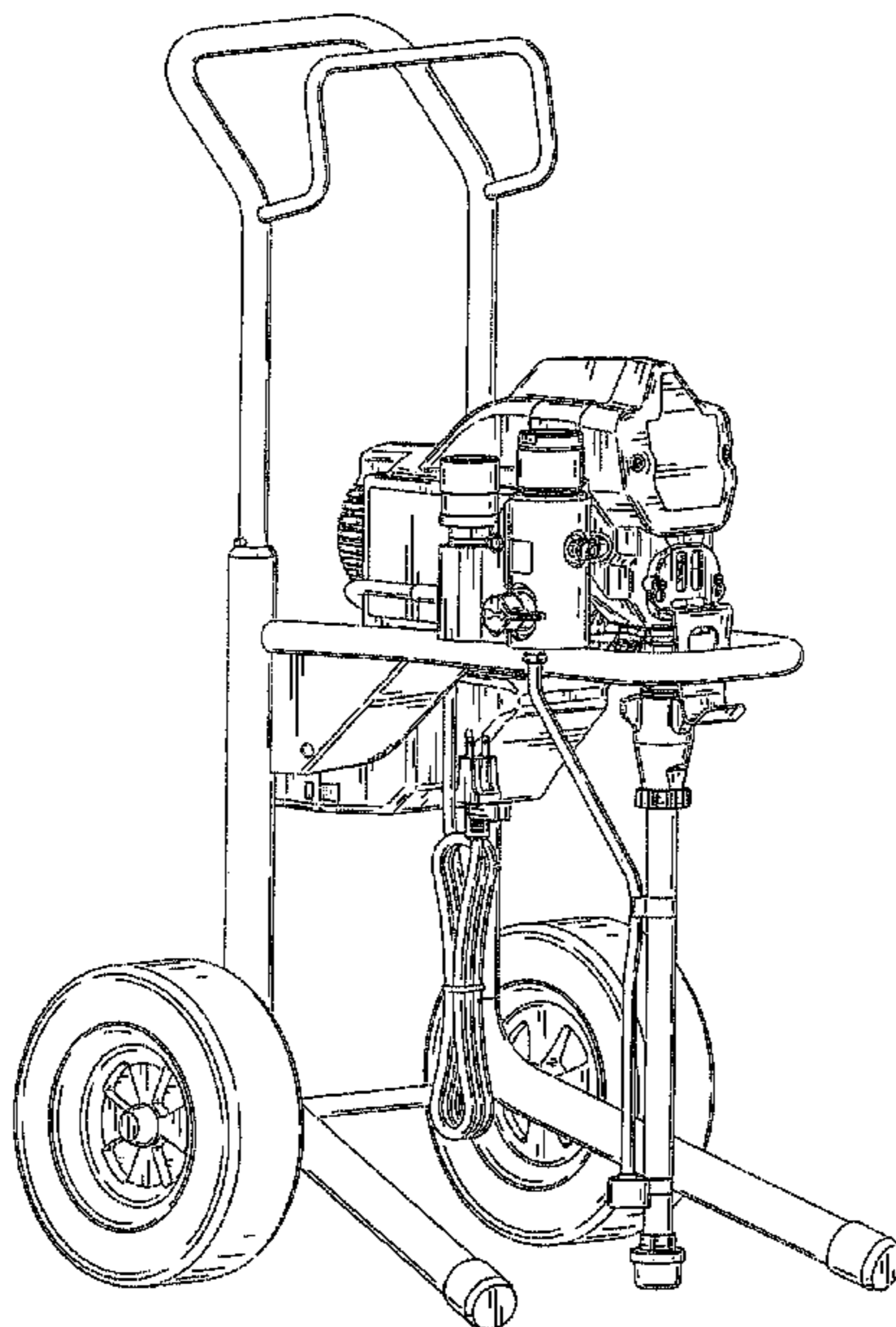
(57) **CLAIM**

The ornamental design for the airless paint sprayer, as shown and described.

DESCRIPTION

FIG. 1 is a front perspective view of the airless paint sprayer; FIG. 2 is a rear perspective view thereof; FIG. 3 is a top elevation view thereof; FIG. 4 is a front elevation view thereof; FIG. 5 is a right side elevation view thereof; FIG. 6 is a left side elevation view thereof; FIG. 7 is a front perspective view of an alternate embodiment of the airless paint sprayer; FIG. 8 is a rear perspective view thereof; FIG. 9 is a top elevation view thereof; FIG. 10 is a front elevation view thereof; FIG. 11 is a right side elevation view thereof; and, FIG. 12 is a left side elevation view thereof.

1 Claim, 12 Drawing Sheets



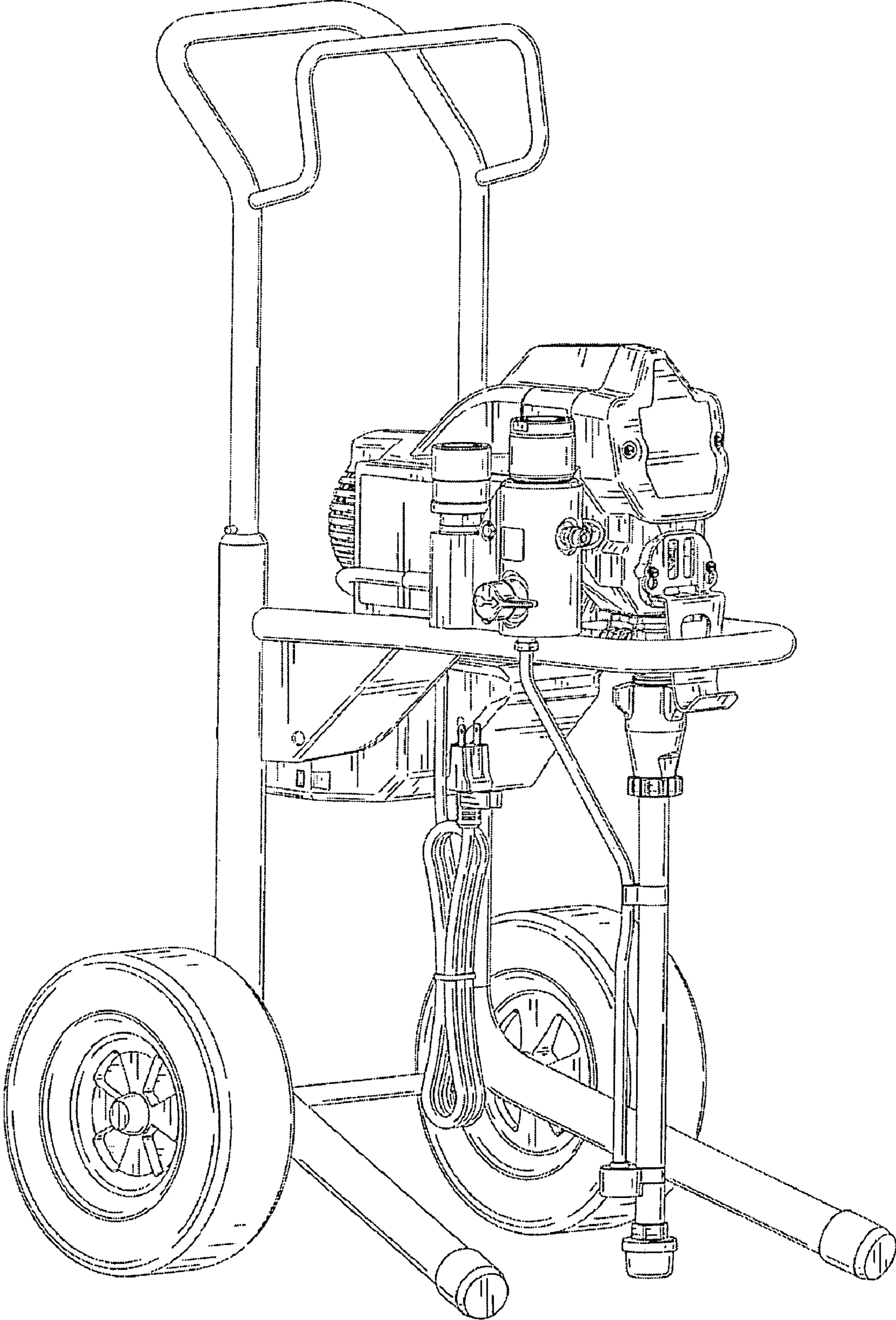


FIG. 1

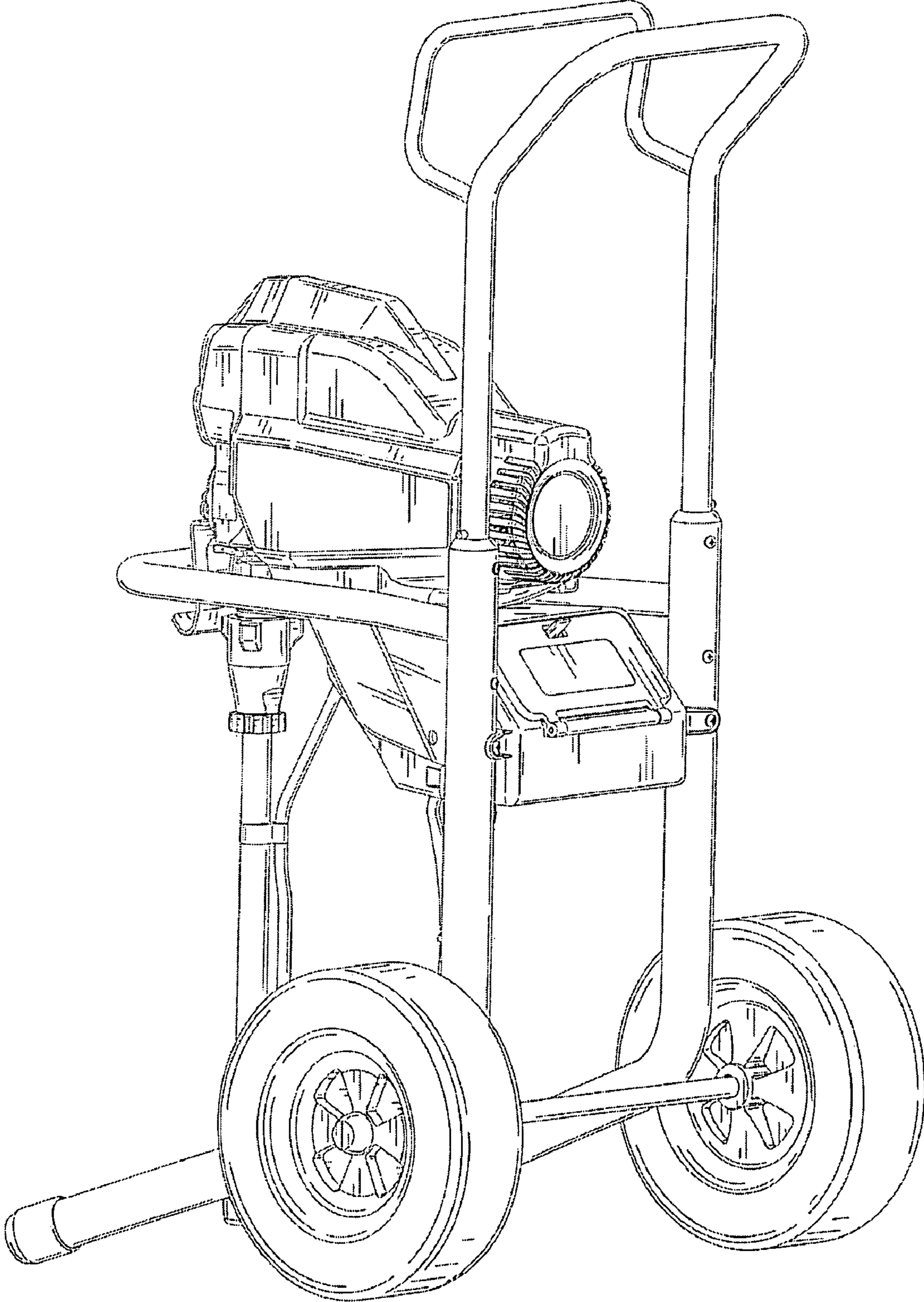


FIG. 2

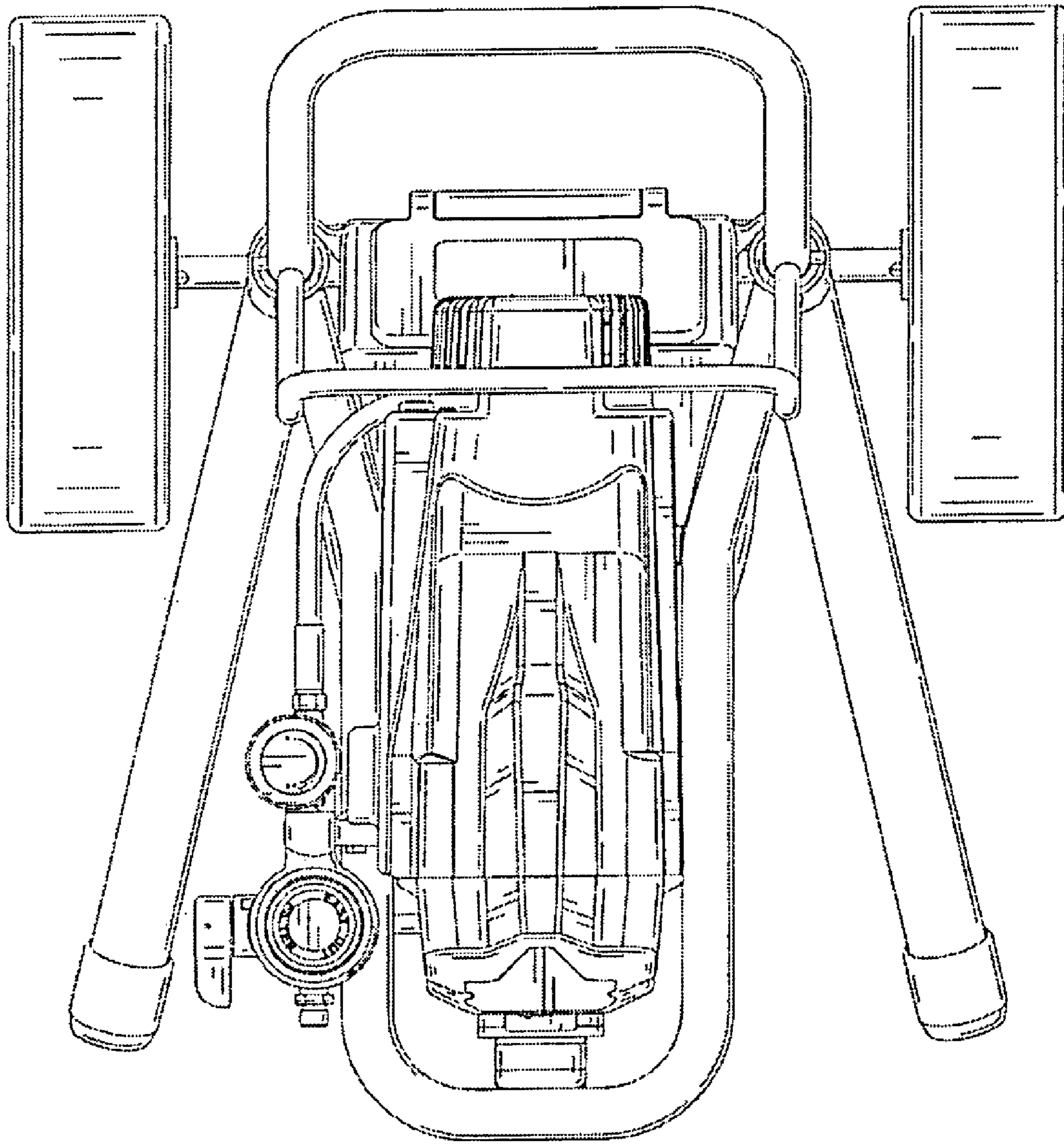


FIG. 3

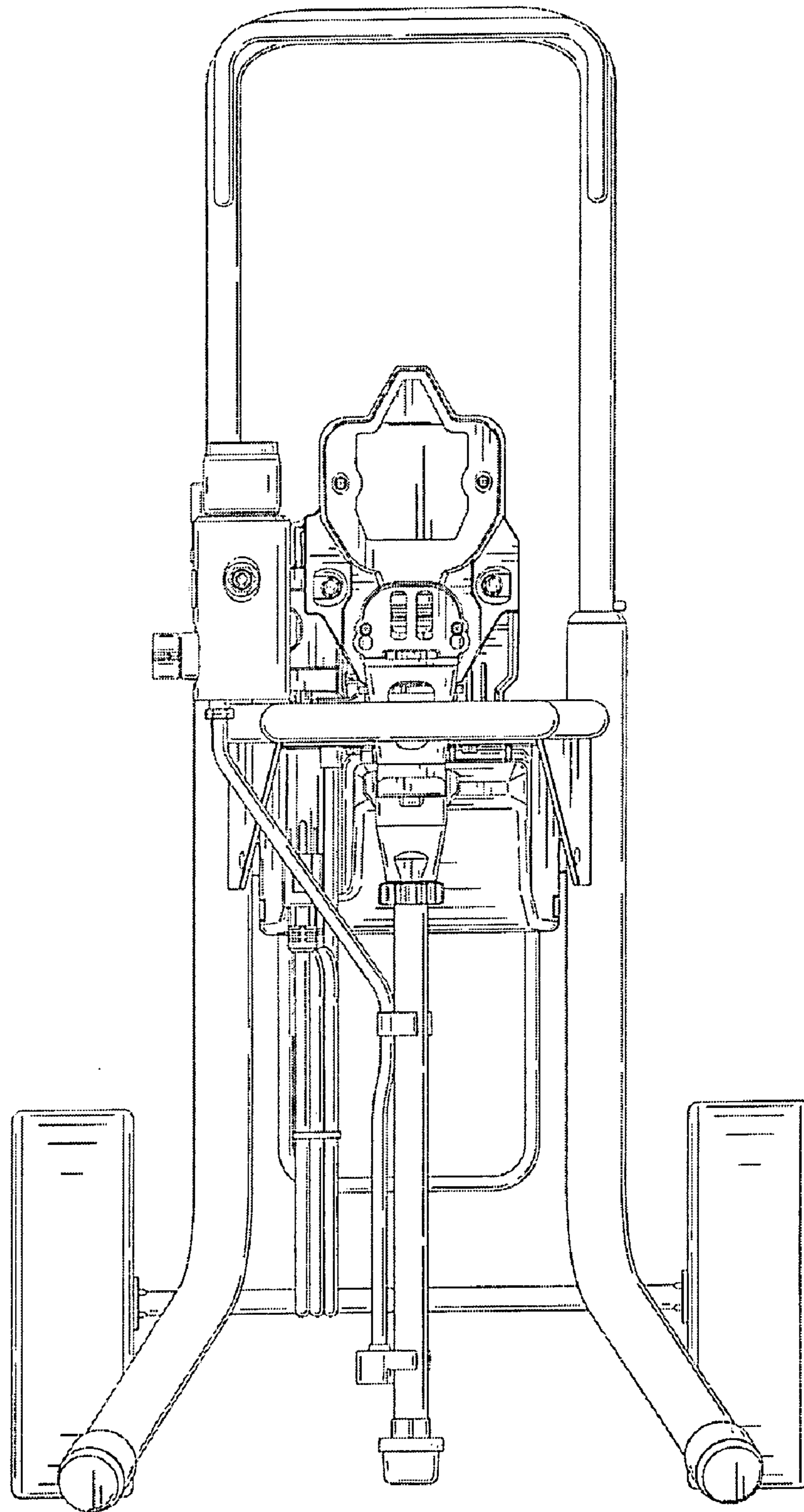


FIG. 4

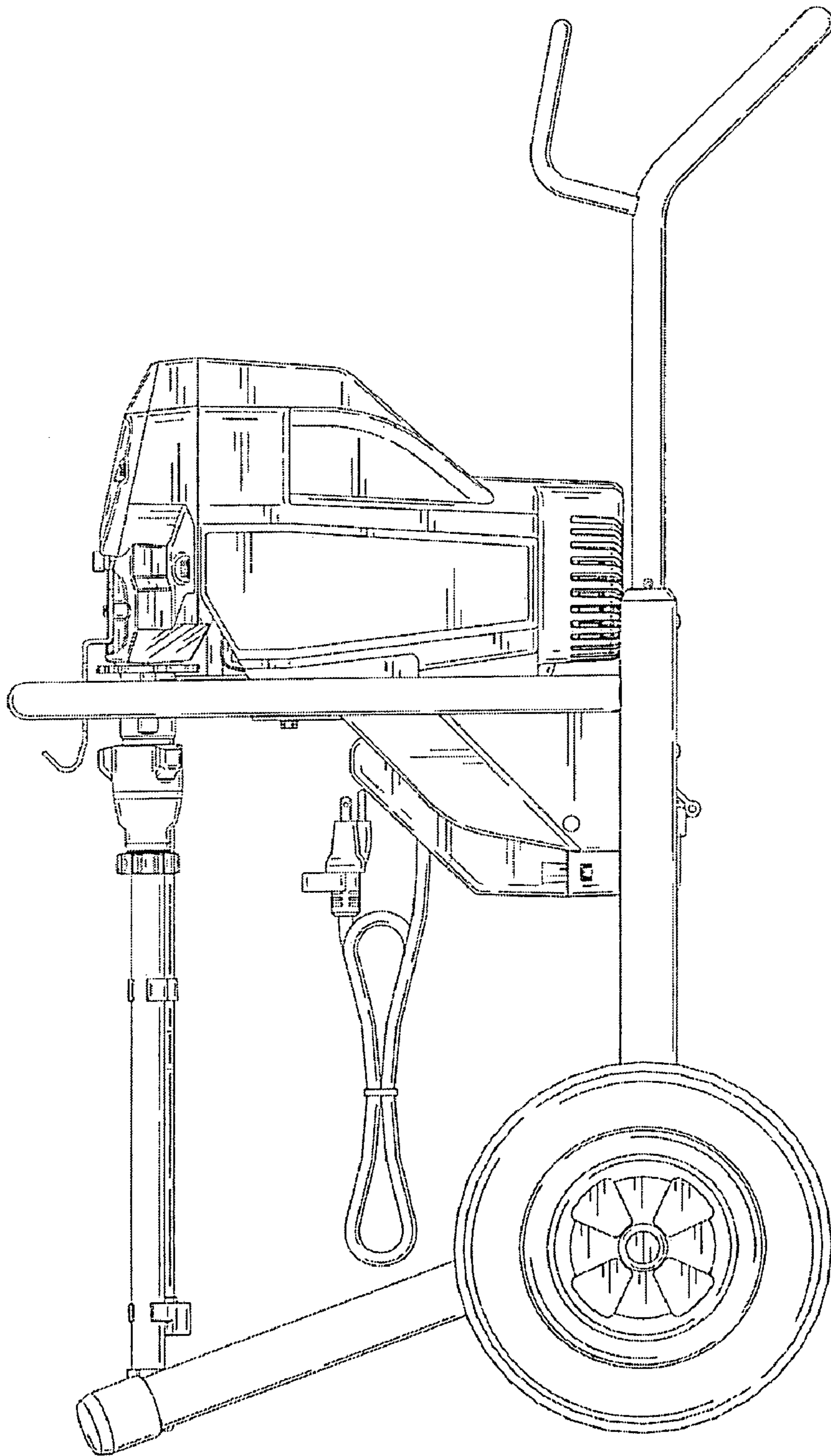


FIG. 5

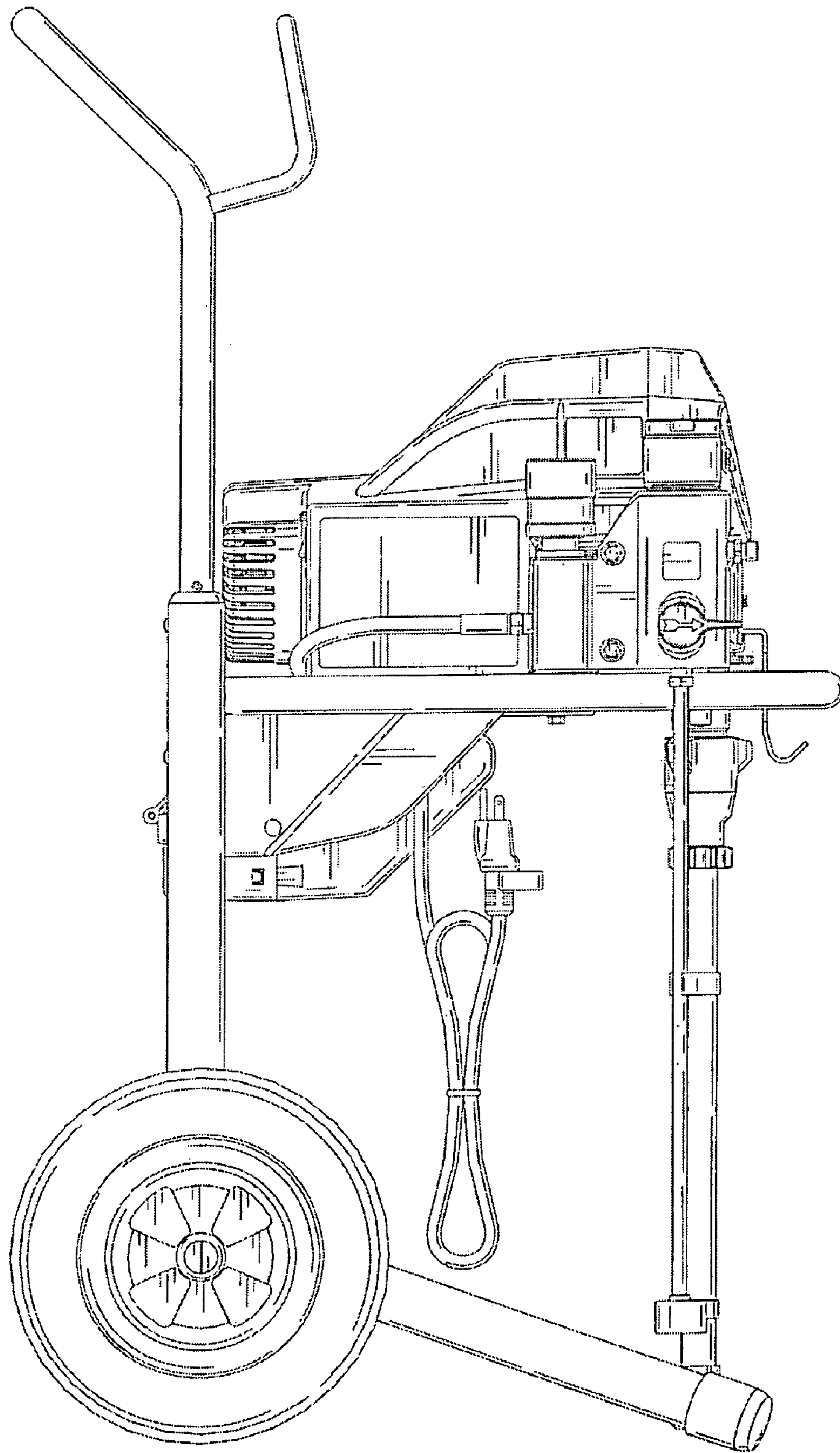


FIG. 6

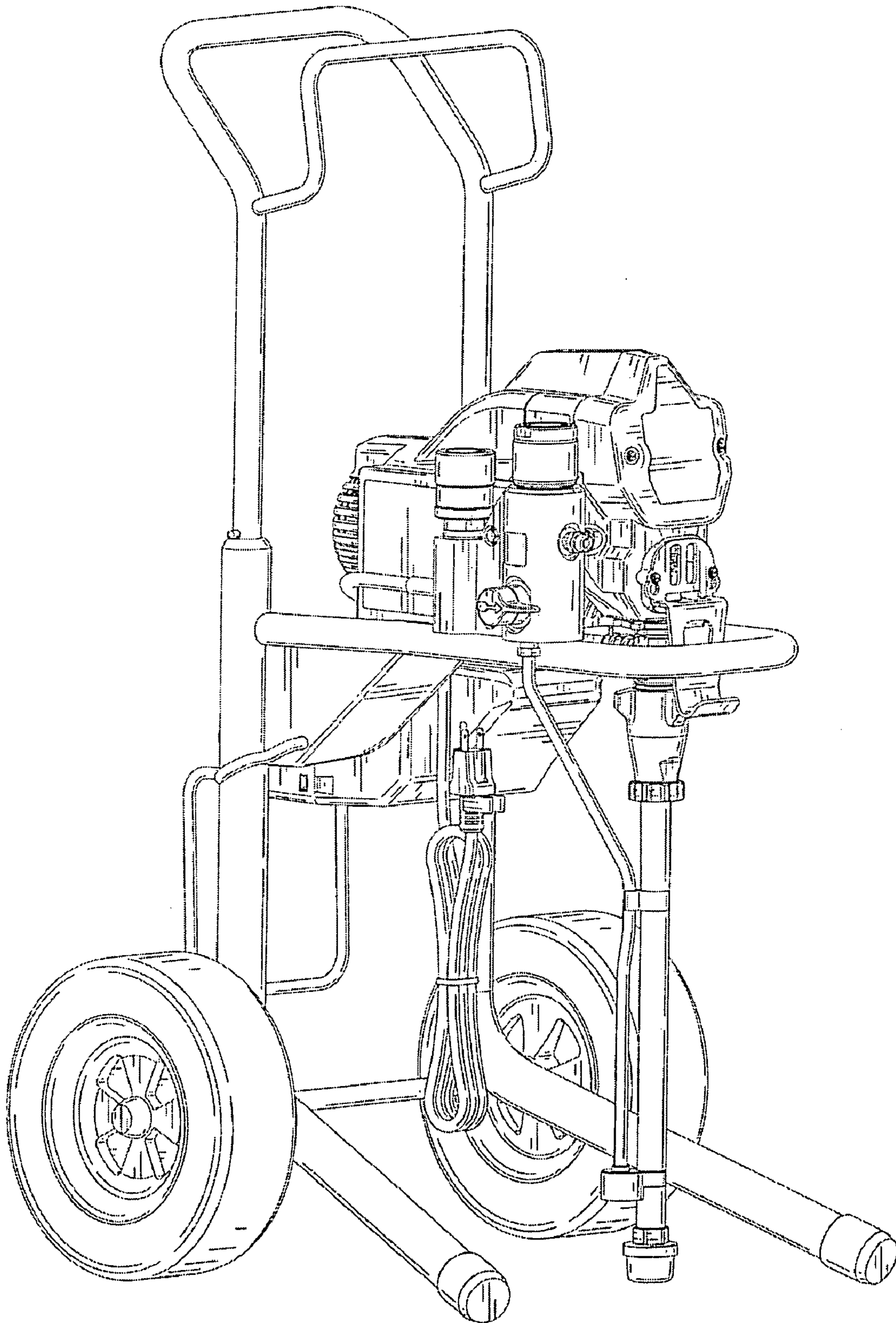


FIG. 7

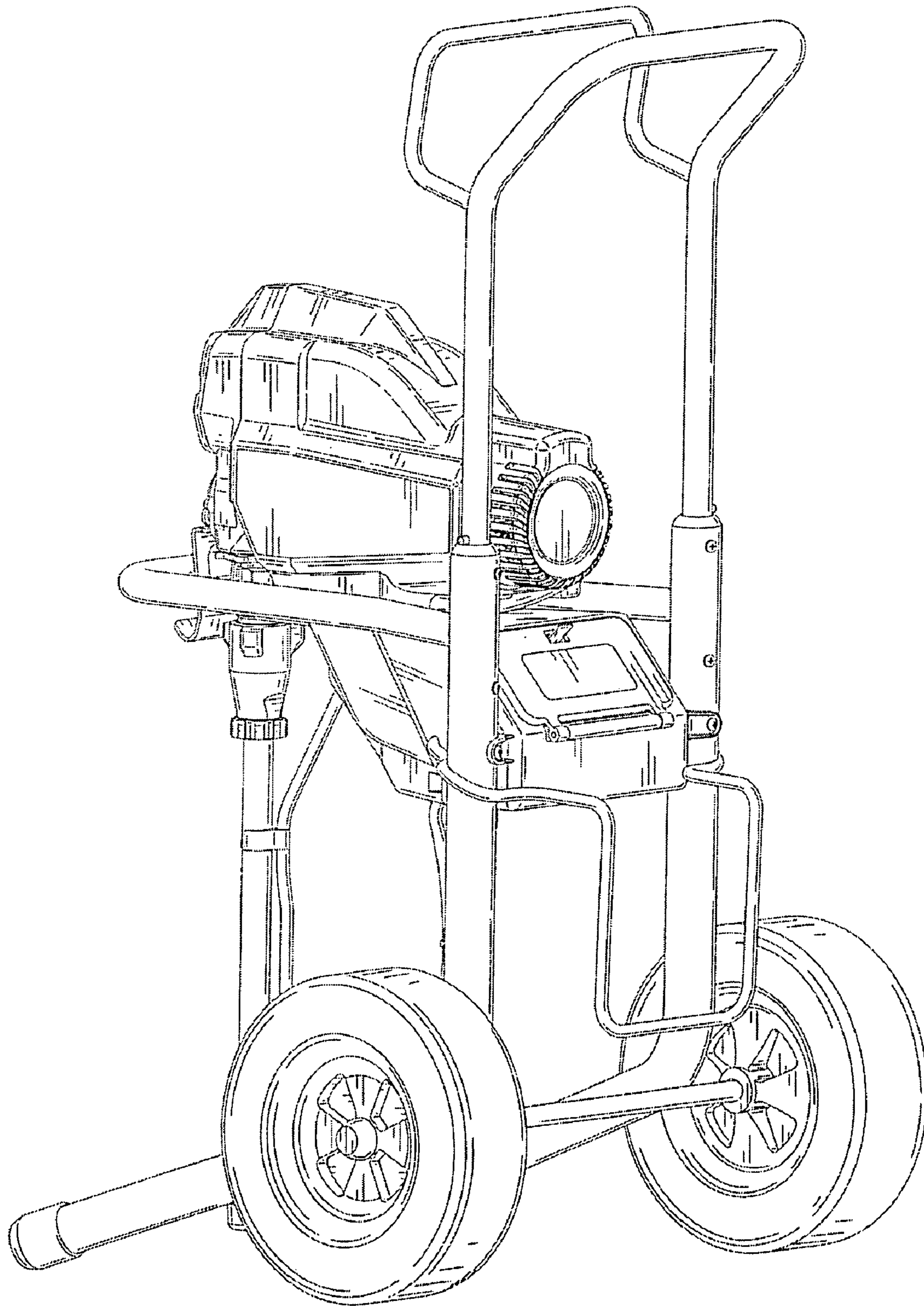


FIG. 8

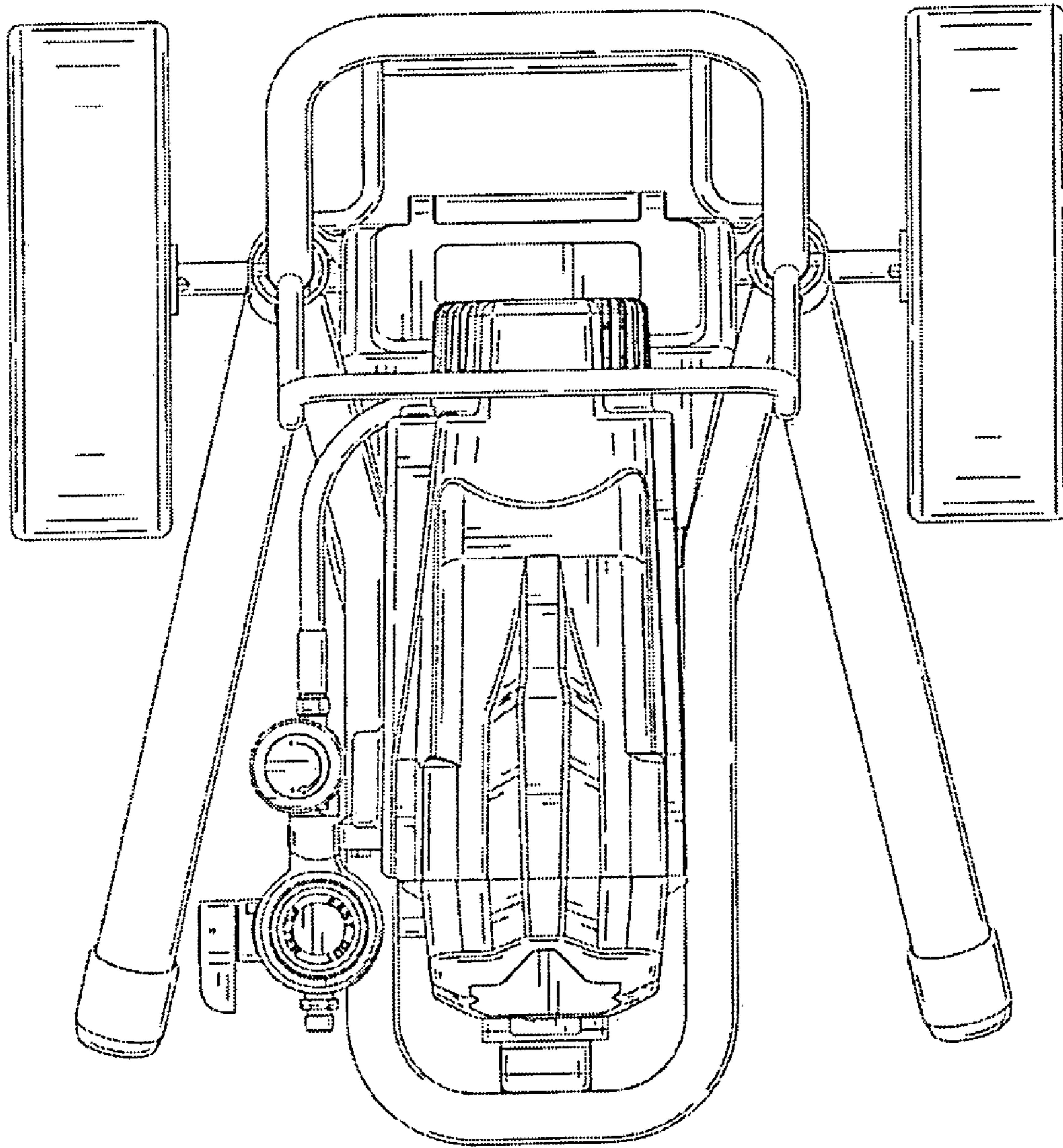


FIG. 9

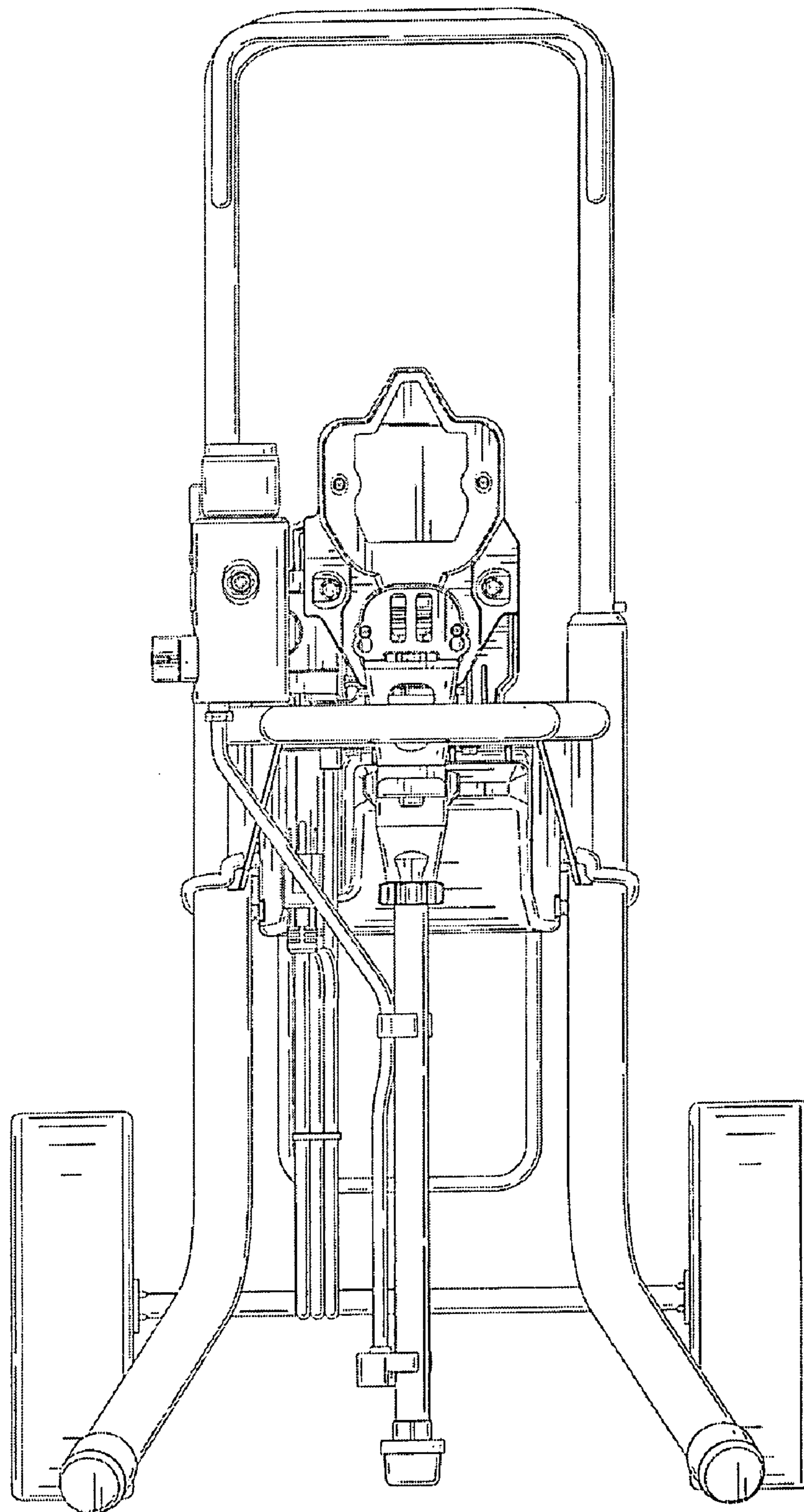


FIG. 10

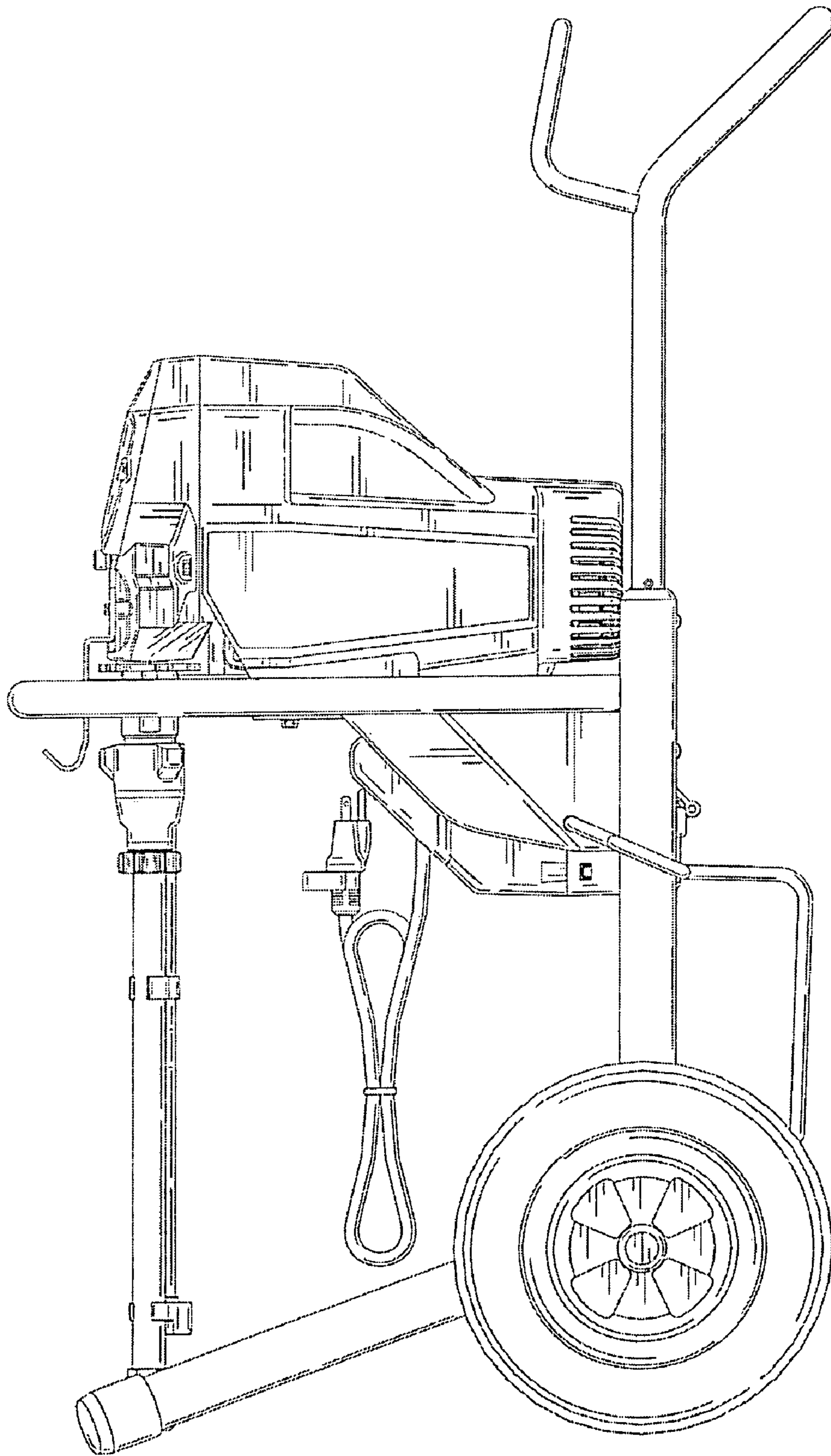


FIG. 11

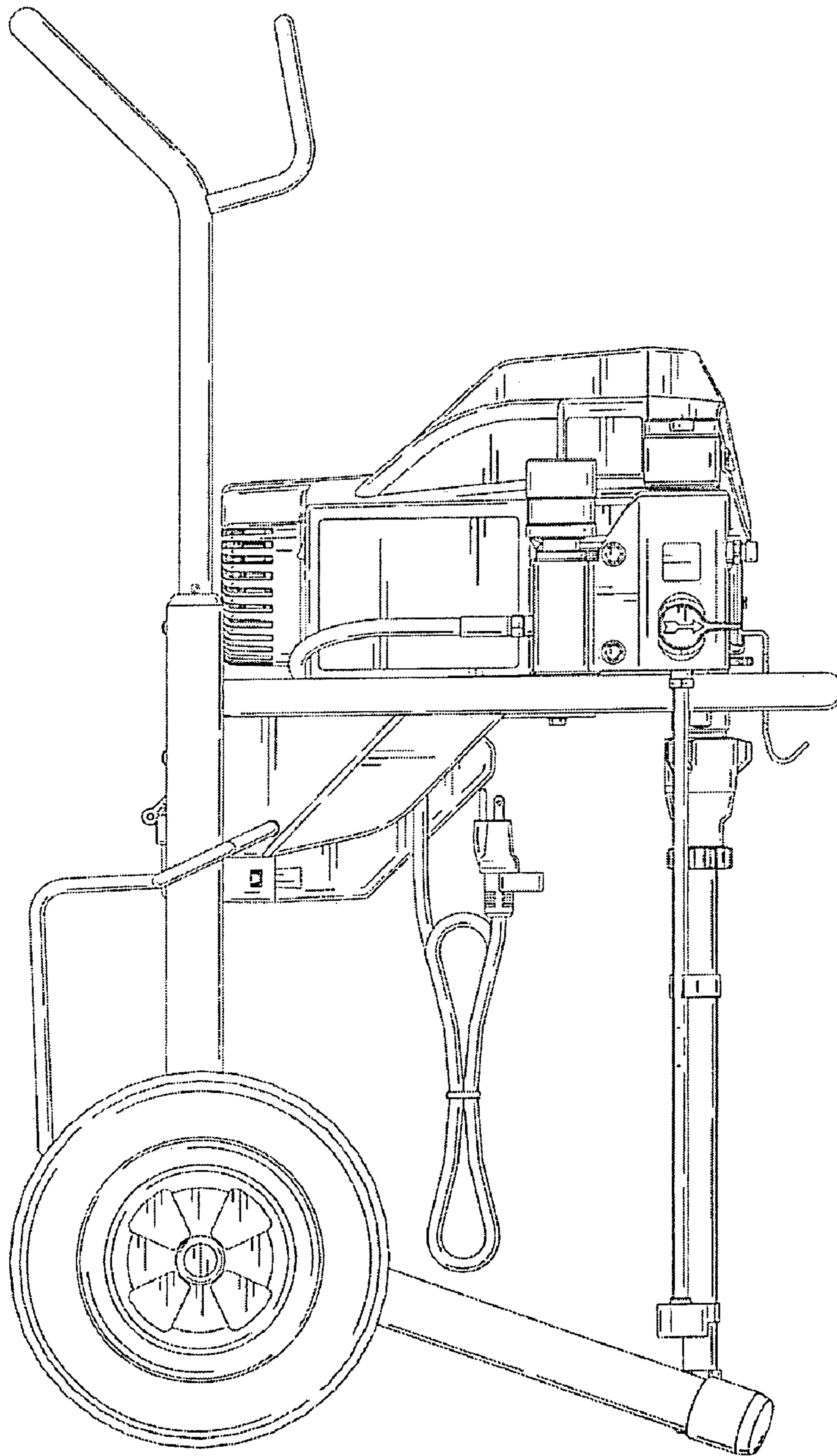


FIG. 12