



US00D580517S

(12) **United States Design Patent**
Mattson et al.

(10) **Patent No.:** **US D580,517 S**

(45) **Date of Patent:** **** Nov. 11, 2008**

(54) **TEXTURE SPRAYER**

(75) Inventors: **Barry W. Mattson**, Elk River, MN (US);
Andrew J. Kopel, Stanchfield, MN
(US); **James C. Schroeder**, Ramsey,
MN (US); **Jon M. Knutson**, Maple
Grove, MN (US); **David J. Thompson**,
Oak Grove, MN (US)

(73) Assignee: **Graco Minnesota Inc.**, Minneapolis,
MN (US)

(**) Term: **14 Years**

(21) Appl. No.: **29/304,767**

(22) Filed: **Mar. 7, 2008**

(51) **LOC (8) Cl.** **23-01**

(52) **U.S. Cl.** **D23/225**

(58) **Field of Classification Search** D23/213,
D23/225; 239/146, 147, 150; 401/48, 195
See application file for complete search history.

(56) **References Cited**

U.S. PATENT DOCUMENTS

D501,241 S 1/2005 Gundersen et al.
D502,532 S 3/2005 Schroeder et al.

D526,045 S 8/2006 Gundersen et al.
7,114,664 B2 * 10/2006 Gundersen et al. 239/149
D572,795 S * 7/2008 Kieffer D23/225

OTHER PUBLICATIONS

Brochure, "Magnum TexFinish: Interior Texture Sprayers," Graco
Inc., Minneapolis, Minnesota, © Feb. 2007.

* cited by examiner

Primary Examiner—Robin V Webster

(74) *Attorney, Agent, or Firm*—Douglas B. Farrow

(57) **CLAIM**

The ornamental design for the texture sprayer, as shown and
described.

DESCRIPTION

FIG. 1 is a front perspective view of the texture sprayer;

FIG. 2 is a top elevation view thereof;

FIG. 3 is a front elevation view thereof;

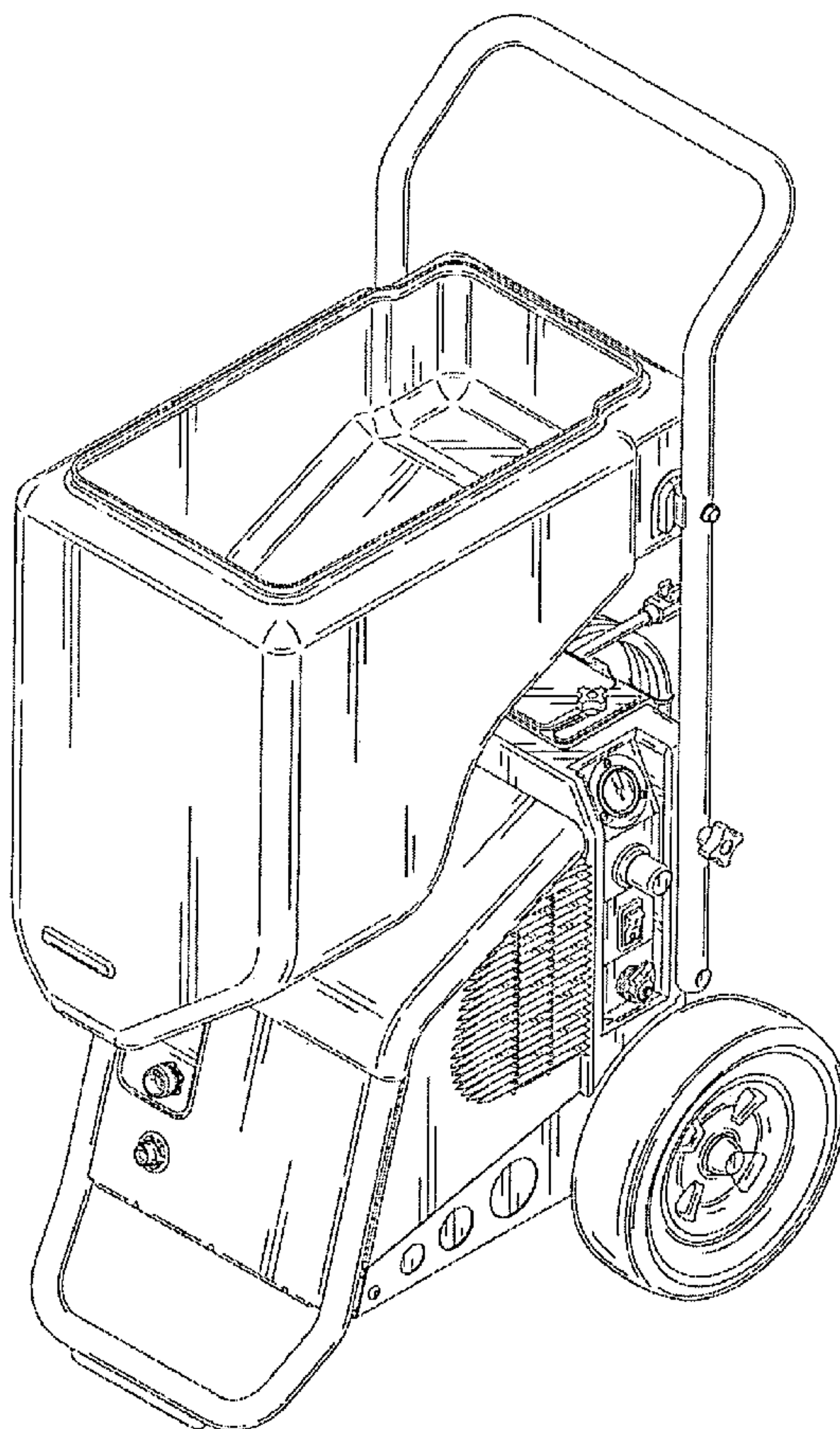
FIG. 4 is a right side elevation view thereof;

FIG. 5 is a left side elevation view thereof;

FIG. 6 is a bottom elevation view thereof; and,

FIG. 7 is a rear elevation view thereof.

1 Claim, 7 Drawing Sheets



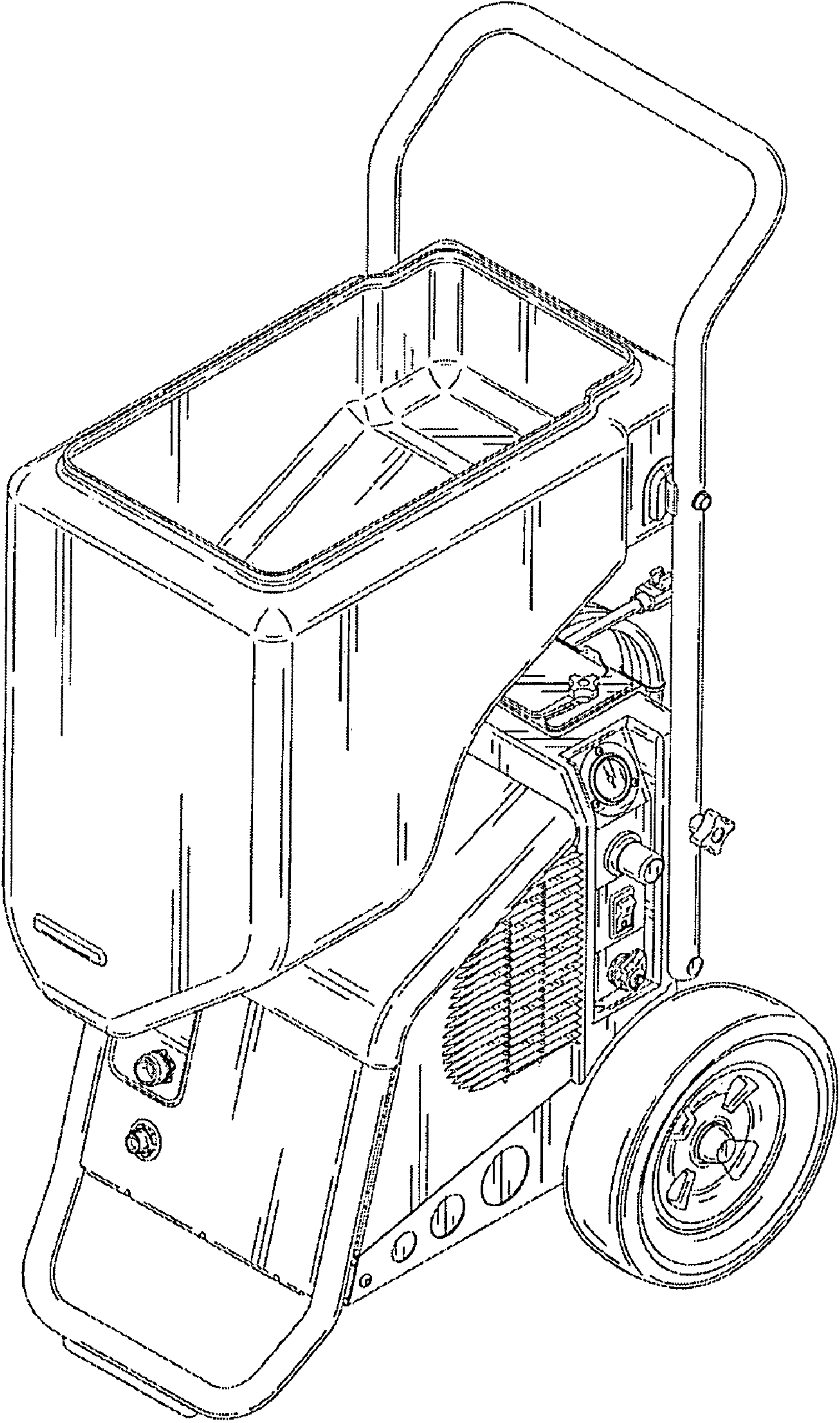


FIG. 1

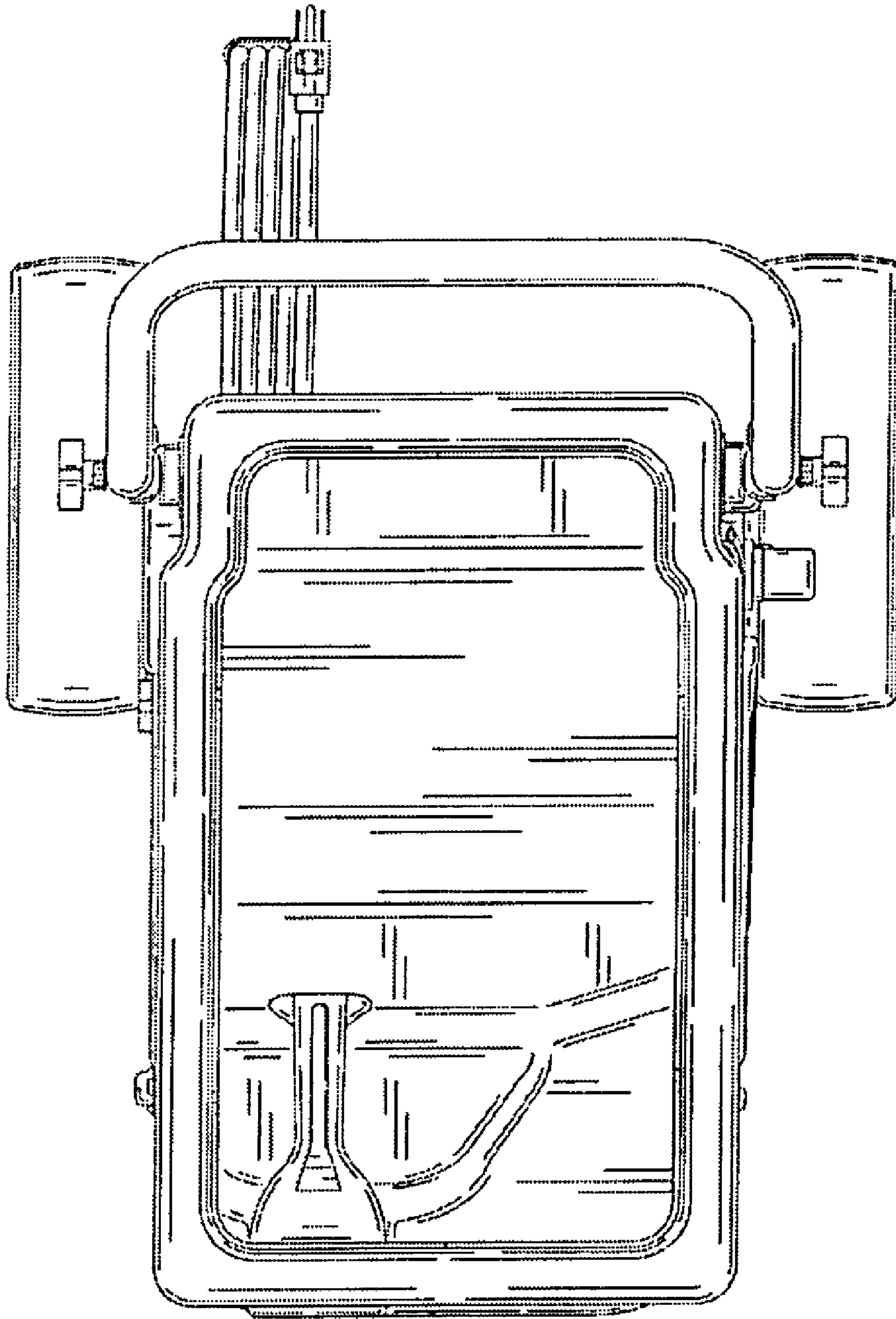


FIG. 2

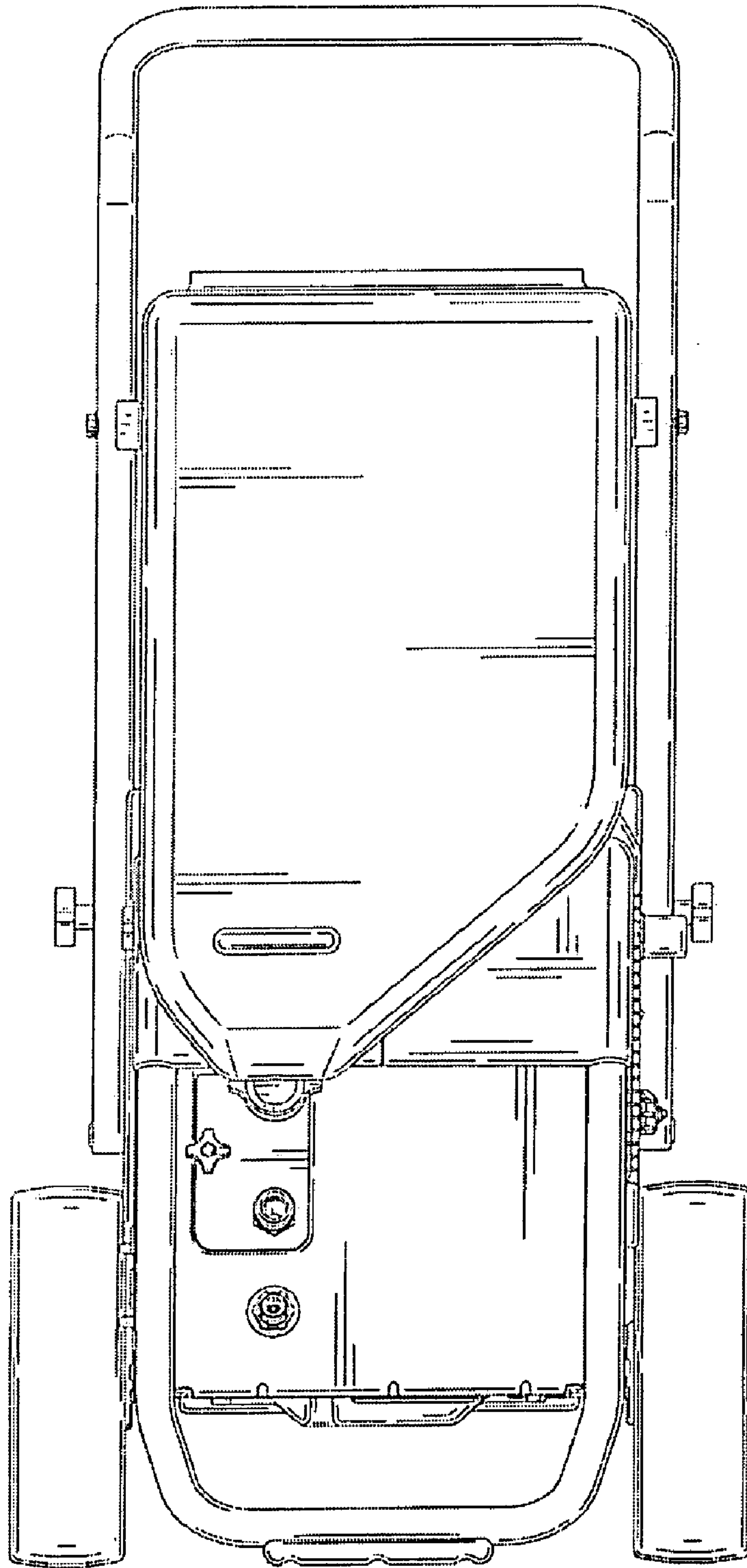


FIG. 3

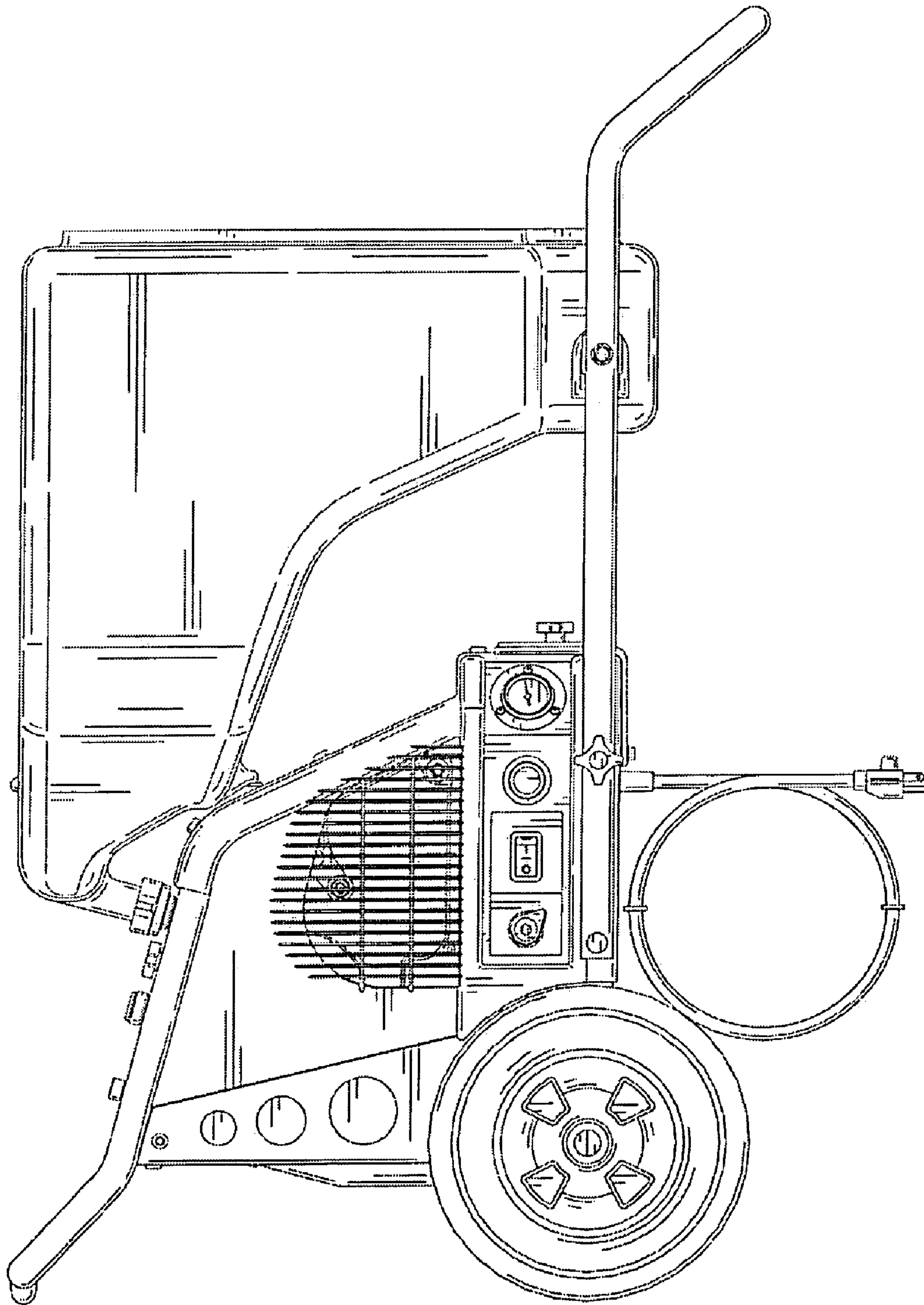


FIG. 4

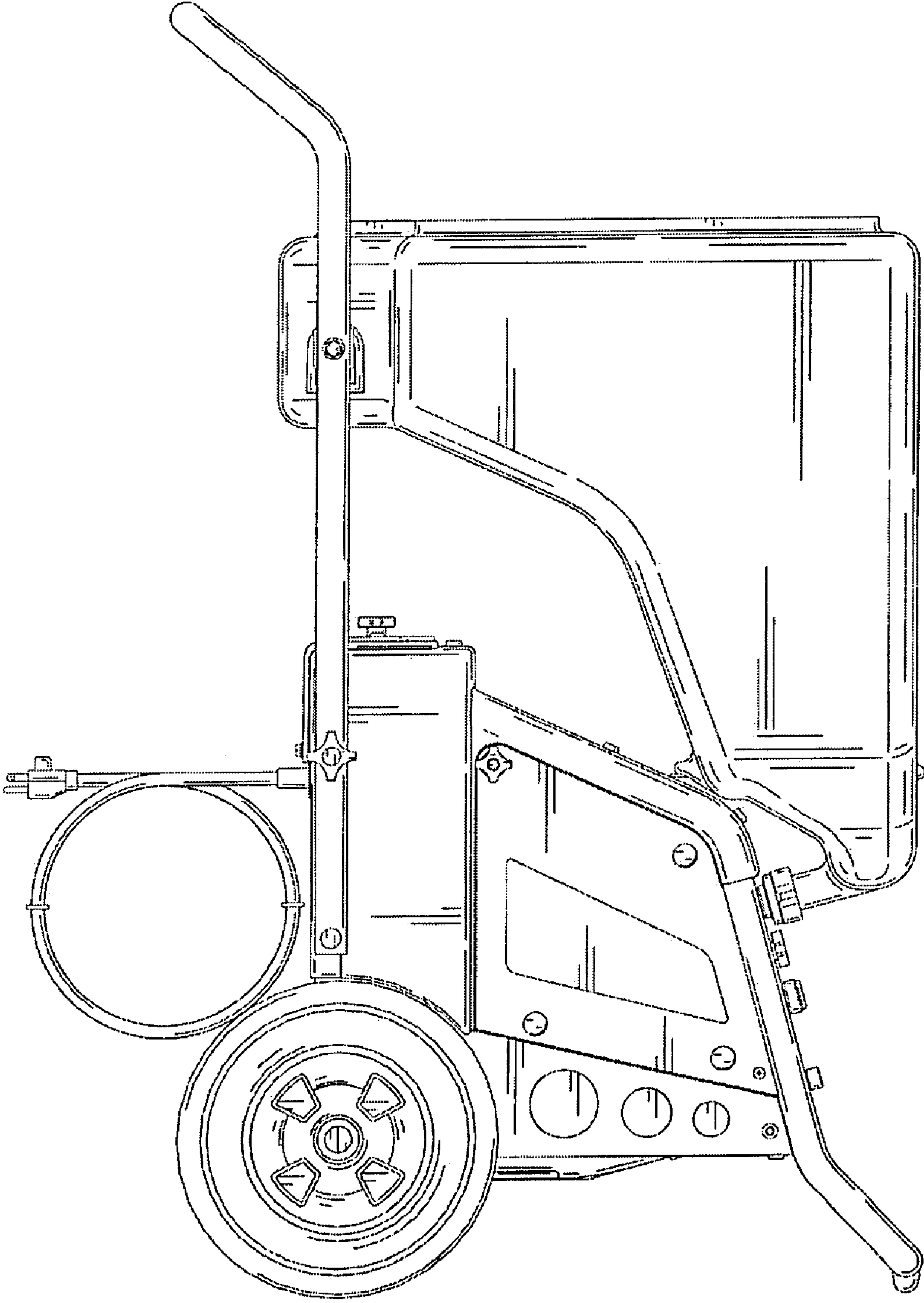


FIG. 5

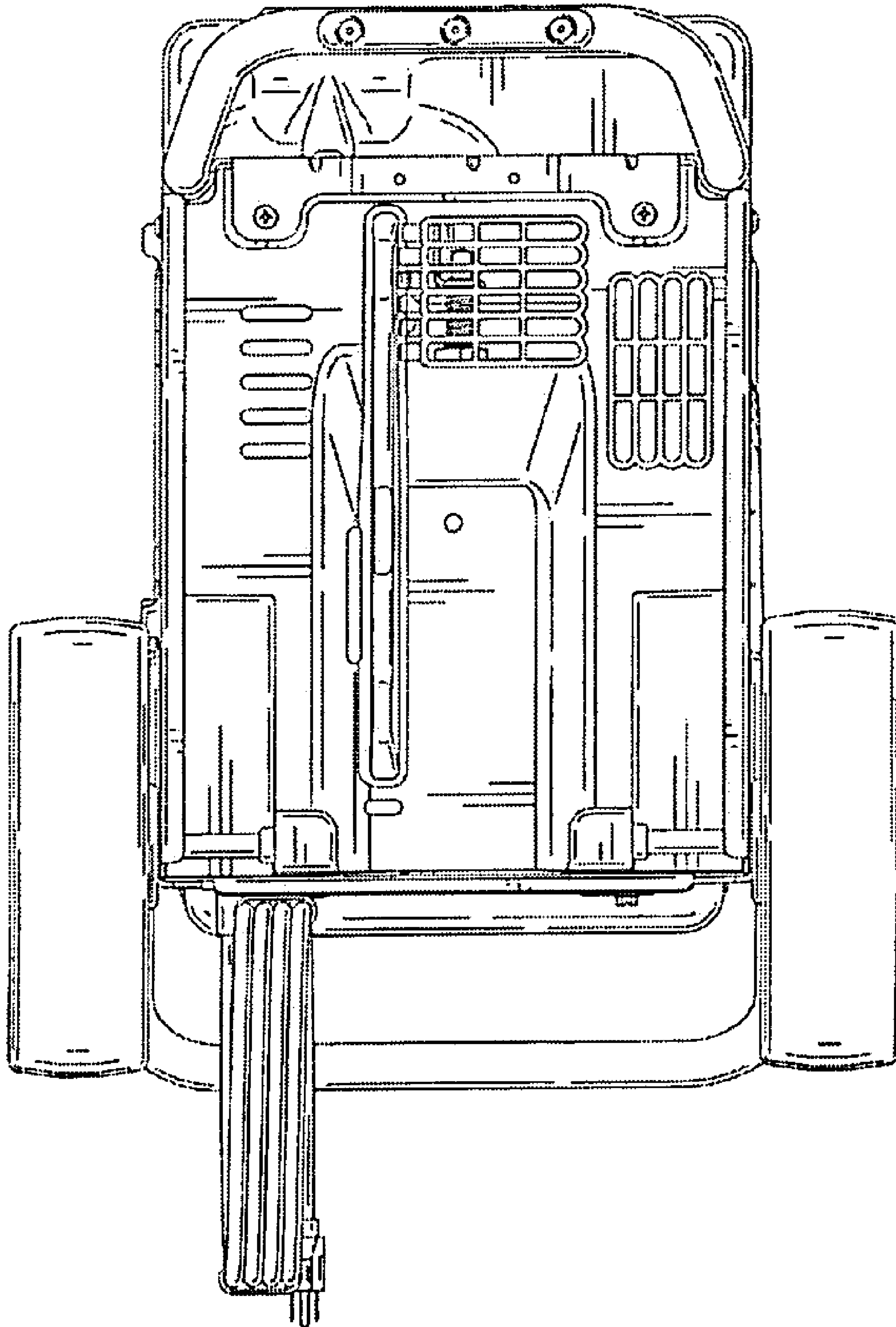


FIG. 6

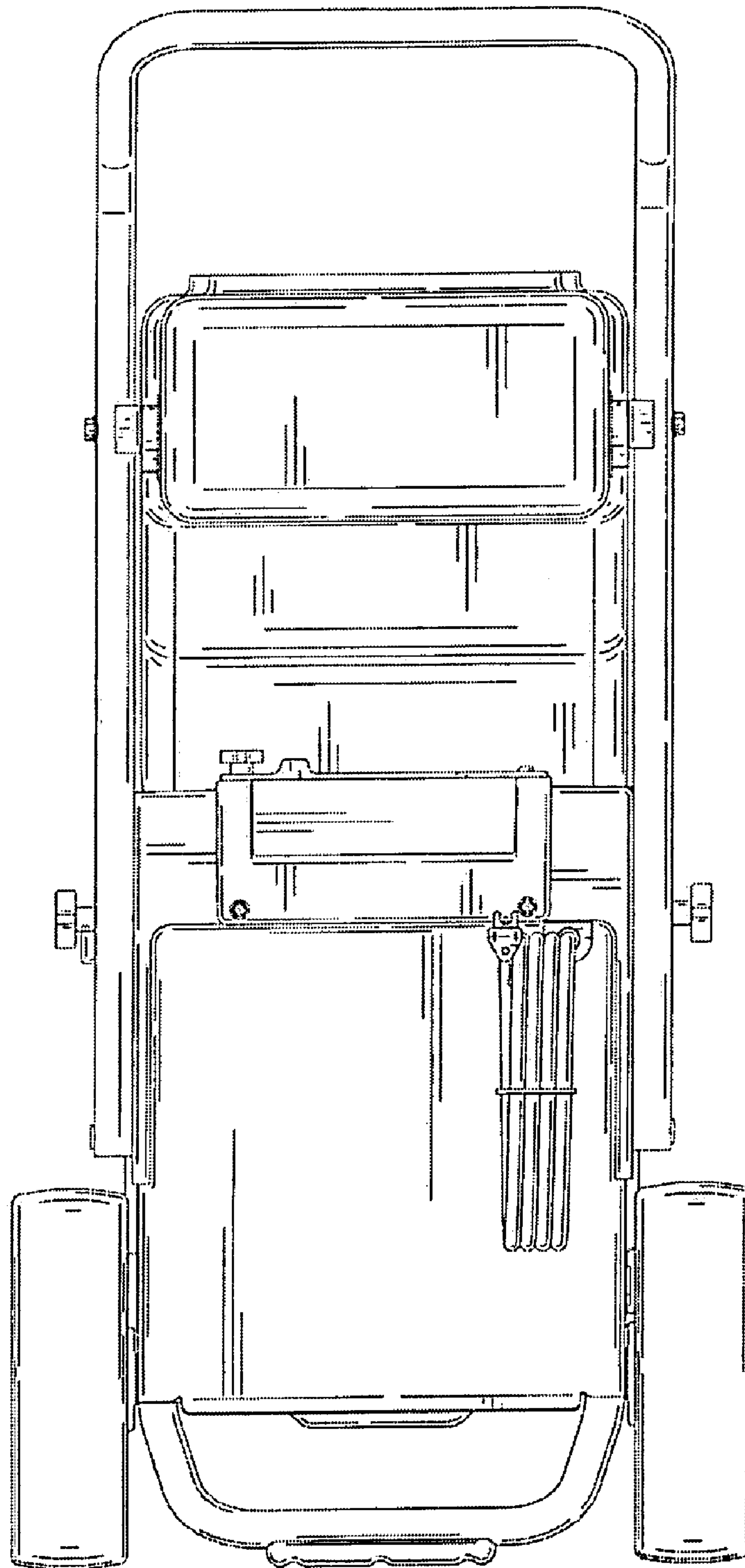


FIG. 7