



US00D580516S

(12) **United States Design Patent**  
**Mattson et al.**

(10) **Patent No.:** **US D580,516 S**

(45) **Date of Patent:** **\*\* Nov. 11, 2008**

(54) **TEXTURE SPRAYER**

D526,045 S 8/2006 Gundersen et al.  
7,114,664 B2 \* 10/2006 Gundersen et al. .... 239/149  
D572,795 S \* 7/2008 Kieffer ..... D23/225

(75) Inventors: **Barry W. Mattson**, Elk River, MN (US);  
**Andrew J. Kopel**, Stanchfield, MN  
(US); **James C. Schroeder**, Ramsey,  
MN (US); **Jon M. Knutson**, Maple  
Grove, MN (US); **David J. Thompson**,  
Oak Grove, MN (US)

**OTHER PUBLICATIONS**

Brochure, "Magnum TexFinish: Interior Texture Sprayers," Graco  
Inc., Minneapolis, Minnesota, © Feb. 2007.

\* cited by examiner

(73) Assignee: **Graco Minnesota Inc.**, Minneapolis,  
MN (US)

*Primary Examiner*—Robin V Webster

(74) *Attorney, Agent, or Firm*—Douglas B. Farrow

(\*\*) Term: **14 Years**

(57) **CLAIM**

(21) Appl. No.: **29/304,474**

The ornamental design for the texture sprayer, as shown and  
described.

(22) Filed: **Mar. 3, 2008**

**DESCRIPTION**

(51) **LOC (8) Cl.** ..... **23-01**

FIG. 1 is a front perspective view of the texture sprayer;

(52) **U.S. Cl.** ..... **D23/225**

FIG. 2 is a top elevation view thereof;

(58) **Field of Classification Search** ..... D23/213,  
D23/225; 239/146, 147, 150; 401/48, 195

FIG. 3 is a front elevation view thereof;

See application file for complete search history.

FIG. 4 is a right side elevation view thereof;

FIG. 5 is a left side elevation view thereof;

FIG. 6 is a bottom elevation view thereof; and,

FIG. 7 is a rear elevation view thereof.

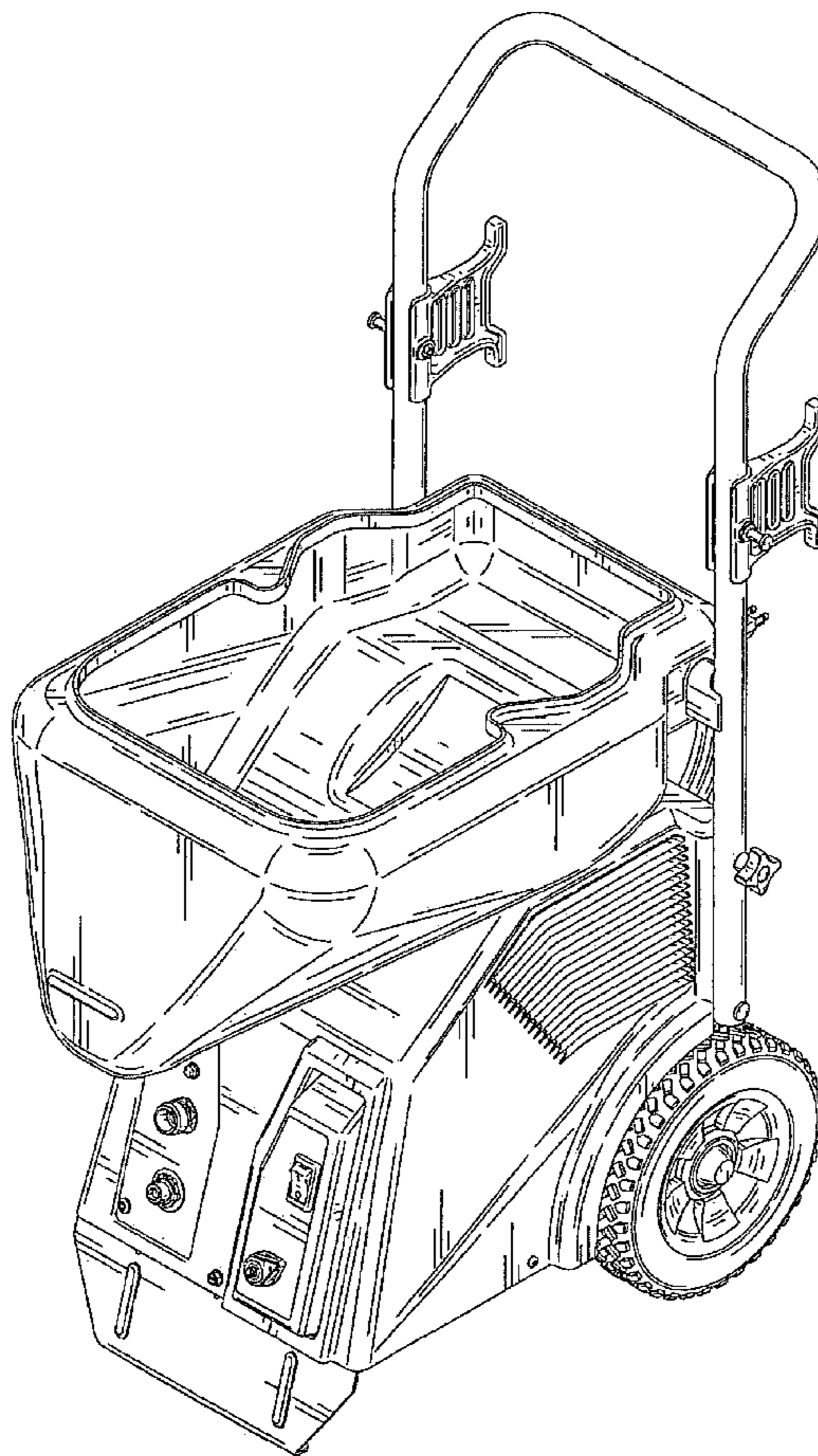
(56) **References Cited**

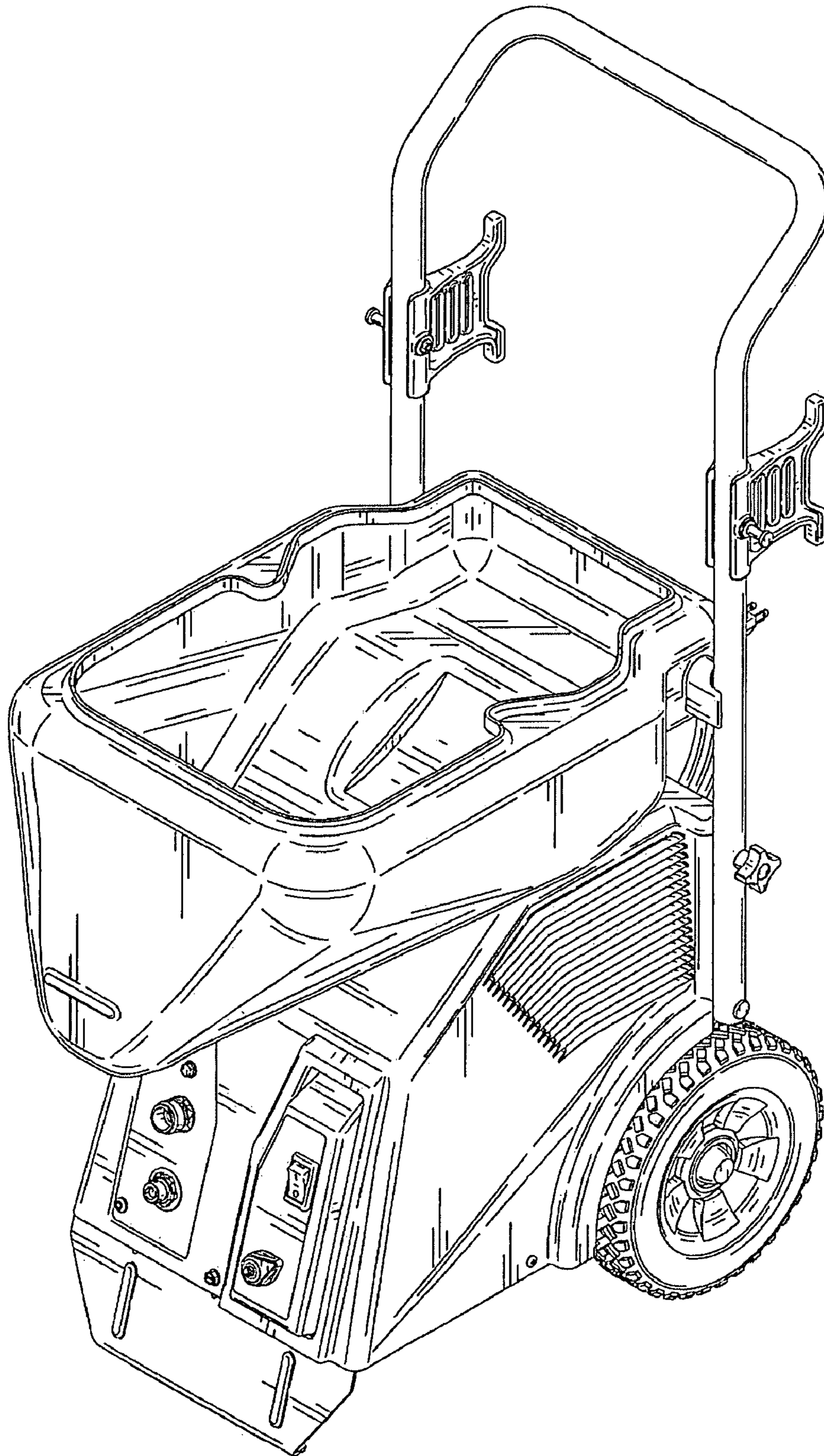
**U.S. PATENT DOCUMENTS**

D501,241 S 1/2005 Gundersen et al.

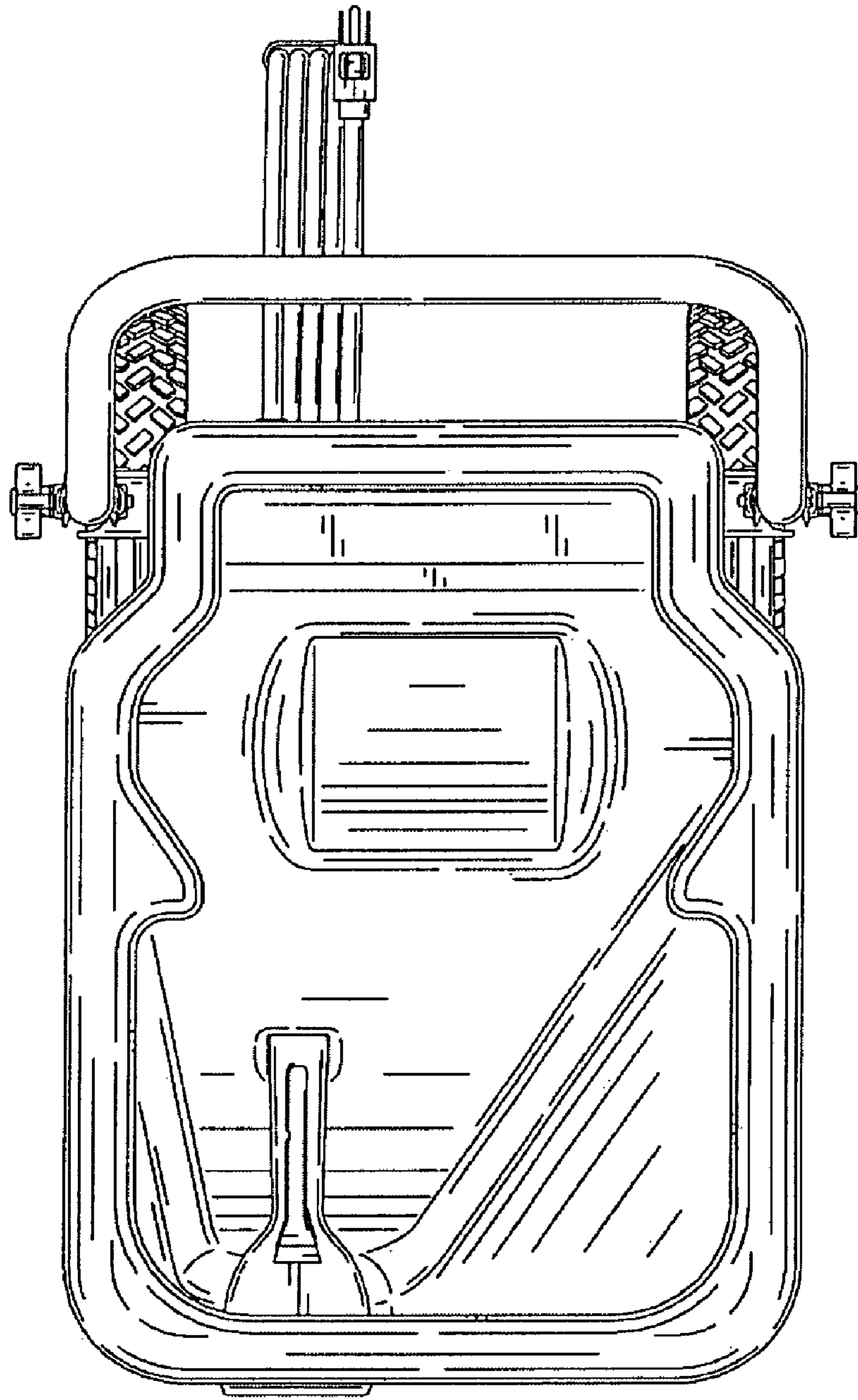
D502,532 S 3/2005 Schroeder et al.

**1 Claim, 7 Drawing Sheets**

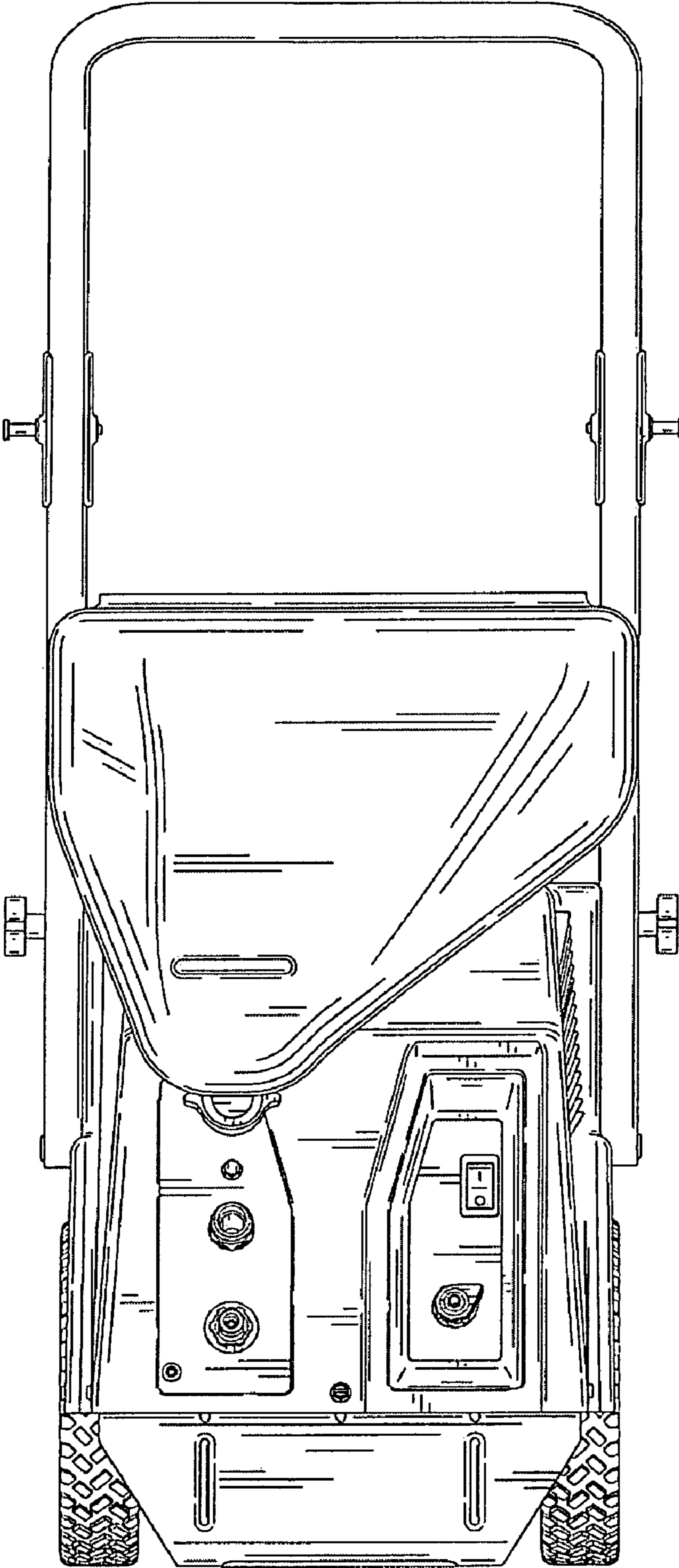




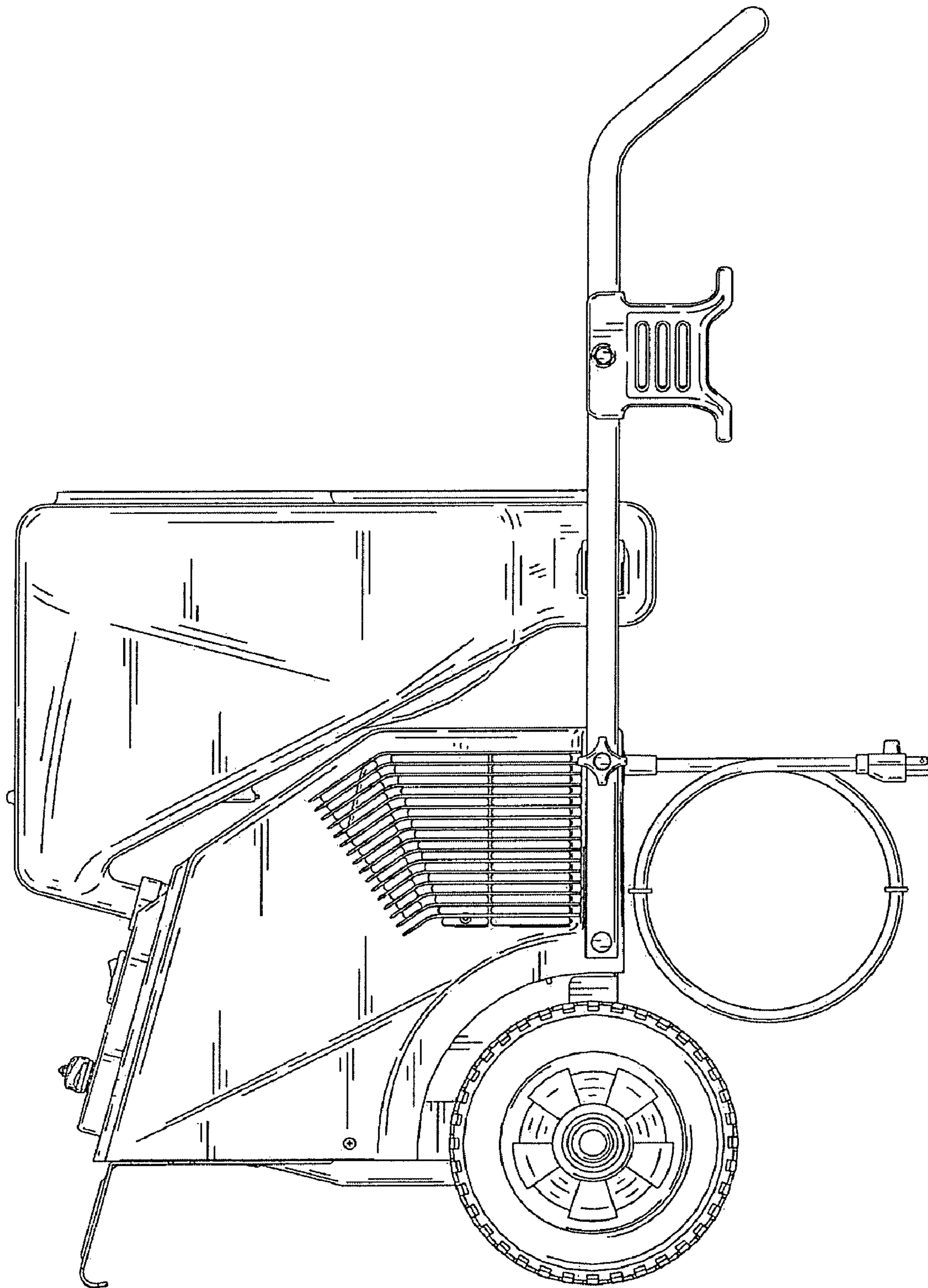
**FIG. 1**



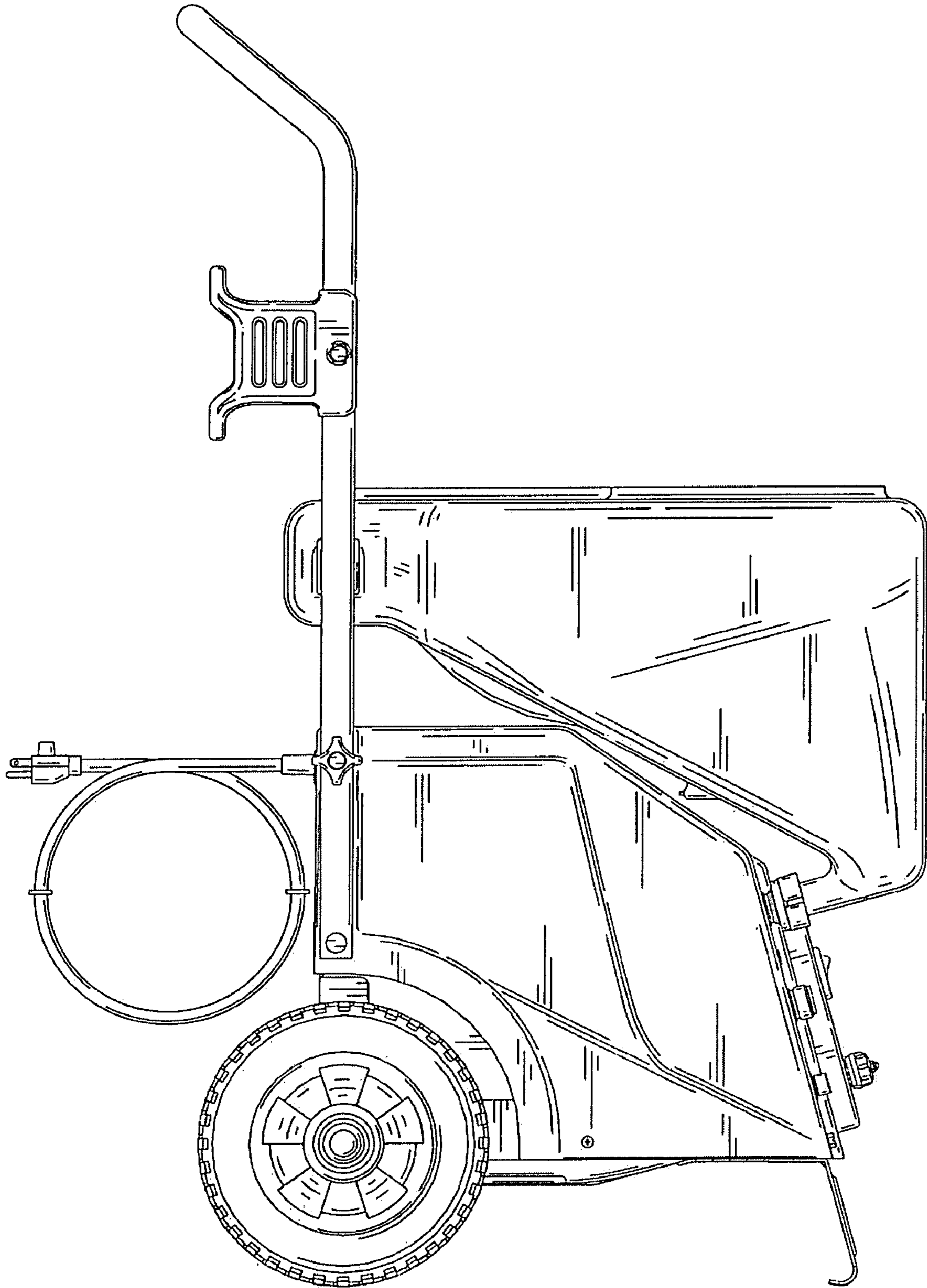
**FIG. 2**



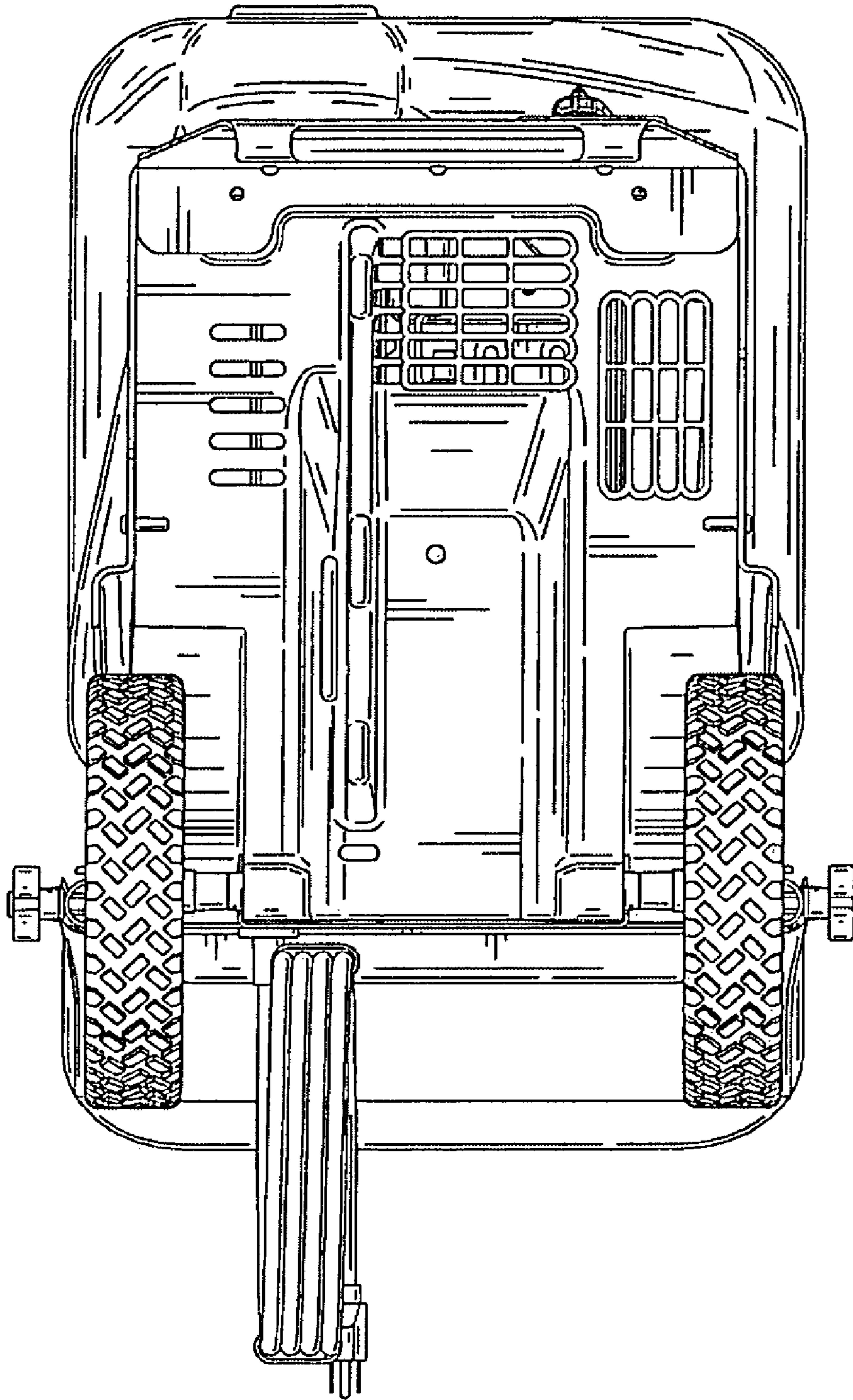
**FIG. 3**



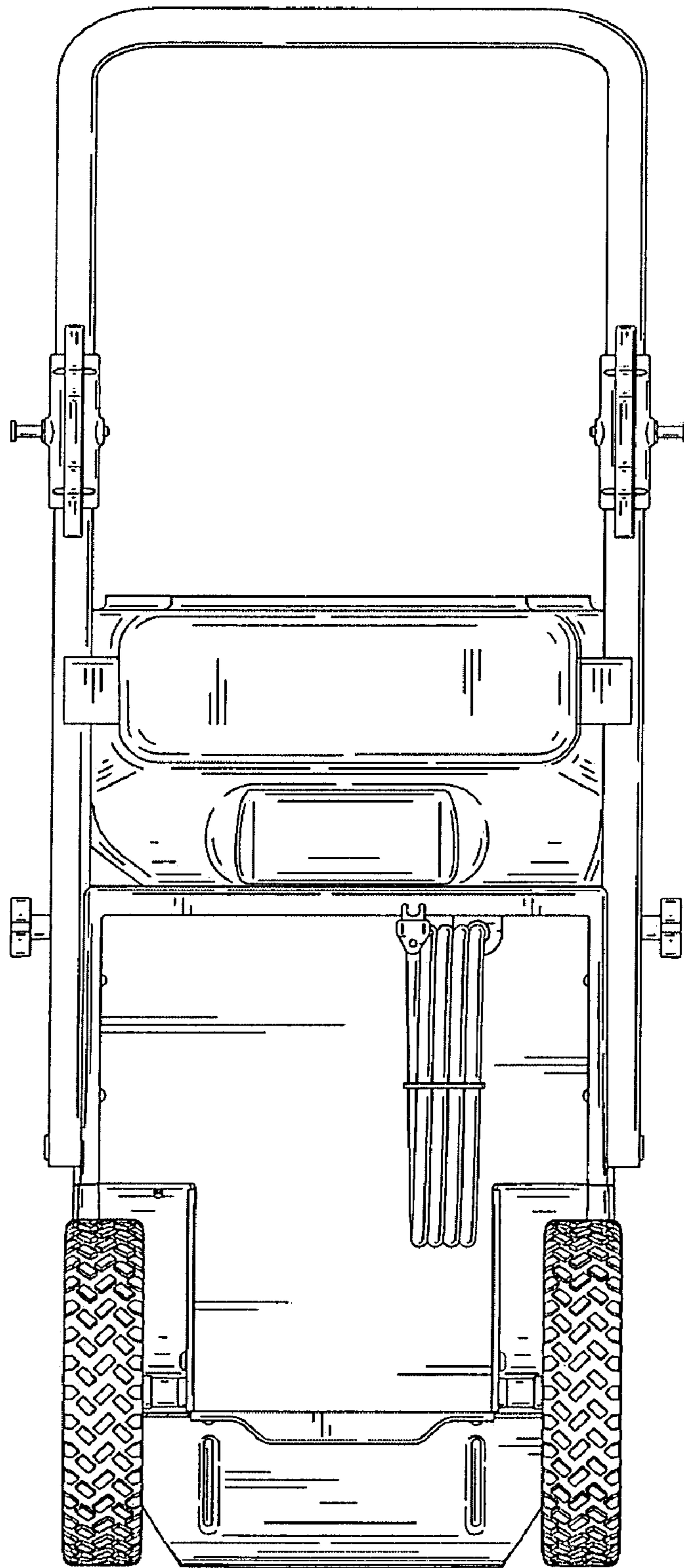
**FIG. 4**



**FIG. 5**



**FIG. 6**



**FIG. 7**