



US00D580515S

(12) **United States Design Patent**  
**Wrobel et al.**

(10) **Patent No.:** **US D580,515 S**

(45) **Date of Patent:** **\*\* Nov. 11, 2008**

(54) **PAINT SPRAYER**

(75) Inventors: **Steven J. Wrobel**, Rogers, MN (US);  
**Steven H. Fredrickson**, Minneapolis,  
MN (US)

(73) Assignee: **Graco Minnesota Inc.**, Minneapolis,  
MN (US)

(\*\*) Term: **14 Years**

(21) Appl. No.: **29/304,094**

(22) Filed: **Feb. 25, 2008**

(51) **LOC (8) Cl.** ..... **23-01**

(52) **U.S. Cl.** ..... **D23/225**

(58) **Field of Classification Search** ..... D23/213,  
D23/225; 239/146, 147, 150; 401/48  
See application file for complete search history.

(56) **References Cited**

**U.S. PATENT DOCUMENTS**

D310,117 S *	8/1990	Mariol	.....	D23/225
D427,283 S *	6/2000	Bower et al.	.....	D23/225
D429,314 S *	8/2000	Bower et al.	.....	D23/225
D560,271 S *	1/2008	Kesti et al.	.....	D23/225

\* cited by examiner

*Primary Examiner*—Robin V Webster

(74) *Attorney, Agent, or Firm*—Douglas B. Farrow

(57) **CLAIM**

The ornamental design for the paint sprayer, as shown and described.

**DESCRIPTION**

FIG. 1 is a front perspective view of the paint sprayer with the step on top;

FIG. 2 is a front perspective view thereof with the step on the side;

FIG. 3 is a perspective view thereof, with the step moved to the opposite side;

FIG. 4 is a top elevation view with the step positioned at the top;

FIG. 5 is a bottom elevation view thereof;

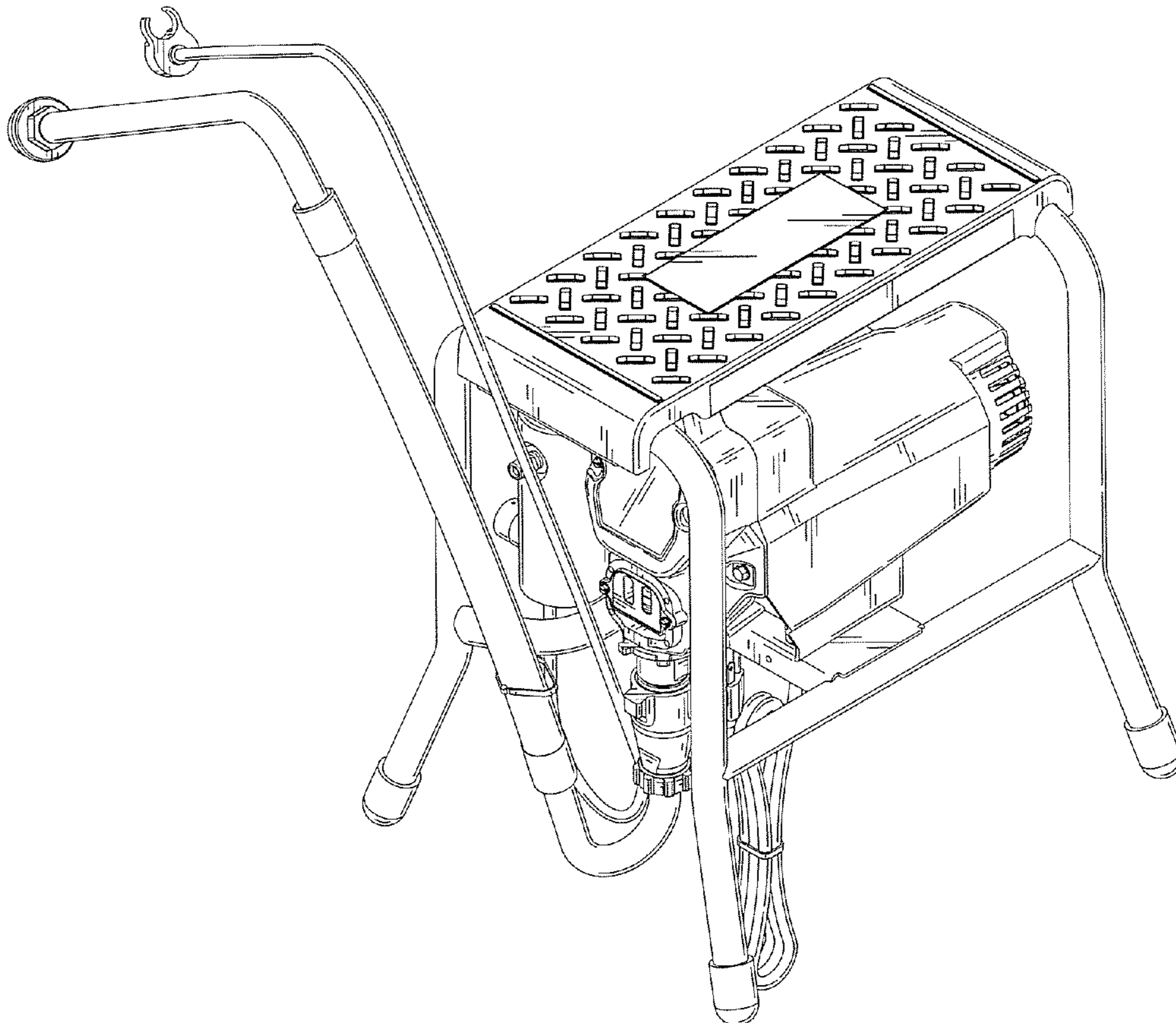
FIG. 6 is a left side elevation view thereof;

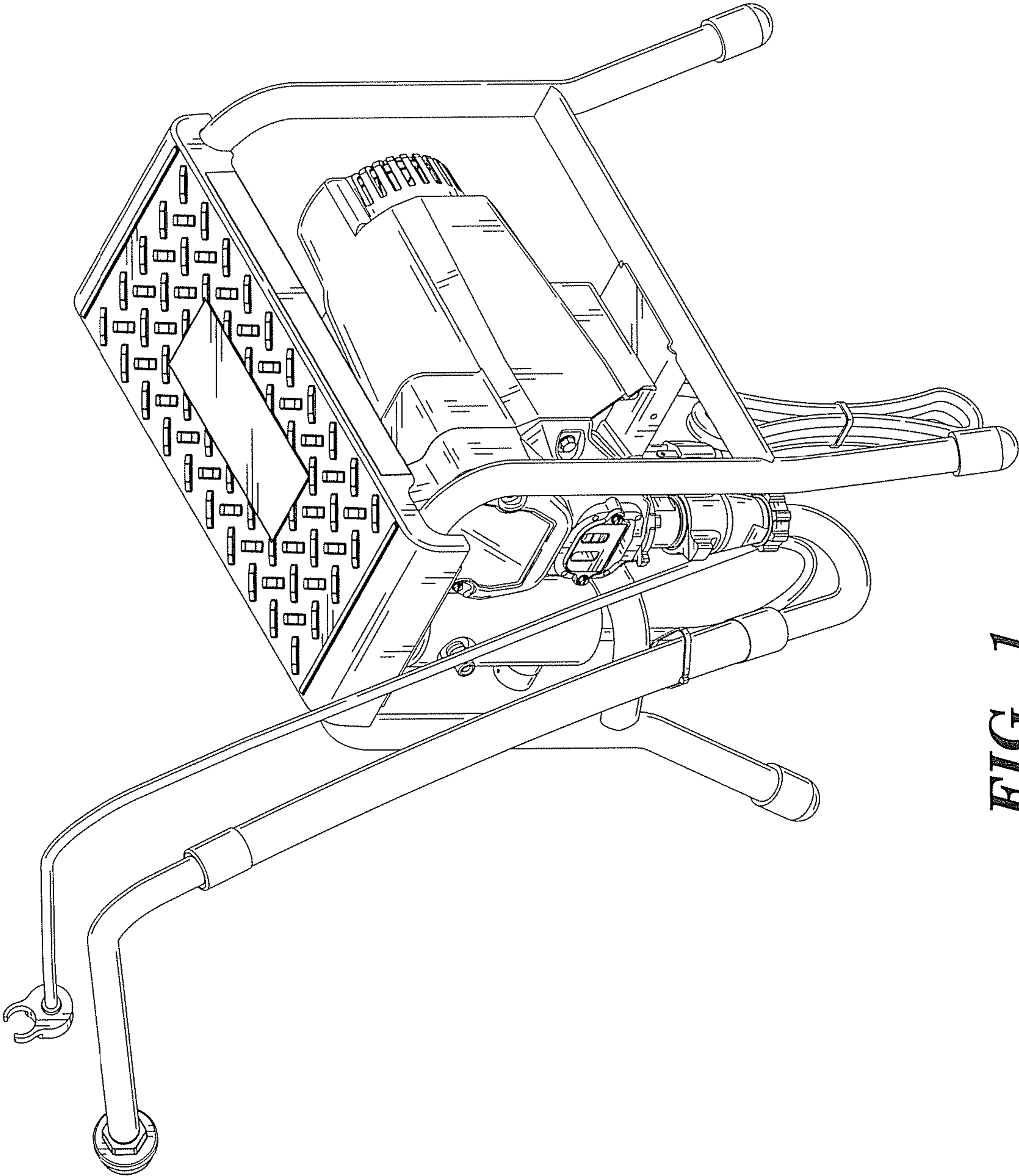
FIG. 7 is a right side elevation view thereof.

FIG. 8 is a front elevation view thereof; and,

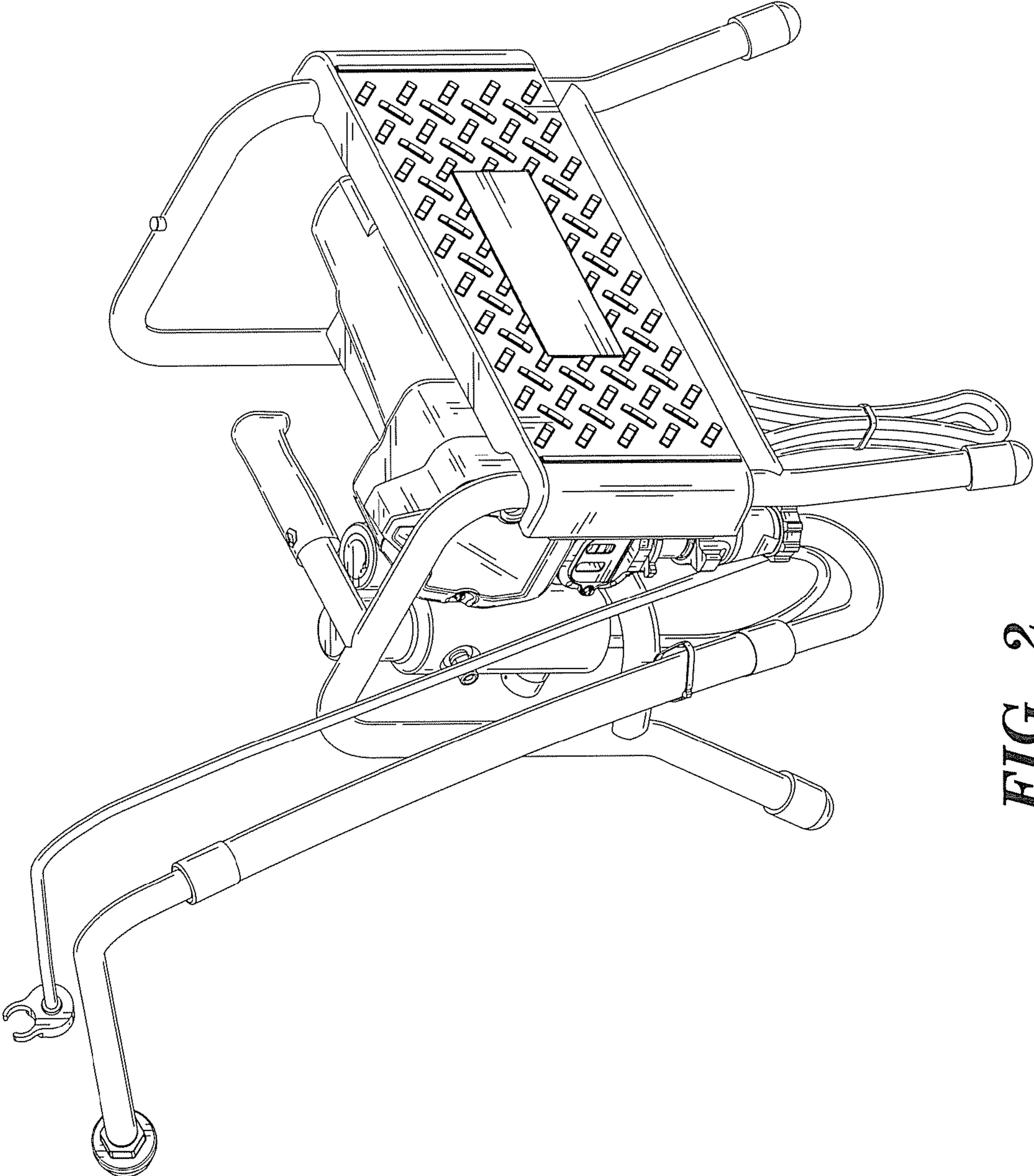
FIG. 9 is a rear elevation view thereof.

**1 Claim, 9 Drawing Sheets**



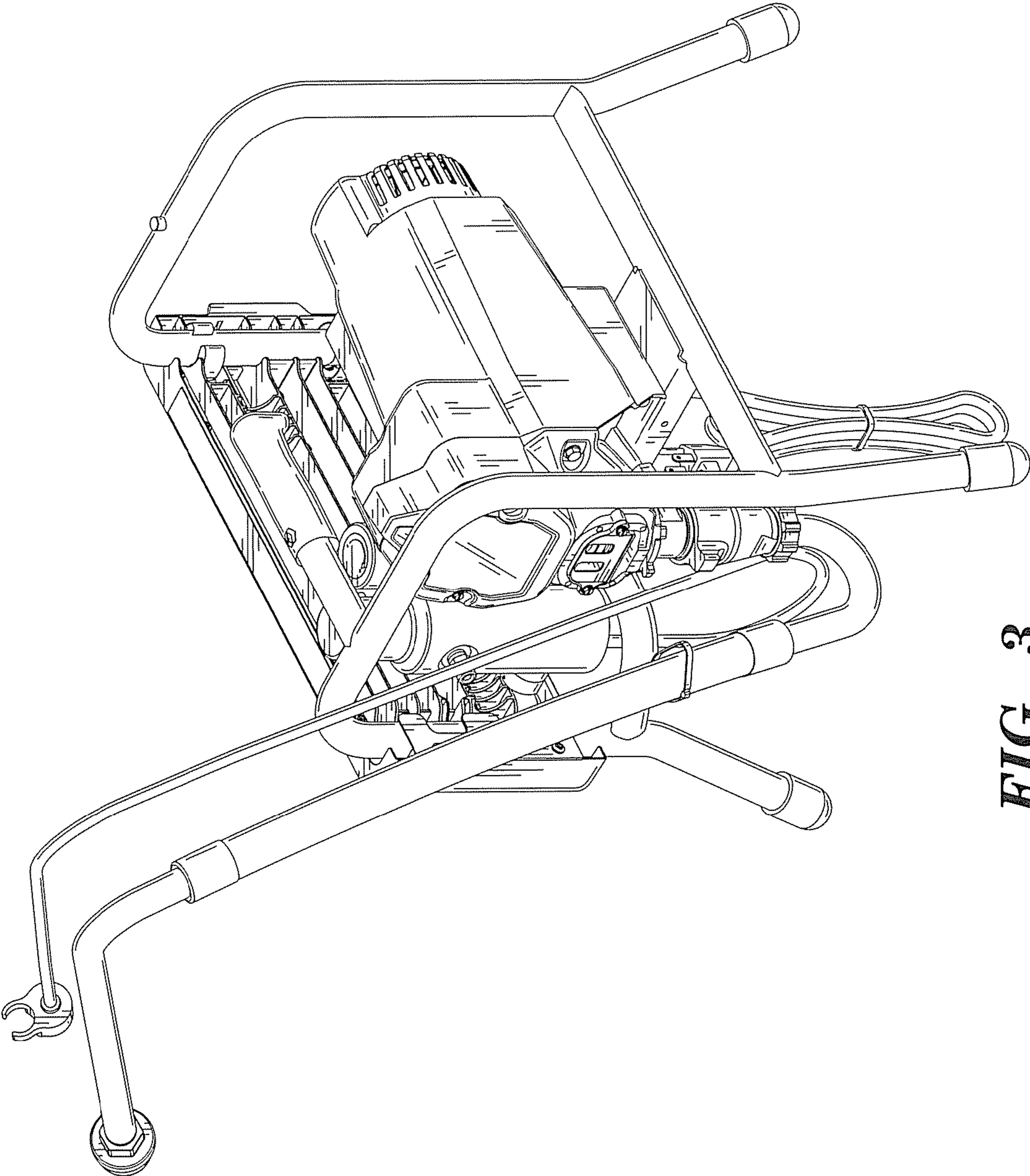


**FIG. 1**

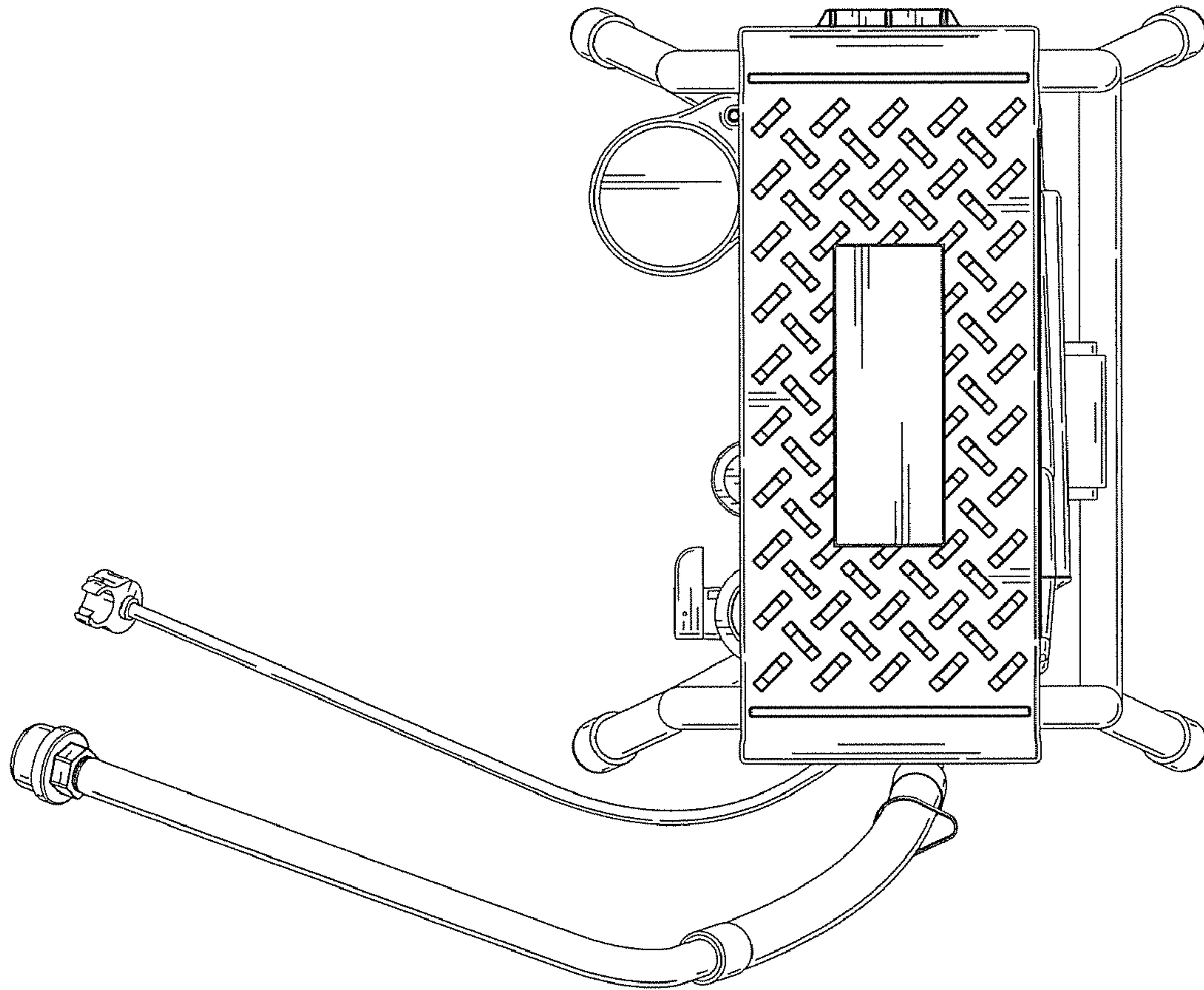


**FIG. 2**

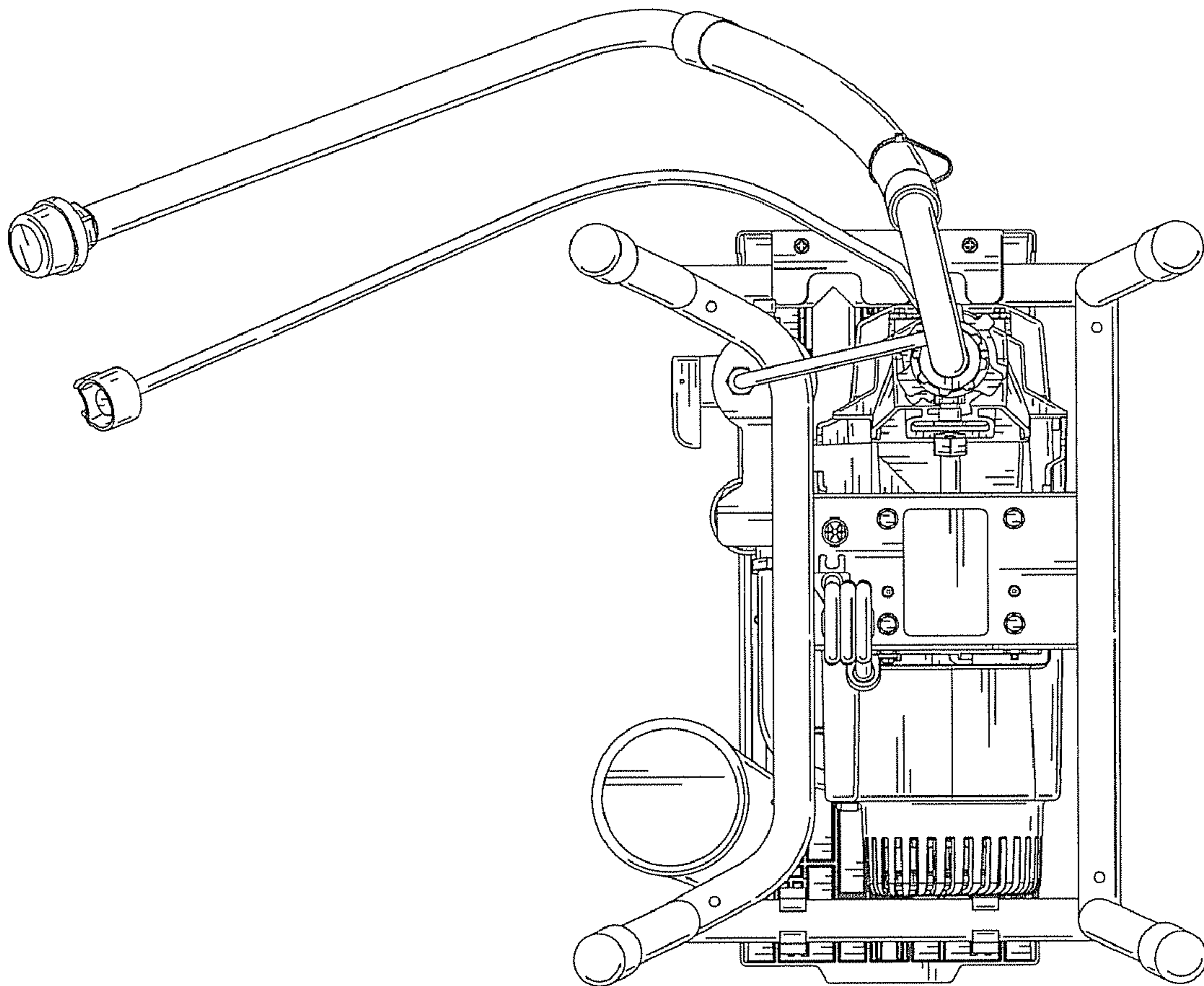




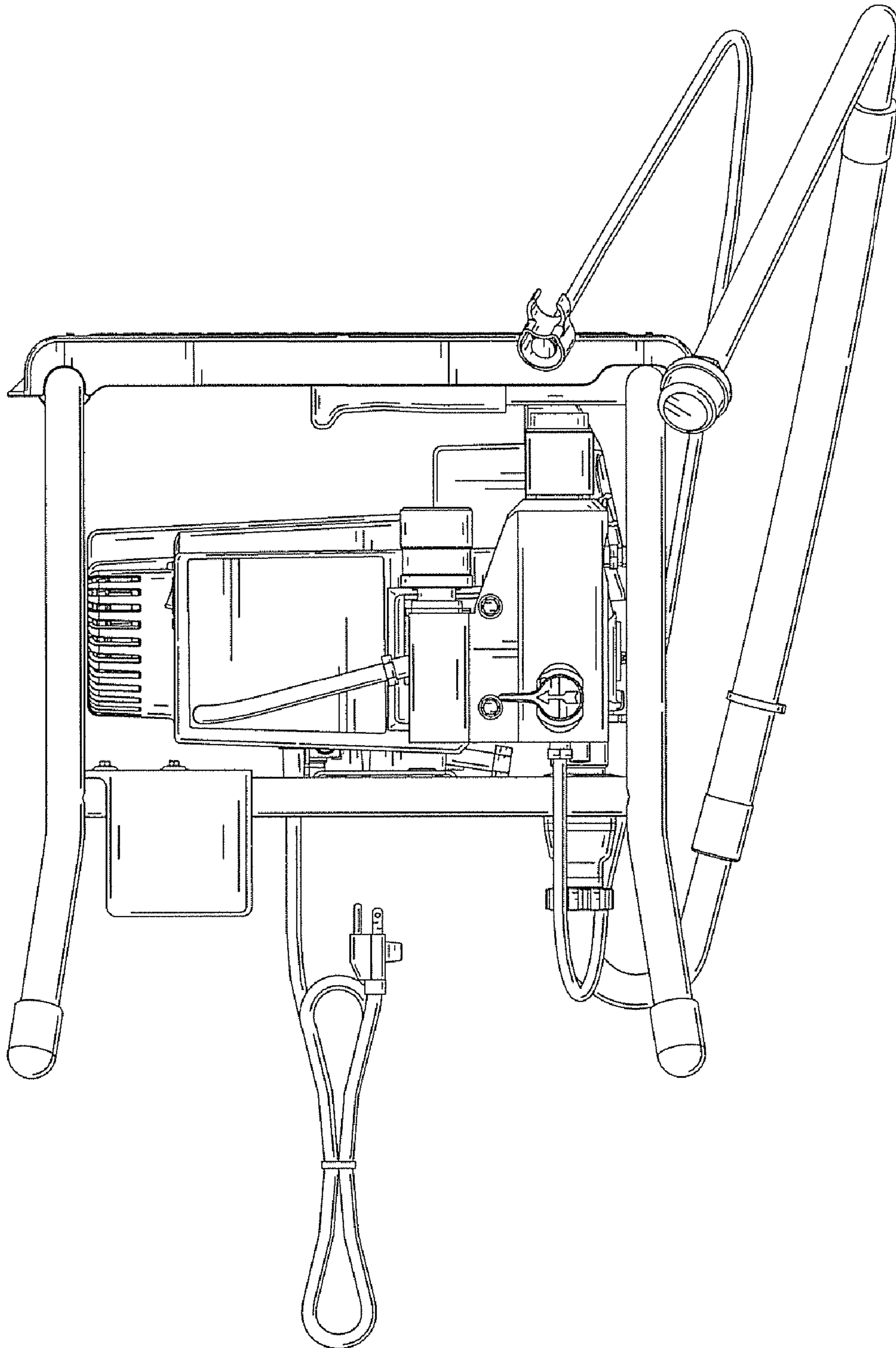
**FIG. 3**



**FIG. 4**

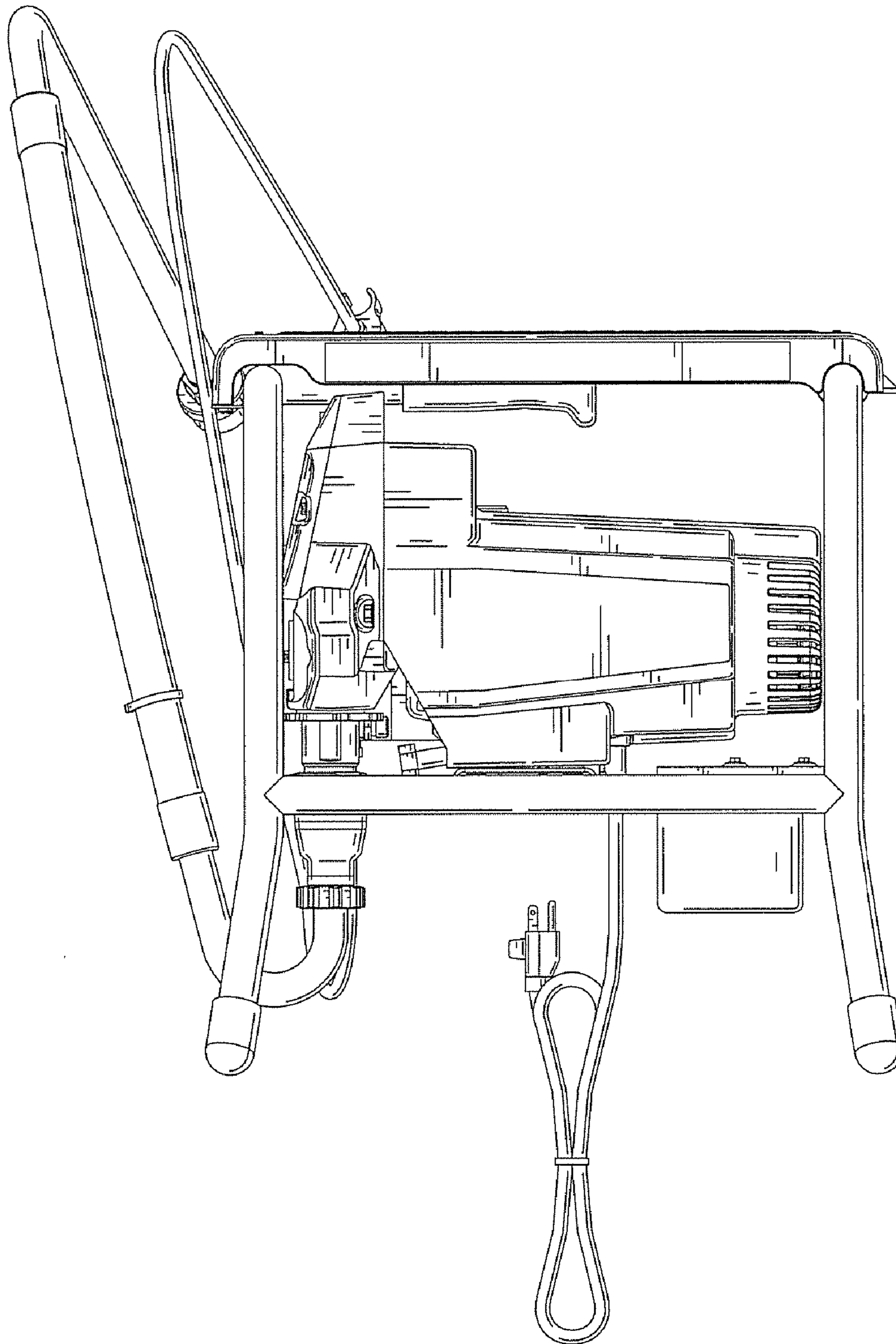


**FIG. 5**



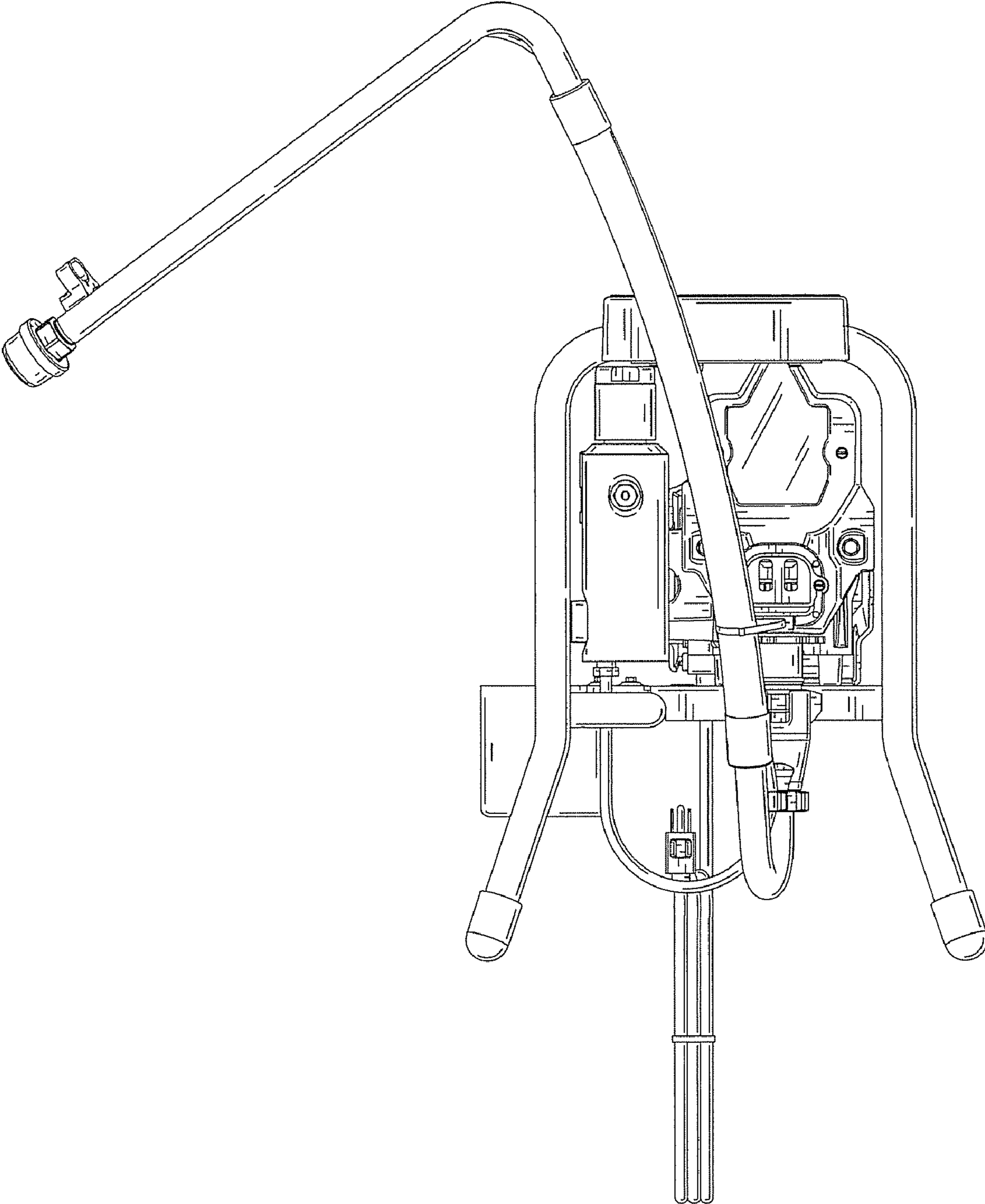
**FIG. 6**



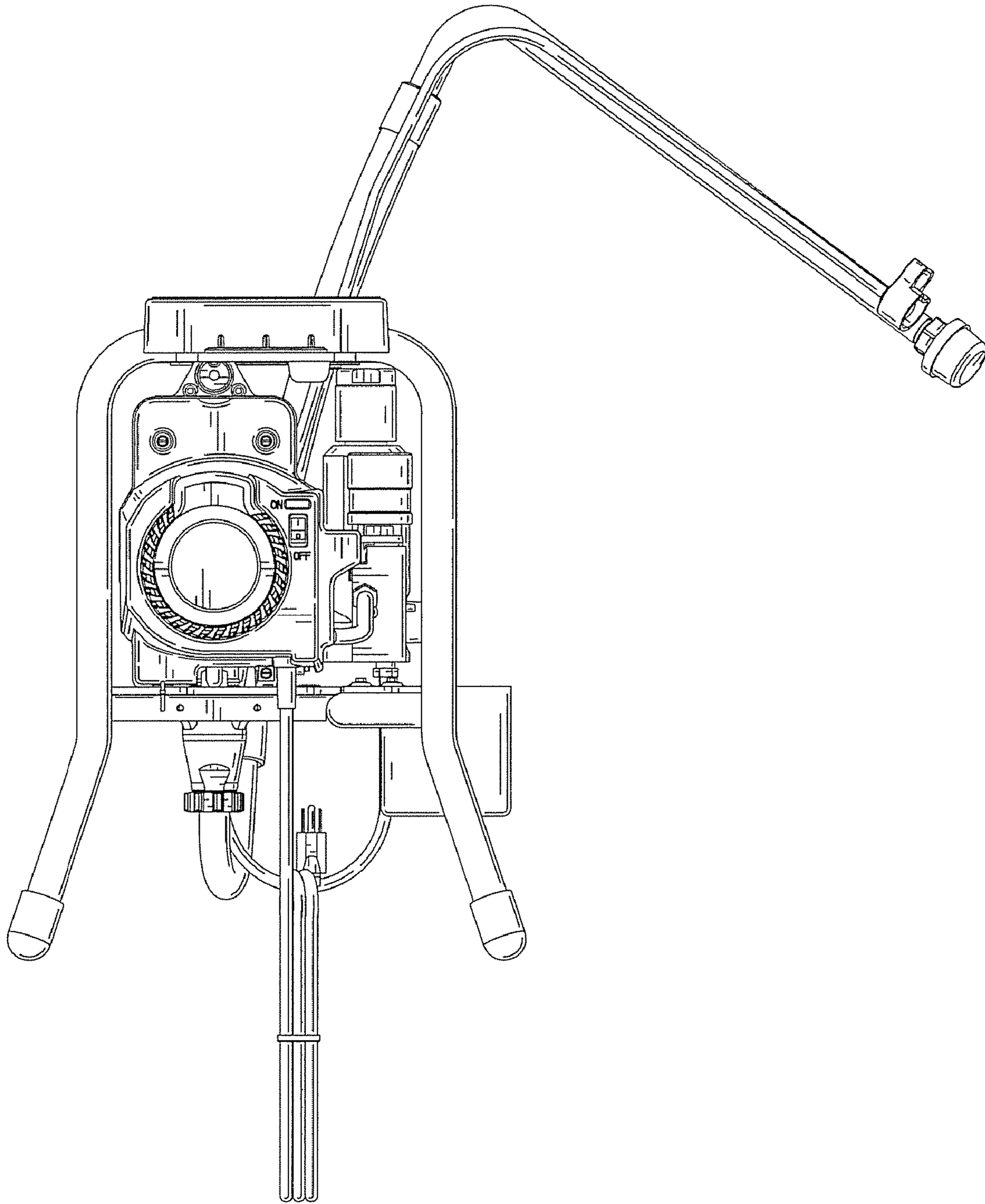


**FIG. 7**





**FIG. 8**



**FIG. 9**