



US00D580514S

(12) **United States Design Patent**  
**Bass et al.**

(10) **Patent No.:** **US D580,514 S**  
(45) **Date of Patent:** **\*\* Nov. 11, 2008**

(54) **SPRAY GUN**

(75) Inventors: **Gary S. Bass**, Independence, KY (US);  
**Ronald J. Mulford**, Aurora, IN (US);  
**Christopher Gruber**, Cincinnati, OH  
(US); **Christopher D. Klein**, Cincinnati,  
OH (US)

(73) Assignee: **Campbell Hausfeld/Scott Fetzer  
Company**, Harrison, OH (US)

(\*\*) Term: **14 Years**

(21) Appl. No.: **29/304,302**

(22) Filed: **Feb. 28, 2008**

(51) **LOC (8) Cl.** ..... **23-01**

(52) **U.S. Cl.** ..... **D23/223; D23/226**

(58) **Field of Classification Search** ..... **D23/213,**  
**D23/223, 226; 239/525-6, 291, 690-1**  
See application file for complete search history.

(56) **References Cited**

**U.S. PATENT DOCUMENTS**

D133,394 S	8/1942	Sundberg et al.	
3,796,376 A	3/1974	Farnsteiner	
D305,453 S	1/1990	Morgan	
D341,186 S *	11/1993	Albers .....	D23/226
D372,517 S	8/1996	Farnsteiner	
D405,503 S *	2/1999	Endo .....	D23/226
7,175,110 B2 *	2/2007	Vicentini .....	239/526
D538,886 S *	3/2007	Huang .....	D23/226
D552,715 S *	10/2007	Schmon et al. ....	D23/226
D553,710 S *	10/2007	Huang .....	D23/223

**OTHER PUBLICATIONS**

Picture of Campbell Hausfeld "General Purpose Spray Gun" model  
DH5300, downloaded from Campbell Hausfeld website at www.  
chpower.com on Feb. 8, 2008.

Picture of Campbell Hausfeld "Gravity Feed Spray Gun" model  
DH780000AV, downloaded from Campbell Hausfeld website at  
www.chpower.com on Feb. 8, 2008.

\* cited by examiner

*Primary Examiner*—Robin V Webster  
(74) *Attorney, Agent, or Firm*—Jones Day

(57) **CLAIM**

The ornamental design for a spray gun, as shown and  
described.

**DESCRIPTION**

FIG. 1 is a perspective view of a spray gun in accordance with  
a first embodiment of the ornamental design of the present  
invention.

FIG. 2 is a side view thereof.

FIG. 3 is an opposite side view thereof.

FIG. 4 is a front view thereof.

FIG. 5 is a rear view thereof.

FIG. 6 is a top view thereof.

FIG. 7 is a bottom view thereof.

FIG. 8 is a perspective view similar to FIG. 1, with the spray  
gun shown attached to a paint cup.

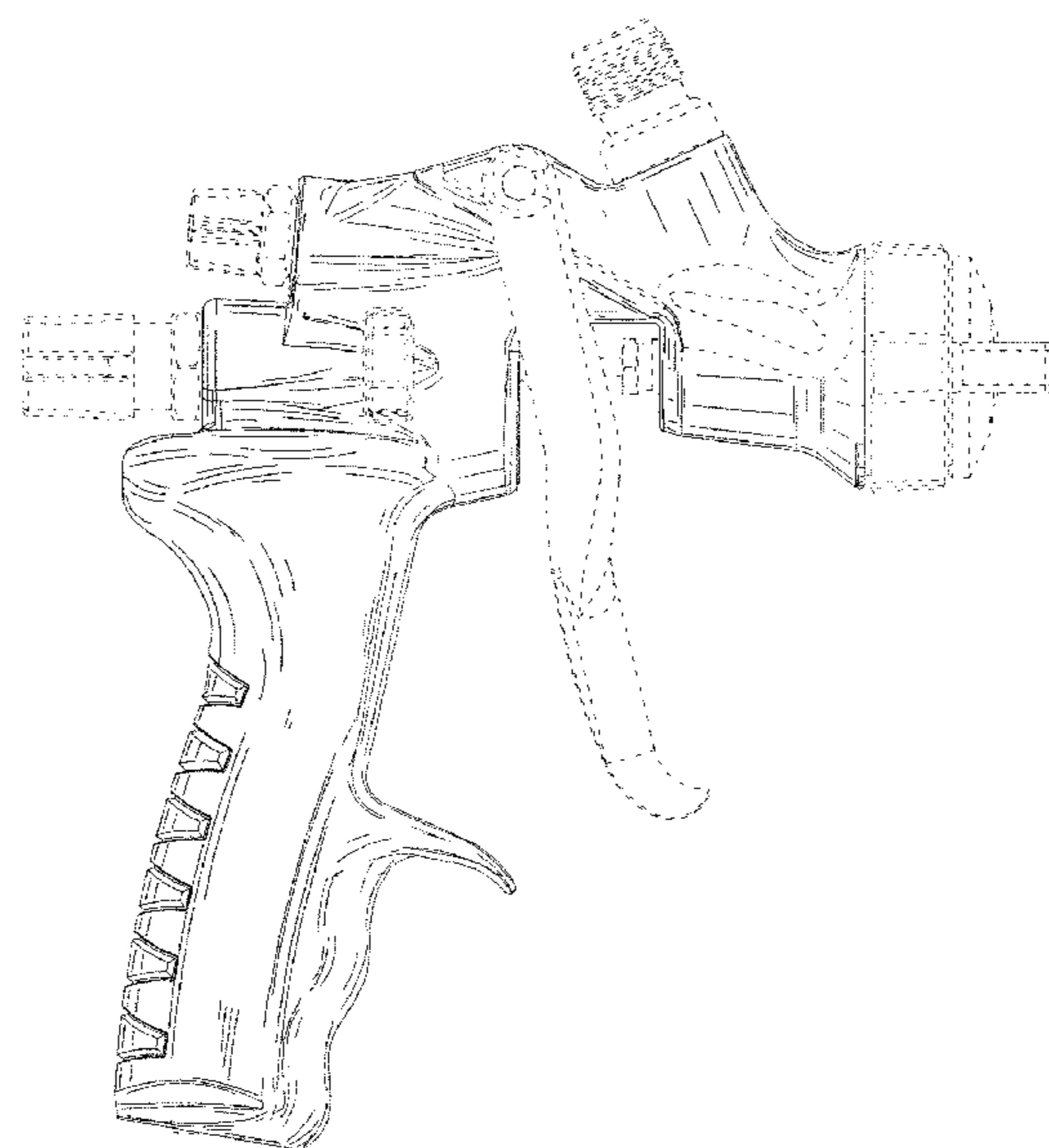
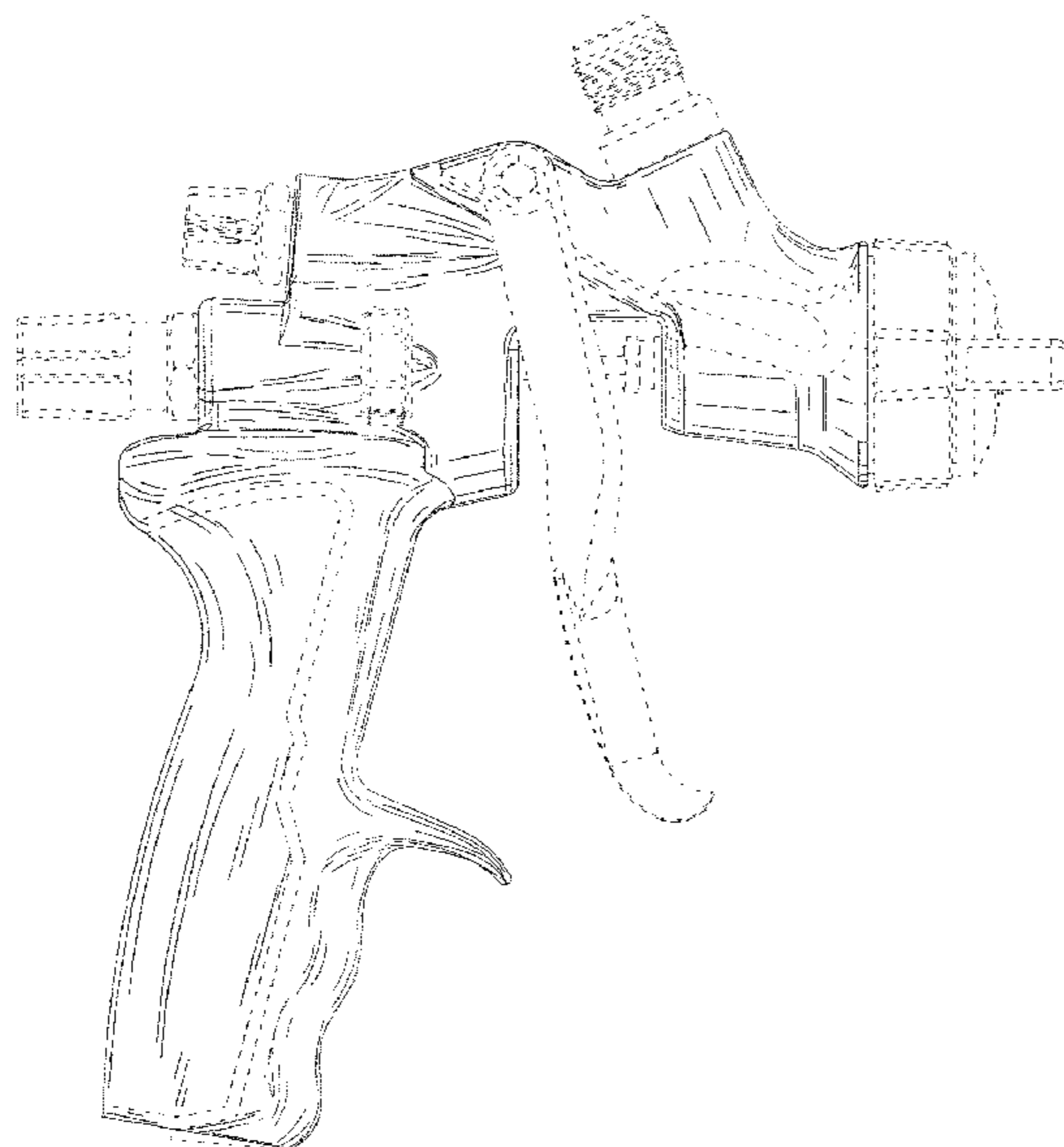
FIG. 9 is a side view of a spray gun in accordance with a  
second embodiment of the ornamental design of the present  
invention, the second embodiment differing from the first  
embodiment in its inclusion of a groove pattern along the rear  
surface of the spray gun's handle.

FIG. 10 is an opposite side view thereof; and,

FIG. 11 is a rear view thereof.

The broken lines in the figures are for illustrative purposes  
only and form no part of the claimed design.

**1 Claim, 9 Drawing Sheets**



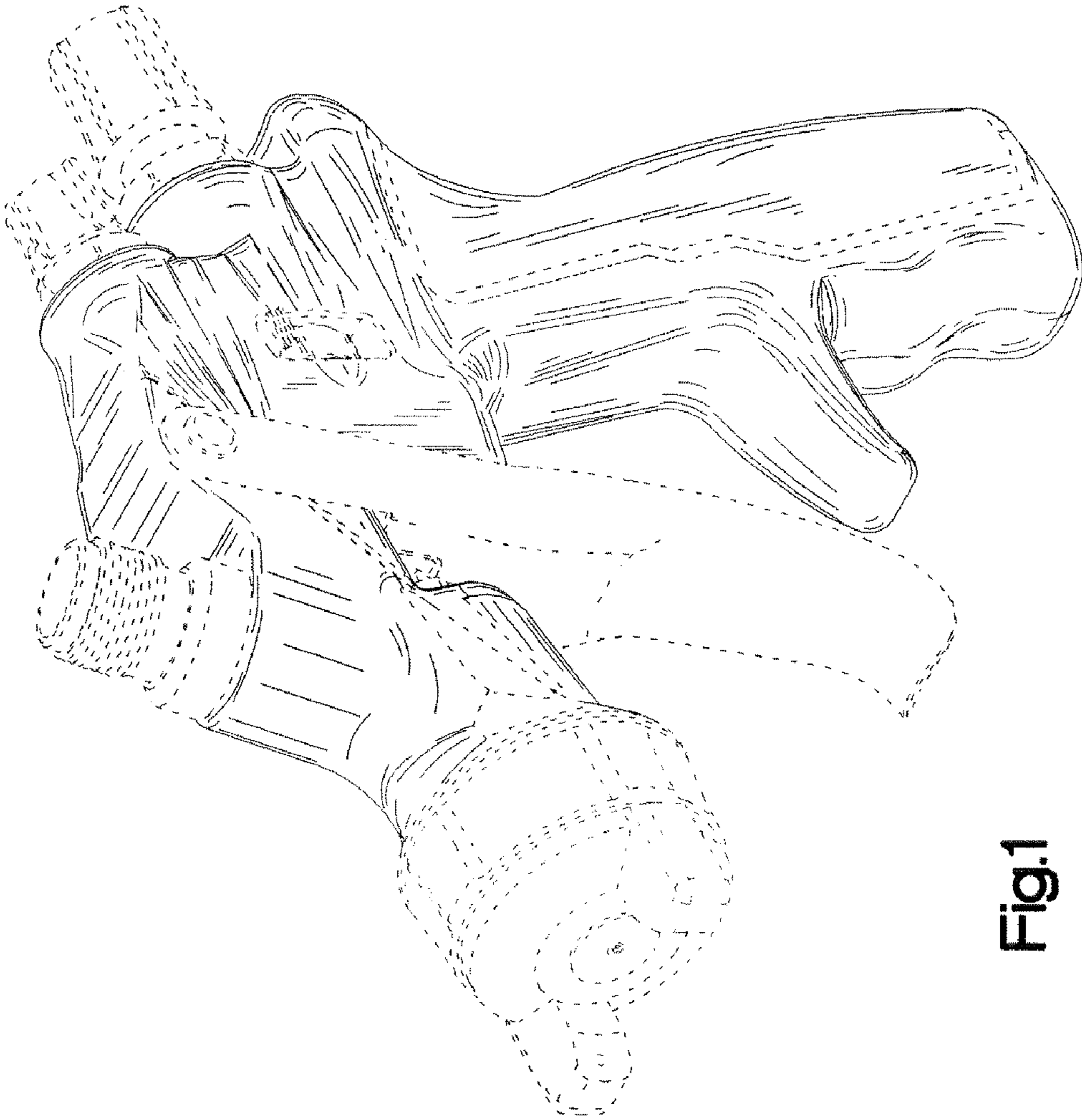


Fig.1

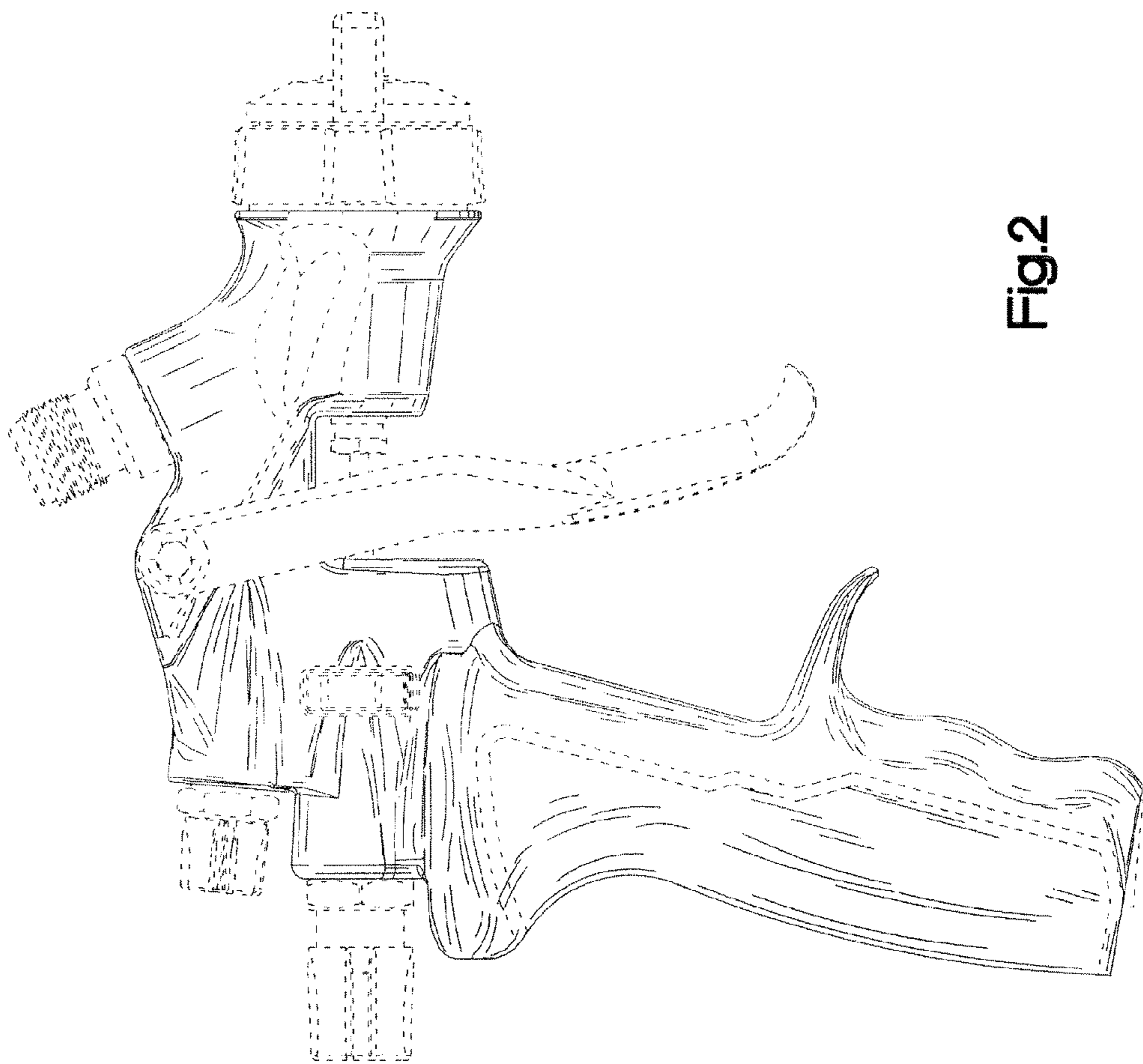


Fig.2

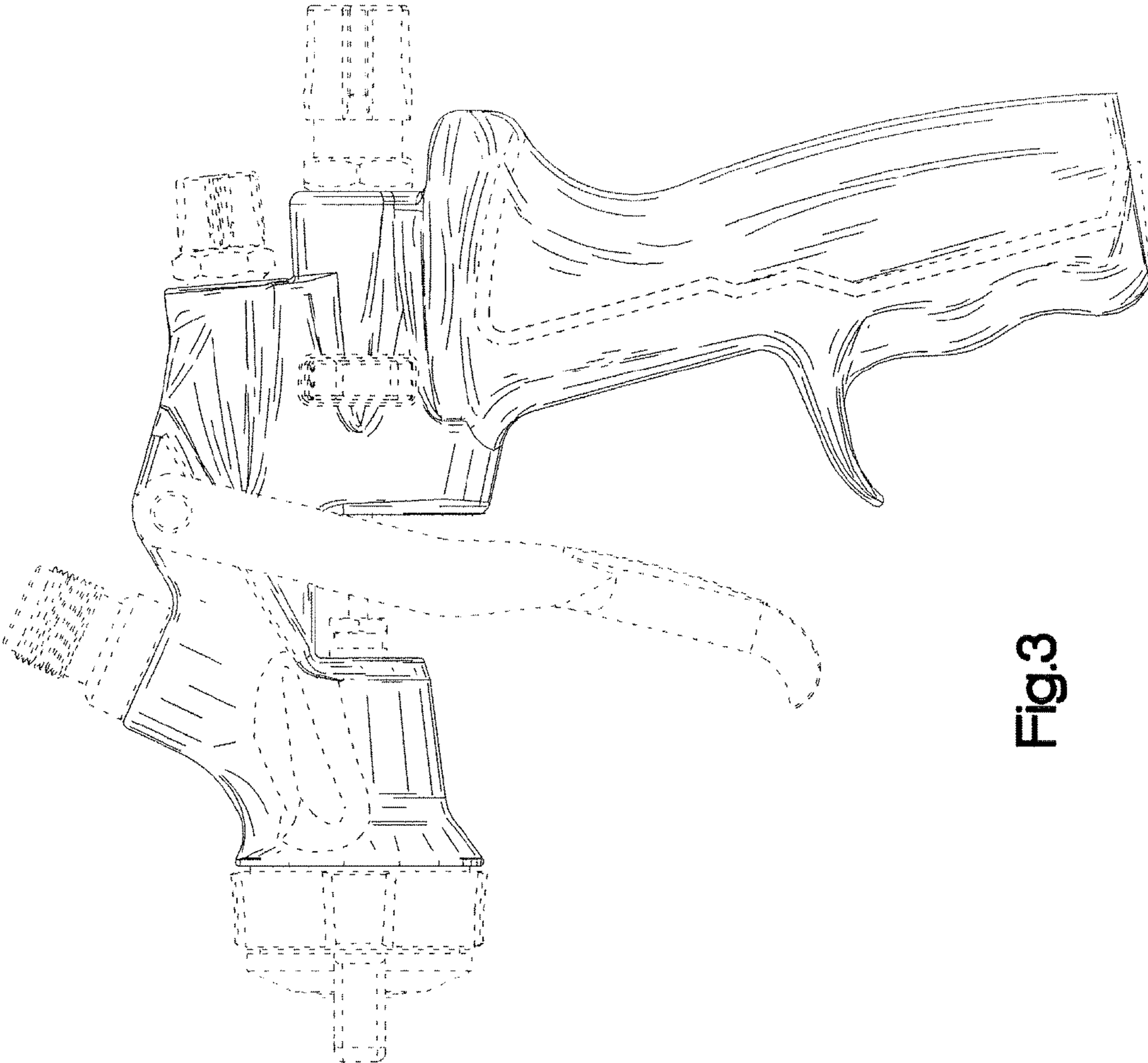


Fig.3

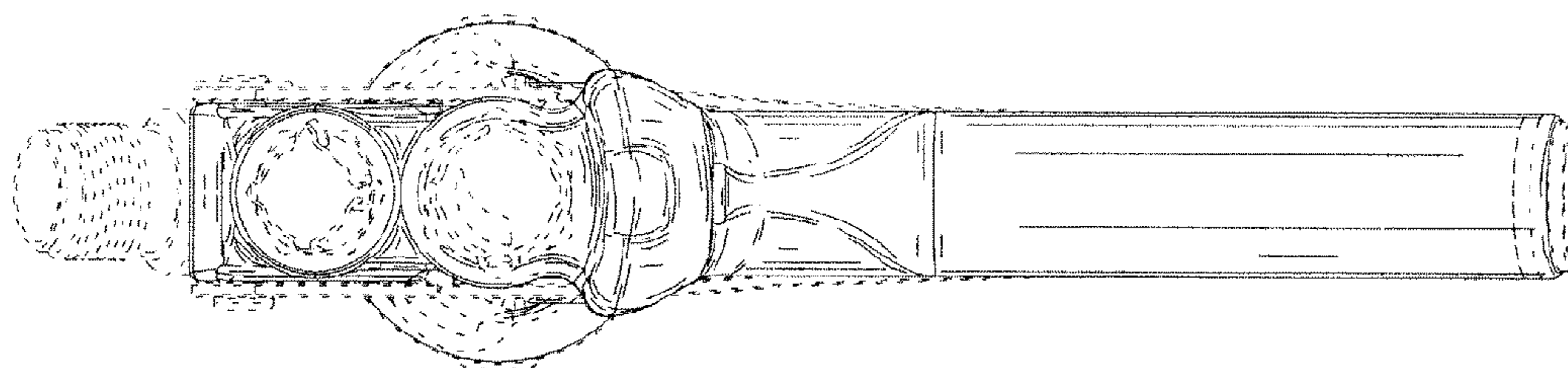


Fig.5

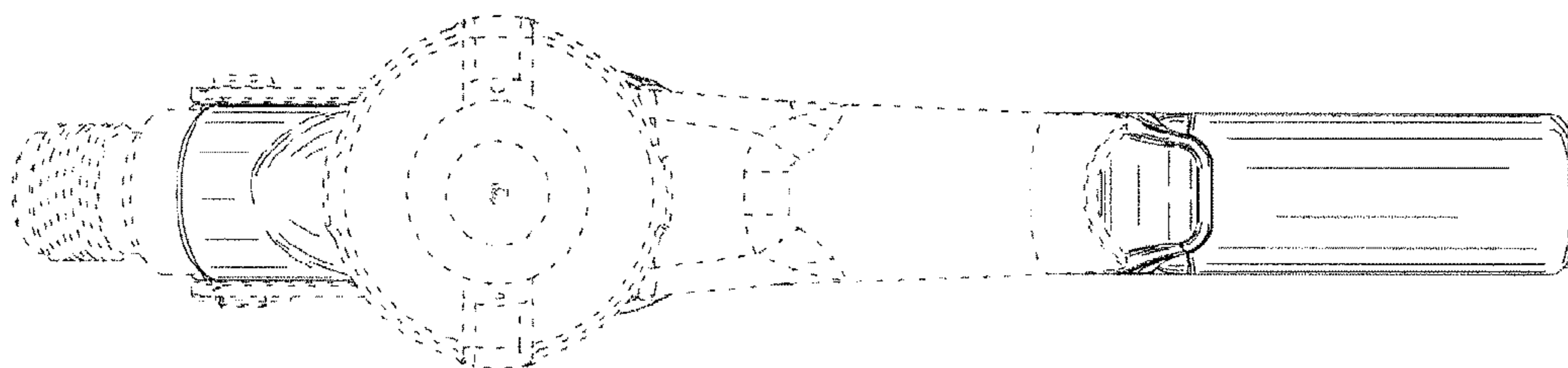


Fig.4

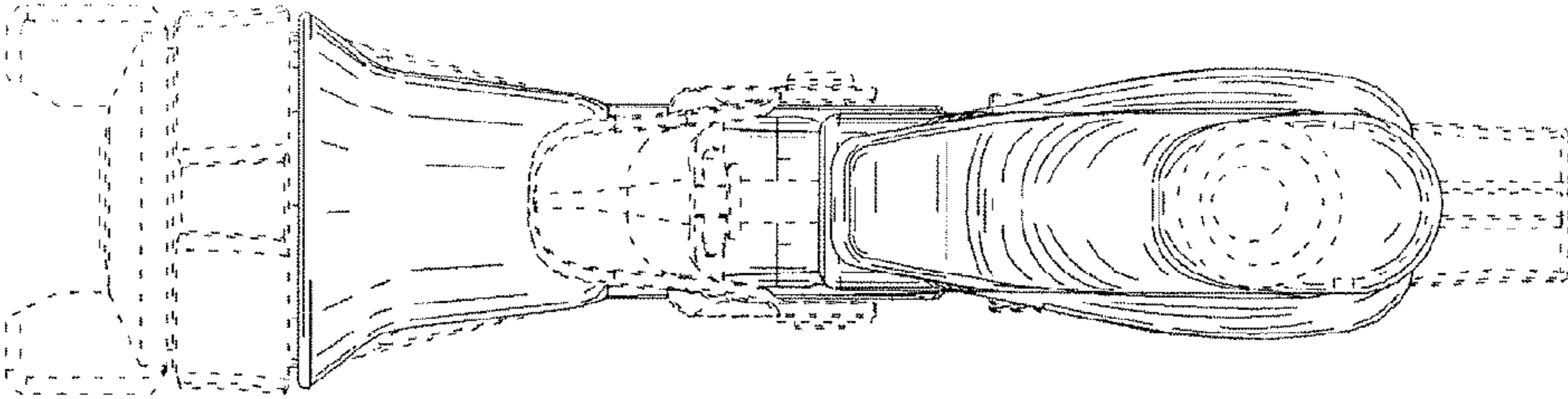


Fig.7

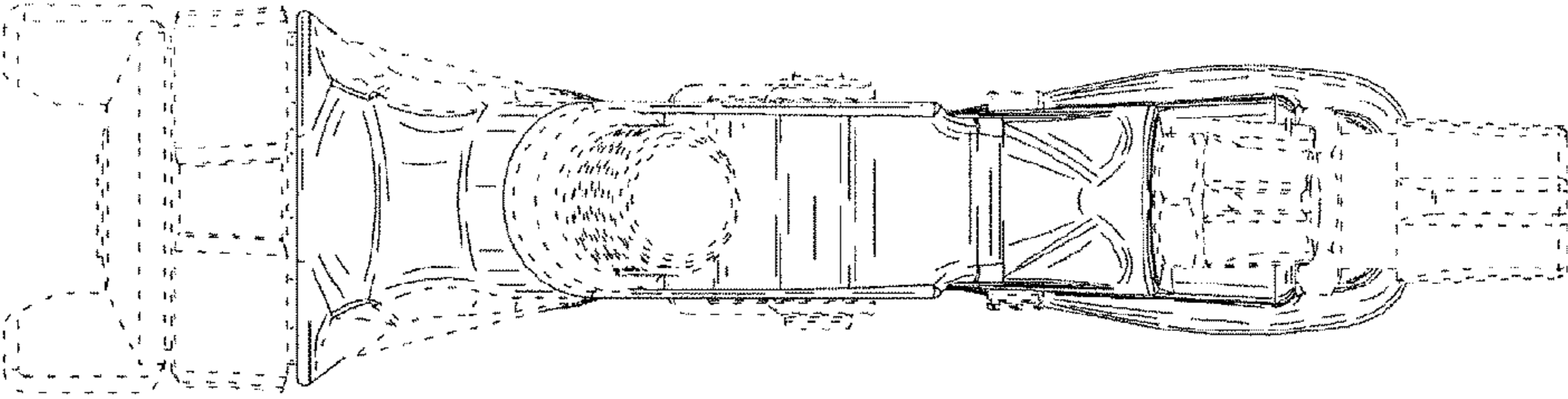


Fig.6

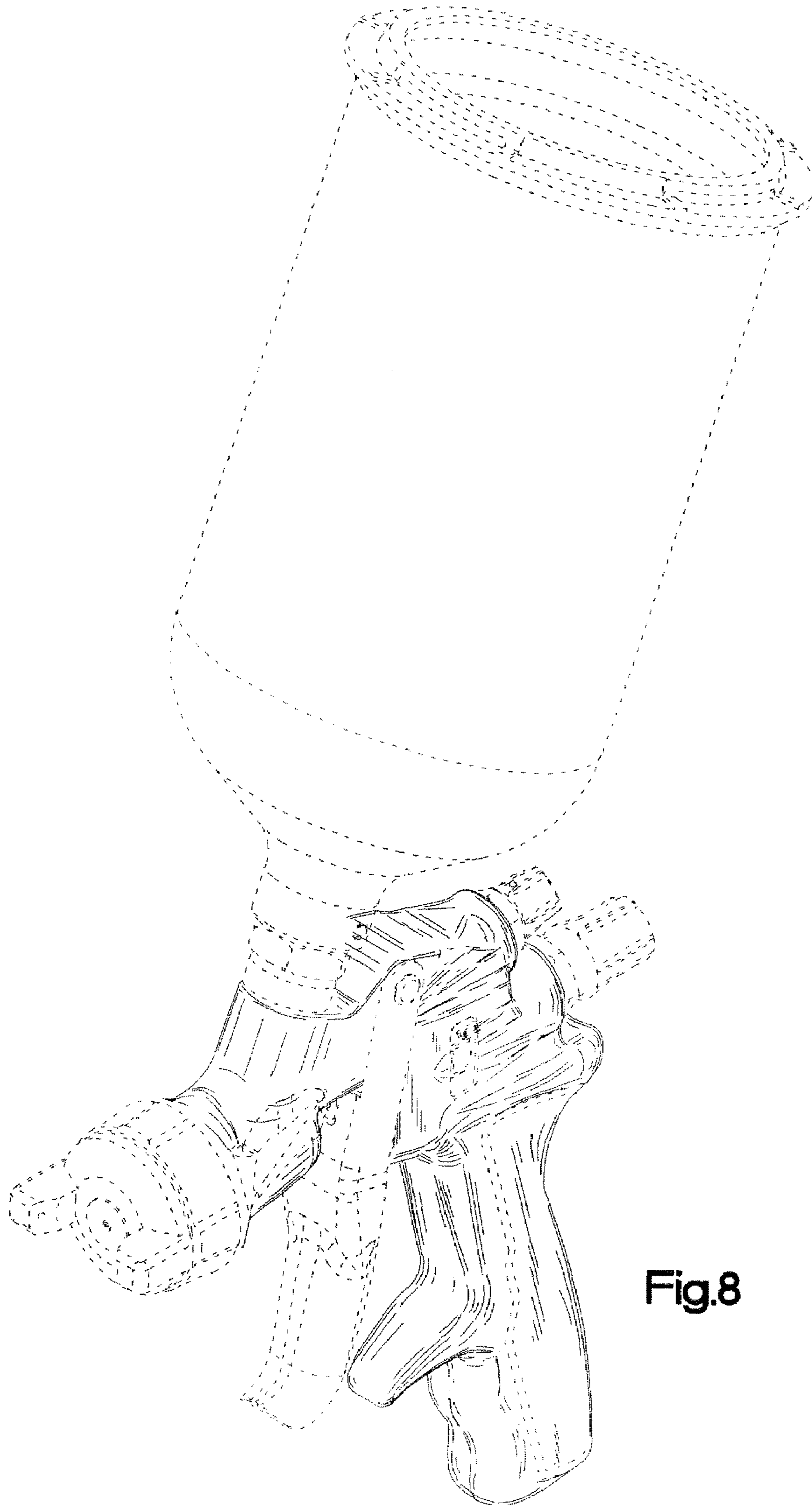


Fig.8

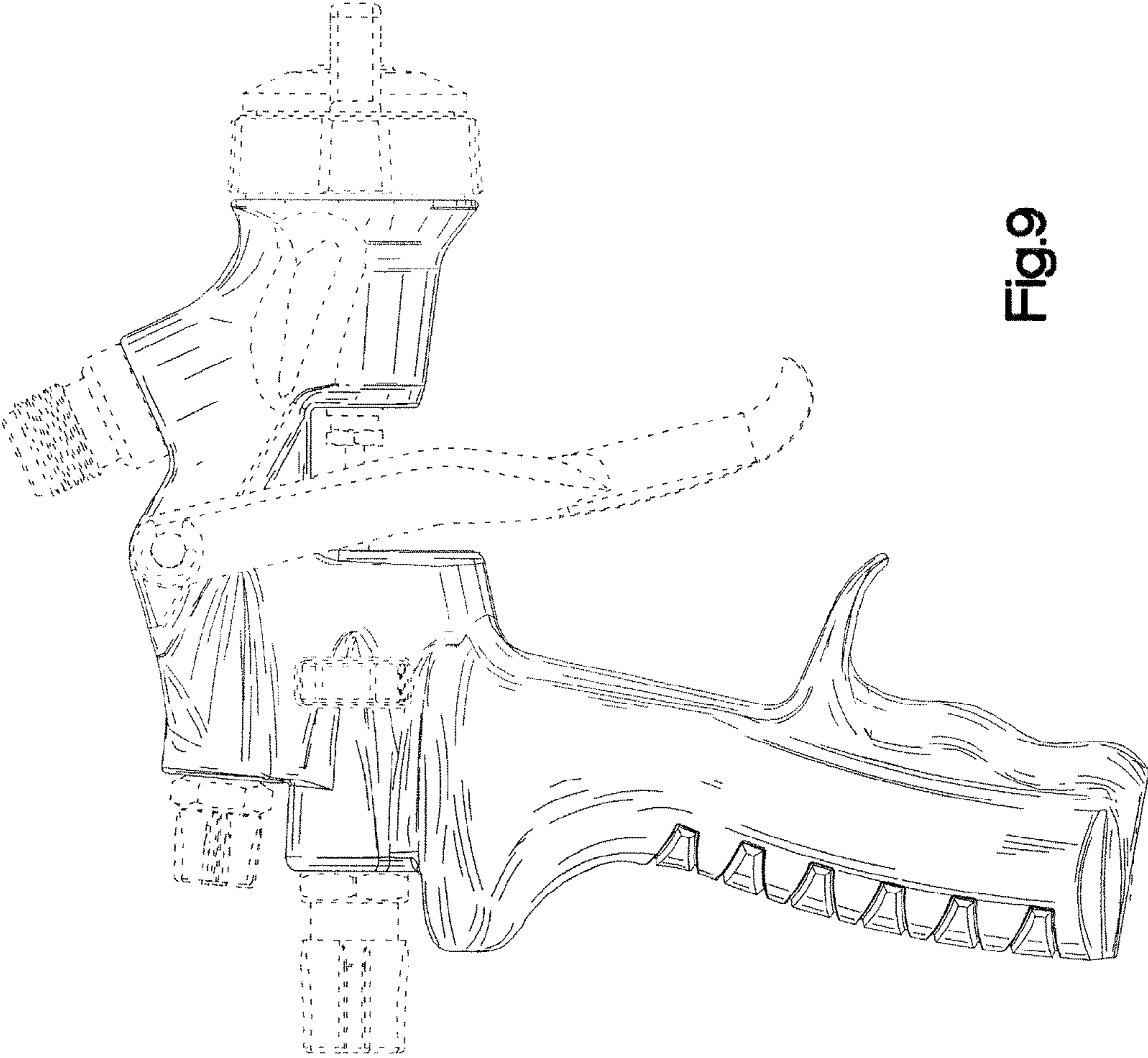


Fig.9



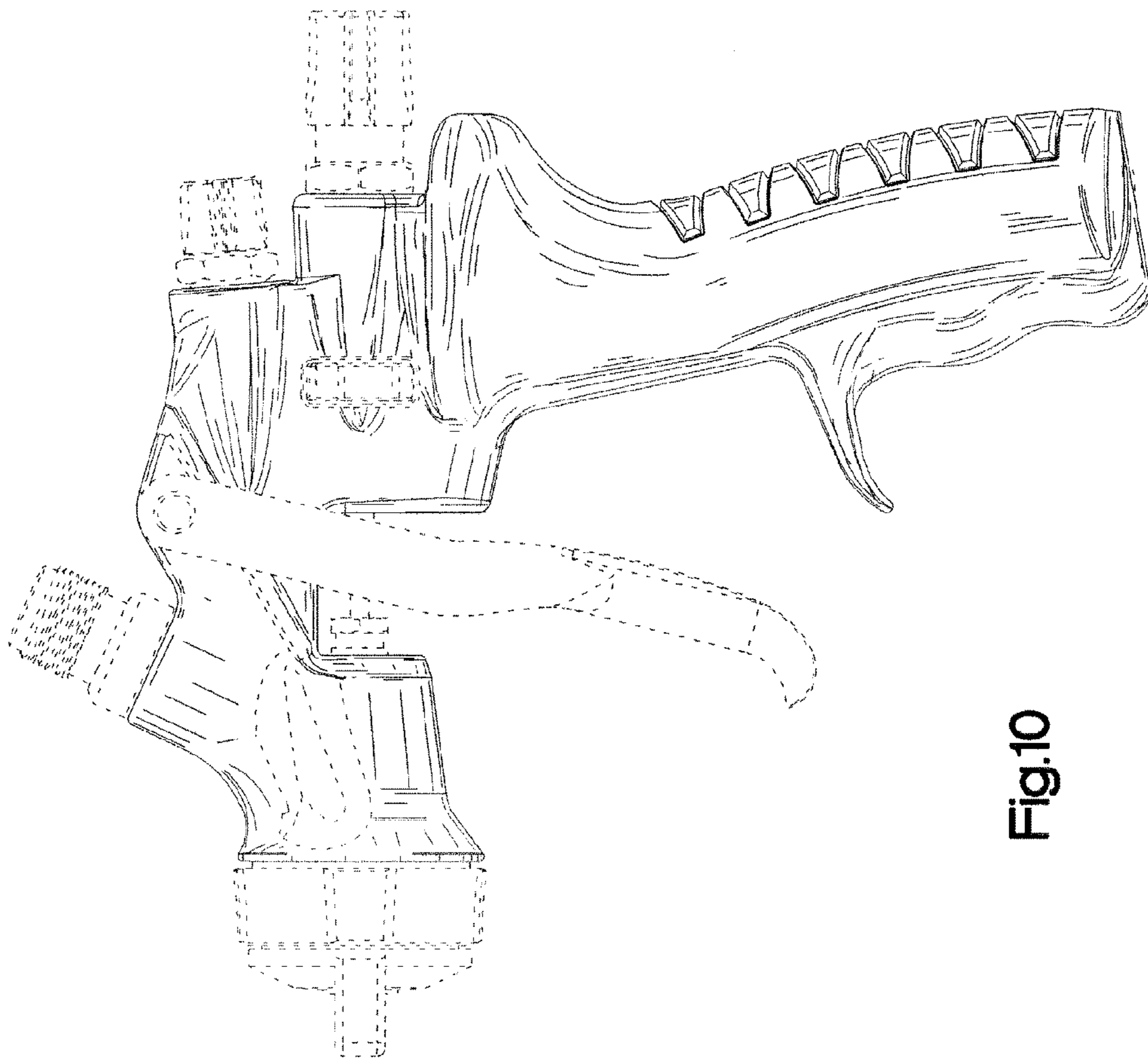


Fig.10

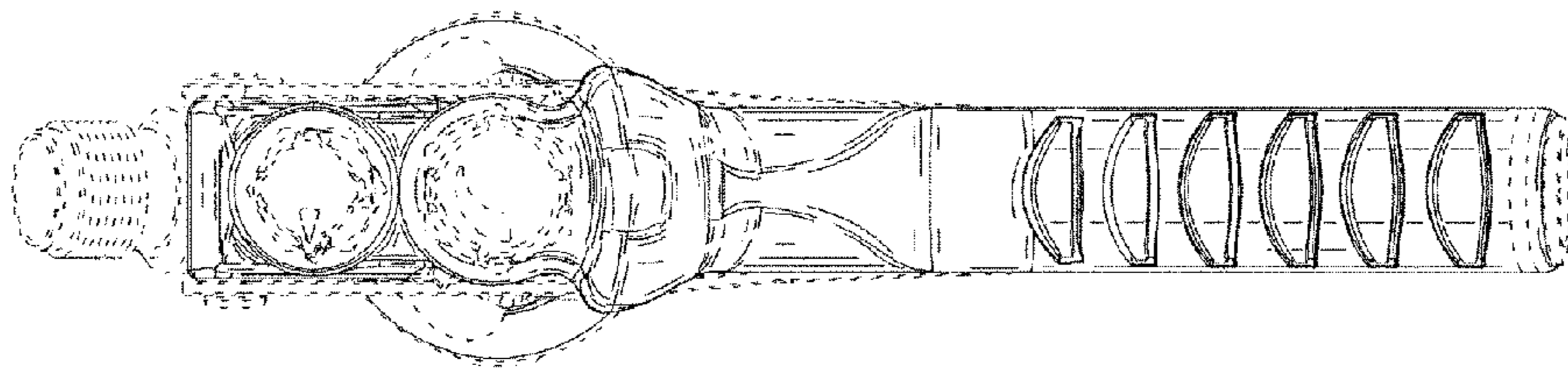


Fig.11