



US00D580499S

(12) **United States Design Patent**
Kronenberg

(10) **Patent No.:** **US D580,499 S**

(45) **Date of Patent:** **** Nov. 11, 2008**

(54) **CHESS GAME PIECE**

(75) Inventor: **David Kronenberg**, 345 W. Fullerton Pkwy., #1004, Chicago, IL (US) 60614

(73) Assignee: **David Kronenberg**, Chicago, IL (US)

(**) Term: **14 Years**

(21) Appl. No.: **29/276,476**

(22) Filed: **Jan. 26, 2007**

(51) **LOC (8) Cl.** **21-01**

(52) **U.S. Cl.** **D21/388**

(58) **Field of Classification Search** D21/334-368,
D21/385-391; 273/236-288, 148 R; D9/451;
D11/124-125, 131, 157

See application file for complete search history.

(56) **References Cited**

U.S. PATENT DOCUMENTS

D47,483 S *	6/1915	Burger	D11/114
D136,454 S *	10/1943	Paige	D21/389
D172,810 S *	8/1954	Sellers	D21/389
D187,178 S *	2/1960	Knaust	D11/157
D228,241 S *	8/1973	Auclair	D11/118
3,843,132 A *	10/1974	Ferguson	273/238

* cited by examiner

Primary Examiner—Sandra L. Morris

(74) *Attorney, Agent, or Firm*—Miller, Matthias & Hull

(57) **CLAIM**

The ornamental design for a chess game piece, as shown and described.

DESCRIPTION

FIG. 1 is a perspective view of the chess game piece, showing my invention;

FIG. 2 is a front view thereof, the rear being identical;

FIG. 3 is a right side view thereof, the left side being identical;

FIG. 4 is a top view thereof;

FIG. 5 is a bottom view thereof;

FIG. 6 is a perspective view of a second embodiment of the chess game piece;

FIG. 7 is a front view thereof, the rear being identical;

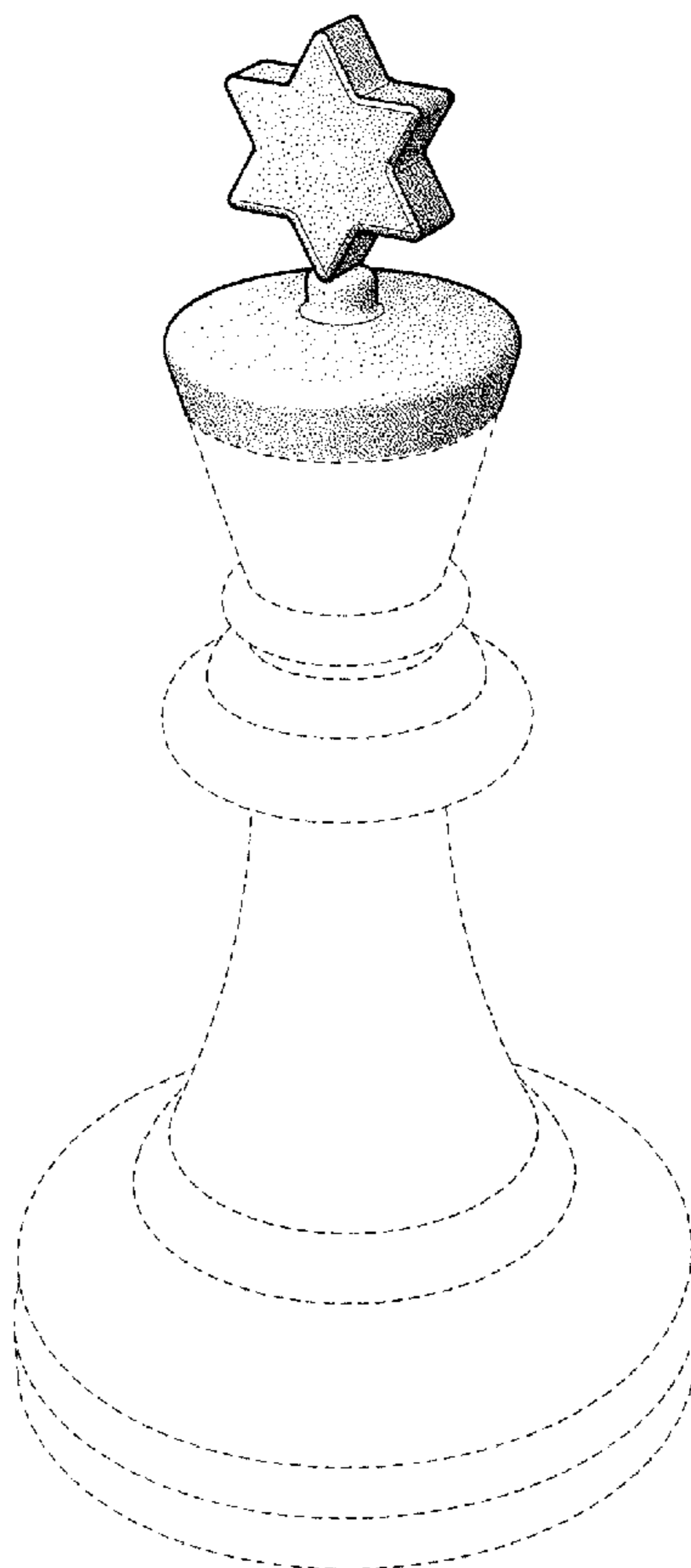
FIG. 8 is a right side view thereof, the left side being identical;

FIG. 9 is a top view thereof; and,

FIG. 10 is a bottom view thereof.

The broken line showing of the body of the chess piece is for illustrative purposes only, and forms no part of the claimed design.

1 Claim, 4 Drawing Sheets



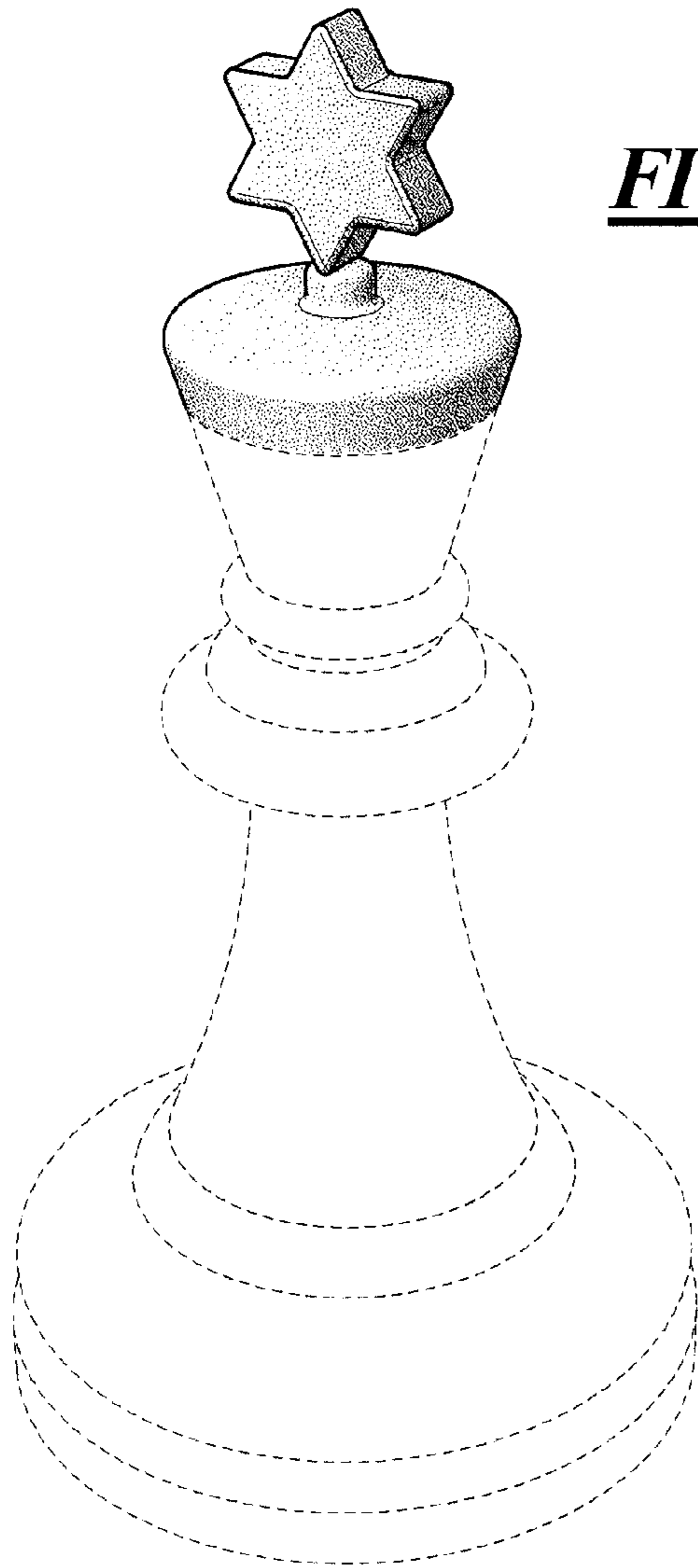


FIG. 1

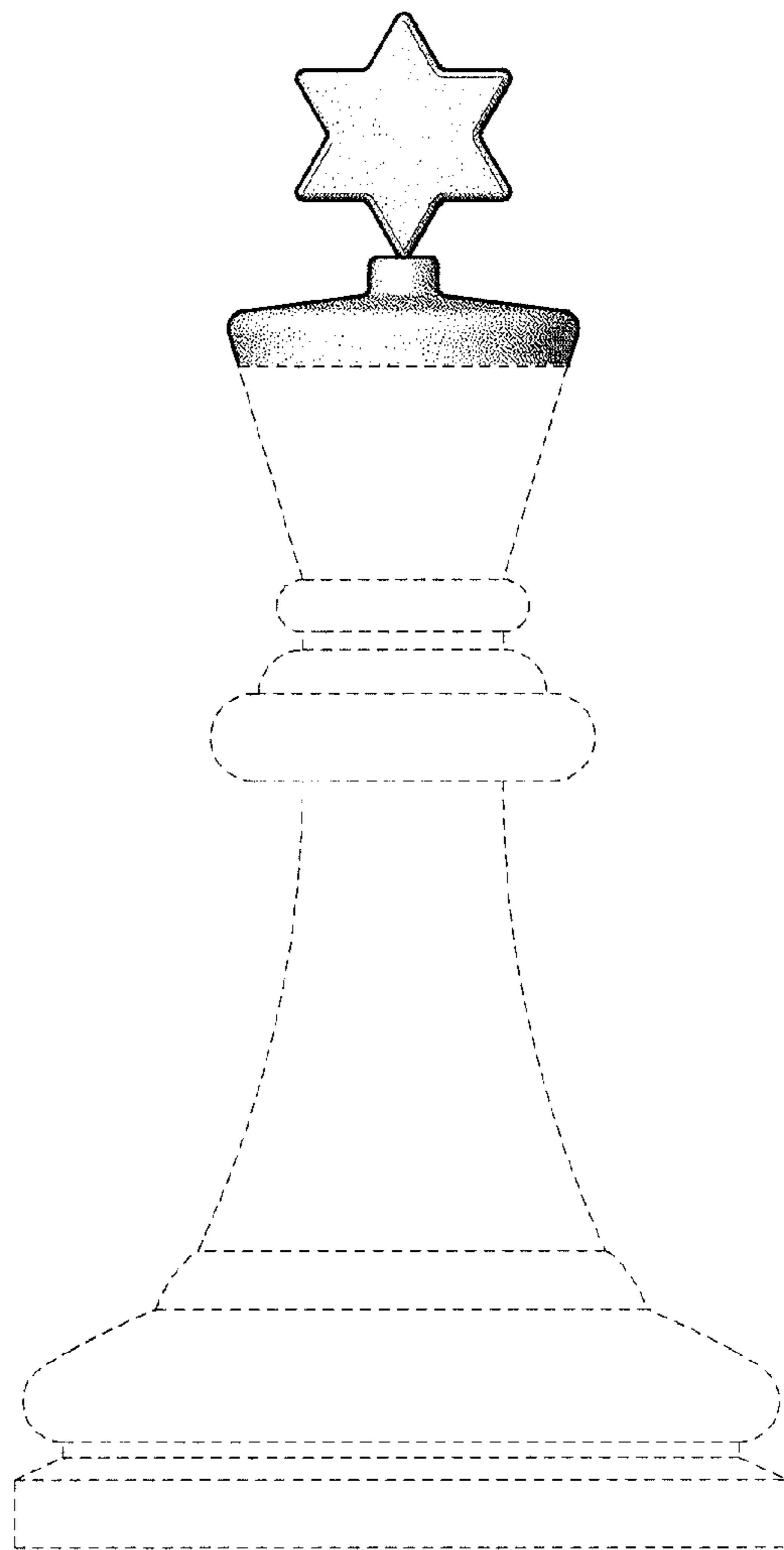


FIG. 2

FIG. 3

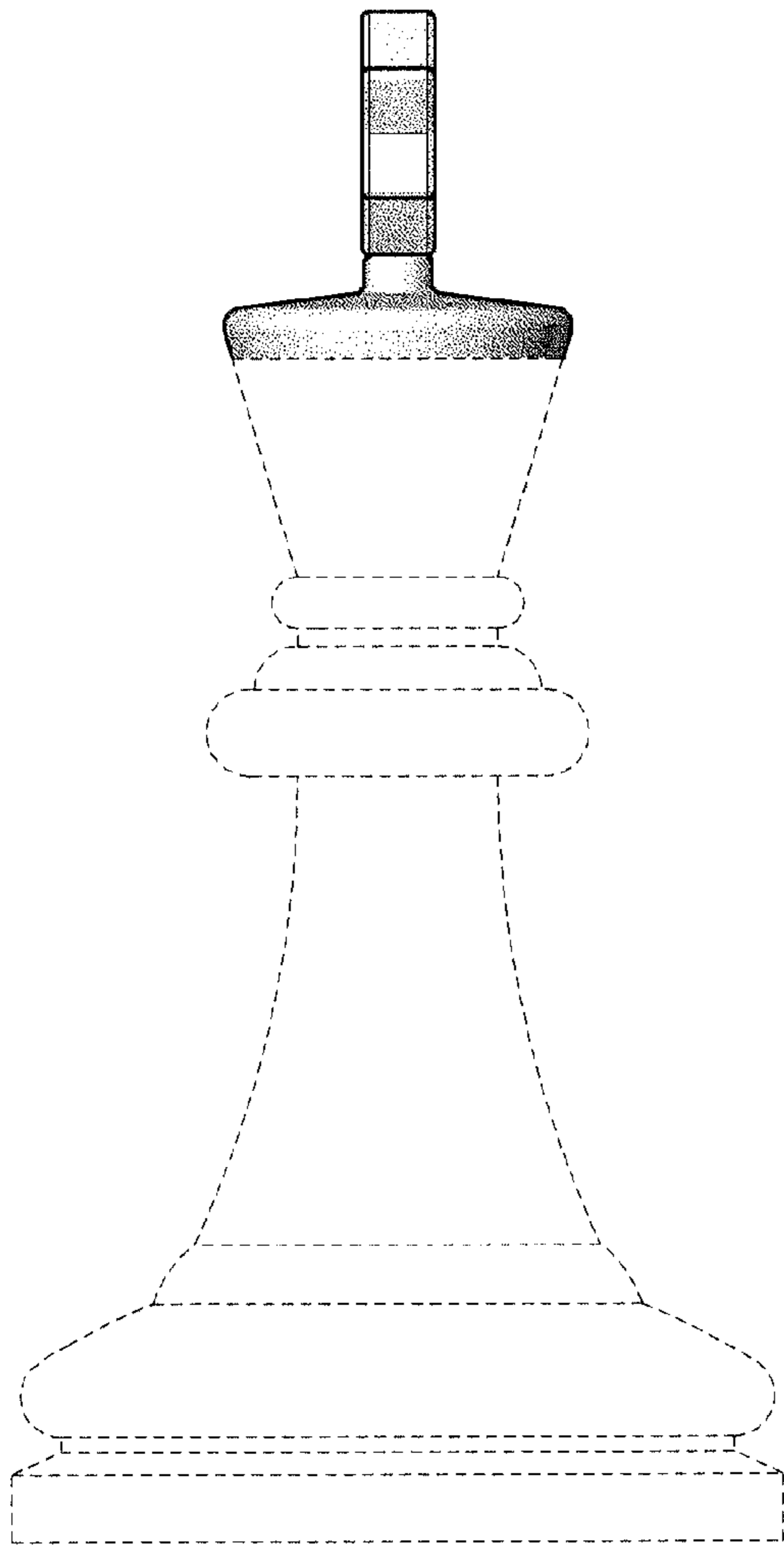


FIG. 4

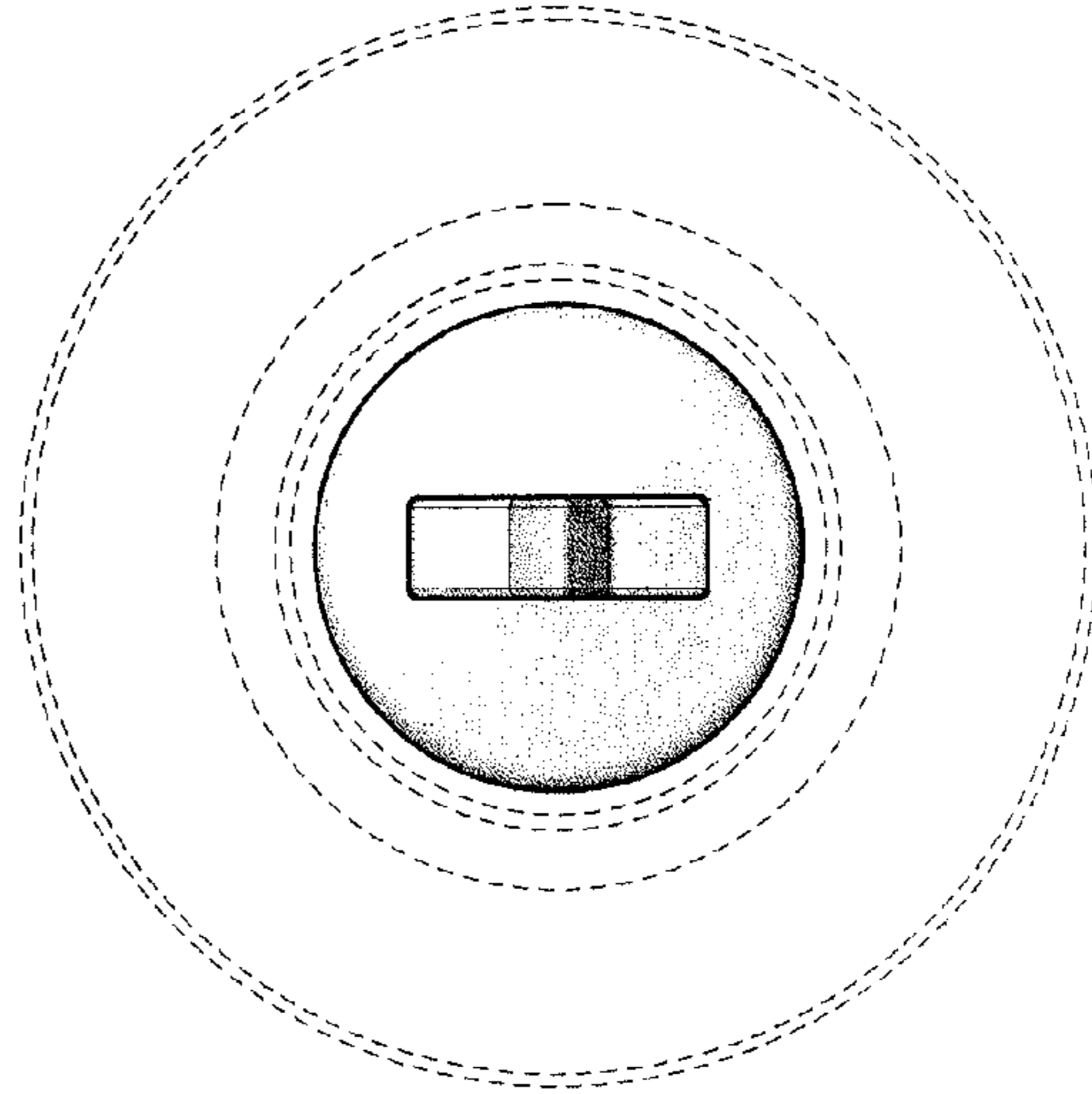
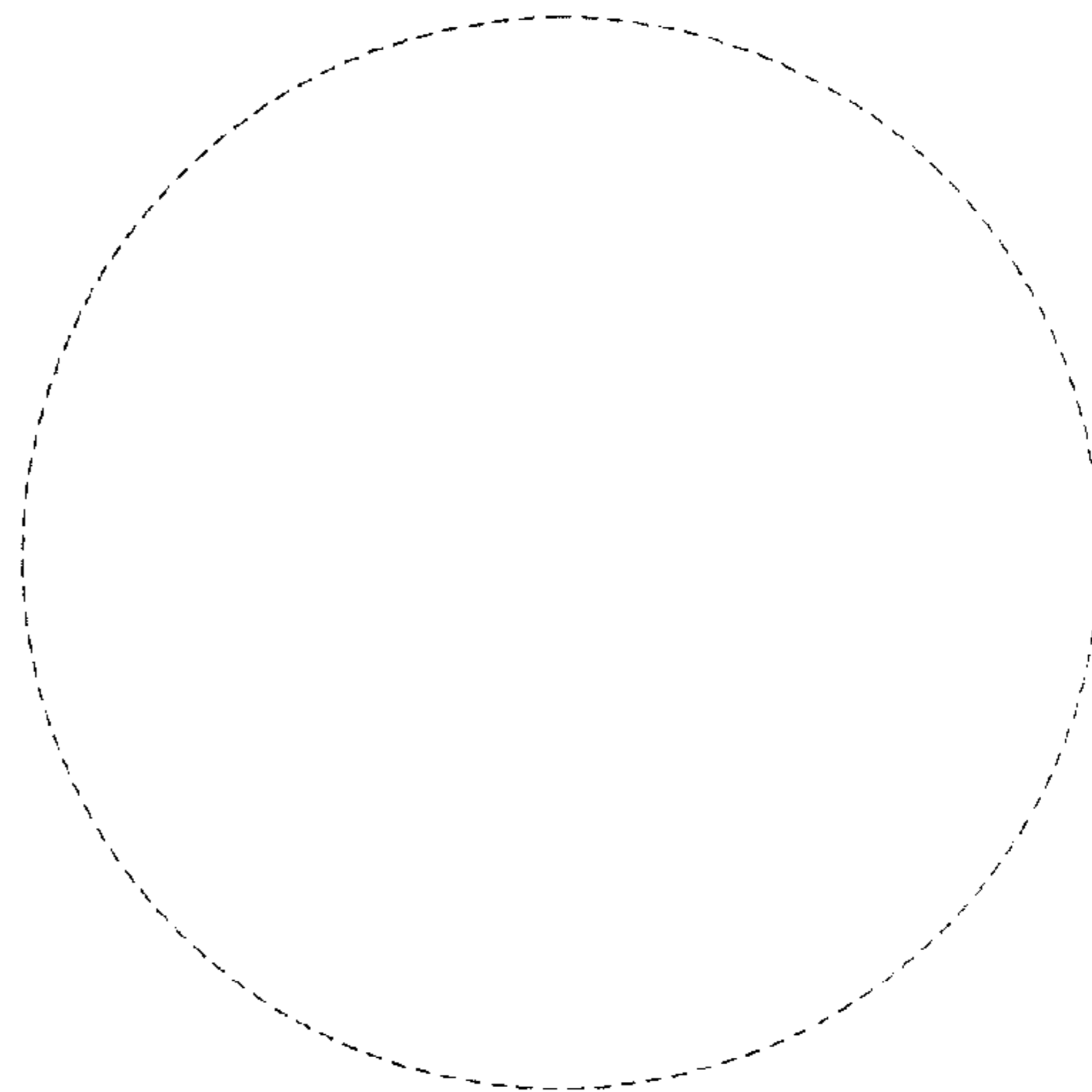


FIG. 5



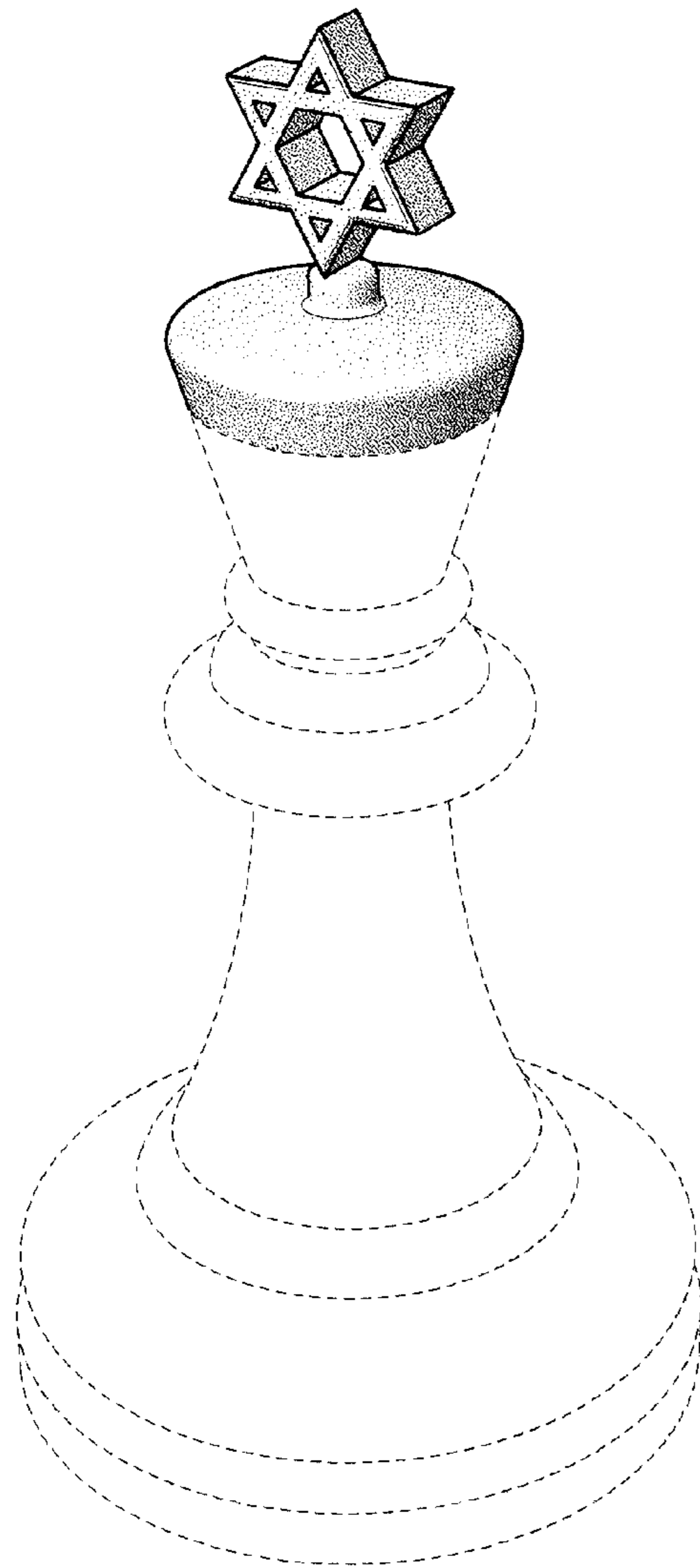


FIG. 6

FIG. 7

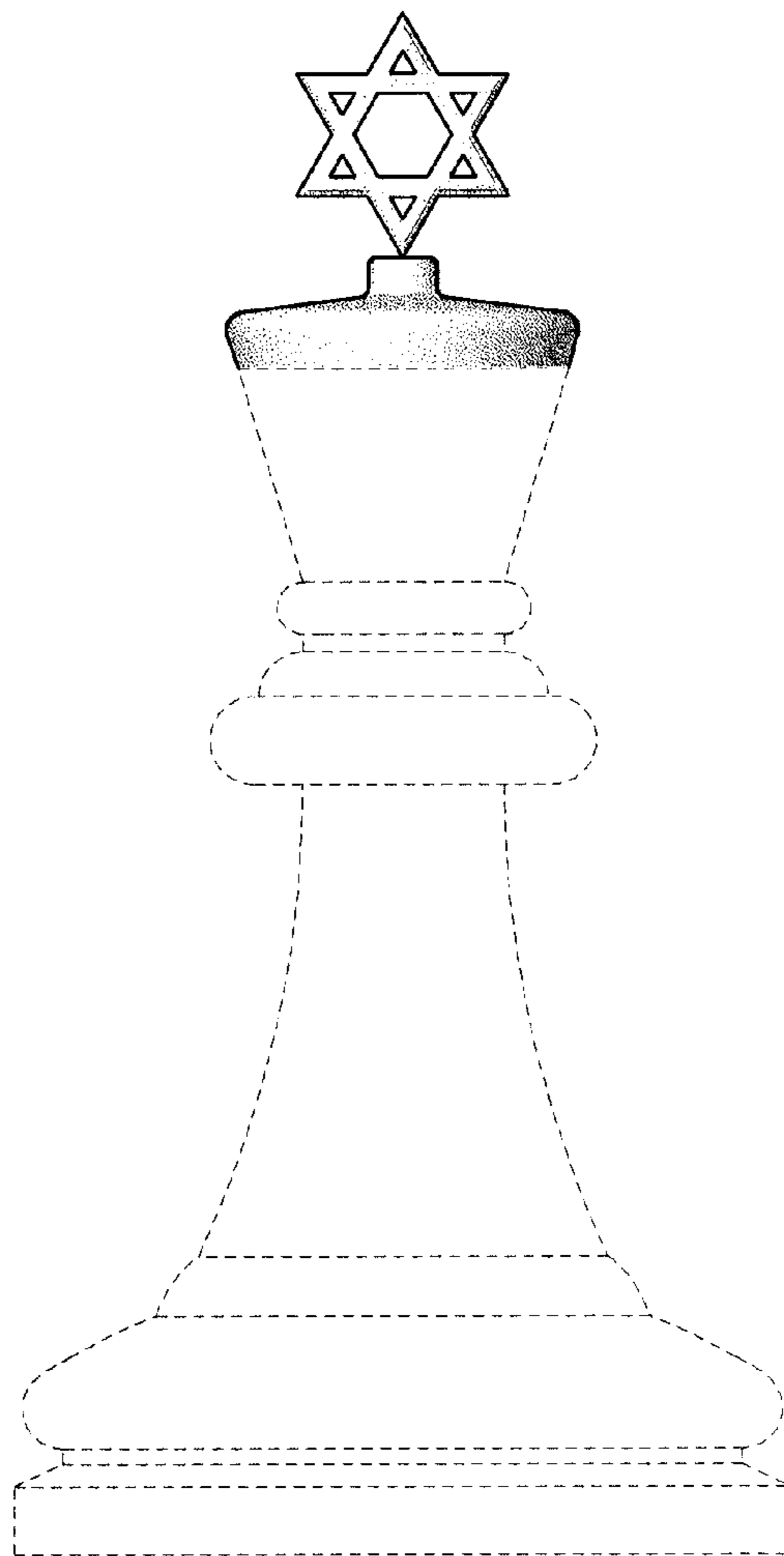


FIG. 8

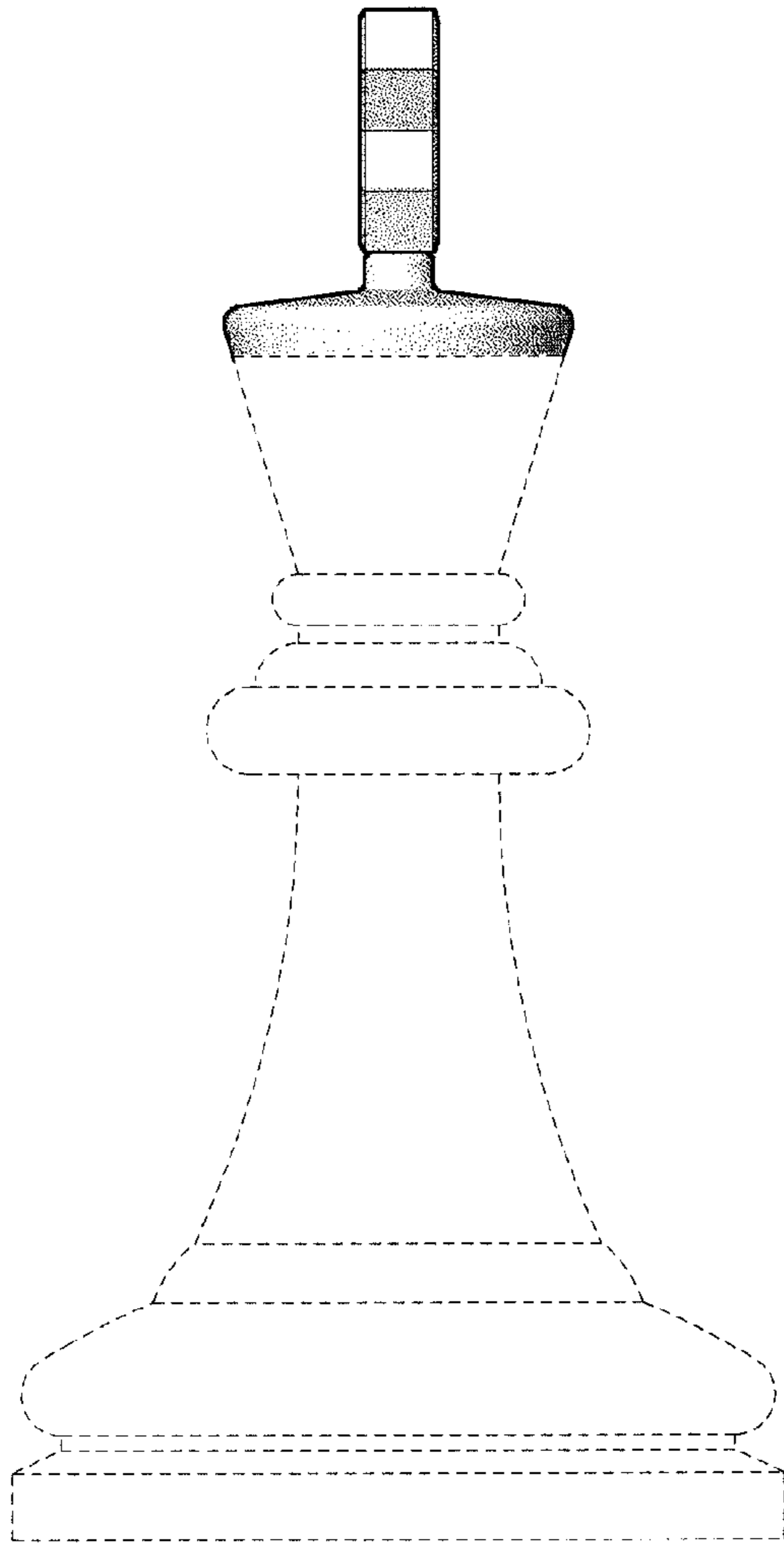


FIG. 9

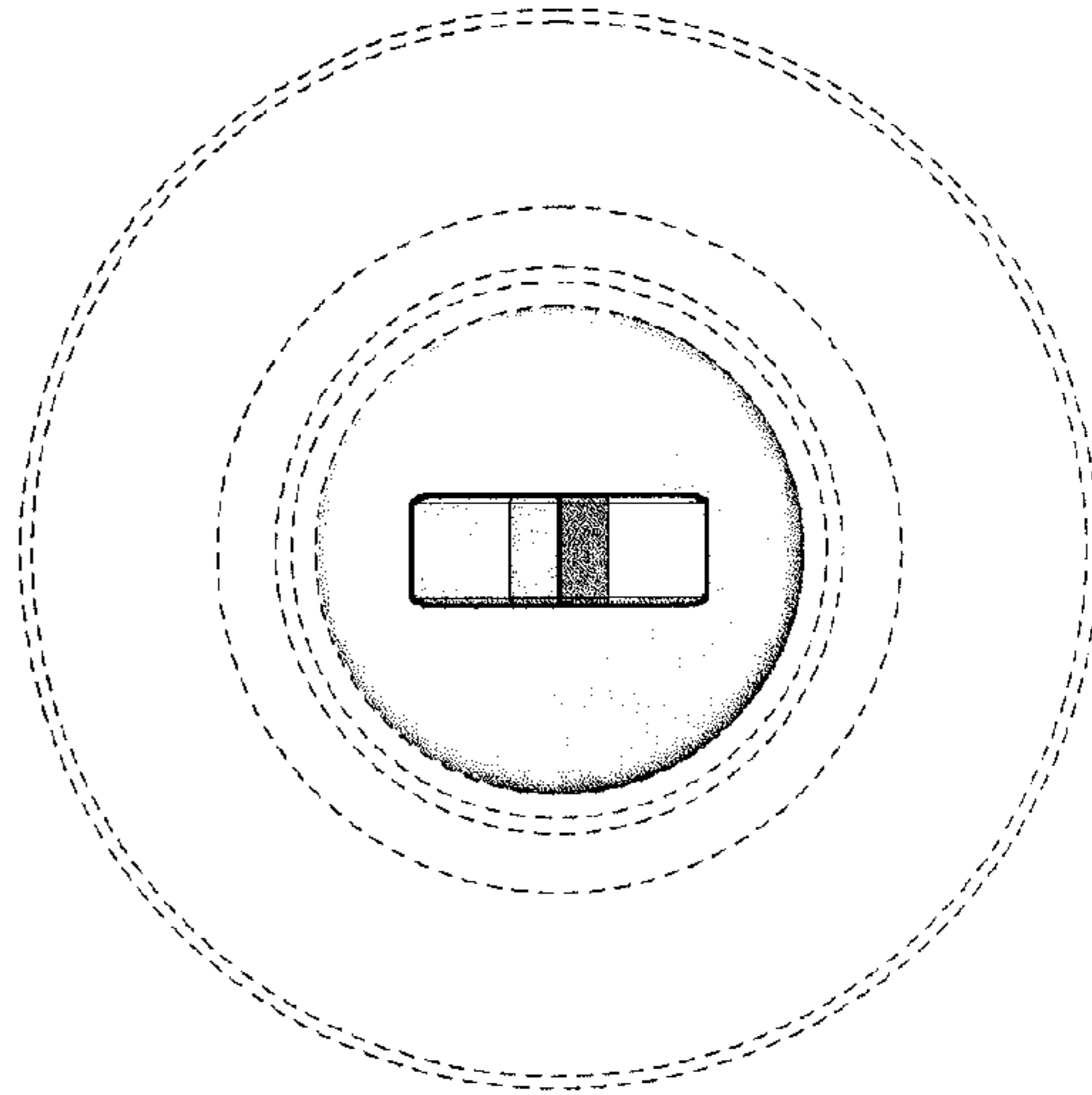


FIG. 10

