



US00D580498S

(12) **United States Design Patent**
Healy et al.

(10) **Patent No.:** **US D580,498 S**

(45) **Date of Patent:** **** Nov. 11, 2008**

(54) **SIGN SUPPORT**

(75) Inventors: **Donall B. Healy**, New York, NY (US);
Marco Perry, Brooklyn, NY (US); **Jim Best**,
Hewitt, NJ (US); **Todd Brunner**, Brooklyn, NY (US)

(73) Assignee: **Visual Graphic Systems Inc.**, New York, NY (US)

(**) Term: **14 Years**

(21) Appl. No.: **29/302,547**

(22) Filed: **Jan. 18, 2008**

(51) **LOC (8) Cl.** **20-03**

(52) **U.S. Cl.** **D20/43**

(58) **Field of Classification Search** D20/10,
D20/42-44, 99; 40/124.05, 309, 316, 360,
40/640.02, 644, 653, 654, 654.01, 658, 661,
40/661.06, 662, 715; D8/349; D19/37, 56,
D19/90

See application file for complete search history.

(56) **References Cited**

U.S. PATENT DOCUMENTS

2,064,127	A	12/1936	Schneider	
D128,793	S	8/1941	Bonnell	
2,276,776	A *	3/1942	Hofmann	40/715
D207,298	S	4/1967	Edwards	
D253,601	S *	12/1979	Weber et al.	D19/37
4,506,416	A	3/1985	Ohminato et al.	
D303,811	S	10/1989	de Witt	
D308,990	S *	7/1990	Grossman	D20/43
5,230,535	A	7/1993	Figlenski	
D350,566	S	9/1994	Pearson	
D372,499	S	8/1996	Carlson et al.	

D392,686	S	3/1998	Sarkisian et al.	
D435,270	S	12/2000	Healy	
D445,837	S	7/2001	Waterhouse	
6,298,591	B1	10/2001	Healy	
6,308,446	B1	10/2001	Healy	
D450,776	S	11/2001	Albrecht	
D458,641	S	6/2002	Marcos et al.	
6,450,471	B1	9/2002	Wear	
D476,040	S *	6/2003	LeKay	D20/44
D484,544	S	12/2003	Healy	
D485,313	S	1/2004	Healy	
D546,892	S *	7/2007	Bruegmann	D20/44

* cited by examiner

Primary Examiner—Caron Veynar

Assistant Examiner—Mary Ann Calabrese

(74) *Attorney, Agent, or Firm*—Darby & Darby

(57) **CLAIM**

The ornamental design for sign support, as shown and described.

DESCRIPTION

FIG. 1 is a front-perspective view of a sign support according to the invention;

FIG. 2 is a top plan view of the sign support;

FIG. 3 is a rear elevational view of the sign support;

FIG. 4 is a bottom plan view of the sign support;

FIG. 5 is a front elevational view of the sign support; and,

FIG. 6 is a left side elevational view of the sign support of FIG. 1, the right side elevational view being a mirror image thereof.

In the drawings, the broken lines showing of the sign in FIG. 1 forms no part of the claimed design.

1 Claim, 3 Drawing Sheets

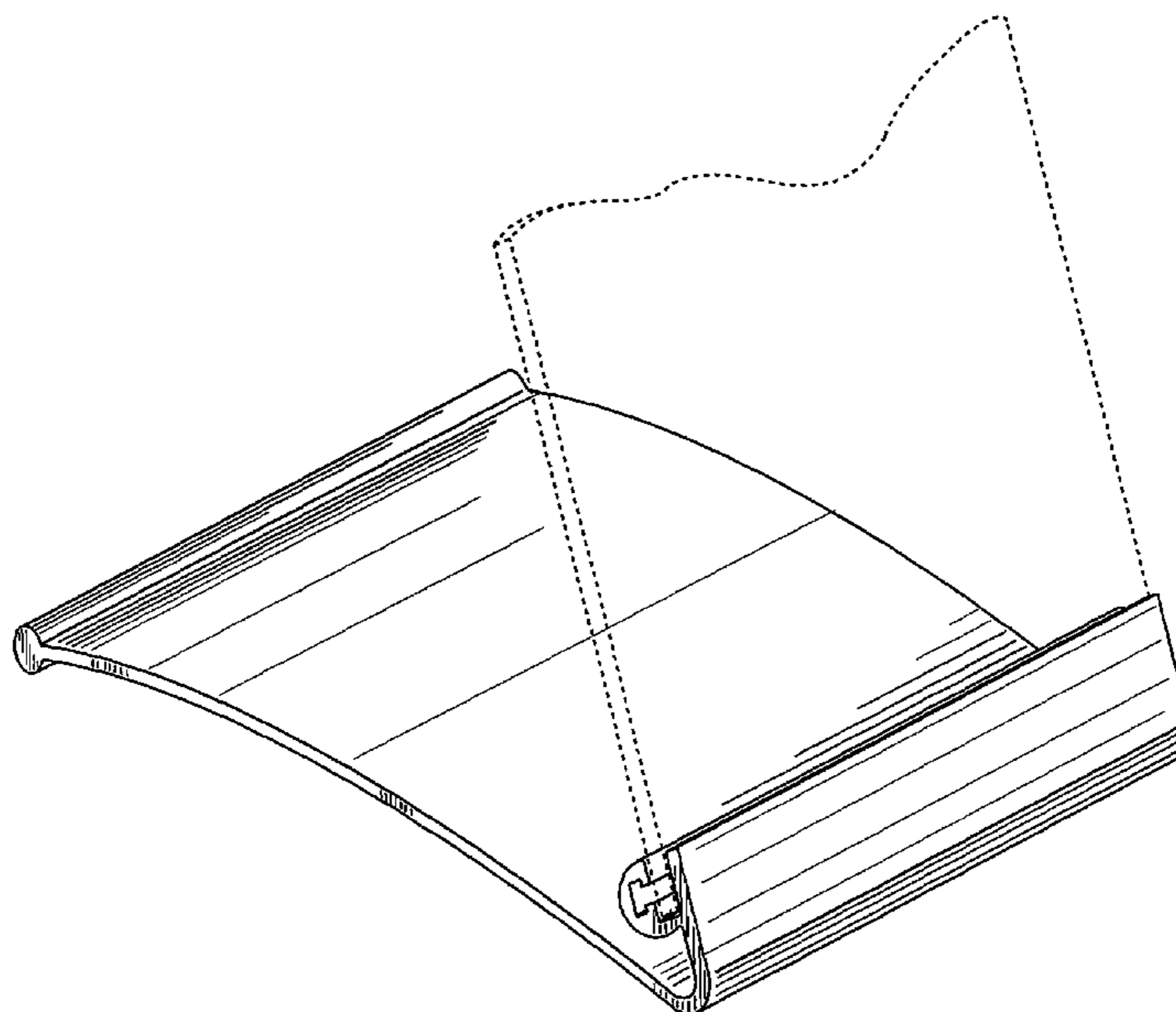


Fig. 1

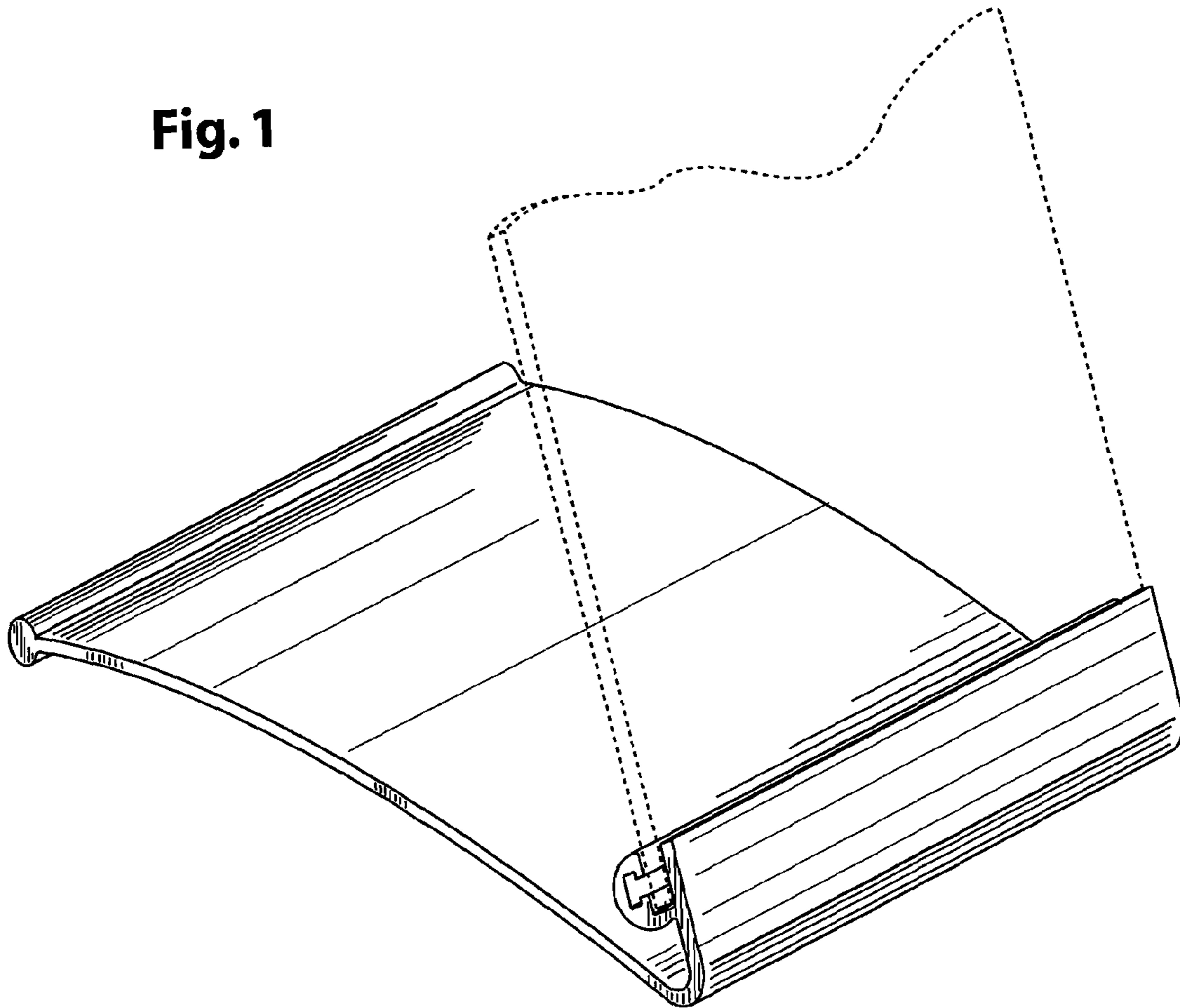


Fig. 6



Fig 2

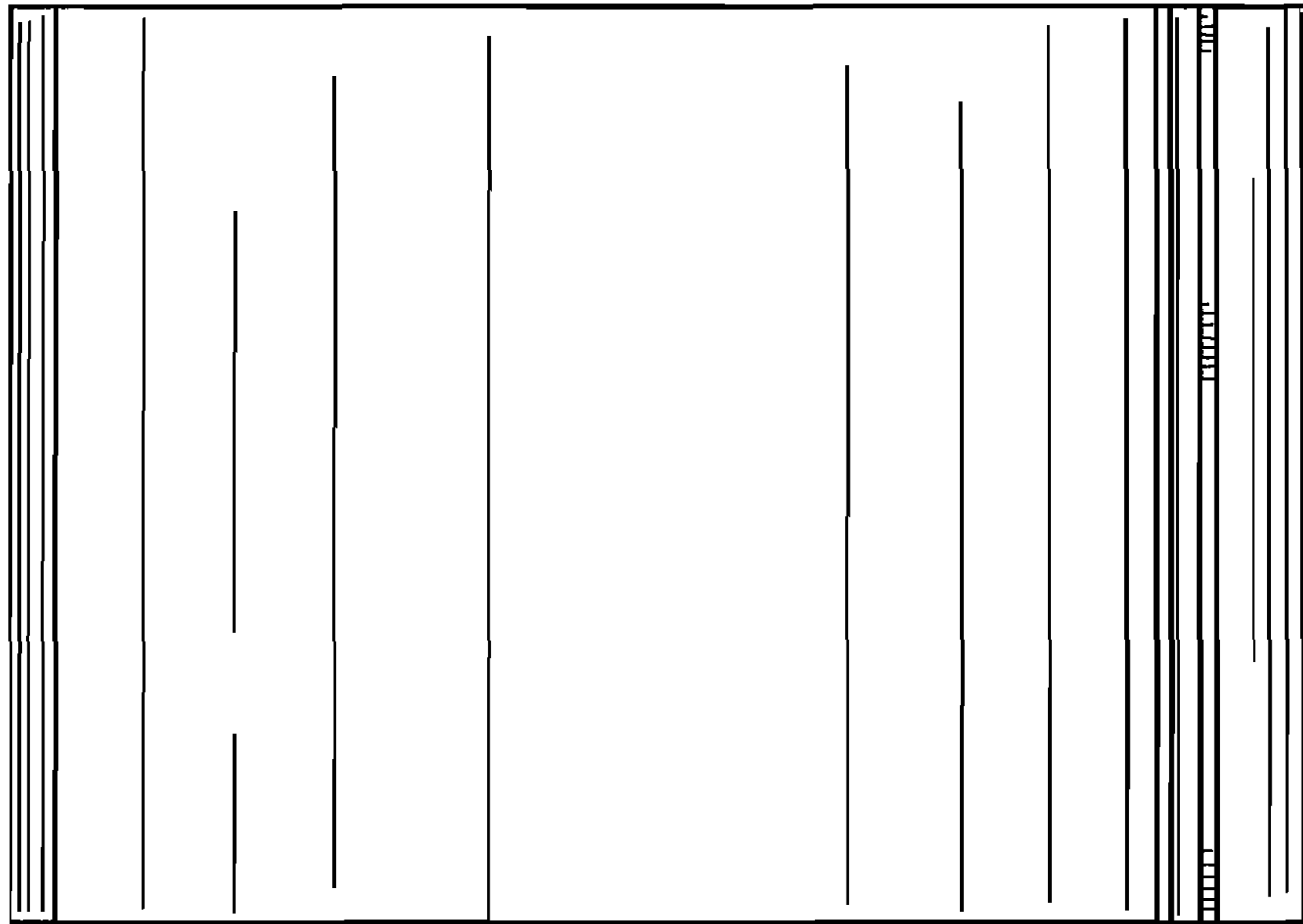


Fig 3

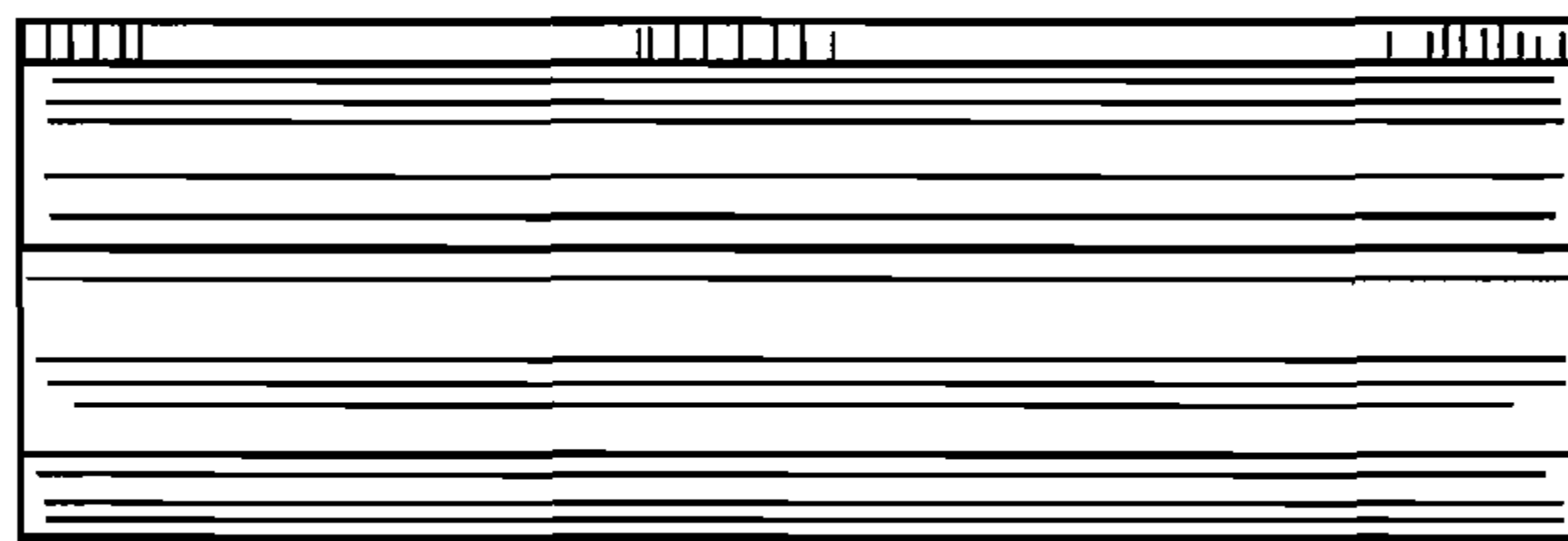


Fig 5

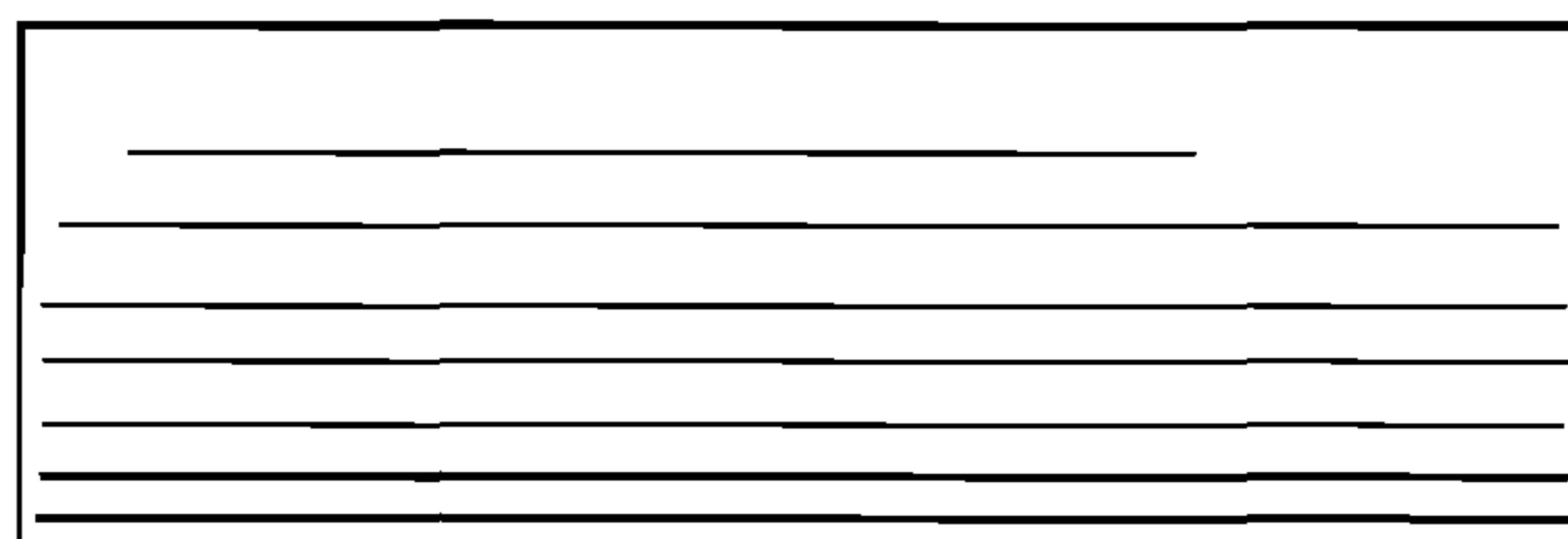


Fig 4

