



US00D580497S

(12) **United States Design Patent**
Dureiko et al.

(10) **Patent No.:** **US D580,497 S**
(45) **Date of Patent:** **** Nov. 11, 2008**

(54) **TAPE DISPENSER**

(75) Inventors: **Dan Dureiko**, Cleveland Hts., OH (US);
Michael J. Maczuzak, Bratenahl, OH
(US); **Erin Q. Riddell**, Bay Village, OH
(US)

(73) Assignee: **Henkel Corporation**, Rocky Hill, CT
(US)

(**) Term: **14 Years**

(21) Appl. No.: **29/302,027**

(22) Filed: **Jan. 9, 2008**

(51) **LOC (8) Cl.** **08-02**

(52) **U.S. Cl.** **D19/69**

(58) **Field of Classification Search** D19/36,
D19/70, 69, 68; D13/133, 146; 242/588.6,
242/588.3, 588.2; 225/77, 6, 56, 69, 26,
225/25, 19, 11; 206/411; 156/577, 527,
156/523

See application file for complete search history.

(56) **References Cited**

U.S. PATENT DOCUMENTS

- D170,429 S * 9/1953 Reinecke D19/69
- D201,766 S * 7/1965 Perkins D19/67
- D245,914 S * 9/1977 Fritzinger D19/69
- 4,400,231 A * 8/1983 Martin 156/527
- D276,354 S 11/1984 Spitzer
- D294,955 S * 3/1988 Ragnerstam D19/67
- D337,612 S 7/1993 Carella
- D361,086 S 8/1995 Thompson et al.
- 5,468,332 A 11/1995 Dretzka et al.
- 5,759,342 A * 6/1998 Luhman et al. 156/577
- 5,820,005 A 10/1998 Perkitny et al.
- 5,851,347 A 12/1998 Rodriguez
- 5,921,450 A * 7/1999 Robinson 225/56
- D421,060 S 2/2000 Kelders et al.
- D423,054 S 4/2000 Harris
- D432,575 S 10/2000 Van Den Berg
- D438,567 S 3/2001 Van Den Berg

- D448,413 S 9/2001 Carlson et al.
- D454,911 S * 3/2002 Carlson et al. D19/69
- D475,744 S * 6/2003 De Man et al. D19/69
- 6,681,830 B1 1/2004 Vulpitta et al.
- 6,684,924 B1 2/2004 Kelders et al.
- 6,719,180 B2 4/2004 Shah
- D490,469 S * 5/2004 Chandaria D19/69
- D493,488 S 7/2004 Chandaria
- D500,086 S 12/2004 Van Tyle et al.
- 6,874,554 B2 4/2005 Chandaria
- D506,224 S 6/2005 Farce
- 6,913,060 B2 7/2005 Chandaria
- 6,923,358 B2 8/2005 Chandaria
- 7,093,640 B2 8/2006 Chandaria

(Continued)

FOREIGN PATENT DOCUMENTS

EP 0 479 001 12/1994

Primary Examiner—Cathron Brooks

Assistant Examiner—Austin Murphy

(74) *Attorney, Agent, or Firm*—Fay Sharpe LLP

(57)

CLAIM

The ornamental design for a tape dispenser, as shown and described.

DESCRIPTION

FIG. 1 is a top left perspective view of the tape dispenser according to the new design;

FIG. 2 is a left elevation view thereof;

FIG. 3 is a right elevation view thereof;

FIG. 4 is a front elevation view thereof;

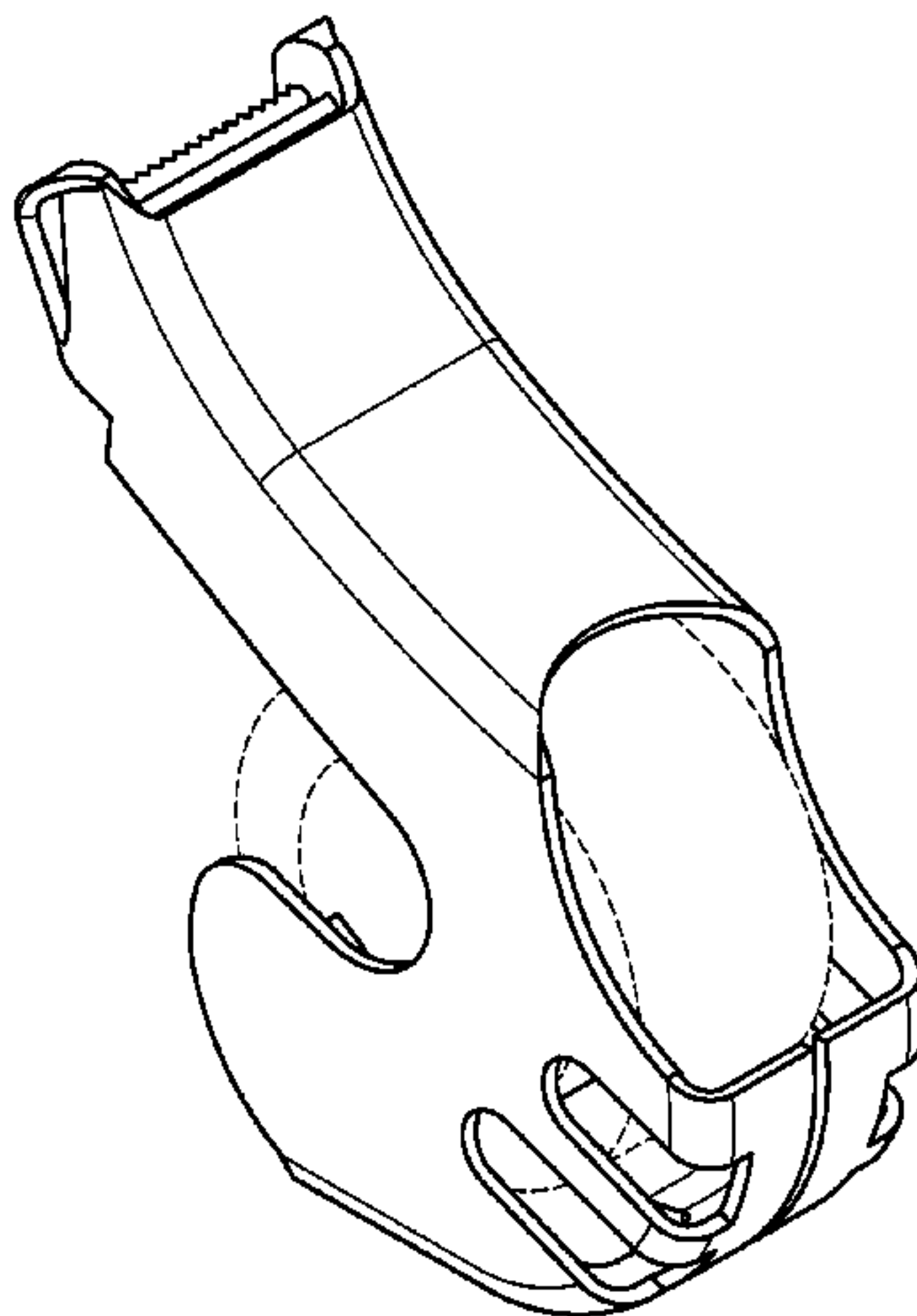
FIG. 5 is a rear elevation view thereof;

FIG. 6 is a top plan view thereof; and,

FIG. 7 is a bottom plan view thereof.

The broken lines shown in drawings form no part of the claimed design.

1 Claim, 4 Drawing Sheets



US D580,497 S

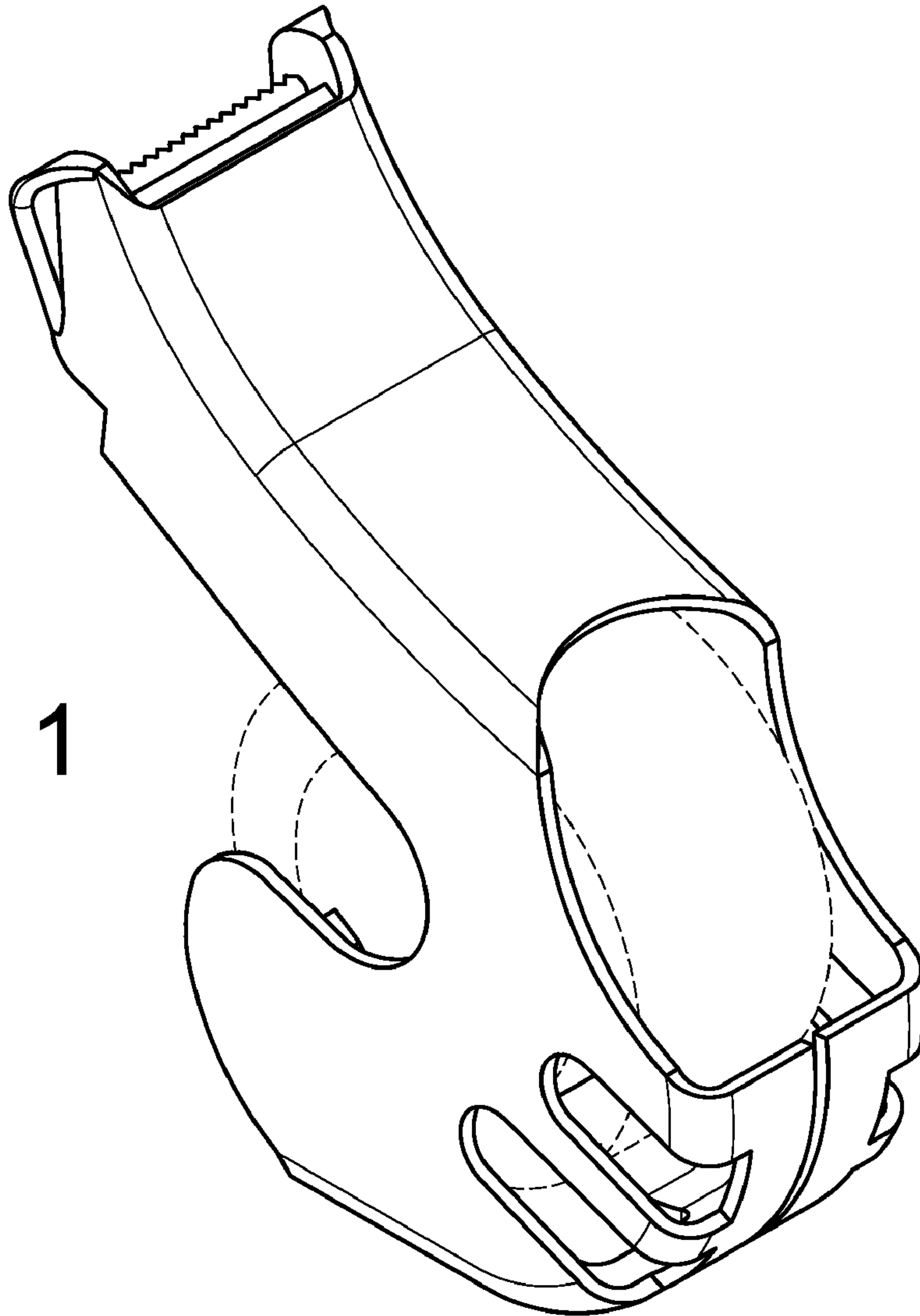
Page 2

U.S. PATENT DOCUMENTS

7,121,499	B2	10/2006	Lammers et al.				
D533,905	S *	12/2006	Gullicks et al.	D19/69			
7,152,650	B2 *	12/2006	Van Tyle et al.	156/527			
D539,352	S *	3/2007	Farce et al.	D19/69			
7,191,815	B2	3/2007	Van Tyle et al.				
D549,287	S *	8/2007	Pitzen et al.	D19/69			
D553,685	S *	10/2007	Thorsteinsson et al.	D19/69			
					7,370,782	B2 *	5/2008 Thompson et al. 225/6
					D570,227	S *	6/2008 Goodman et al. D9/730
					2004/0011473	A1 *	1/2004 Tyle et al. 156/527
					2004/0040670	A1 *	3/2004 Chandaria 156/577
					2004/0154750	A1 *	8/2004 Chandaria 156/510
					2004/0202841	A1	10/2004 Jour
					2007/0062998	A1	3/2007 Kanbar

* cited by examiner

FIG. 1



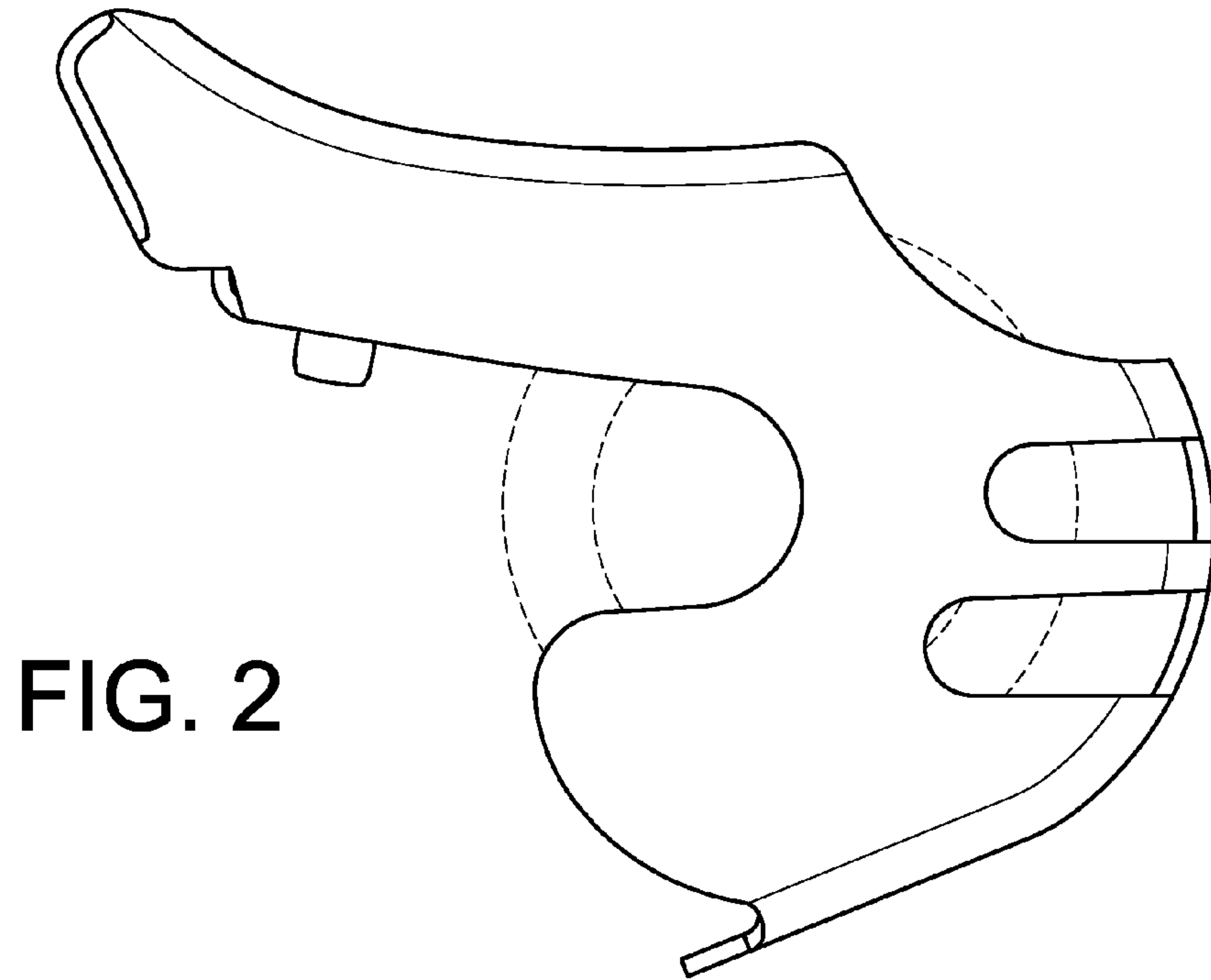


FIG. 2

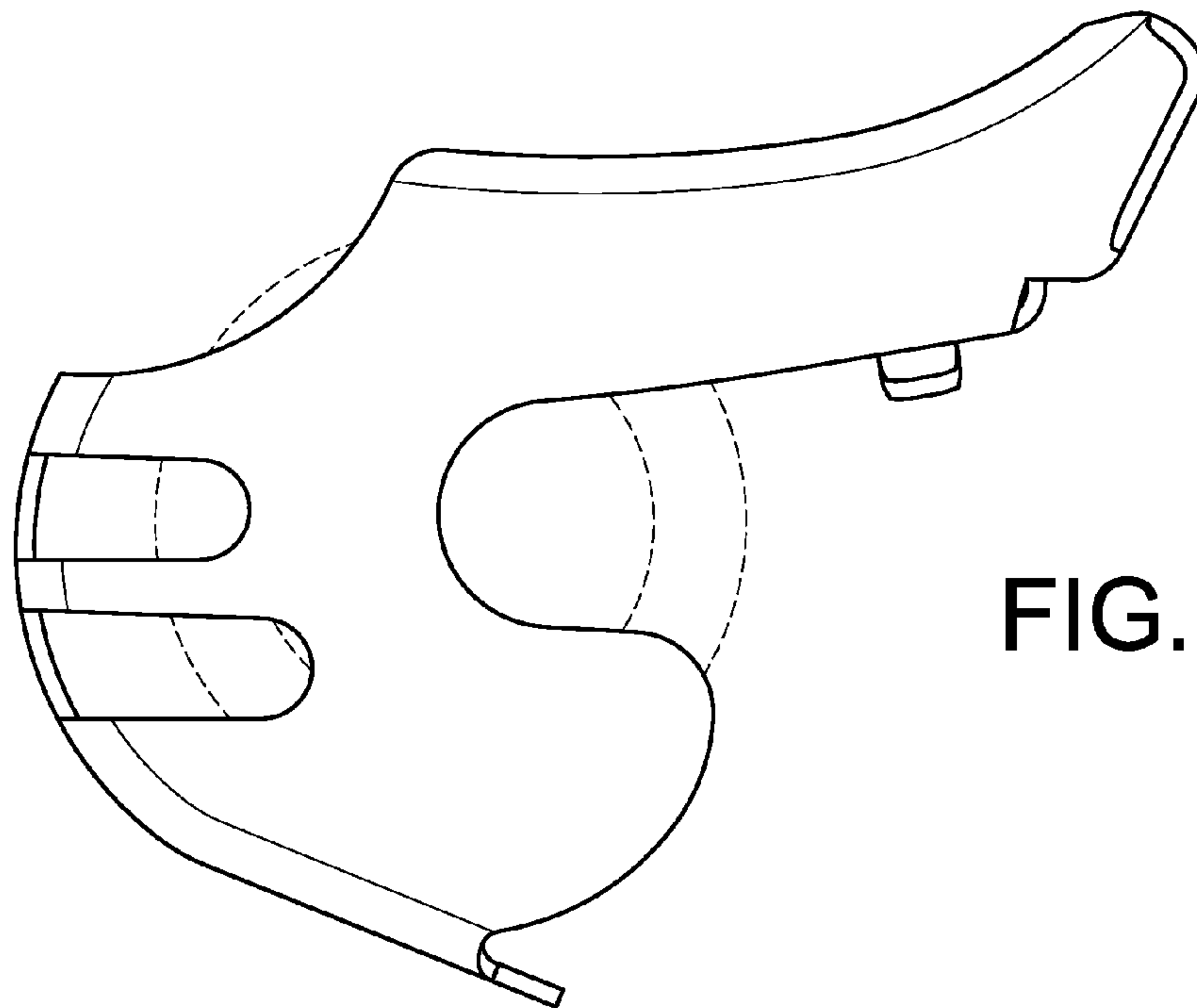


FIG. 3

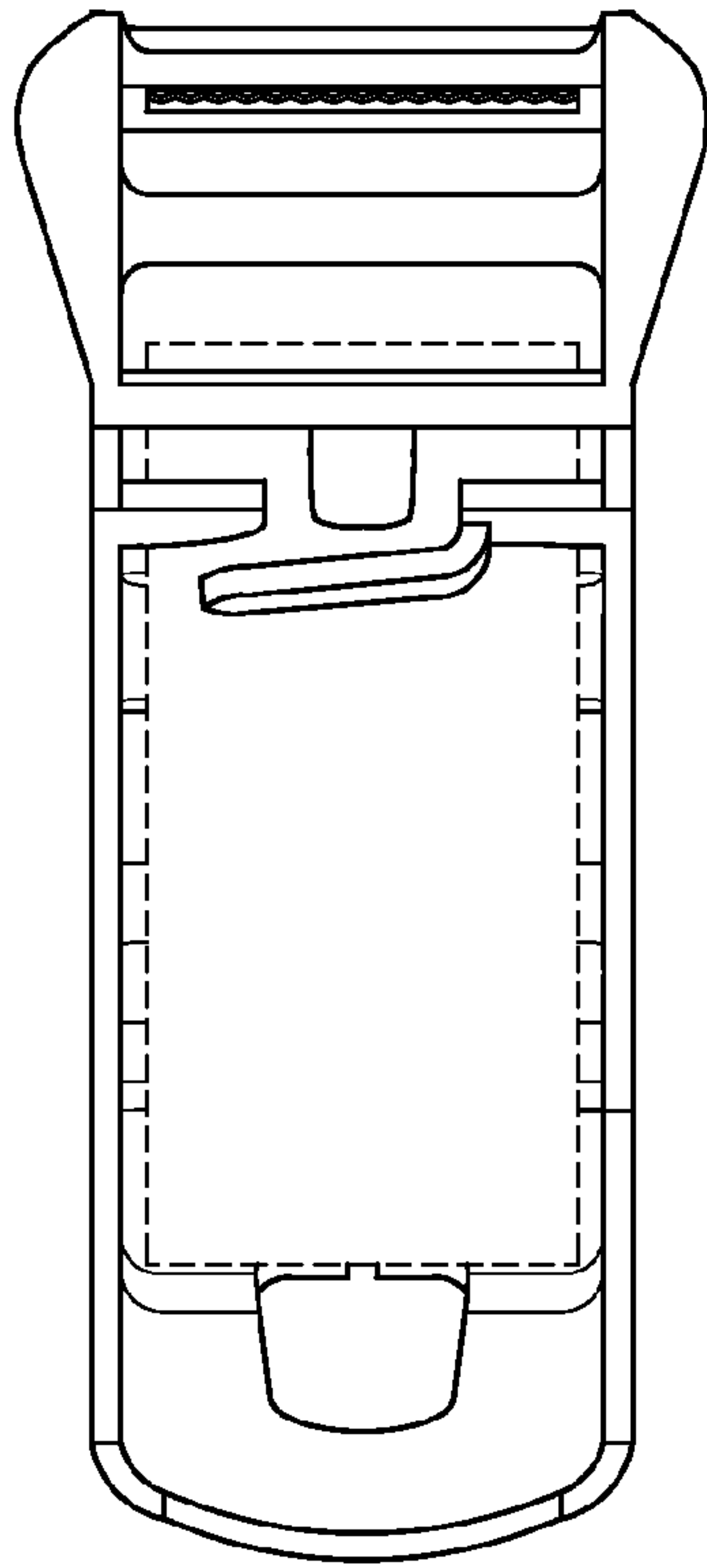


FIG. 4

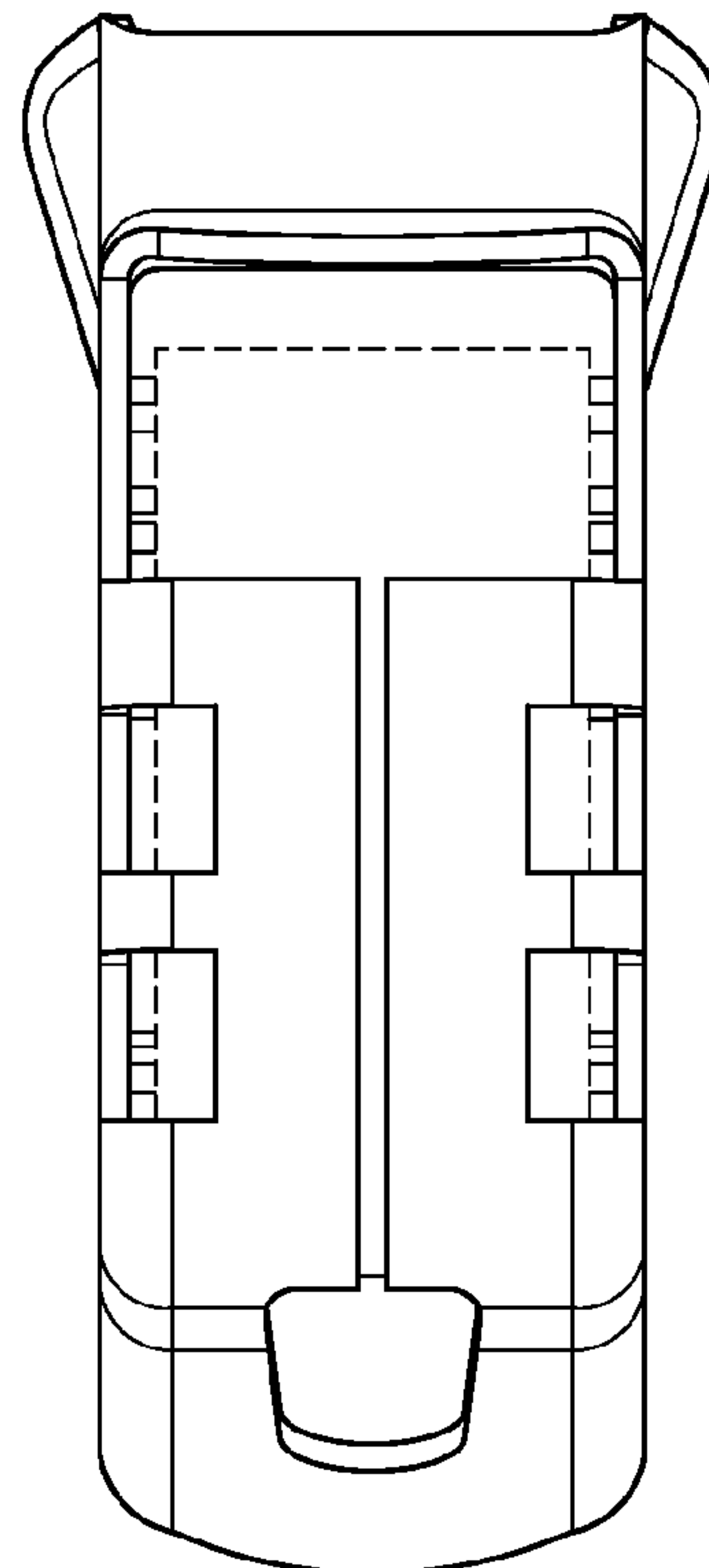


FIG. 5

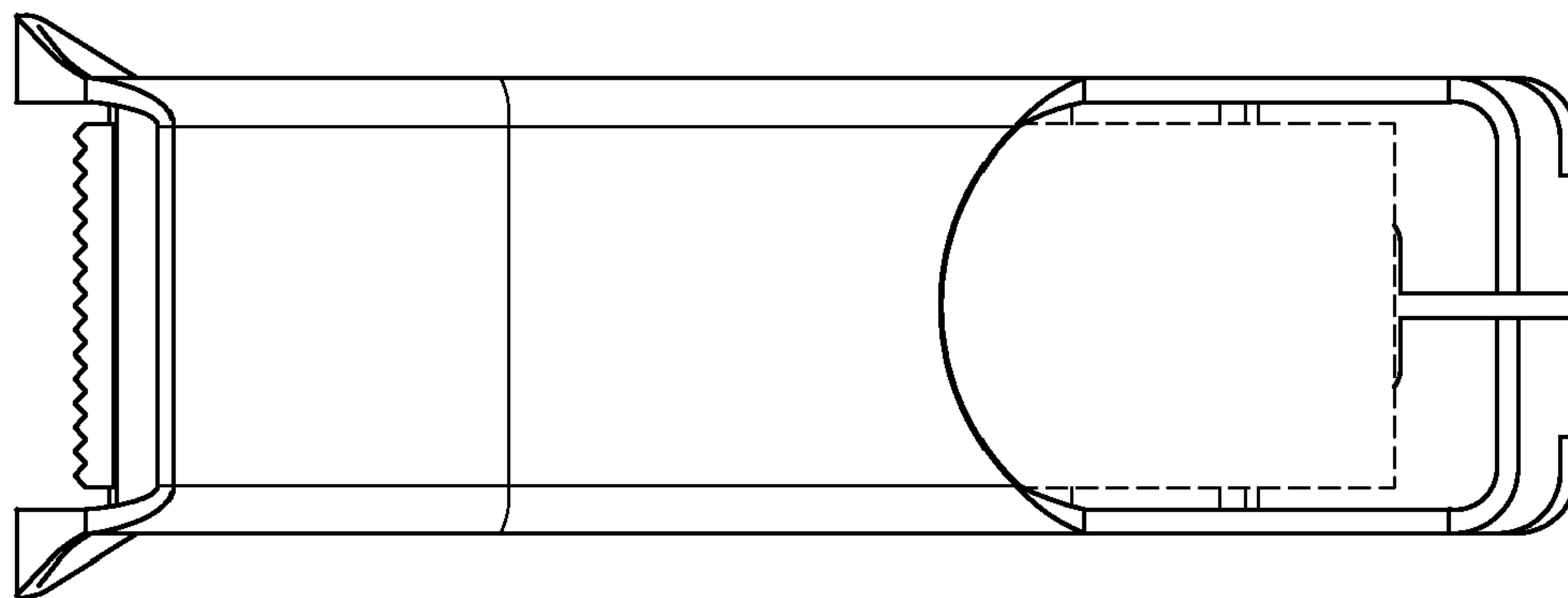


FIG. 6

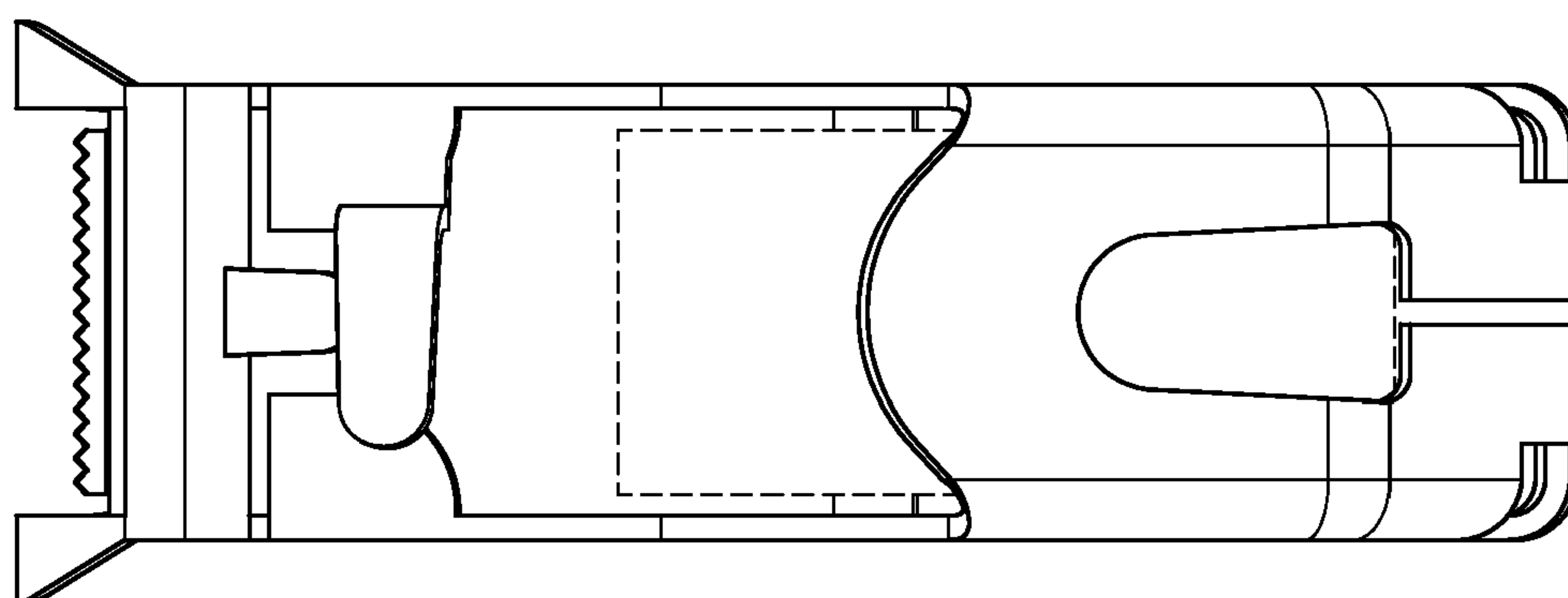


FIG. 7