



US00D580494S

(12) **United States Design Patent**
Delancourt

(10) **Patent No.:** **US D580,494 S**

(45) **Date of Patent:** **** Nov. 11, 2008**

(54) **WRITING INSTRUMENT**

(75) Inventor: **Jean-Patrick Delancourt**, Saint-Etienne de Montluc (FR)

(73) Assignee: **Parker Pen Products**, Newhaven, East Sussex (GB)

(**) Term: **14 Years**

(21) Appl. No.: **29/284,796**

(22) Filed: **Sep. 14, 2007**

(30) **Foreign Application Priority Data**

Apr. 17, 2007 (EM) 000708235

(51) **LOC (8) Cl.** **19-06**

(52) **U.S. Cl.** **D19/49**

(58) **Field of Classification Search** D19/35,
D19/36, 41-51, 53-57; 24/11 F, 11 P, 11 R;
401/52, 99, 100, 104-109, 192, 195, 196
See application file for complete search history.

(56) **References Cited**

U.S. PATENT DOCUMENTS

D108,899	S	*	3/1938	Tammen	D19/49
D146,335	S	*	2/1947	Colomy	D19/48
D181,244	S	*	10/1957	Zierhut	D19/51
D182,216	S	*	2/1958	Zierhut	D19/57
3,140,694	A	*	7/1964	Reed	401/53
D242,245	S	*	11/1976	Butler et al.	D19/49
D256,593	S	*	8/1980	Massoni et al.	D19/49
D272,832	S	*	2/1984	Malamoud	D19/51
D273,396	S	*	4/1984	Hechter	D19/49
D342,546	S	*	12/1993	Song	D19/50
D354,985	S	*	1/1995	Hong	D19/50
D359,983	S	*	7/1995	Rosenbaum	D19/49
D416,580	S	*	11/1999	Andrews et al.	D19/56
D417,700	S	*	12/1999	Worther	D19/49
D439,611	S	*	3/2001	Fukami et al.	D19/36
D457,185	S	*	5/2002	Ham	D19/36
D478,626	S	*	8/2003	Stropkay et al.	D19/51
D479,747	S	*	9/2003	Bainton	D24/114

(Continued)

Primary Examiner—Elizabeth A Albert

(74) *Attorney, Agent, or Firm*—Marshall Gerstein & Borun LLP

(57) **CLAIM**

The ornamental design for a writing instrument, as shown and described.

DESCRIPTION

FIG. 1 is a perspective view showing my new design for a writing instrument;

FIG. 2 is a rear view of the writing instrument of FIG. 1;

FIG. 3 is a side view of the writing instrument of FIG. 1, the opposite side view being a mirror image thereof;

FIG. 4 is a front view of the writing instrument of FIG. 1;

FIG. 5 is a top plan view of the writing instrument of FIG. 1;

FIG. 6 is a bottom plan view of the writing instrument of FIG. 1;

FIG. 7 is a perspective view showing a second embodiment of the writing instrument of FIG. 1;

FIG. 8 is a rear view of the writing instrument of FIG. 7;

FIG. 9 is a side view of the writing instrument of FIG. 7, the opposite side view being a mirror image thereof;

FIG. 10 is a front view of the writing instrument of FIG. 7;

FIG. 11 is a top plan view of the writing instrument of FIG. 7;

FIG. 12 is a bottom plan view of the writing instrument of FIG. 7;

FIG. 13 is a perspective view showing a third embodiment of the writing instrument of FIG. 1;

FIG. 14 is a rear view of the writing instrument of FIG. 13;

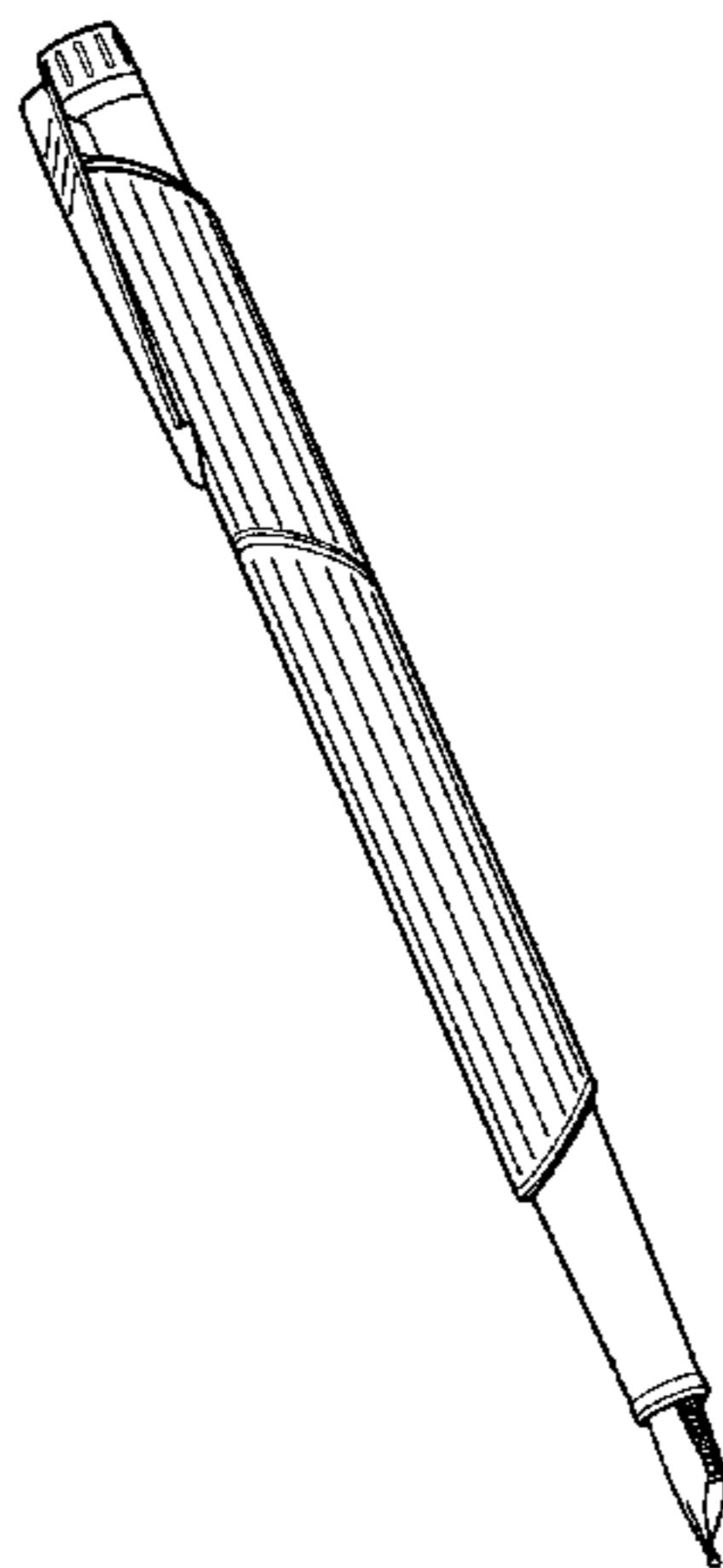
FIG. 15 is a side view of the writing instrument of FIG. 13, the opposite side view being a mirror image thereof;

FIG. 16 is a front view of the writing instrument of FIG. 13;

FIG. 17 is a top plan view of the writing instrument of FIG. 13; and,

FIG. 18 is a bottom plan view of the writing instrument of FIG. 13.

1 Claim, 6 Drawing Sheets



US D580,494 S

Page 2

U.S. PATENT DOCUMENTS							
				7,059,796	B2 *	6/2006	Lewis et al. 401/107
D493,835	S *	8/2004	Andrews et al. D19/56	D525,303	S *	7/2006	Andrews et al. D19/51
D502,737	S *	3/2005	Bodino D19/43	D535,693	S *	1/2007	Gahlow et al. D19/50
D507,303	S *	7/2005	Andrews et al. D19/56				

* cited by examiner

FIG. 1

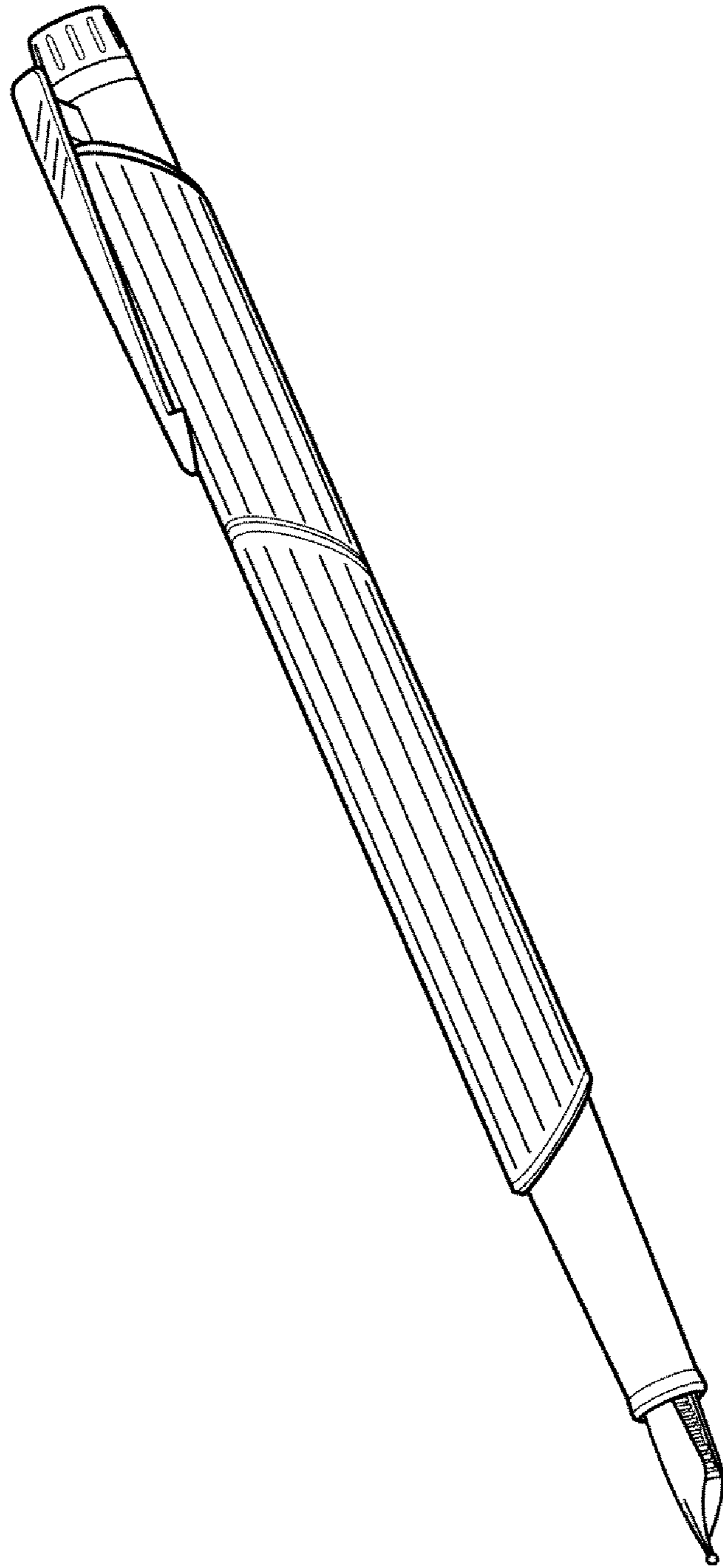


FIG. 2

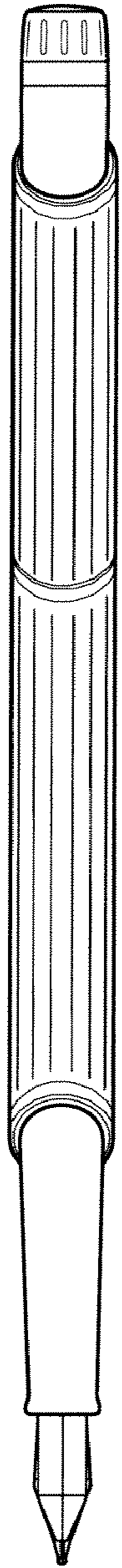


FIG. 3

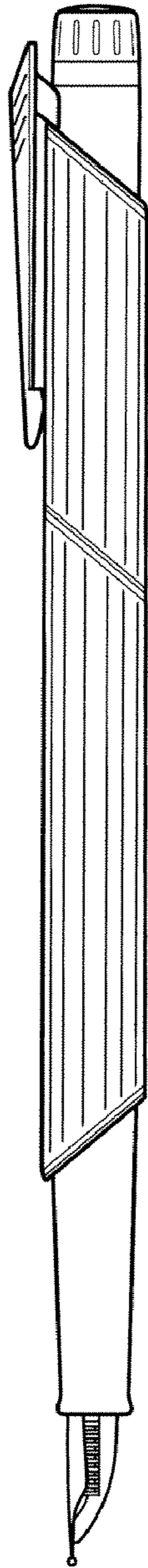


FIG. 4

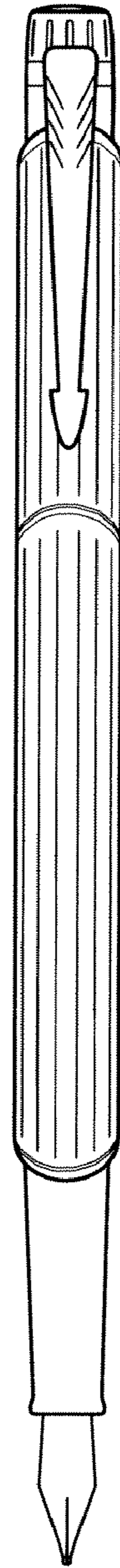


FIG. 5

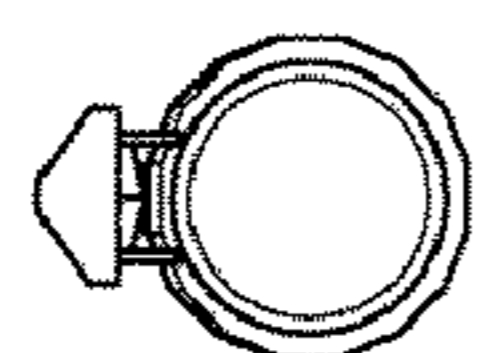


FIG. 6

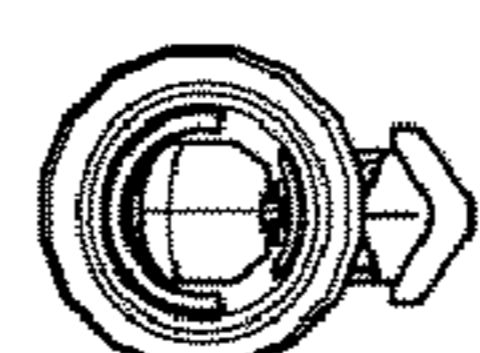


FIG. 7

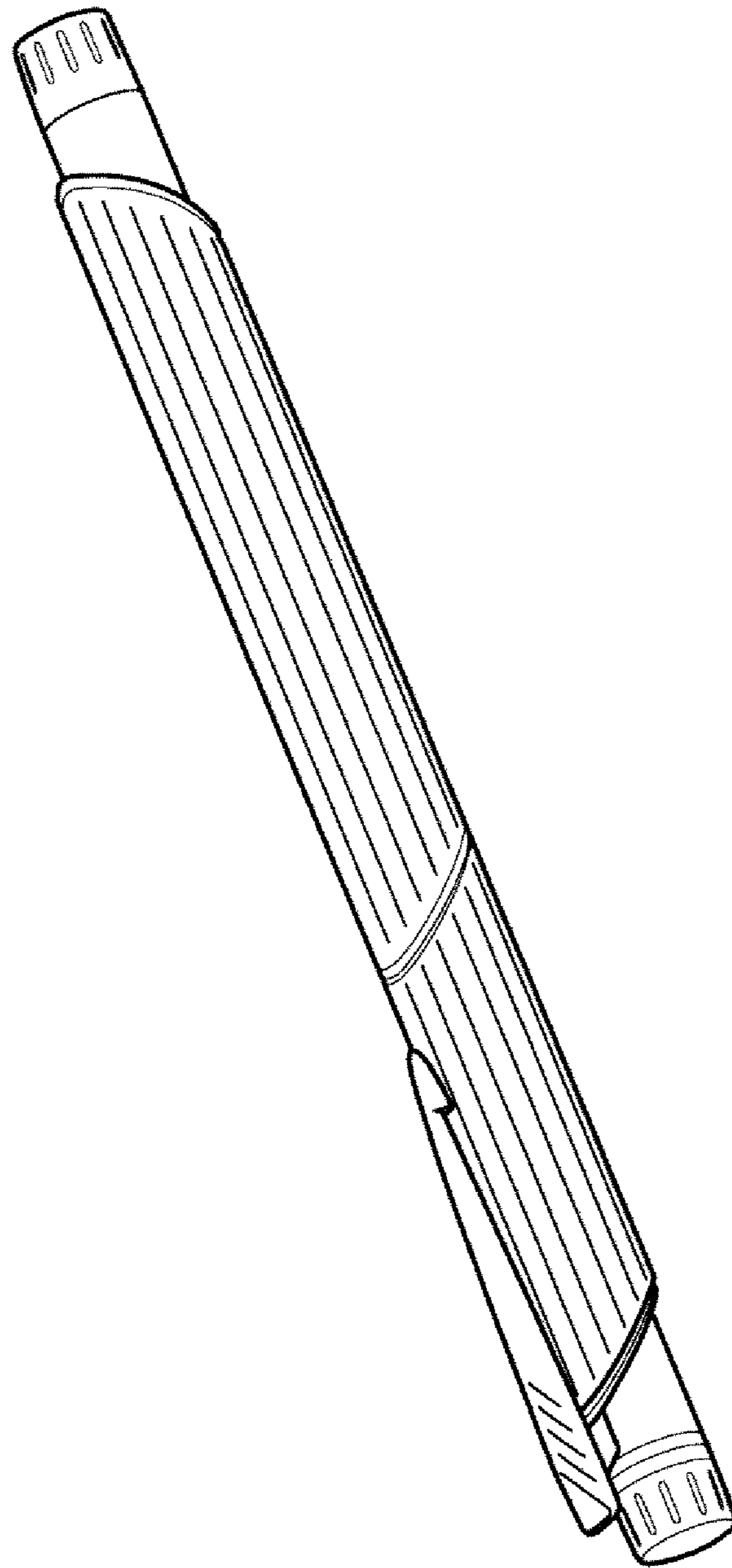


FIG. 8

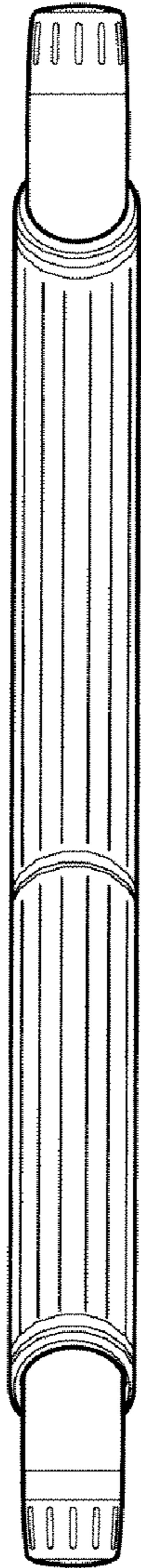


FIG. 9

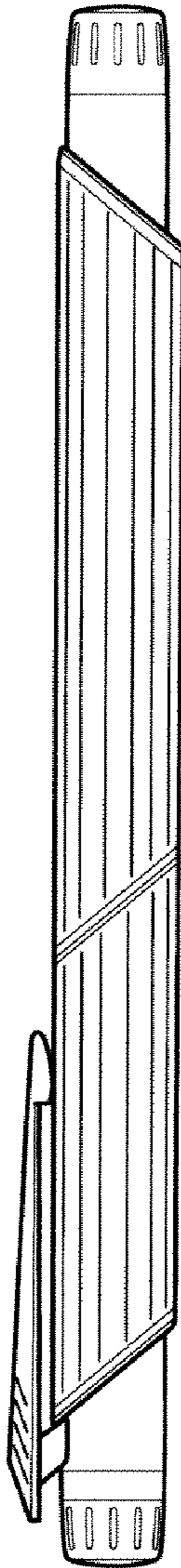


FIG. 10



FIG. 11

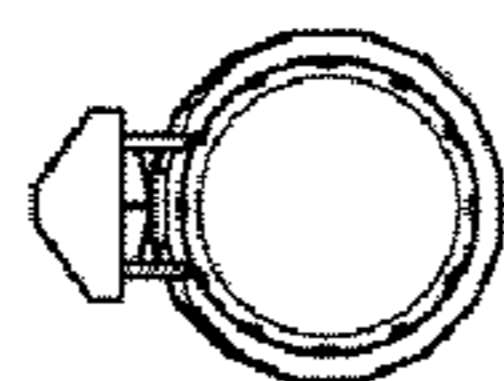


FIG. 12

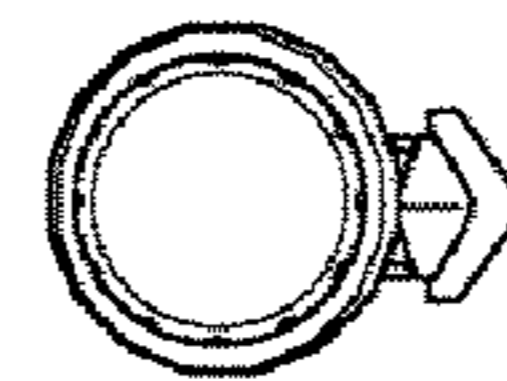


FIG. 13

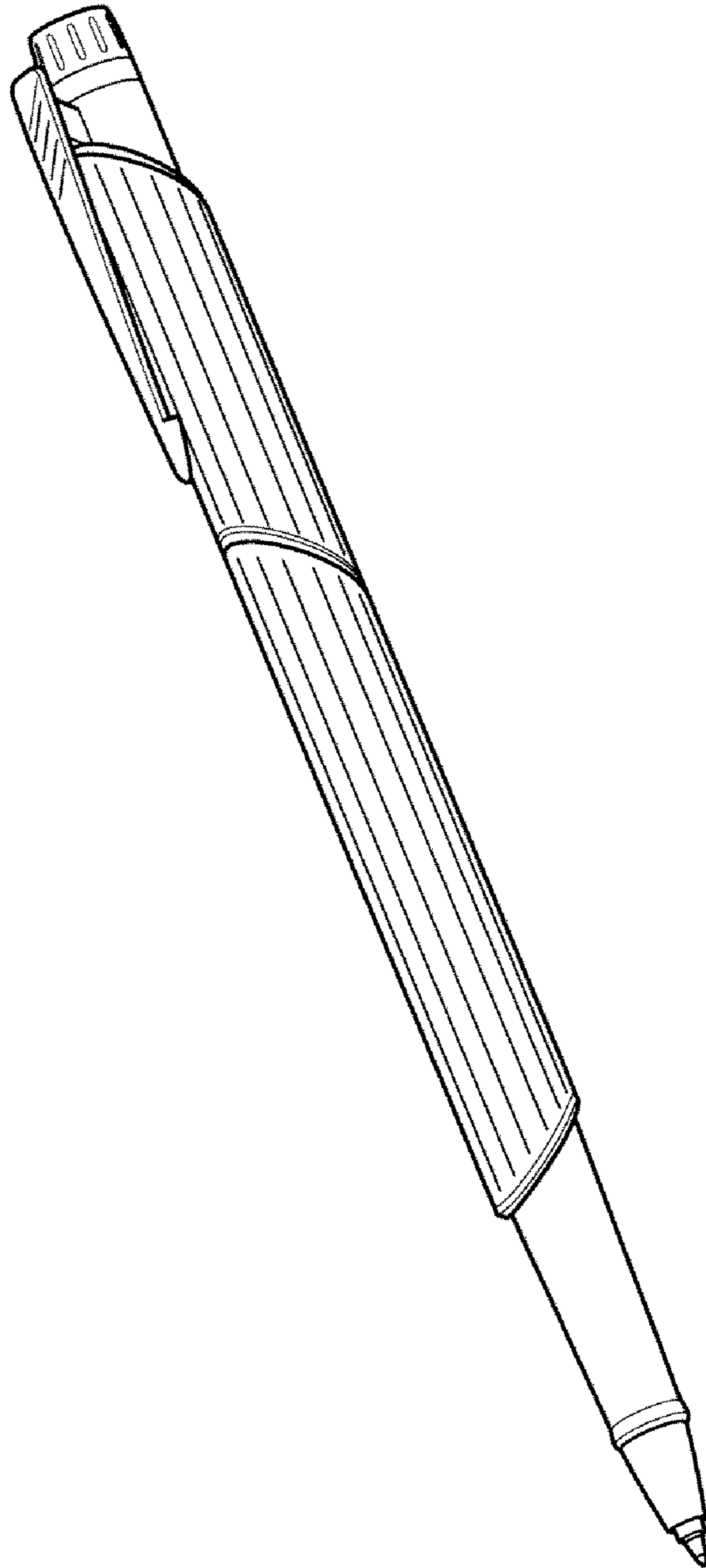


FIG. 14



FIG. 15

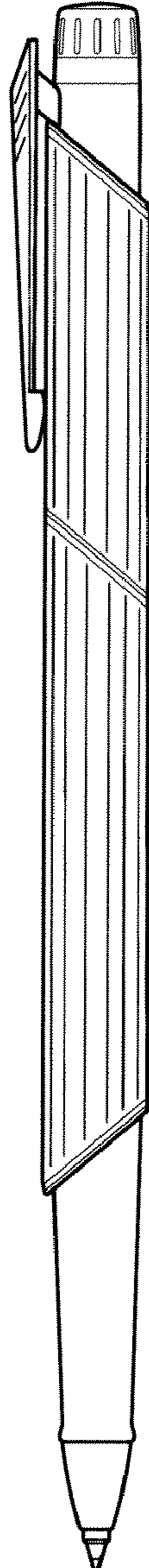


FIG. 16

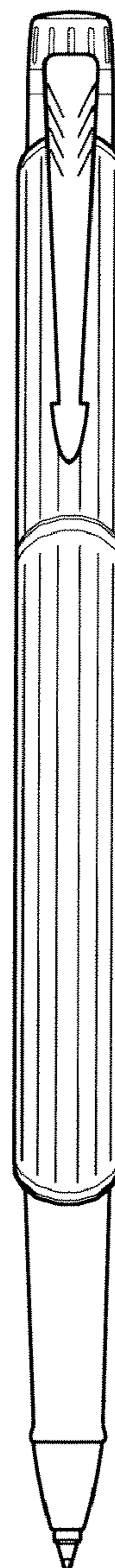


FIG. 17

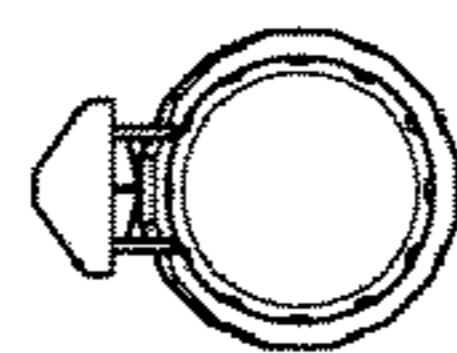


FIG. 18

