



US00D580487S

(12) **United States Design Patent**
Cooper

(10) **Patent No.:** **US D580,487 S**

(45) **Date of Patent:** **** Nov. 11, 2008**

(54) **INK STAMP**

(75) Inventor: **Jeff Cooper**, Riverton, WY (US)

(73) Assignee: **Pertech Resources, Inc.**, Riverton, WY (US)

(**) Term: **14 Years**

(21) Appl. No.: **29/289,466**

(22) Filed: **Jul. 23, 2007**

(51) **LOC (8) Cl.** **18-02**

(52) **U.S. Cl.** **D18/56**

(58) **Field of Classification Search** D18/14-21;
101/334, 327-328, 405, 352.07, DIG. 30;
118/264, 268; D5/4-6, 20-25, 62; D8/45
See application file for complete search history.

(56) **References Cited**

U.S. PATENT DOCUMENTS

D145,514 S *	9/1946	Duke	D18/15
2,972,938 A *	2/1961	Sausele	396/556
D209,874 S *	1/1968	Anderson	D18/15
D233,174 S *	10/1974	Funahashi	D18/15
D239,057 S *	3/1976	Utzinger	D18/18
D241,979 S *	10/1976	Funahashi	D18/15
4,064,802 A *	12/1977	Funahashi	101/327
D247,063 S	1/1978	Funahashi		
D251,033 S	2/1979	Gulinson et al.		
D261,151 S *	10/1981	Barbour	D18/14
D273,868 S	5/1984	Dorman et al.		

D283,033 S	3/1986	Berg		
D290,469 S	6/1987	Boehringer		
D308,072 S	5/1990	Salmonson		
4,986,175 A	1/1991	Boehringer et al.		
D353,392 S	12/1994	Winston		
D364,183 S	11/1995	Winston		
D375,117 S	10/1996	Keohan		
D389,174 S	1/1998	Yasoshima		
D399,245 S *	10/1998	Harden	D18/15
D446,805 S	8/2001	Suto		
D447,166 S	8/2001	Yasoshima		
D459,386 S	6/2002	Pichler		
D477,628 S *	7/2003	Zambelli et al.	D18/15
D478,930 S *	8/2003	Zambelli et al.	D18/15
D506,775 S	6/2005	Kida et al.		

* cited by examiner

Primary Examiner—Charles A Rademaker

(57) **CLAIM**

The ornamental design for a ink stamp, as shown, and, described.

DESCRIPTION

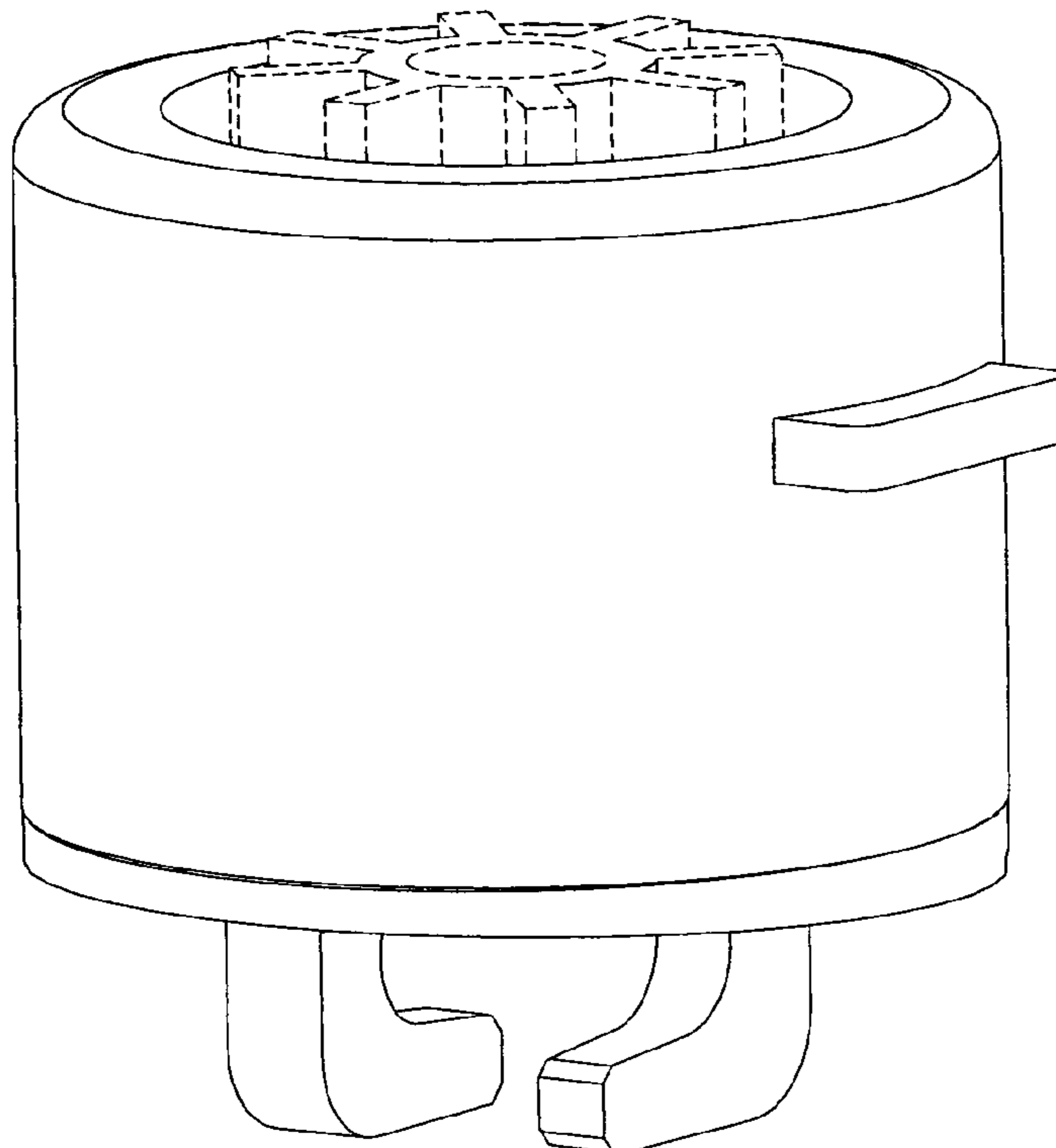
FIG. 1 is a top, front perspective view of a ink stamp, showing my new design.

FIG. 2, is a top plan view thereof, and;

FIG. 3 is a bottom plan view thereof.

The broken lines shown in the drawings represent environmental structure and form no part of the claimed design.

1 Claim, 3 Drawing Sheets



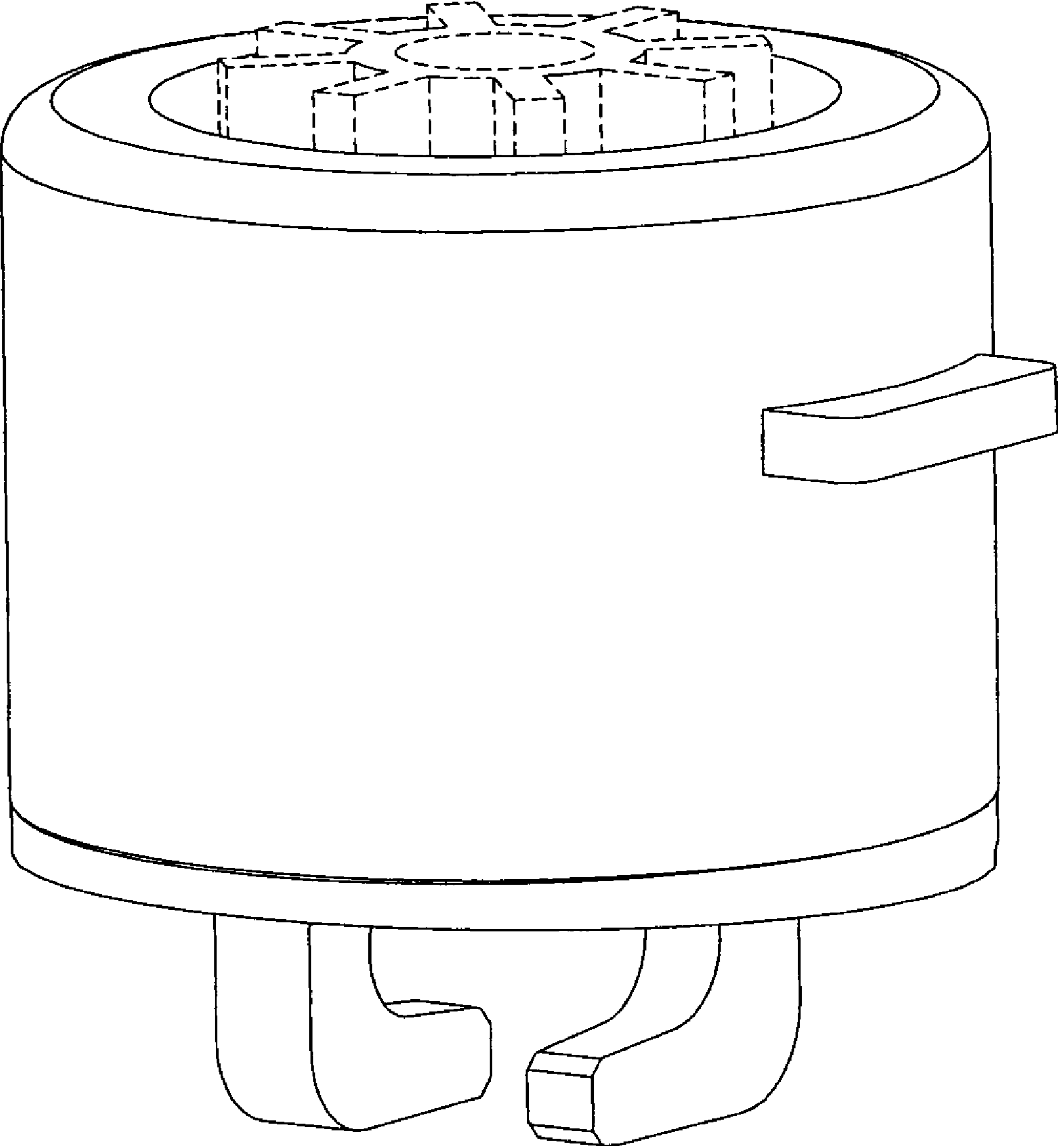


FIG 1

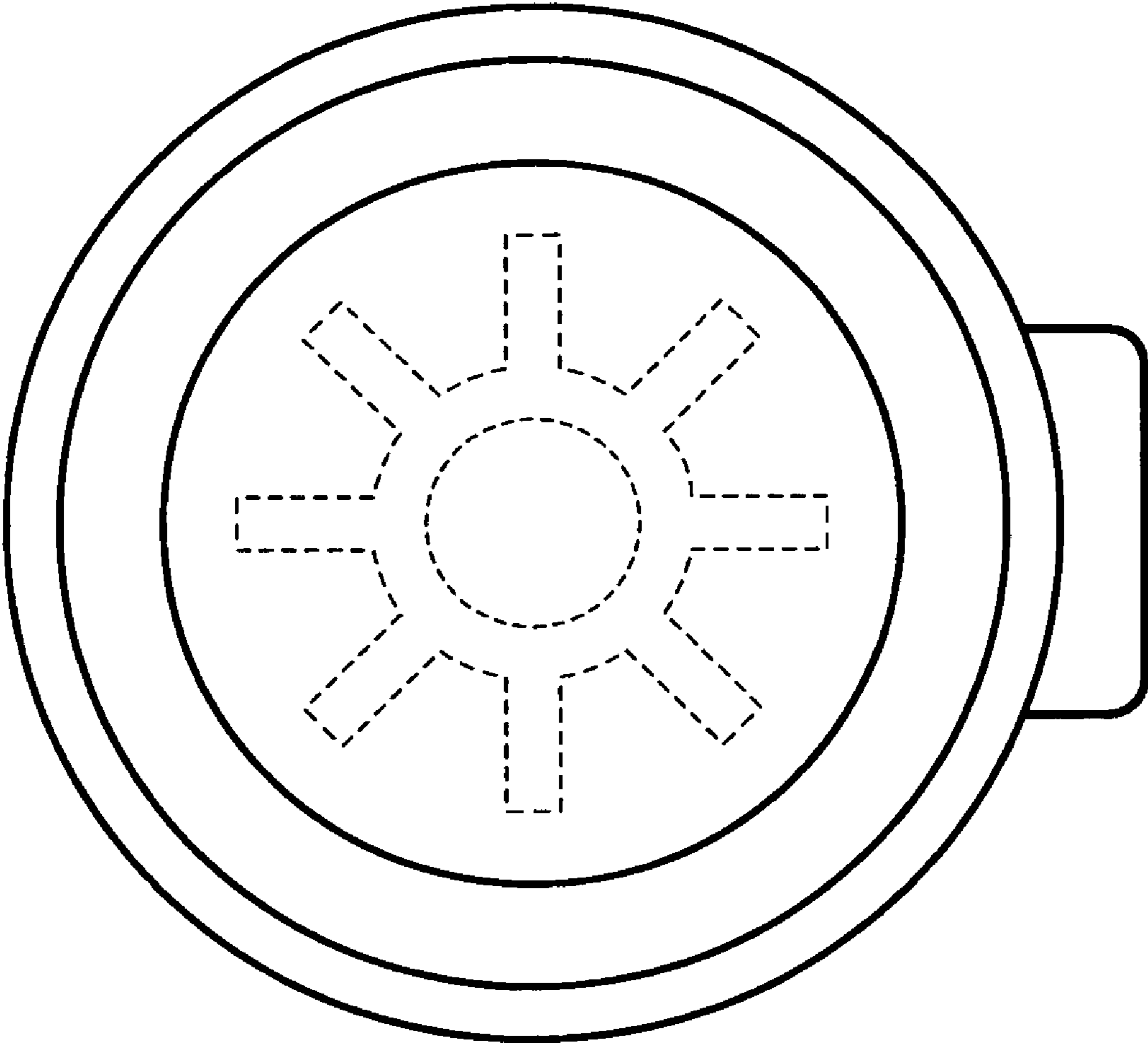


FIG 2

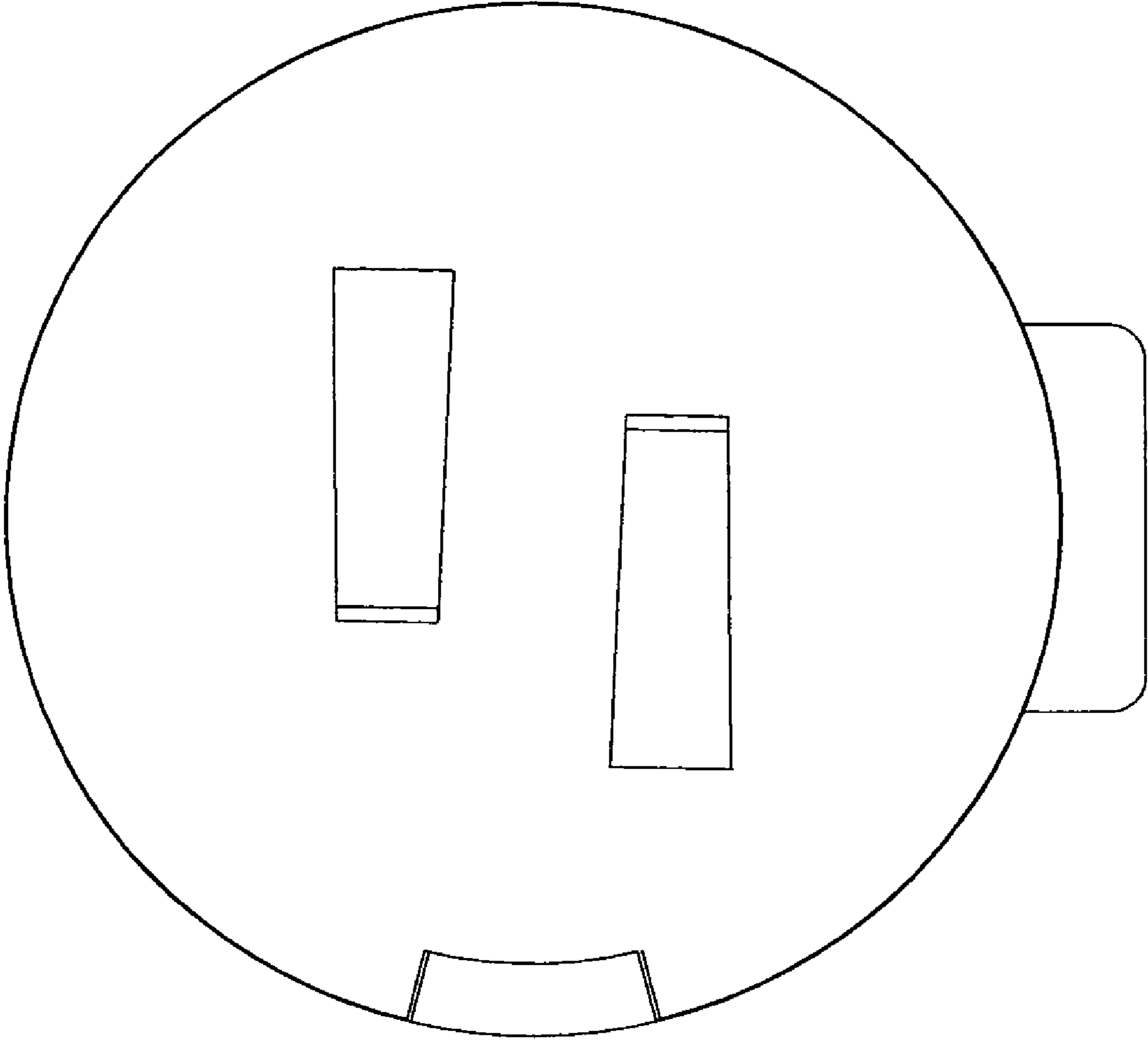


FIG 3