



US00D580486S

(12) **United States Design Patent**
Kanno et al.

(10) **Patent No.:** **US D580,486 S**

(45) **Date of Patent:** **** Nov. 11, 2008**

(54) **PRINTER**

(75) Inventors: **Ryuta Kanno**, Tokyo (JP); **Hirohisa Tanaka**, Tokyo (JP)

(73) Assignee: **Sony Corporation**, Tokyo (JP)

(**) Term: **14 Years**

(21) Appl. No.: **29/274,766**

(22) Filed: **May 22, 2007**

(51) **LOC (8) Cl.** **18-02**

(52) **U.S. Cl.** **D18/50**

(58) **Field of Classification Search** D18/36-39,
D18/50, 54, 54.1, 55; D14/420-425, 462-470;
400/613, 613.1-613.4, 690.1-690.4, 691-694
See application file for complete search history.

(56) **References Cited**

U.S. PATENT DOCUMENTS

| | | | | |
|----------------|---------|---------------|-------|---------|
| D405,107 S * | 2/1999 | Yokokawa | | D18/50 |
| 6,250,827 B1 * | 6/2001 | Nojima et al. | | 400/691 |
| D466,551 S * | 12/2002 | Nagai | | D18/50 |
| D503,937 S * | 4/2005 | Tani | | D14/462 |
| D532,448 S * | 11/2006 | Lim et al. | | D18/50 |
| D532,817 S | 11/2006 | Ishii | | |

| | | | | |
|--------------|---------|--------------|-------|--------|
| D533,585 S * | 12/2006 | Park et al. | | D18/50 |
| D540,852 S * | 4/2007 | Huang et al. | | D18/50 |
| D541,332 S * | 4/2007 | Tsuchiya | | D18/50 |
| D558,820 S * | 1/2008 | Hong et al. | | D18/50 |

* cited by examiner

Primary Examiner—Cathy Anne MacCormac

(74) *Attorney, Agent, or Firm*—Rader, Fishman & Grauer, PLLC

(57) **CLAIM**

The ornamental design for a printer, as shown.

DESCRIPTION

FIG. 1 is a perspective view of a printer showing our new design;

FIG. 2 is a front elevational view thereof;

FIG. 3 is a rear elevational view thereof;

FIG. 4 is a left side elevational view thereof;

FIG. 5 is a right side elevational view thereof;

FIG. 6 is a top plan view thereof; and,

FIG. 7 is a bottom plan view thereof.

1 Claim, 7 Drawing Sheets

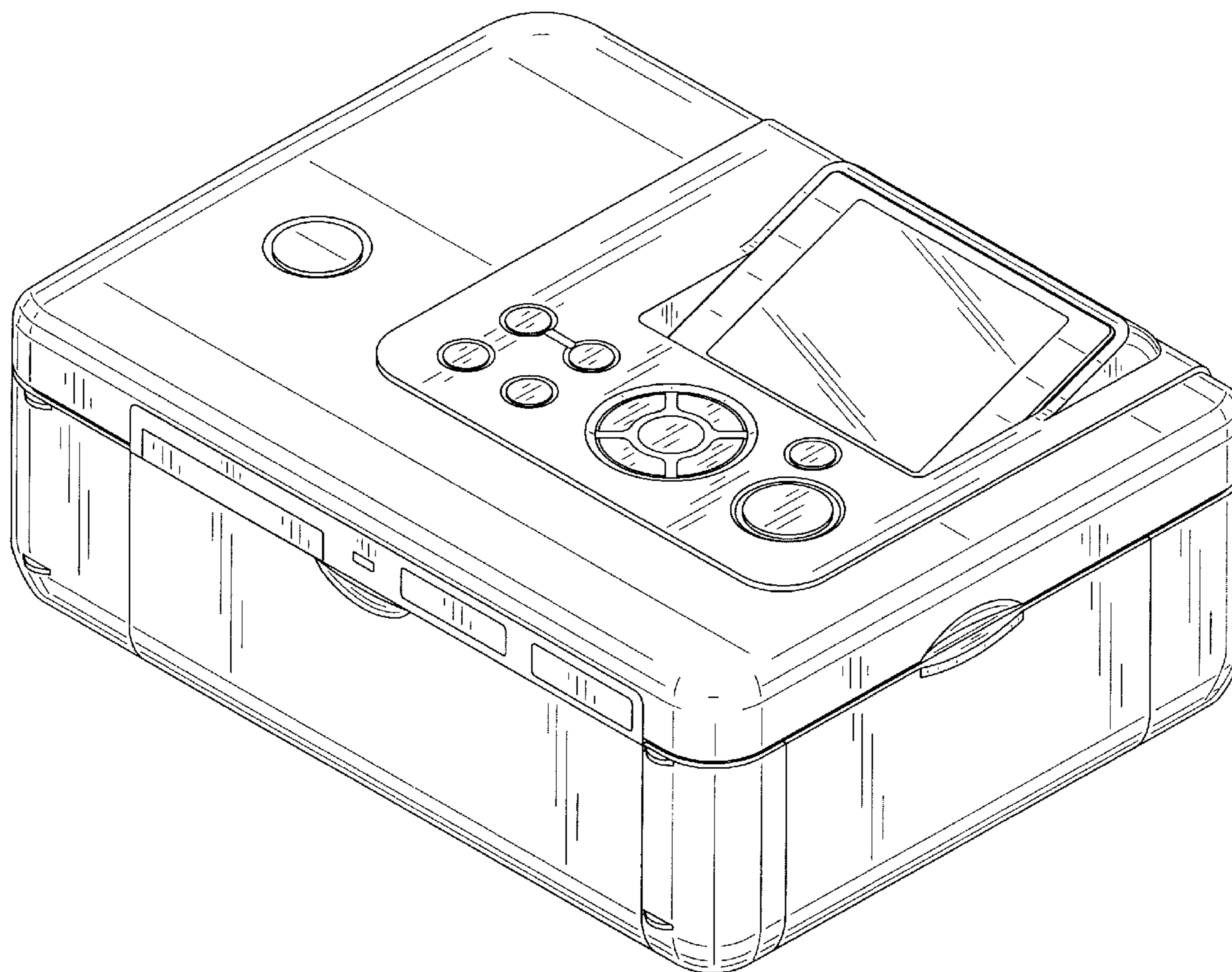
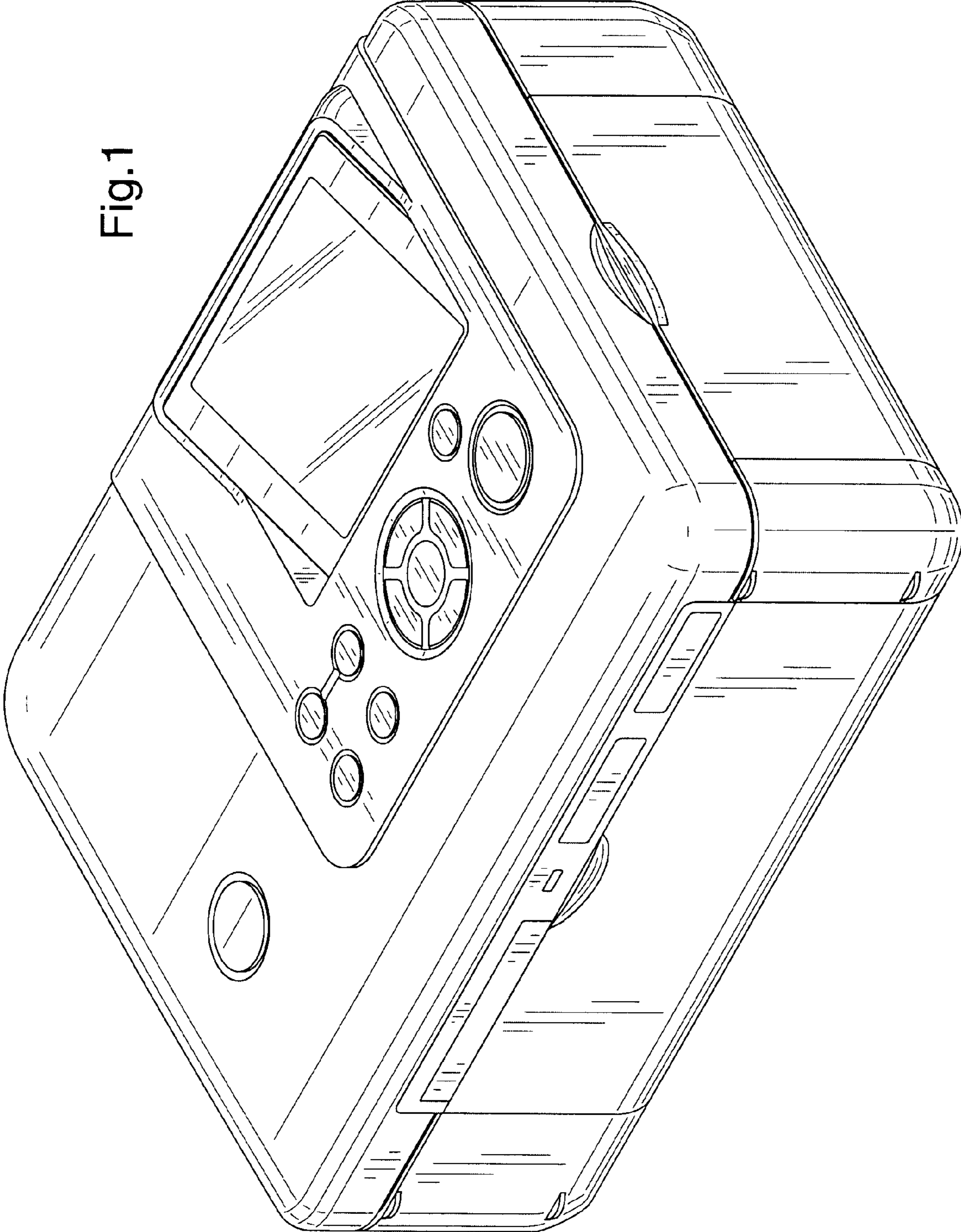


Fig.1



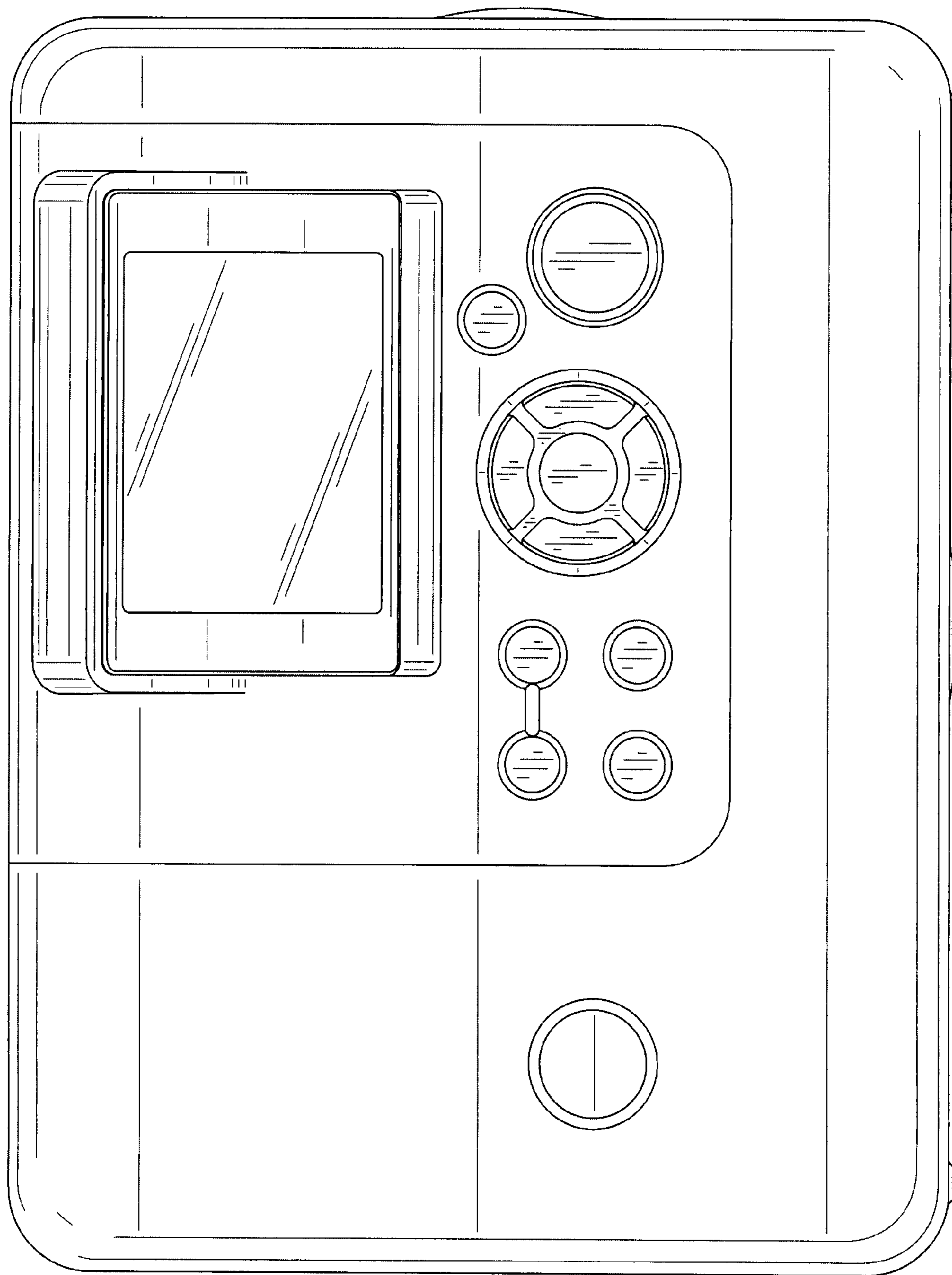


Fig.2

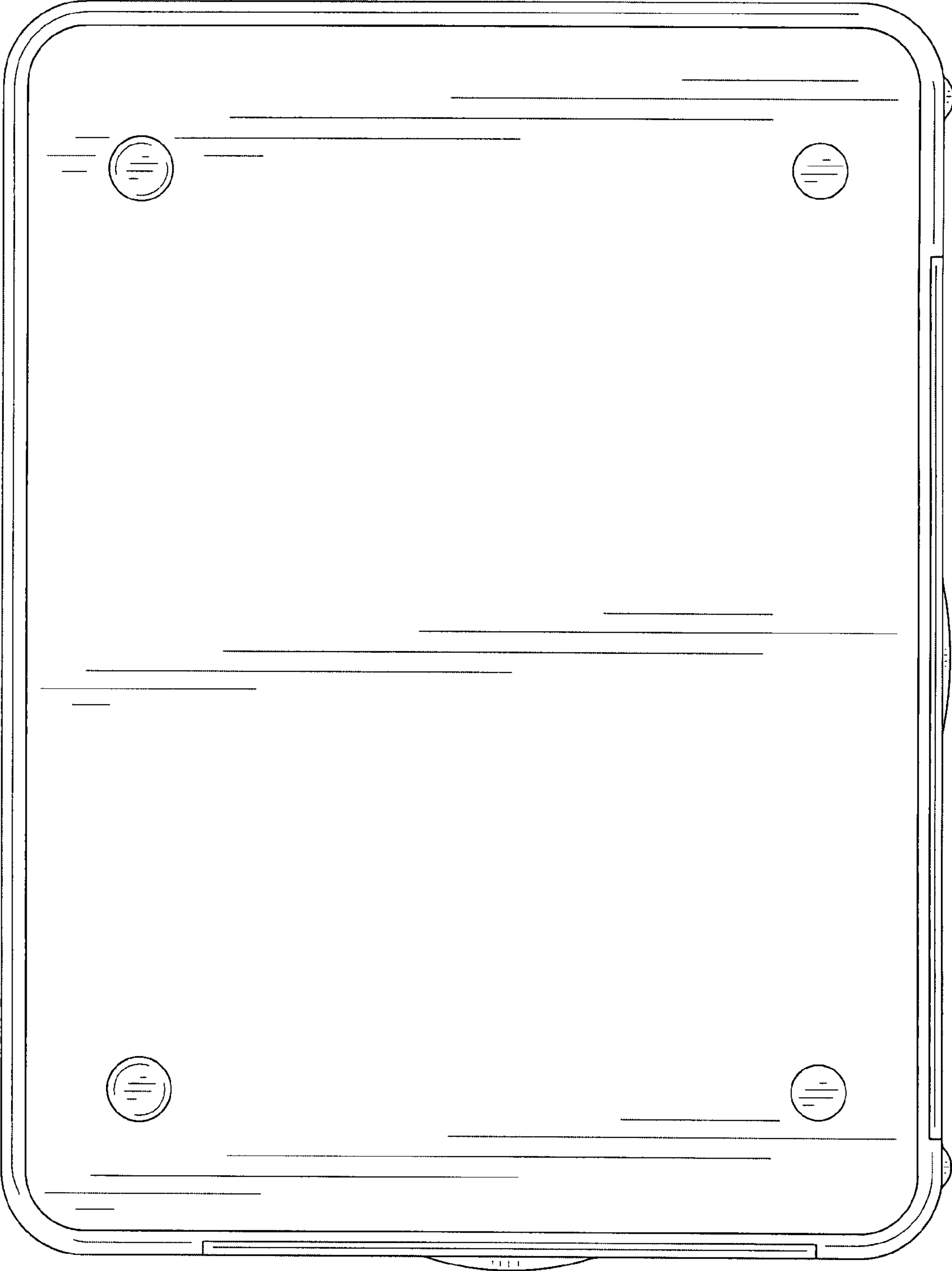


Fig.3

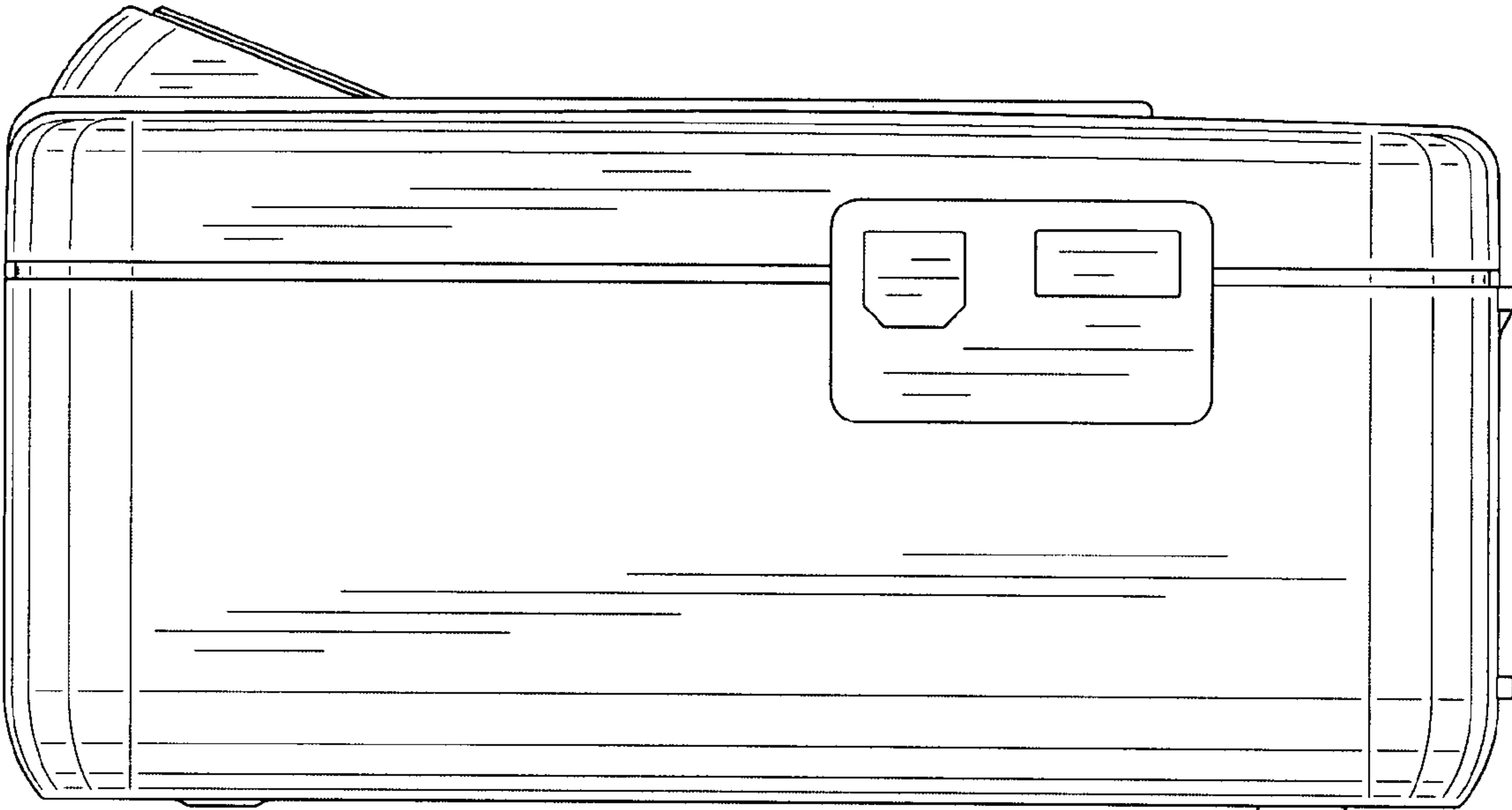


Fig.4

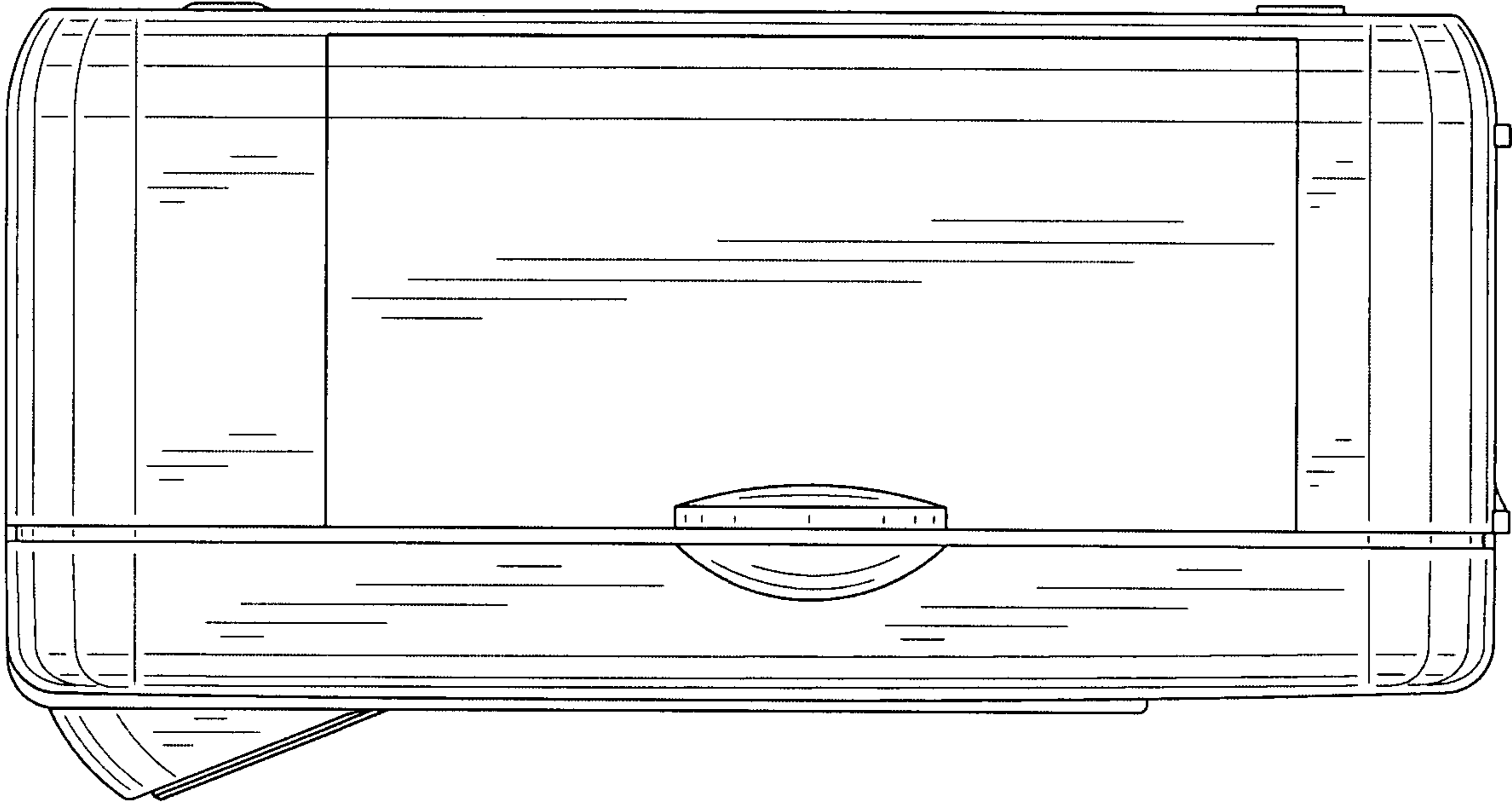


Fig.5

Fig.6

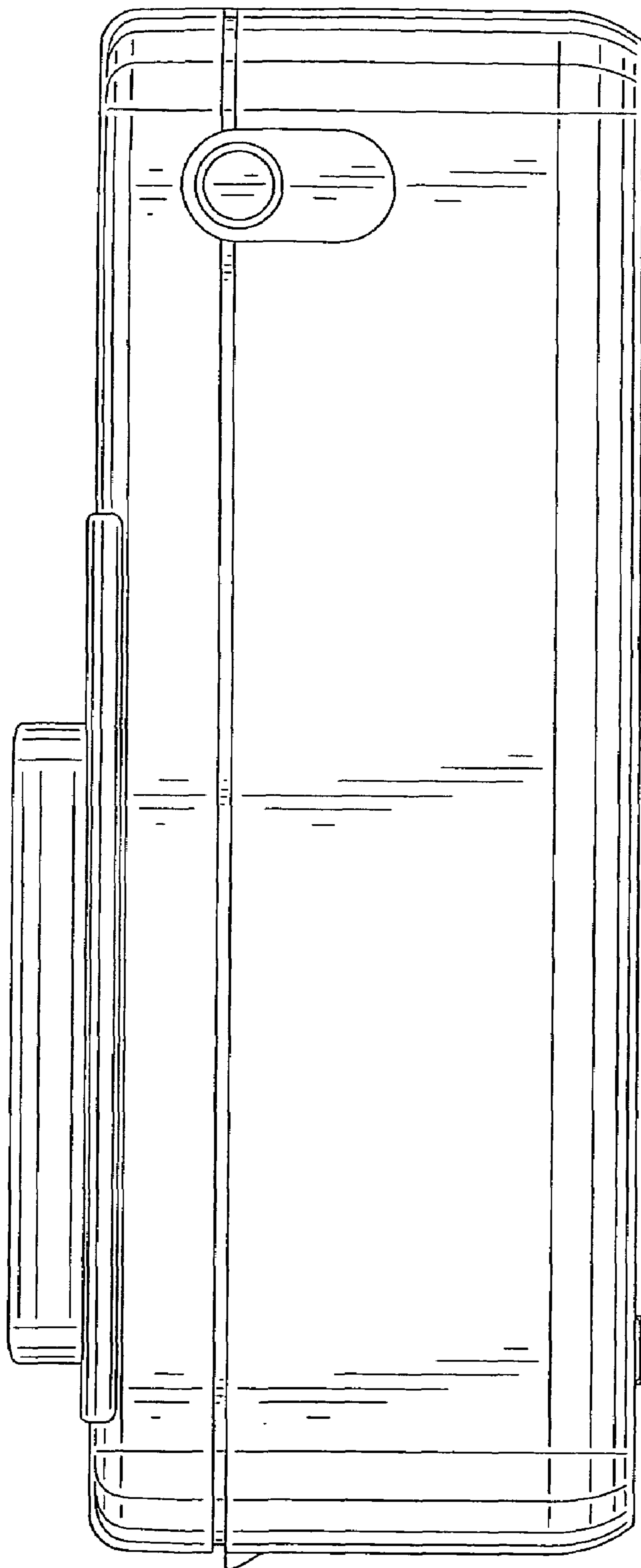


Fig. 7

