



US00D580484S

(12) **United States Design Patent**
Ishio

(10) **Patent No.:** **US D580,484 S**

(45) **Date of Patent:** **** Nov. 11, 2008**

(54) **ELECTRONIC OFFICE MACHINE**

(75) Inventor: **Hisaya Ishio**, Kawaguchi (JP)

(73) Assignee: **Toshiba Tec Kabushiki Kaisha** (JP)

(**) Term: **14 Years**

(21) Appl. No.: **29/294,154**

(22) Filed: **Dec. 21, 2007**

(30) **Foreign Application Priority Data**

Jun. 29, 2007 (JP) 2007-017604

(51) **LOC (8) Cl.** **16-03**

(52) **U.S. Cl.** **D18/39**

(58) **Field of Classification Search** D18/36-41,
D18/44-56; 222/DIG. 1; 271/3.14, 8.1,
271/226, 278; 355/97, 99; 358/1.1; 399/1-7,
399/16, 75, 81, 107, 130, 151, 361, 365,
399/367, 381-383, 388

See application file for complete search history.

(56) **References Cited**

U.S. PATENT DOCUMENTS

D331,595 S * 12/1992 Ishida D18/38
D344,973 S * 3/1994 Penke et al. D18/39
D358,412 S * 5/1995 Momose et al. D18/39
D425,551 S * 5/2000 Shiozaki et al. D18/53

D428,914 S * 8/2000 Kabumoto et al. D18/39
D443,886 S * 6/2001 Kabumoto et al. D18/39
D458,958 S * 6/2002 Agata D18/39
D535,686 S * 1/2007 Ishio D18/39
D552,670 S * 10/2007 Watanabe et al. D18/40
2003/0039481 A1 * 2/2003 Suzuki 399/81

* cited by examiner

Primary Examiner—Caron D. Veynar

Assistant Examiner—Garth Rademaker

(74) *Attorney, Agent, or Firm*—Harness, Dickey & Pierce,
P.L.C.

(57) **CLAIM**

The ornamental design for an electronic office machine, as shown.

DESCRIPTION

FIG. 1 is a front, top and right side perspective view of an electronic copying machine, showing my new design;

FIG. 2 is a front view thereof;

FIG. 3 is a rear view thereof;

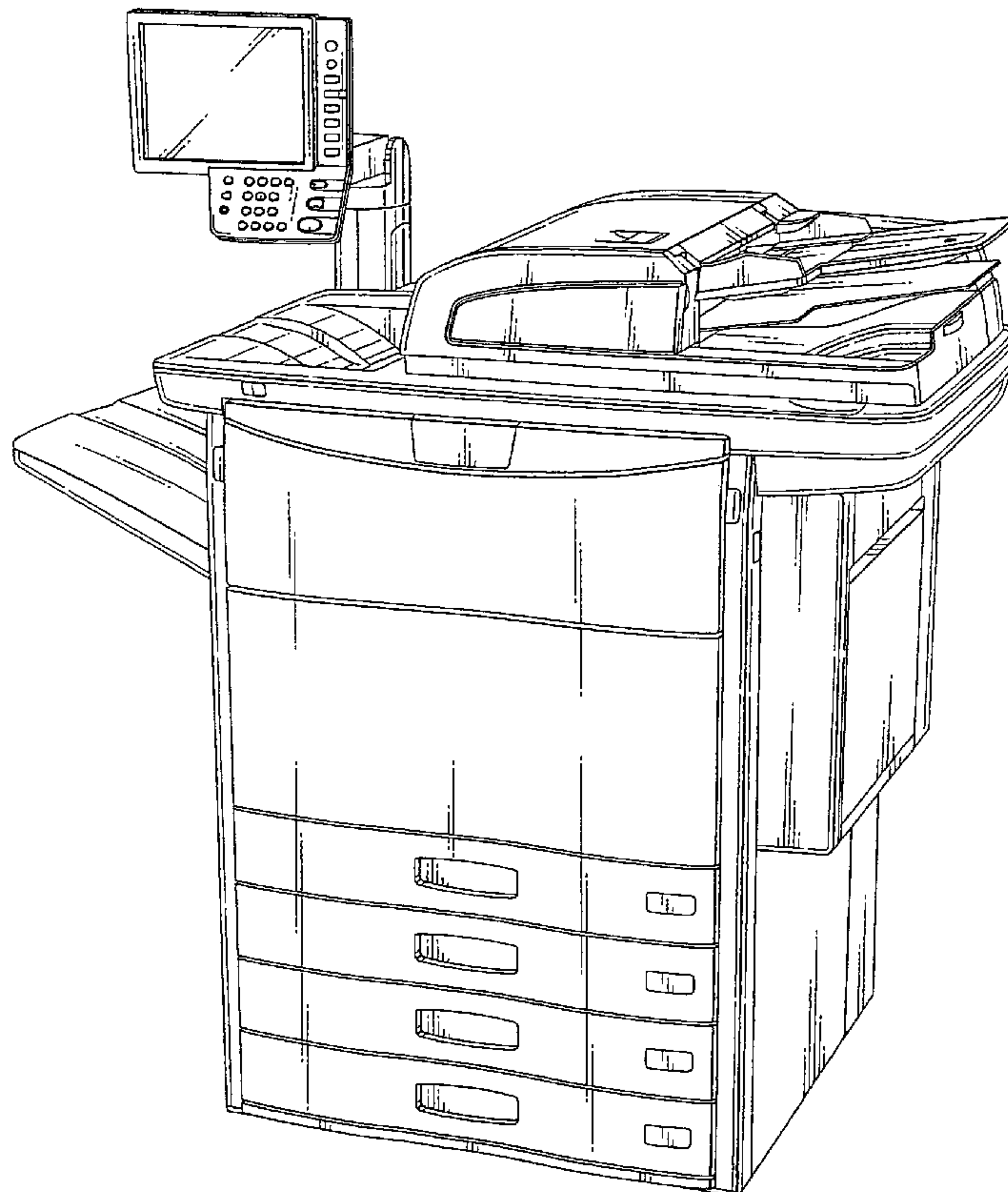
FIG. 4 is a top view thereof;

FIG. 5 is a bottom view thereof;

FIG. 6 is a right side view thereof; and,

FIG. 7 is a left side view thereof.

1 Claim, 6 Drawing Sheets



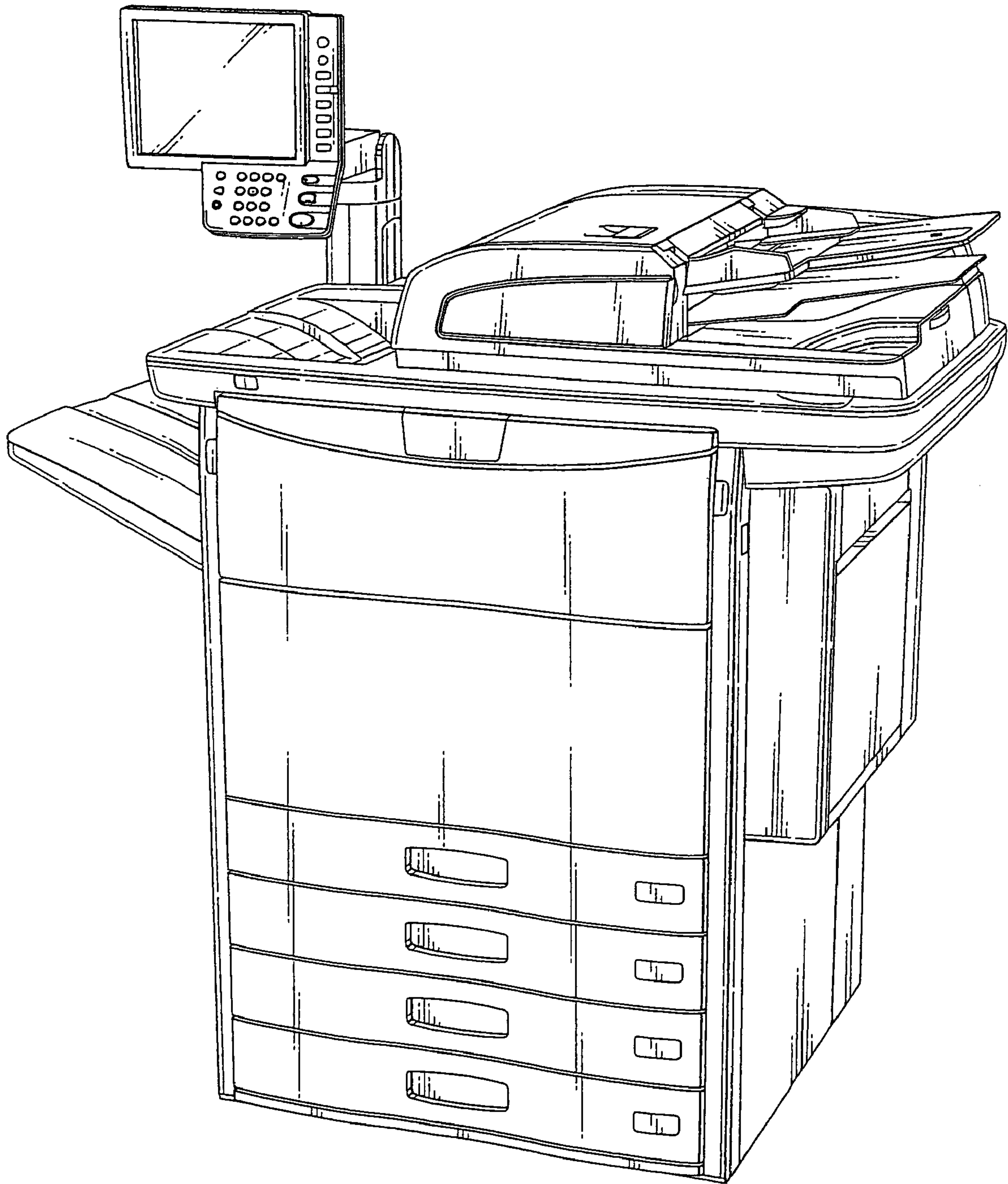


FIG.1

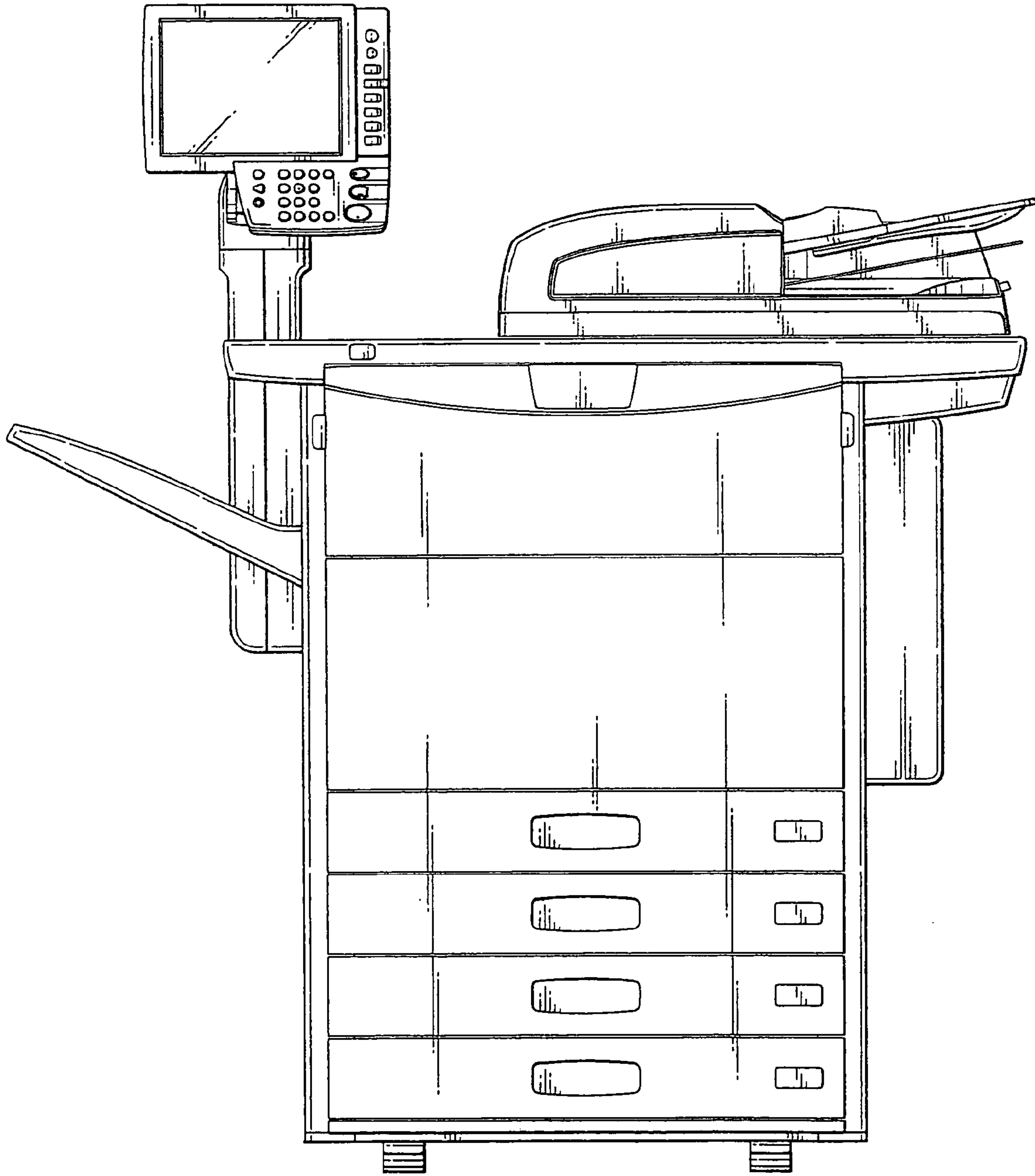


FIG.2

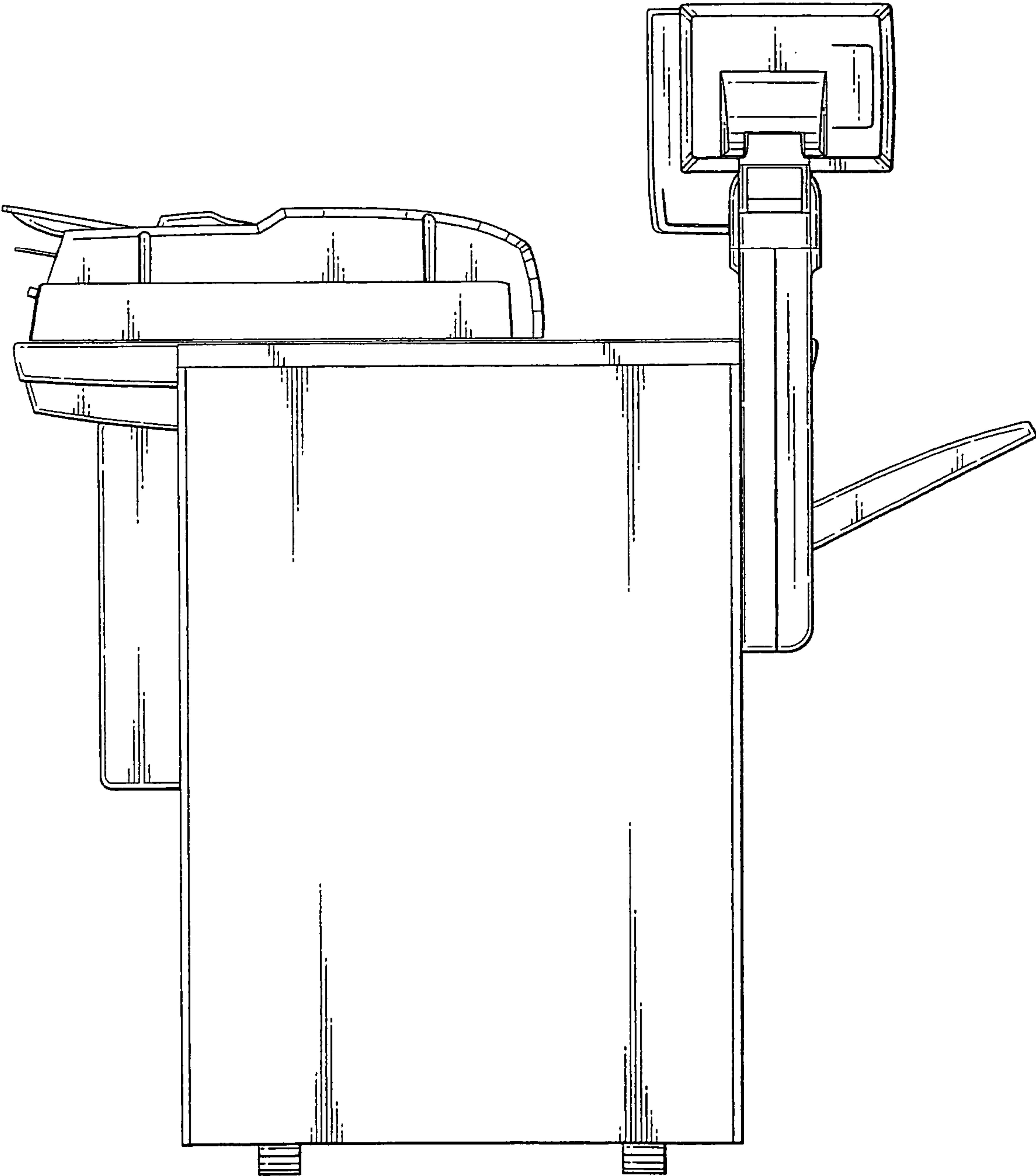


FIG.3

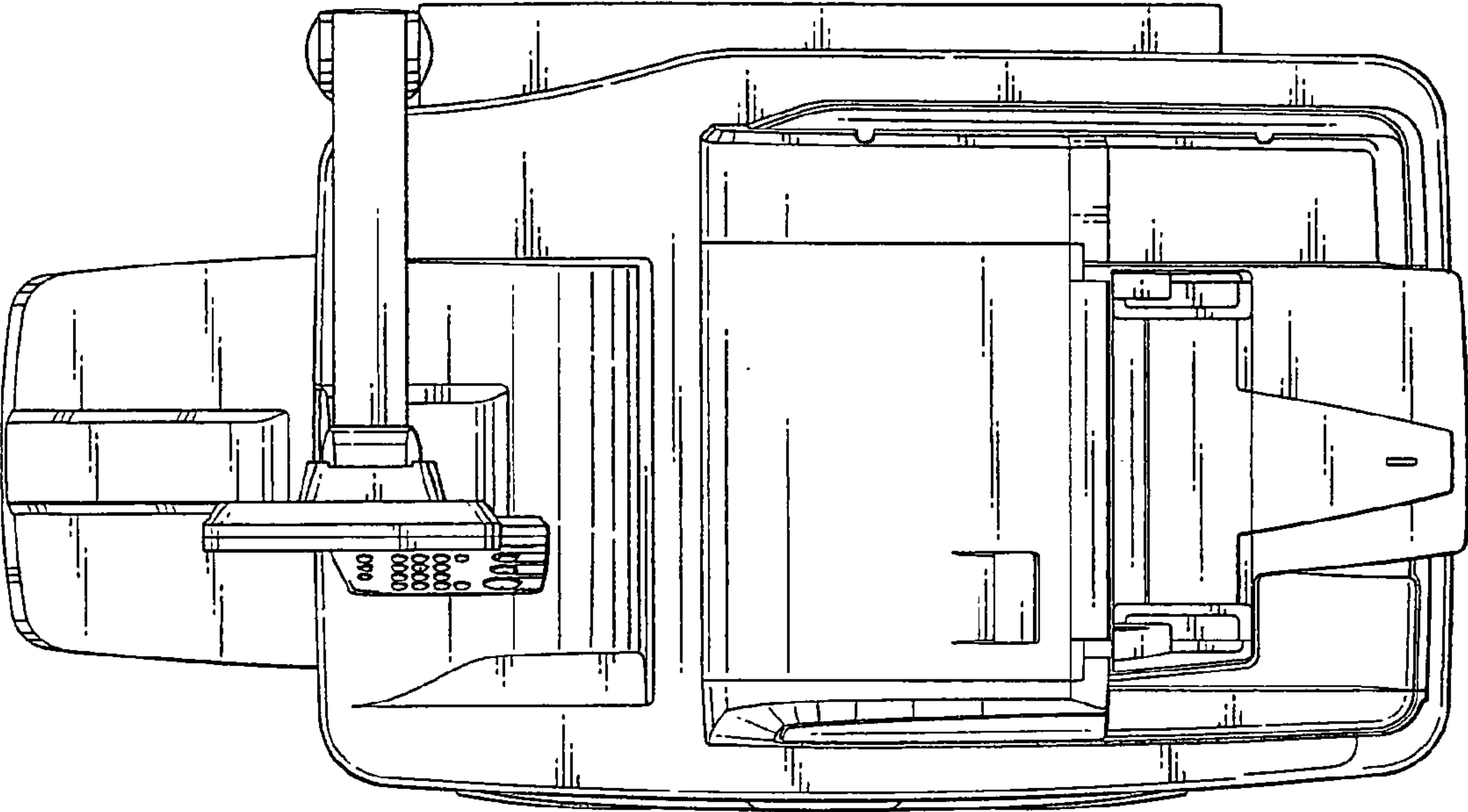


FIG. 4

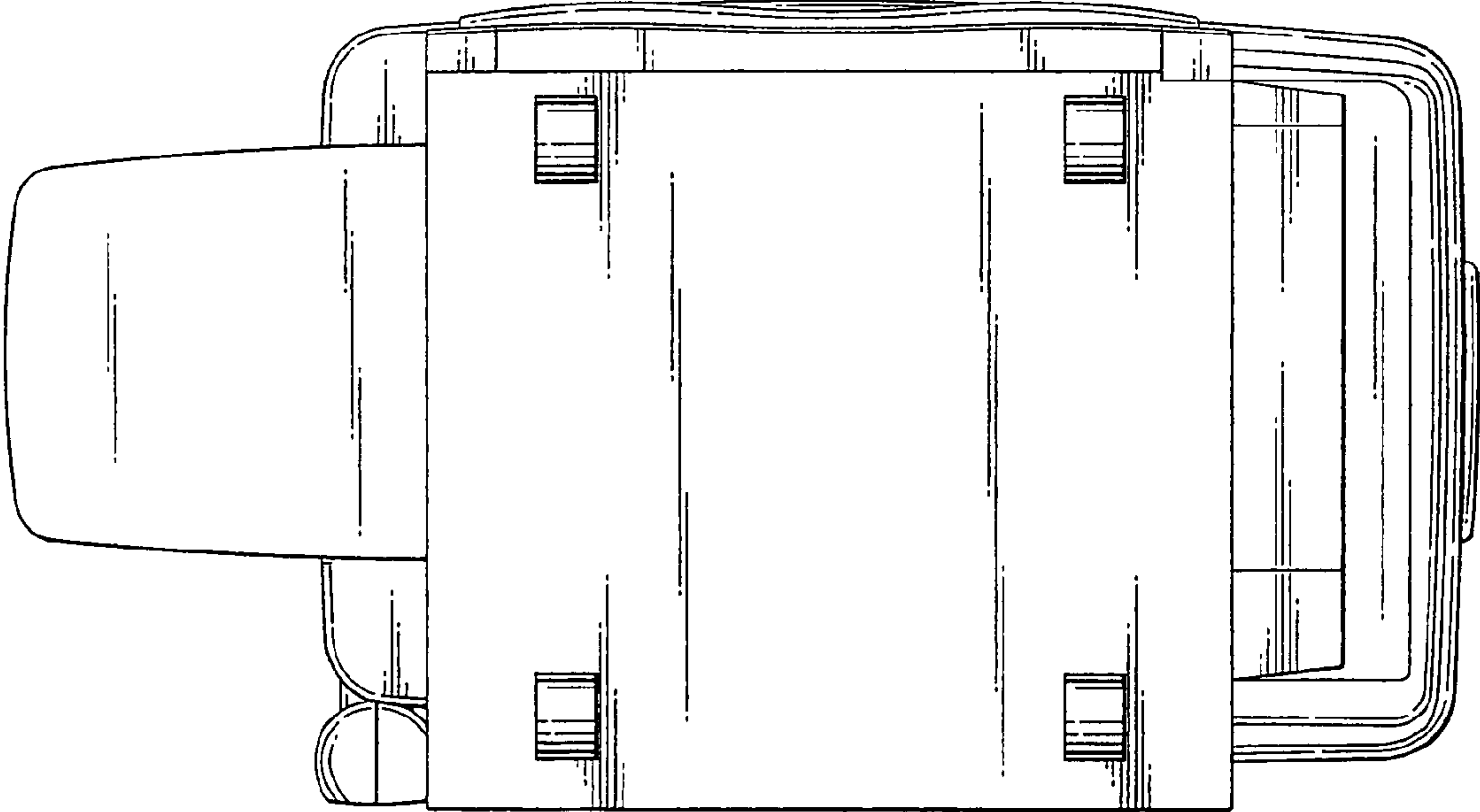


FIG. 5

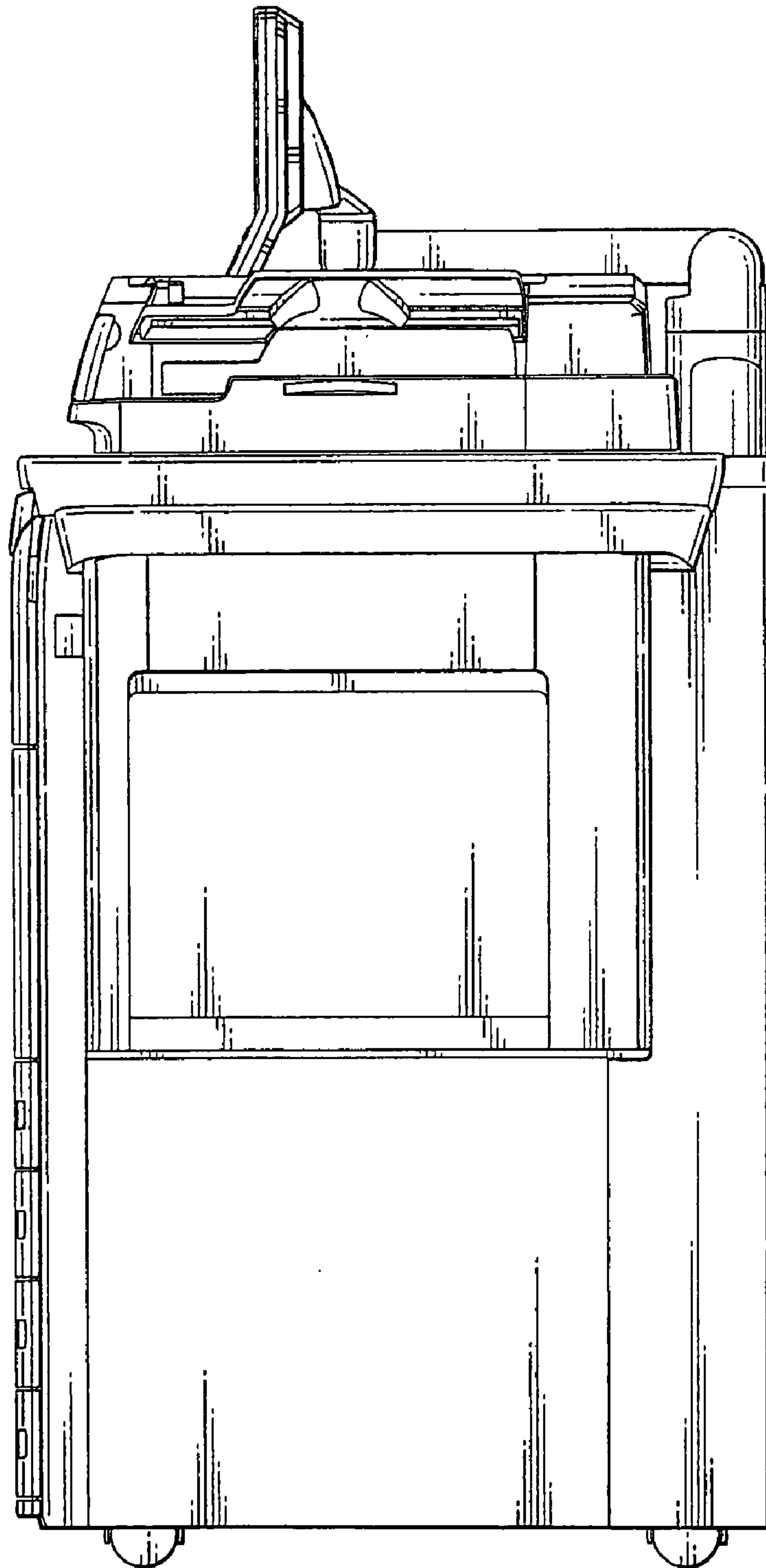


FIG.6

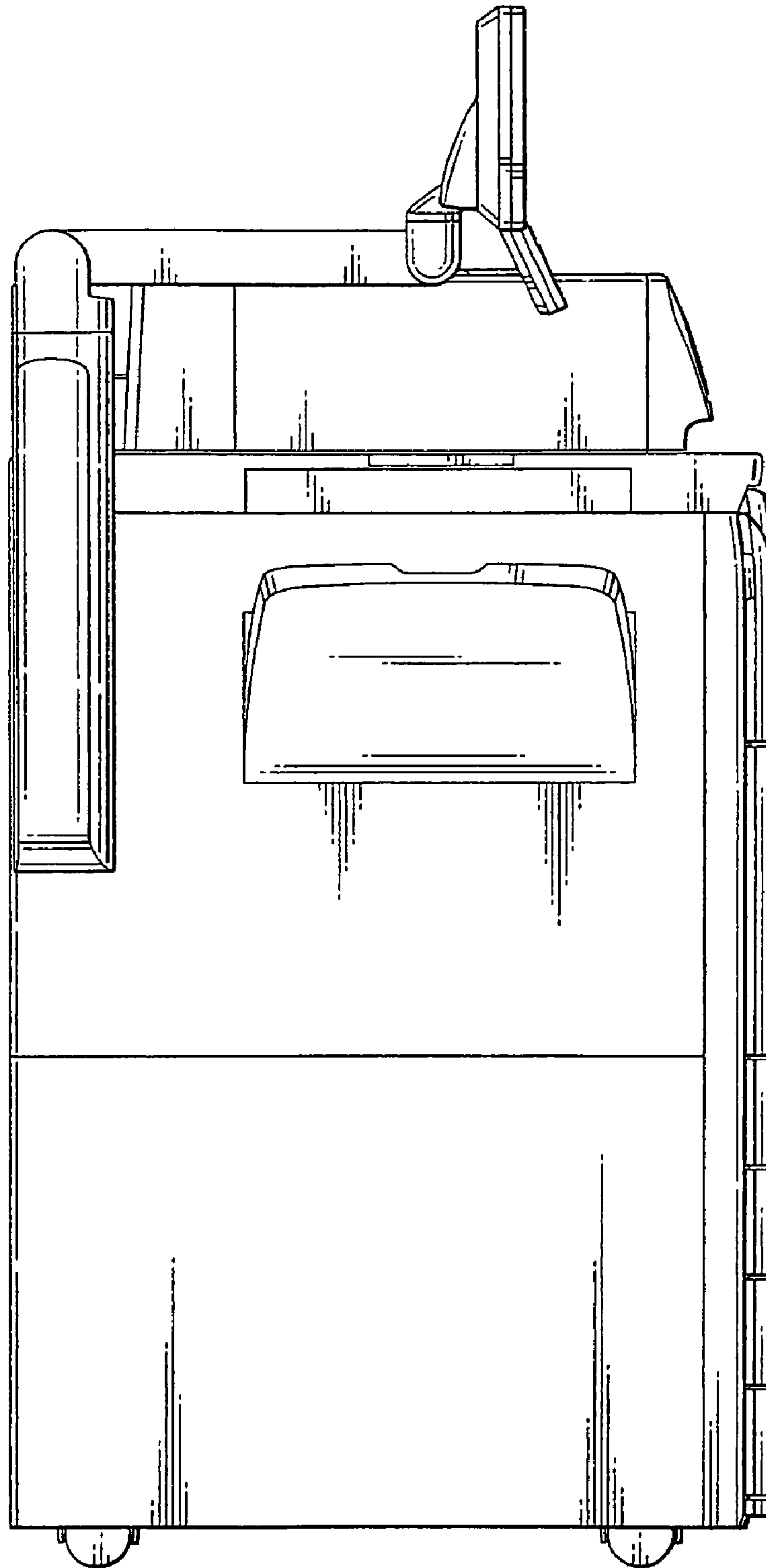


FIG.7