



US00D580481S

(12) **United States Design Patent**
Sued et al.

(10) **Patent No.:** **US D580,481 S**

(45) **Date of Patent:** **** Nov. 11, 2008**

(54) **SHREDDER**

(76) Inventors: **Charles Sued**, 3360 Bedford Ave.,
Brooklyn, NY (US) 11210; **Aron**
Abramson, 2025 E. 9 St., Brooklyn, NY
(US) 11223

(**) Term: **14 Years**

(21) Appl. No.: **29/281,588**

(22) Filed: **Jun. 26, 2007**

(51) **LOC (8) Cl.** **18-04**

(52) **U.S. Cl.** **D18/34.6**

(58) **Field of Classification Search** D18/34.1-34.9;
241/100, 236, 101.78, 36; 83/613, 614, 623,
83/485, 57-68; 164/468; 30/294, 296.1,
30/275.4, 276; D23/359

See application file for complete search history.

(56) **References Cited**

U.S. PATENT DOCUMENTS

| | | | | |
|----------------|---------|---------------|-------|----------|
| D410,246 S * | 5/1999 | Holderfield | | D18/34.6 |
| D437,343 S * | 2/2001 | Ho | | D18/34.6 |
| D455,171 S * | 4/2002 | Ho | | D18/34.6 |
| D498,253 S * | 11/2004 | Lo | | D18/34.6 |
| D502,961 S * | 3/2005 | Lo | | D18/34.6 |
| 6,964,386 B2 * | 11/2005 | Ho | | 241/236 |
| D532,444 S * | 11/2006 | Kao et al. | | D18/34.4 |
| D537,512 S * | 2/2007 | Nakajima | | D23/359 |
| 7,226,009 B2 * | 6/2007 | Matlin et al. | | 241/100 |

| | | | | |
|-------------------|---------|--------------|-------|----------|
| D555,716 S * | 11/2007 | Chen | | D18/34.6 |
| D557,732 S * | 12/2007 | Ho | | D18/34.6 |
| D557,733 S * | 12/2007 | Ho | | D18/34.6 |
| D557,735 S * | 12/2007 | Ho | | D18/34.6 |
| D557,783 S * | 12/2007 | Yoo et al. | | D23/359 |
| D565,714 S * | 4/2008 | Wolff et al. | | D23/359 |
| 7,398,936 B1 * | 7/2008 | Wang | | 241/100 |
| 2004/0188553 A1 * | 9/2004 | Lo | | 241/36 |

* cited by examiner

Primary Examiner—Charles A Rademaker

(74) *Attorney, Agent, or Firm*—Garcia-Zamor IP Law; Ruy M. Garcia-Zamor

(57) **CLAIM**

The ornamental design for a shredder, as shown and described.

DESCRIPTION

FIG. 1 is a perspective view of a shredder showing our new design;

FIG. 2 is a top plan view thereof;

FIG. 3 is a front elevation thereof;

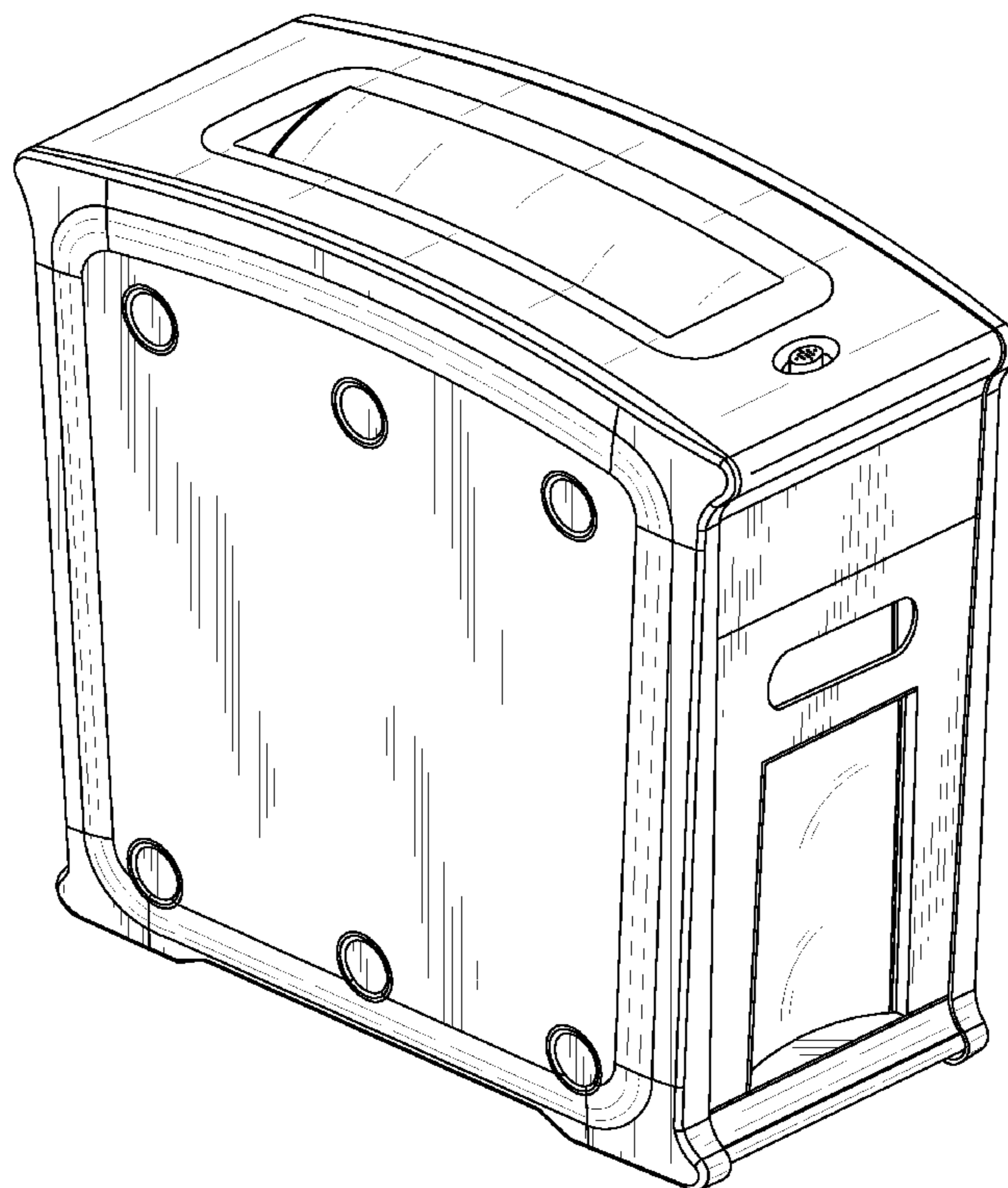
FIG. 4 is a bottom plan view thereof;

FIG. 5 is a rear elevation thereof;

FIG. 6 is a right side elevation thereof; and,

FIG. 7 is a left side elevation thereof.

1 Claim, 4 Drawing Sheets



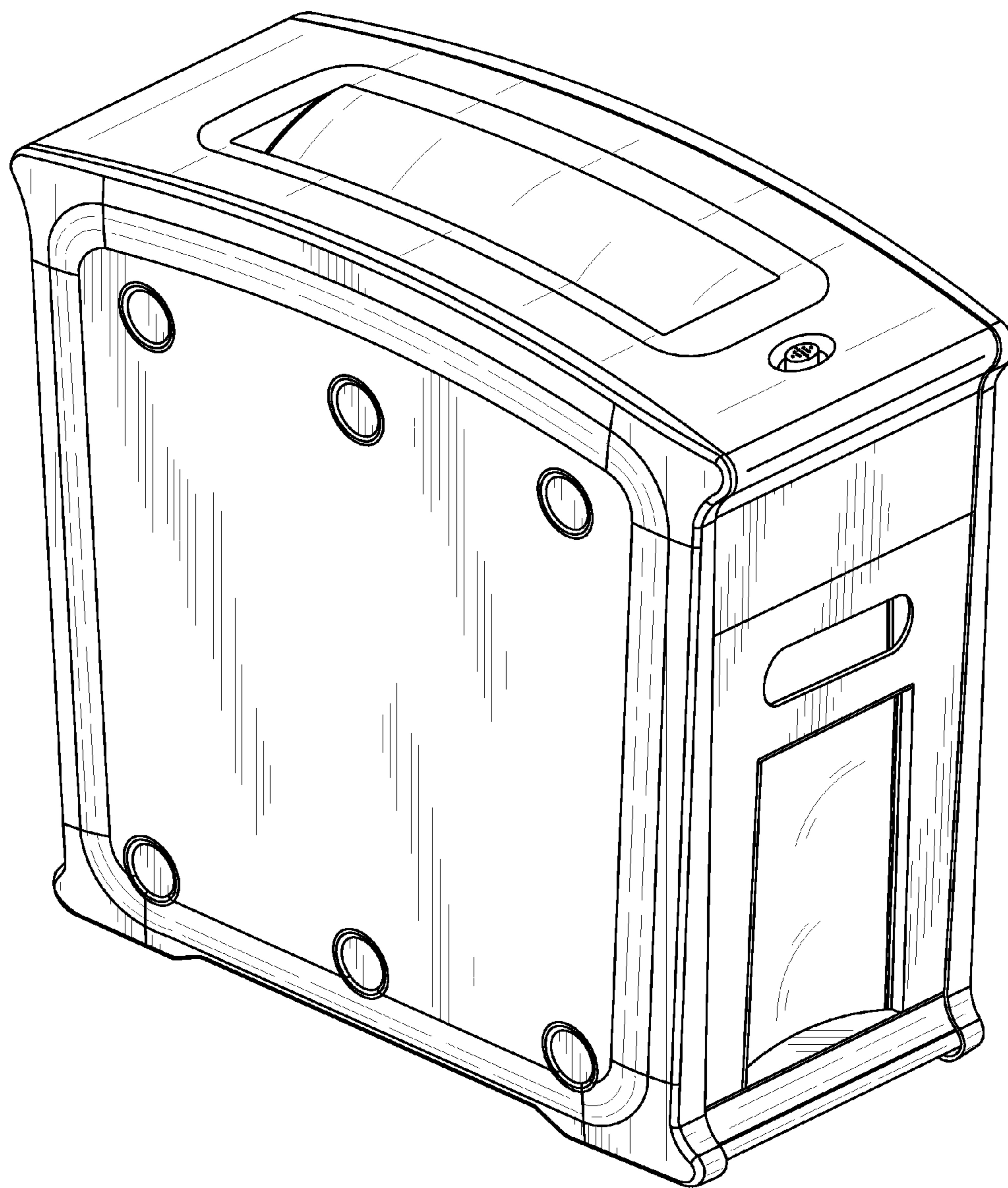


FIG. 1

FIG. 2

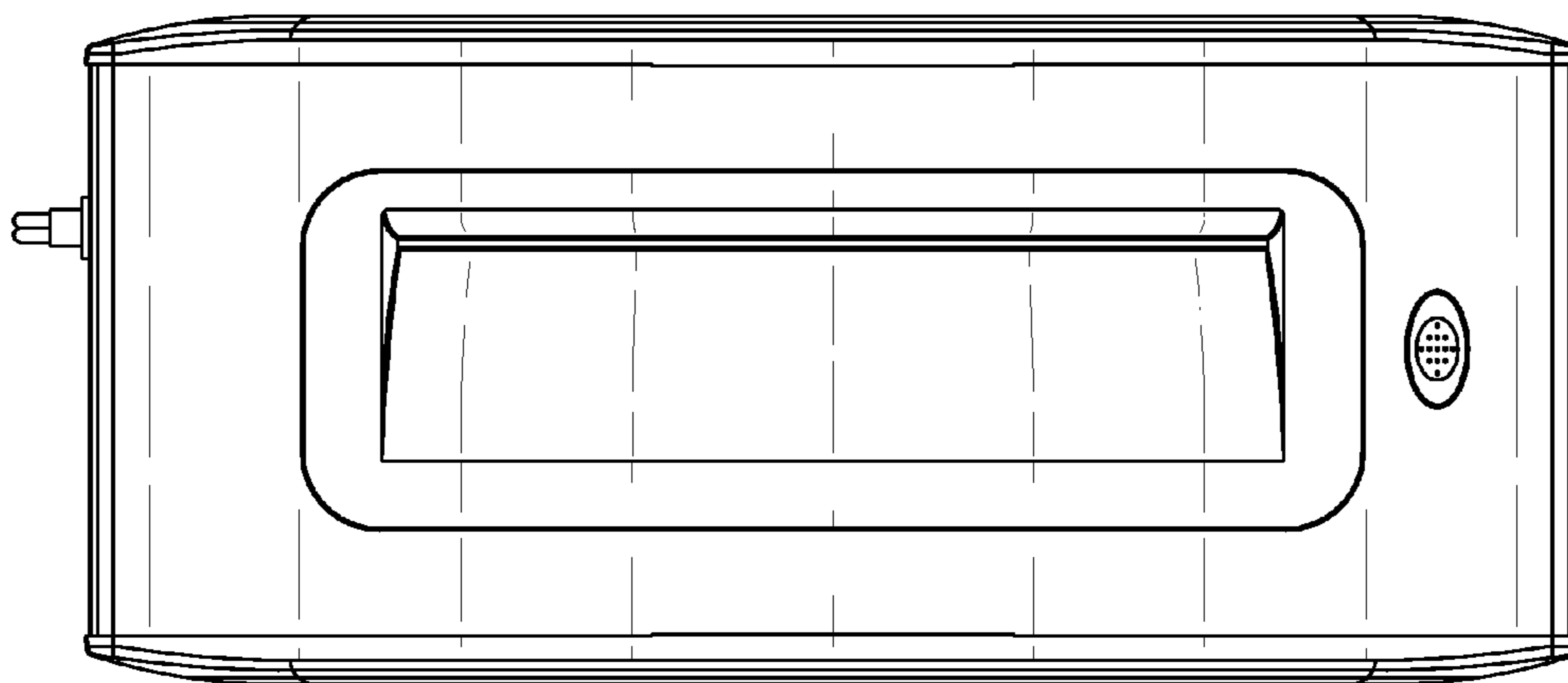


FIG. 3

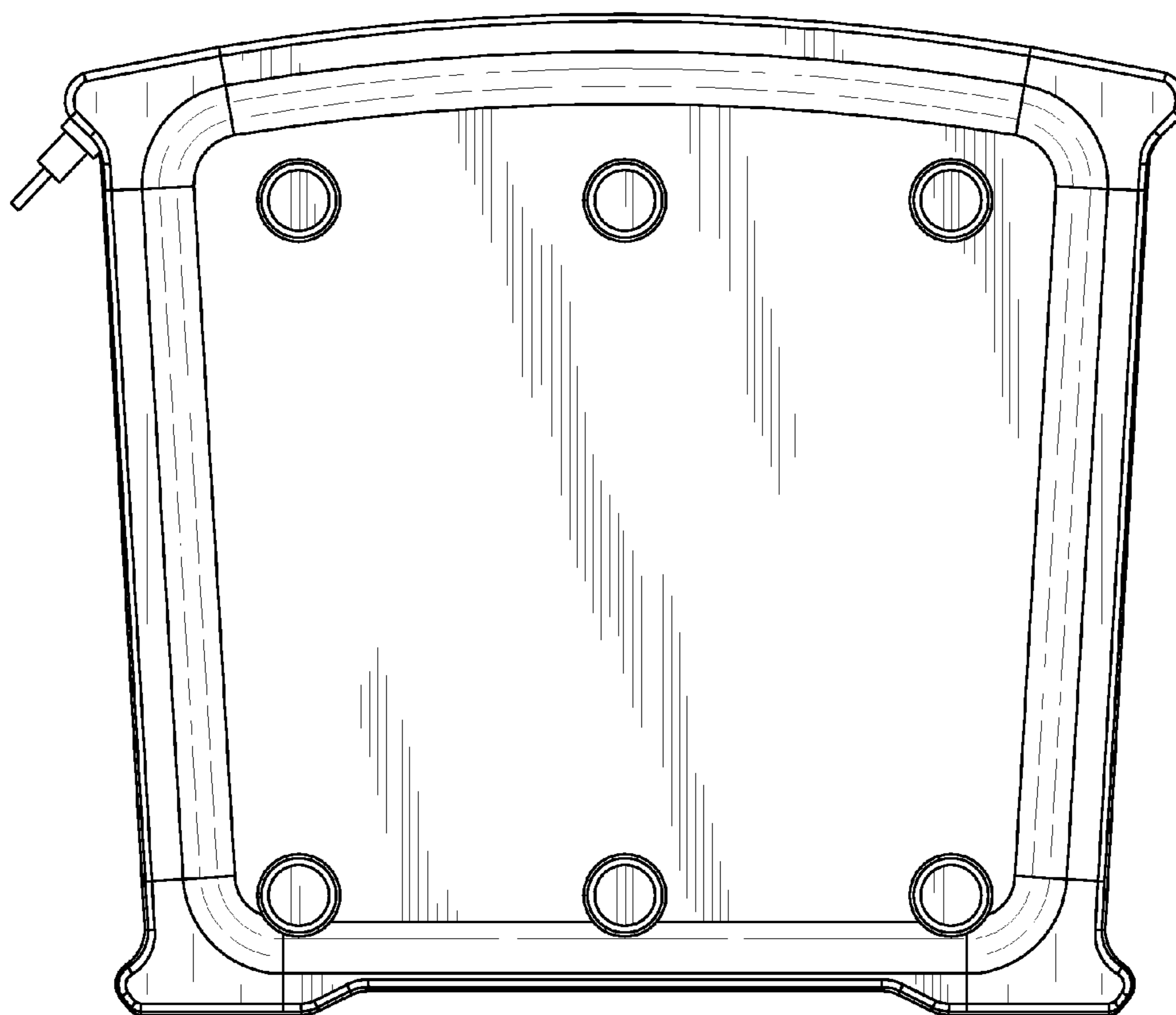


FIG. 4

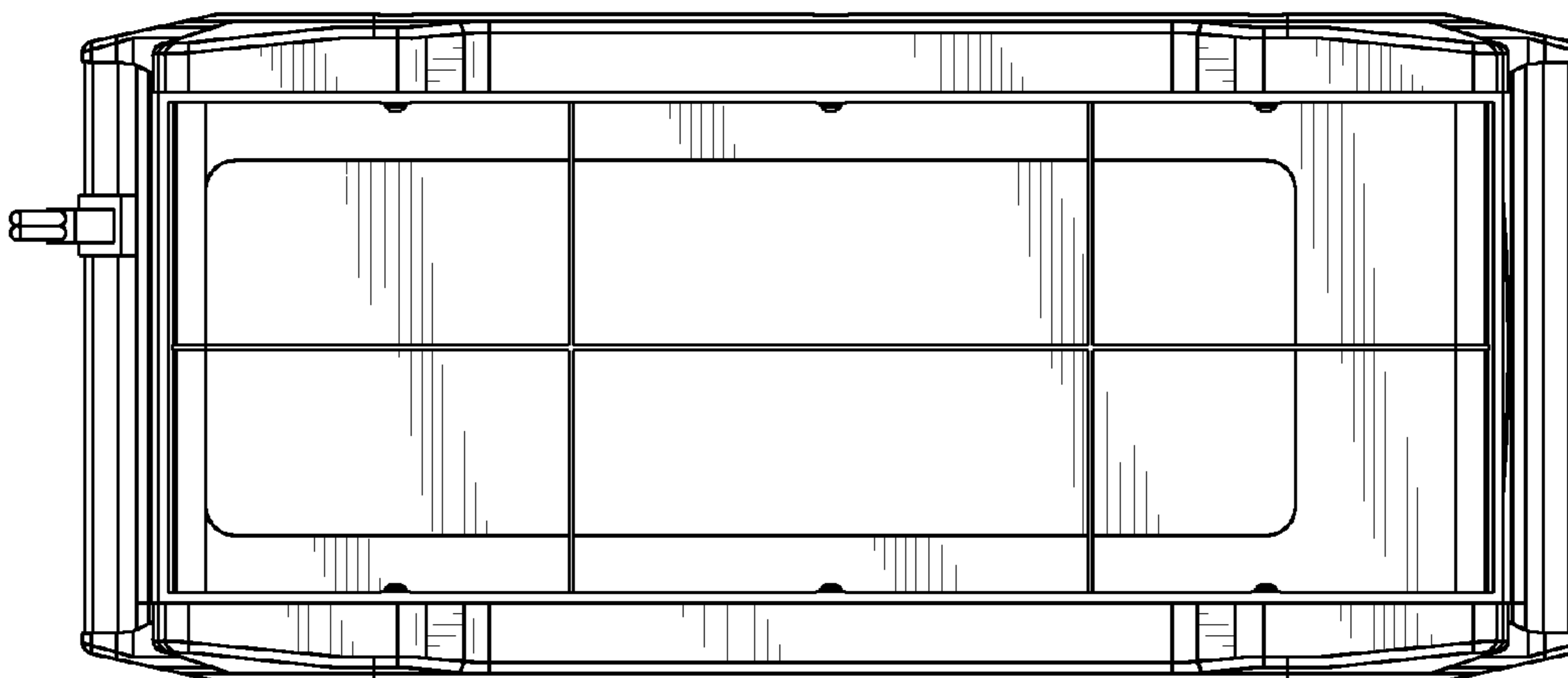


FIG. 5

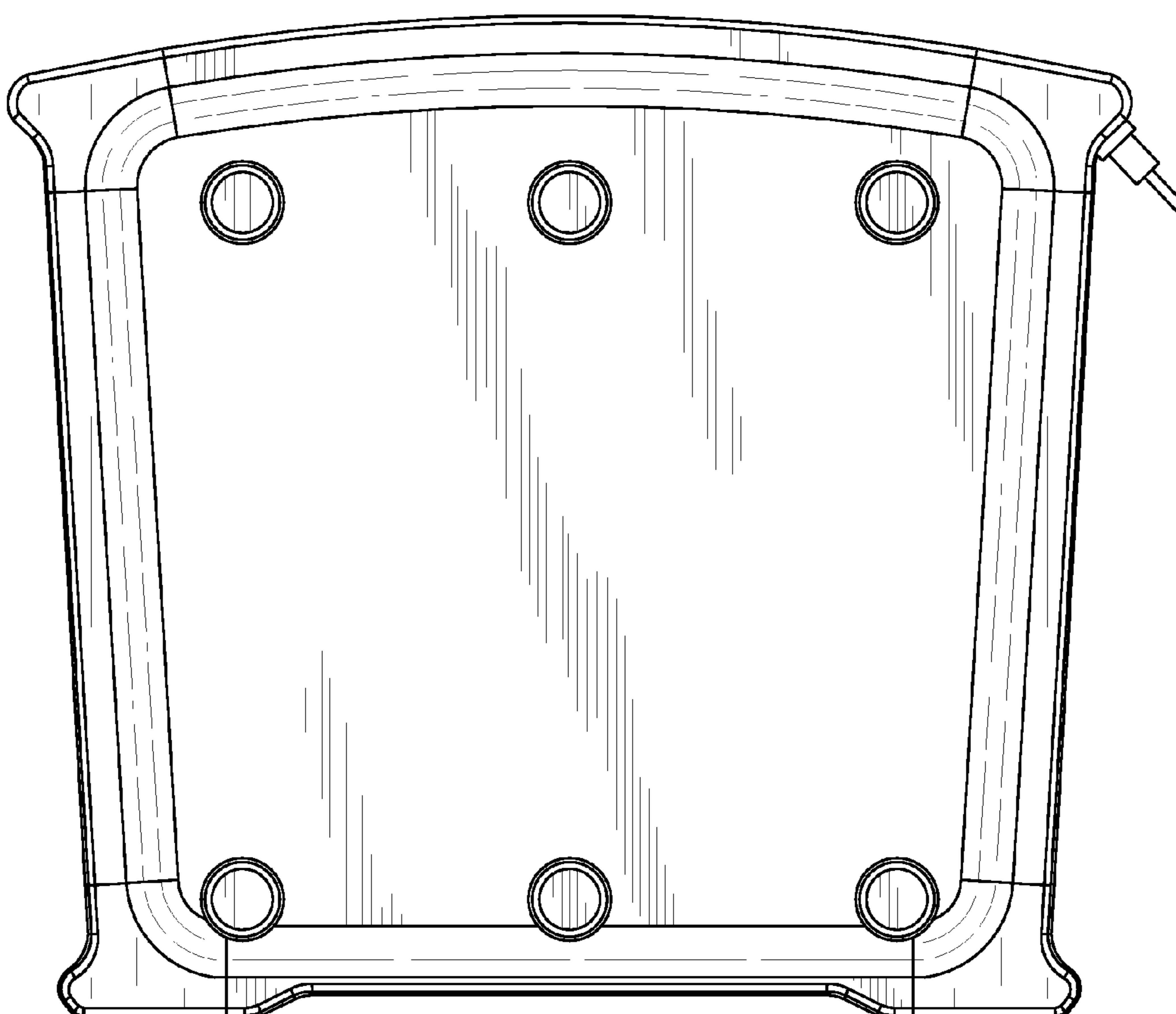


FIG. 6

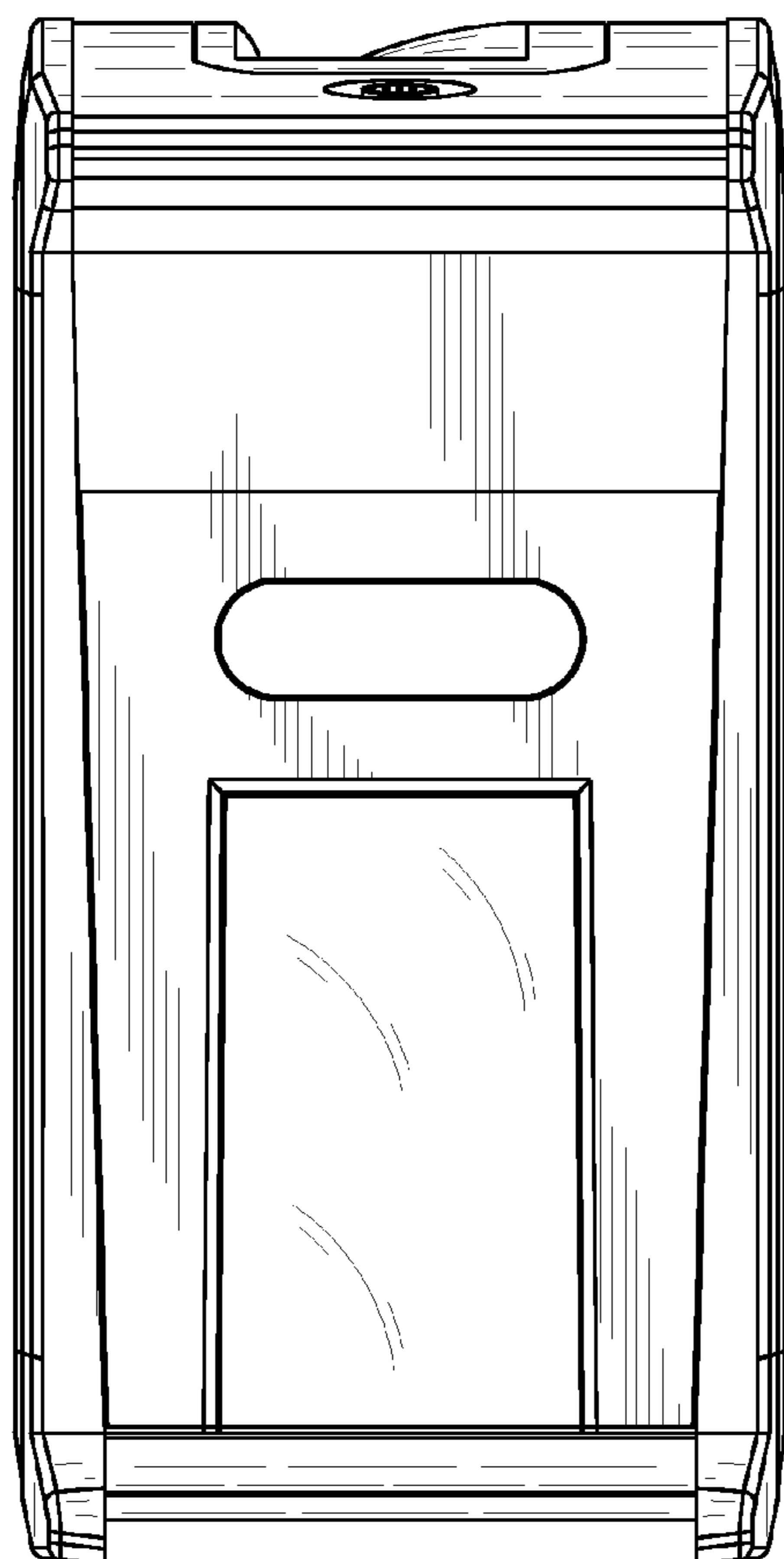


FIG. 7

