



US00D580477S

(12) **United States Design Patent**  
**Sikra et al.**

(10) **Patent No.:** **US D580,477 S**

(45) **Date of Patent:** **\*\* Nov. 11, 2008**

(54) **DRUM LUG**

(75) Inventors: **Richard A. Sikra**, Thousand Oaks, CA (US); **Scott J. Donnell**, Sherman Oaks, CA (US)

(73) Assignee: **Drum Workshop, Inc.**, Oxnard, CA (US)

(\*\*) Term: **14 Years**

(21) Appl. No.: **29/292,579**

(22) Filed: **Nov. 30, 2007**

(51) **LOC (8) Cl.** ..... **17-04**

(52) **U.S. Cl.** ..... **D17/22; D17/99**

(58) **Field of Classification Search** ..... D17/22, D17/99; 84/411 R, 413, 411 A  
See application file for complete search history.

(56) **References Cited**

U.S. PATENT DOCUMENTS

2,564,933 A \* 8/1951 Somerville ..... 84/411 R  
2,858,724 A \* 11/1958 Troppe ..... 84/411 R  
D322,623 S \* 12/1991 Craviotto et al. .... D17/22

6,162,977 A \* 12/2000 Cohen ..... 84/411 R  
2006/0207407 A1 \* 9/2006 Lang ..... 84/411 R  
2006/0272474 A1 \* 12/2006 Helfrich et al. .... 84/411 R  
2007/0131087 A1 \* 6/2007 Chen ..... 84/411 R

\* cited by examiner

*Primary Examiner*—Ian Simmons

*Assistant Examiner*—Rashida Johnson

(74) *Attorney, Agent, or Firm*—William W. Haefliger

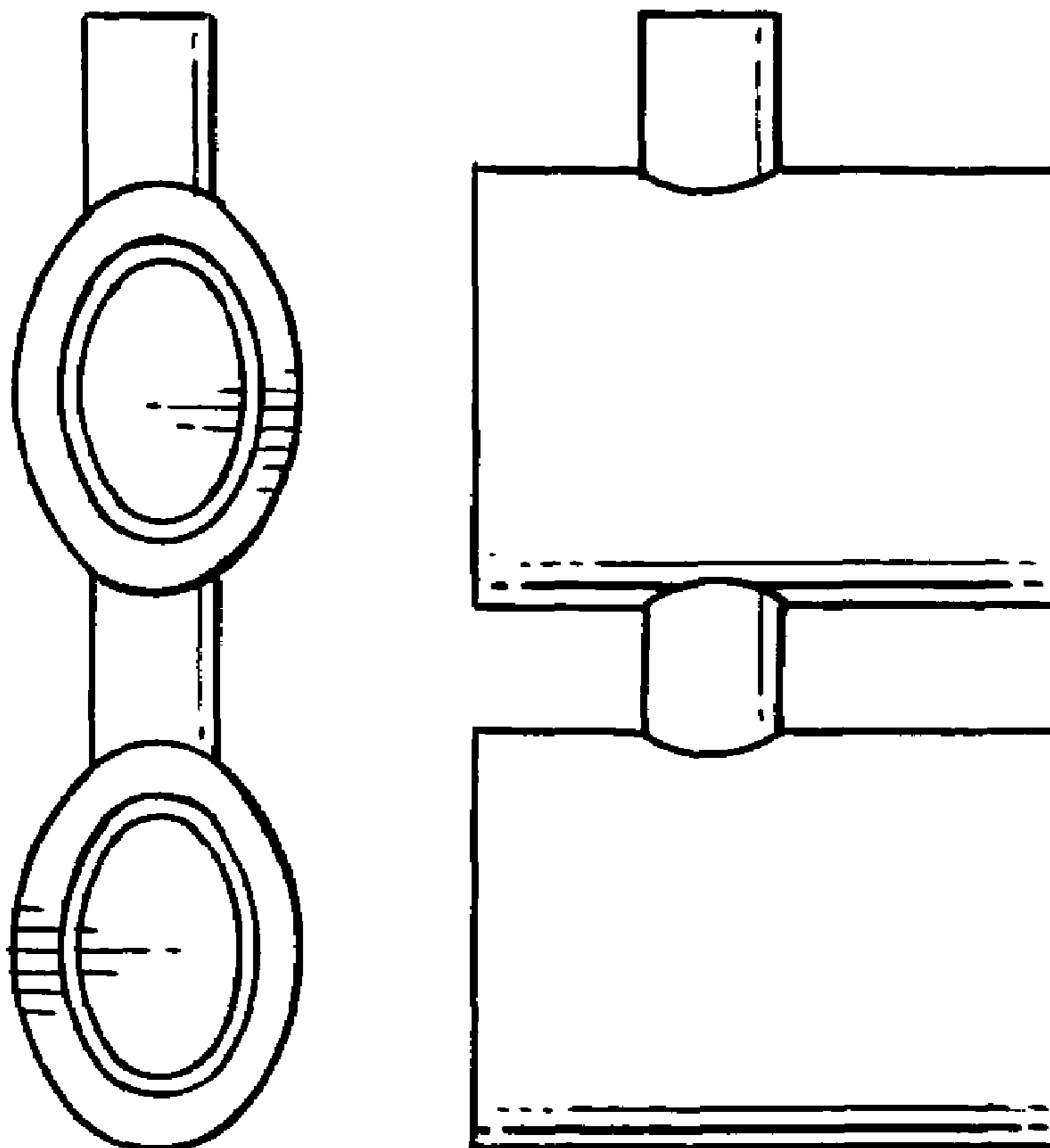
(57) **CLAIM**

The ornamental design for a drum lug, substantially as shown and described.

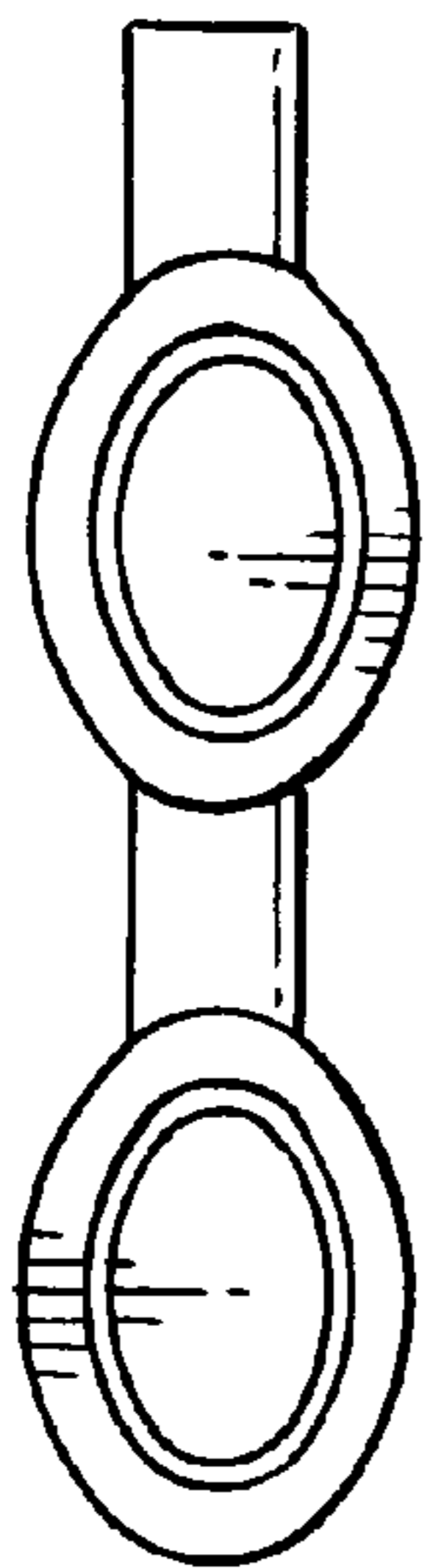
**DESCRIPTION**

FIG. 1 is a frontal elevation view of the drum lug;  
FIG. 2 is a right side elevation view of the FIG. 1 drum lug, the left side view being the same;  
FIG. 3 is a rear elevation view of the FIG. 1 drum lug;  
FIG. 4 is a top plan view of the FIG. 1 drum lug; and,  
FIG. 5 is a bottom plan view of the FIG. 1 drum lug.

**1 Claim, 2 Drawing Sheets**



*FIG. 1.*



*FIG. 2.*

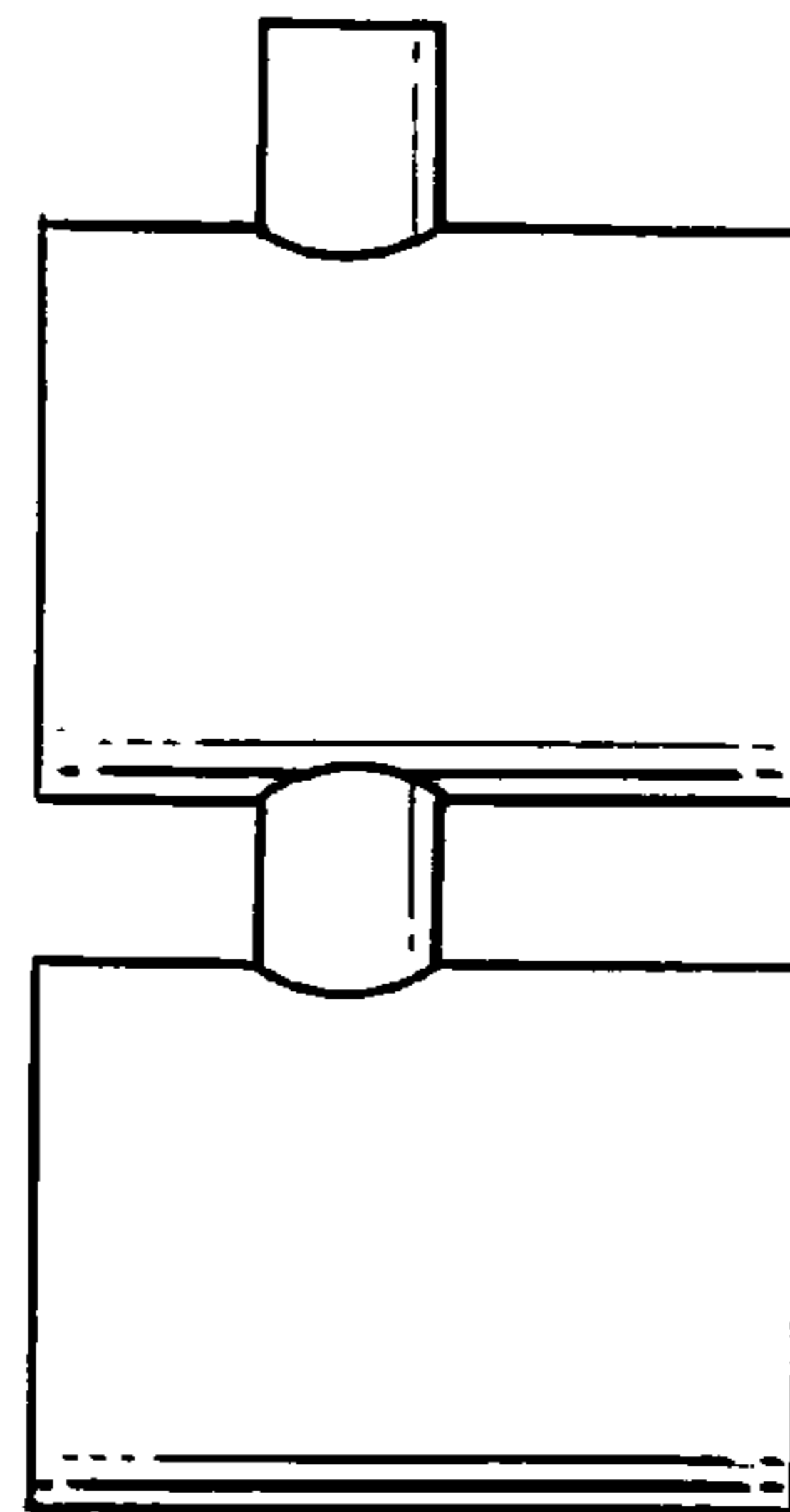


FIG. 3.

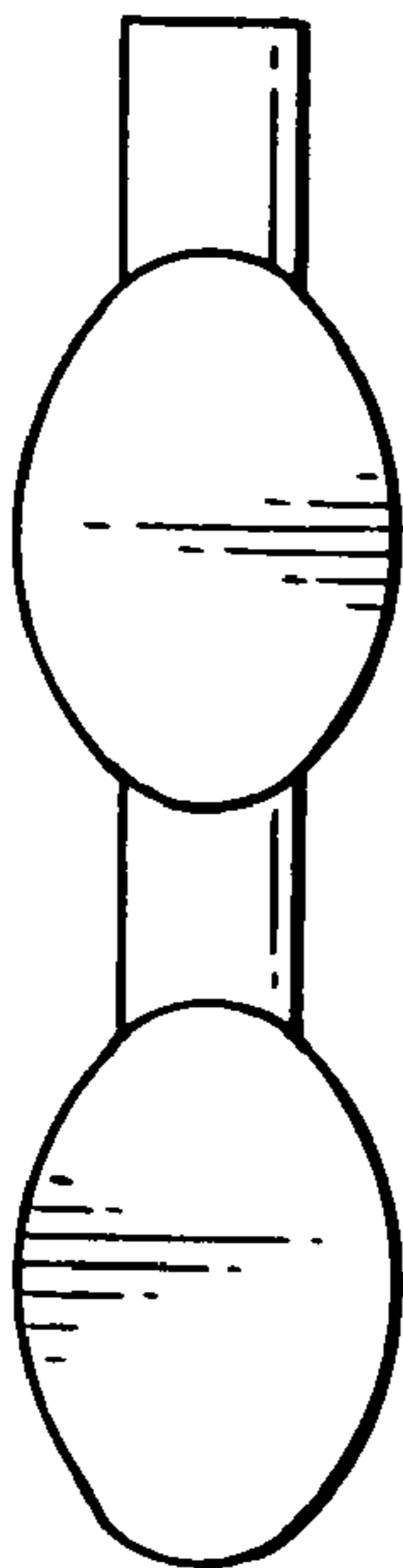


FIG. 4.

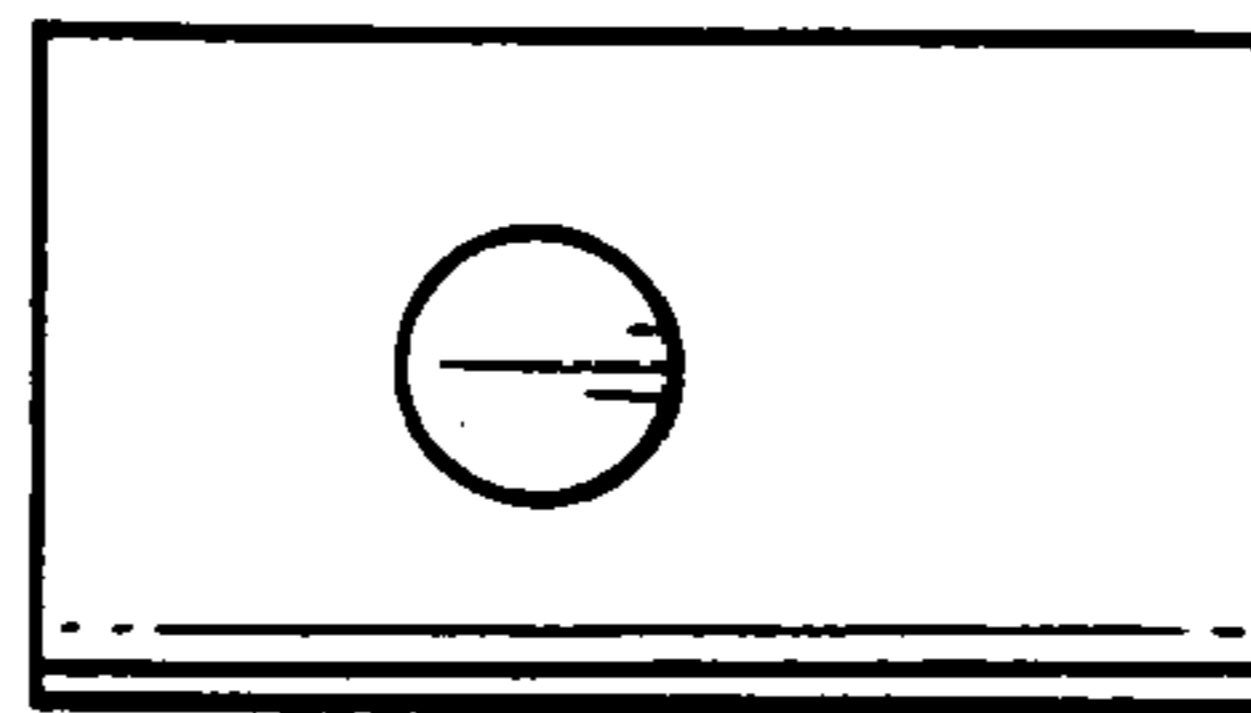


FIG. 5.

