



US00D580474S

(12) **United States Design Patent**
Lee et al.

(10) **Patent No.:** **US D580,474 S**
(45) **Date of Patent:** **** Nov. 11, 2008**

(54) **STORAGE HANDLE FOR A CAMERA**

6,505,429 B2 1/2003 Percival
6,752,369 B1 * 6/2004 Cameron 396/419
D546,865 S * 7/2007 Rietveld et al. D16/242

(76) Inventors: **Tony Lee**, 12743 Cameron Ave., Sylmar, CA (US) 91342; **Daniel Bradley**, 12743 Cameron Ave., Sylmar, CA (US) 91342

* cited by examiner

(**) Term: **14 Years**

Primary Examiner—Adir Aronovich
(74) *Attorney, Agent, or Firm*—Sturm & Fix LLP

(21) Appl. No.: **29/296,409**

(57) **CLAIM**

(22) Filed: **Oct. 19, 2007**

We claim the ornamental design for a storage handle for a camera, as shown and described.

(51) **LOC (8) Cl.** **16-05**

(52) **U.S. Cl.** **D16/242**

(58) **Field of Classification Search** D16/206,
D16/219, 237, 242, 244, 245; 224/908; 248/176.1,
248/187.1; 348/373, 375; 396/419, 420,
396/428

See application file for complete search history.

DESCRIPTION

FIG. 1 is an exploded perspective view of the storage handle for a camera showing our new design, wherein the end cap is shown removed to allow access to the storage tube; the dashed line showing of a camera mounted on the storage handle is for illustrative purpose only and does not form a part of the invention;

(56) **References Cited**

U.S. PATENT DOCUMENTS

- D222,118 S * 9/1971 Nakatani D16/244
- 3,836,986 A 9/1974 Kawazoe
- D257,259 S 10/1980 Shiraiishi
- 4,640,481 A * 2/1987 Kohno 248/126
- 4,752,792 A 6/1988 Keith
- 4,864,335 A * 9/1989 Corrales 396/420
- 5,021,813 A * 6/1991 Corrales 396/420
- 5,421,549 A 6/1995 Richards
- 5,585,849 A 12/1996 Robalino
- 5,752,601 A 5/1998 Arthur
- 6,293,449 B1 * 9/2001 McGuire et al. 224/908

FIG. 2 is a perspective view of the storage handle with the end cap attached to the storage tube;

FIG. 3 is a right-side elevational view thereof; the left side elevational view being a mirror image thereof;

FIG. 4 is a front elevational view thereof;

FIG. 5 is a rear elevational view thereof;

FIG. 6 is a bottom plan view thereof; and,

FIG. 7 is a top plan view thereof.

1 Claim, 2 Drawing Sheets

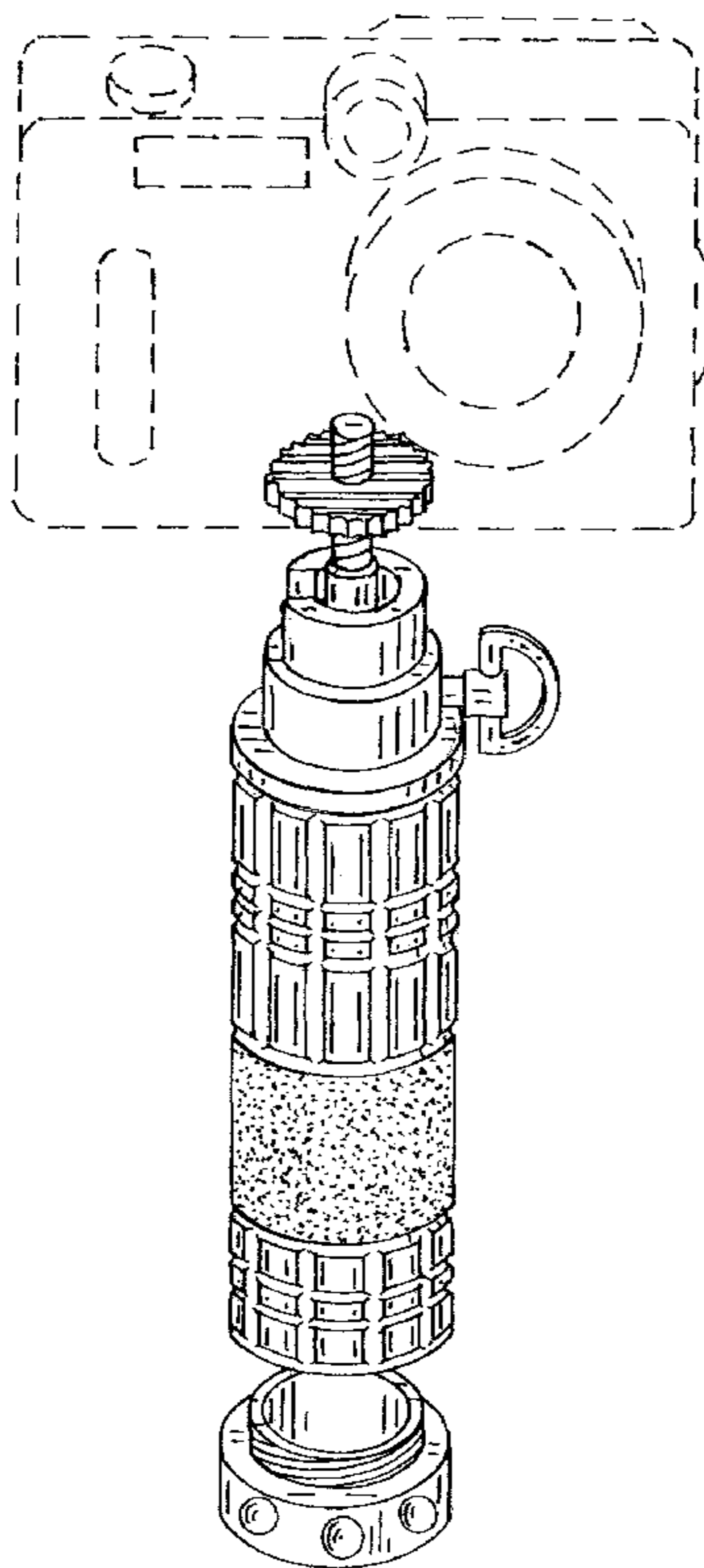


Fig. 2

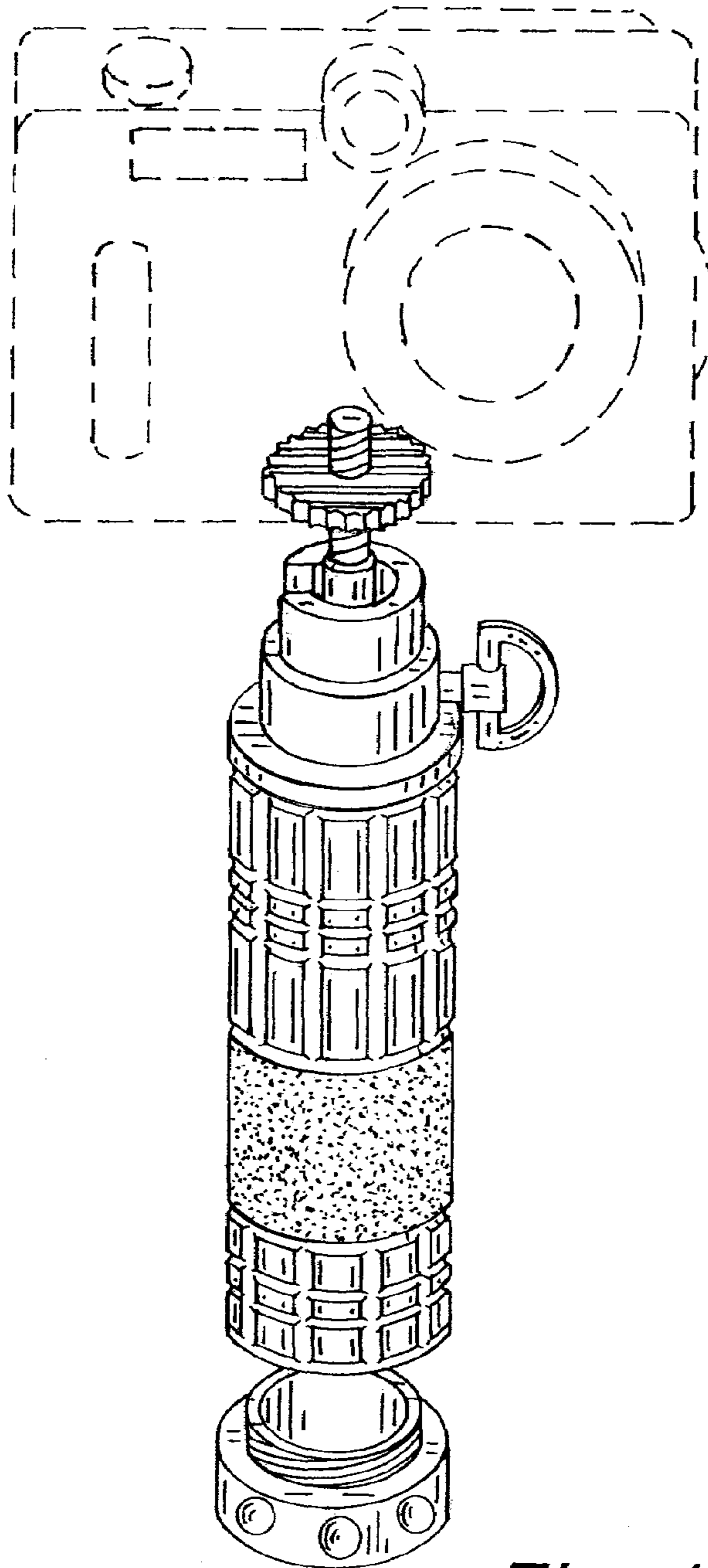


Fig. 1

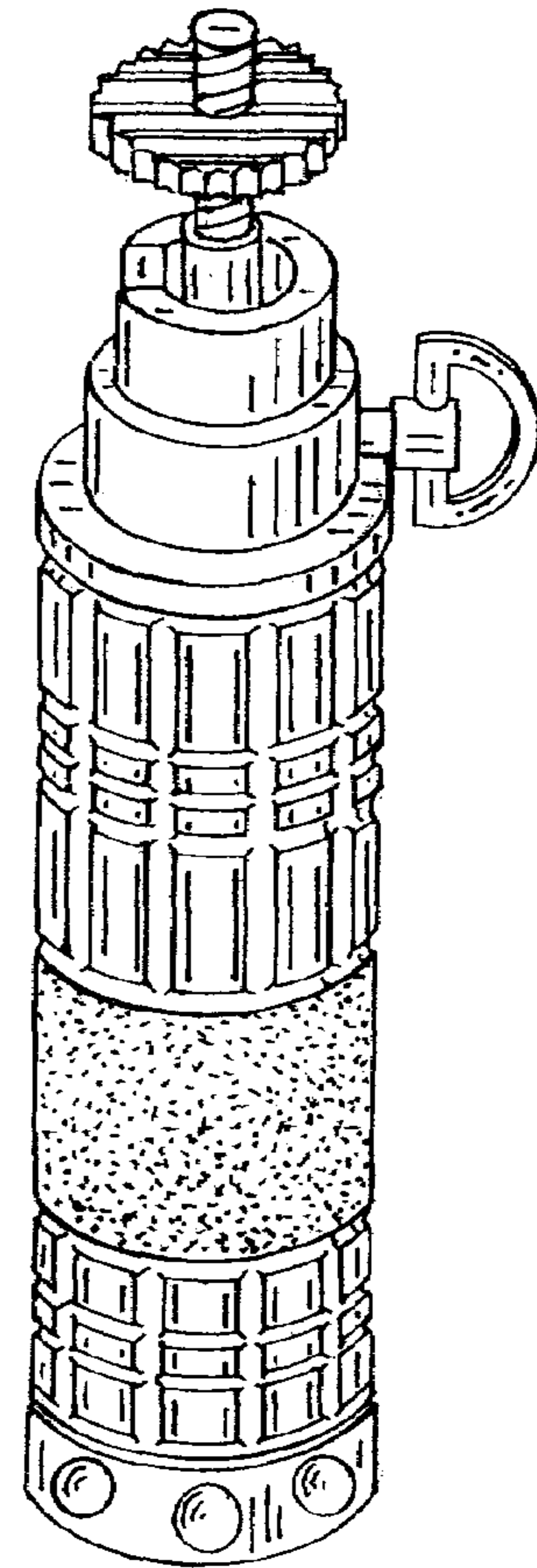


Fig. 3

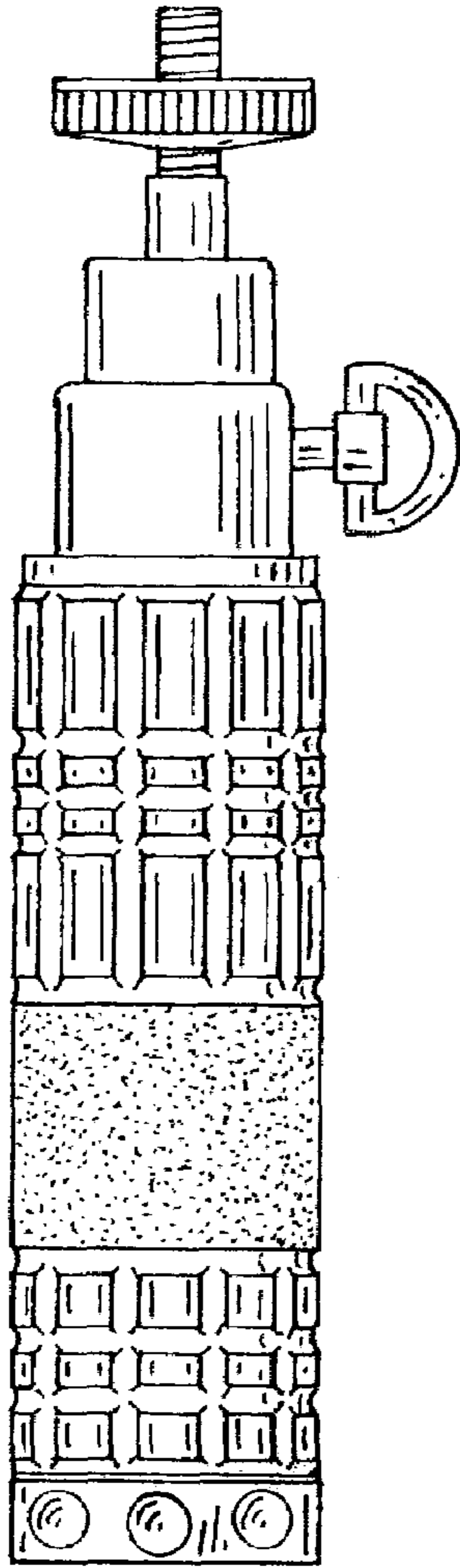


Fig. 5

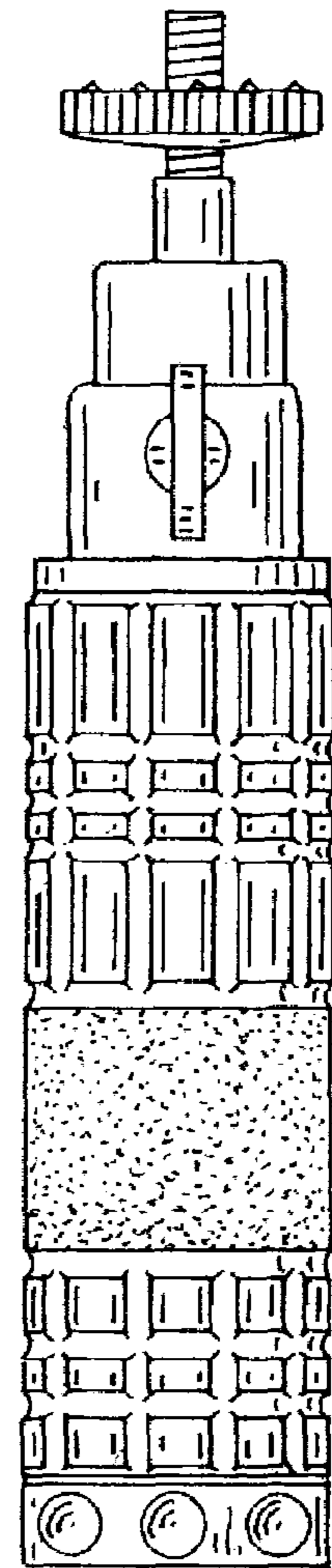


Fig. 4

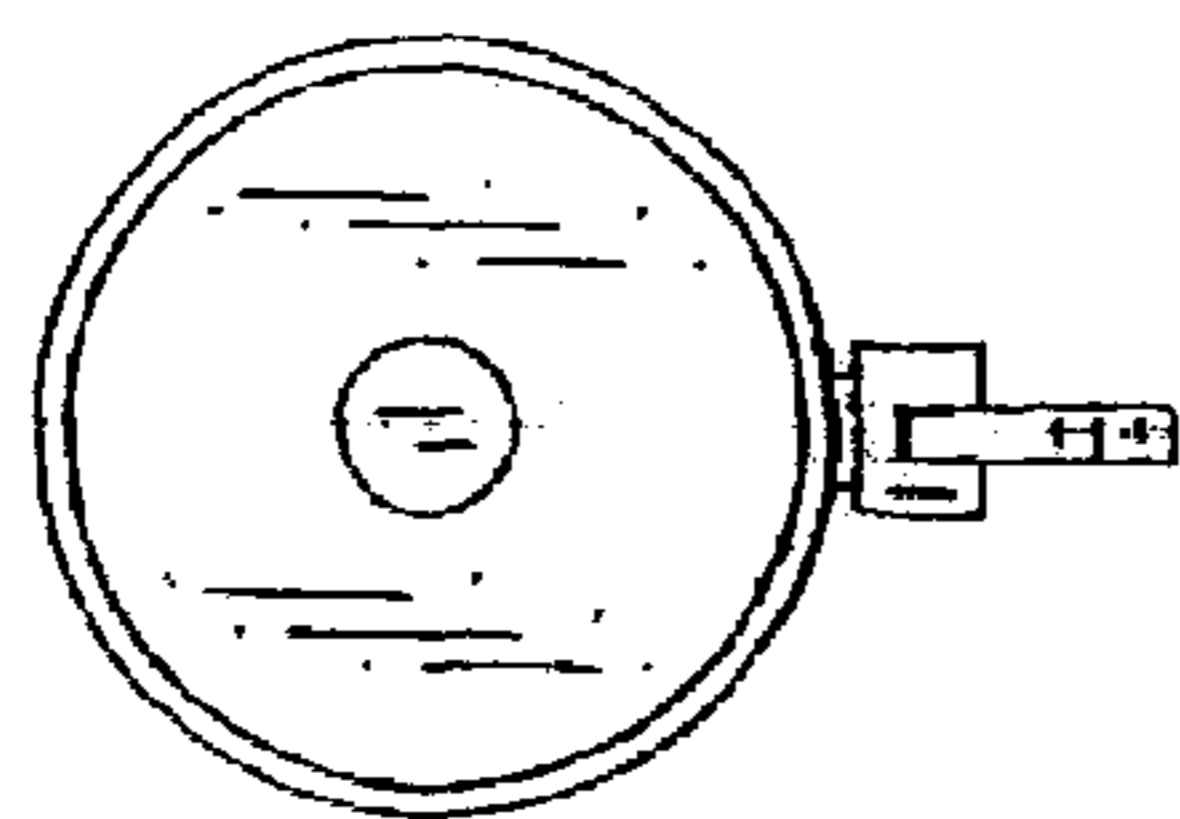
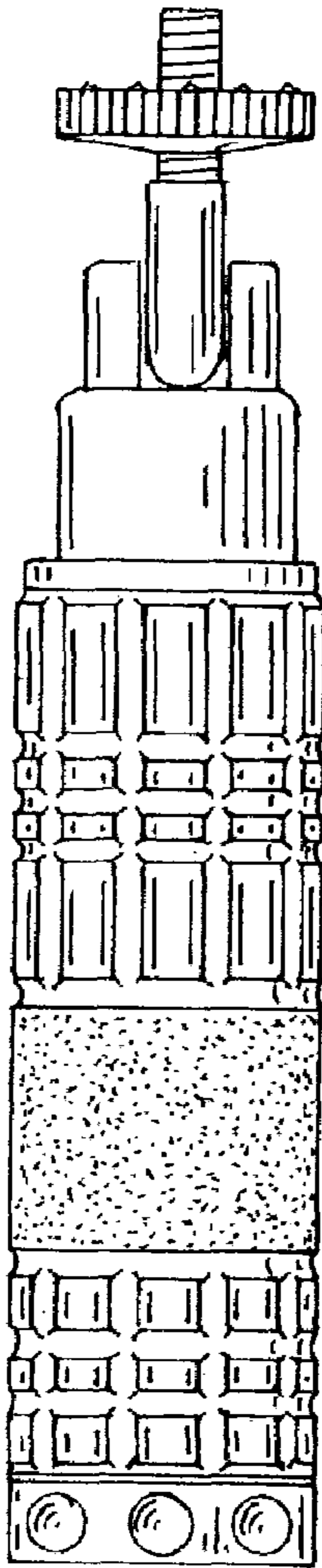


Fig. 6

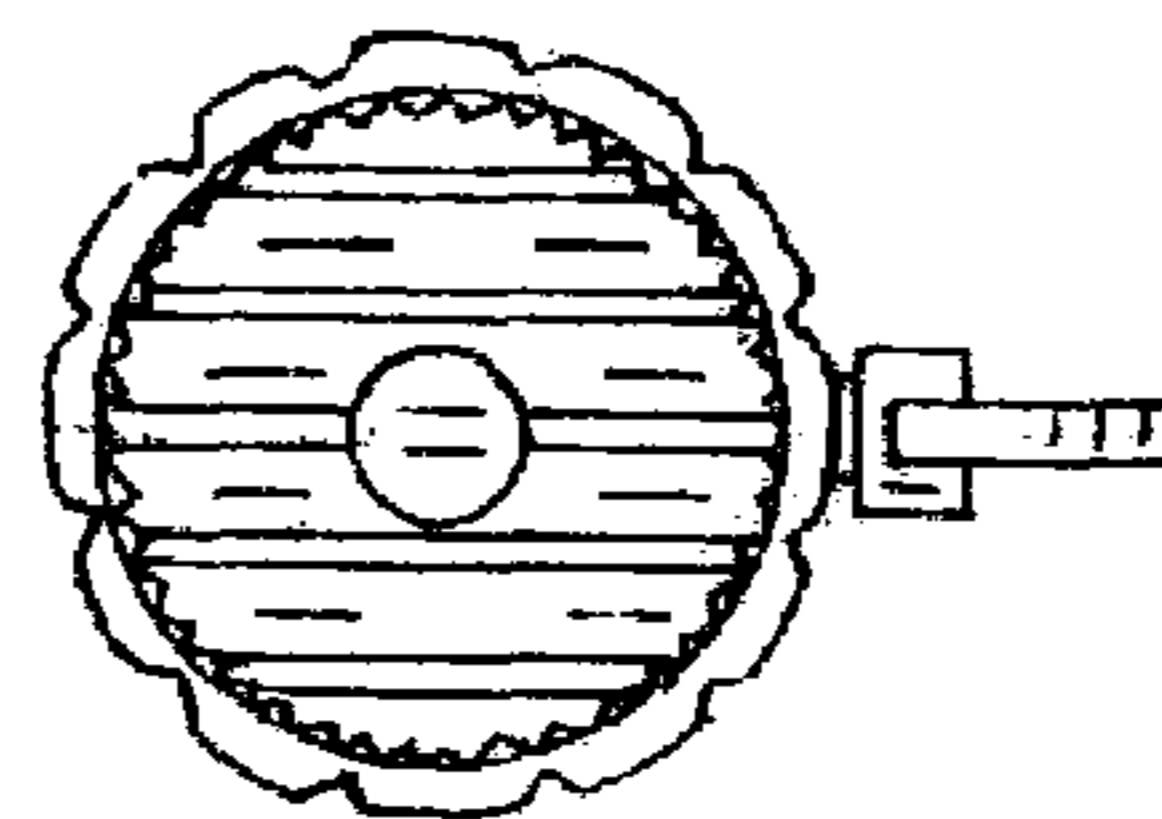


Fig. 7