



US00D580469S

(12) **United States Design Patent**  
**Chung et al.**

(10) **Patent No.:** **US D580,469 S**

(45) **Date of Patent:** **\*\* Nov. 11, 2008**

(54) **CAMCORDER**

(75) Inventors: **Yeon-Moo Chung**, Seoul (KR);  
**Tomohiro Harata**, Seoul (KR)

(73) Assignee: **Samsung Electronics Co., Ltd.**,  
Kyunggi-do (KR)

(\*\*) Term: **14 Years**

(21) Appl. No.: **29/293,975**

(22) Filed: **Dec. 19, 2007**

(51) **LOC (8) Cl.** ..... **16-01**

(52) **U.S. Cl.** ..... **D16/202**

(58) **Field of Classification Search** ..... D16/200–205,  
D16/208, 218; 348/373–376; 358/906; 396/535–541  
See application file for complete search history.

(56) **References Cited**

**U.S. PATENT DOCUMENTS**

D356,806 S	3/1995	Kim	
D365,354 S	12/1995	Sung	
D366,886 S	2/1996	Choi	
D368,729 S	4/1996	Choi	
D372,925 S	8/1996	Choi	
D378,296 S	3/1997	Choi	
D383,767 S	9/1997	Sung et al.	
D386,506 S	11/1997	Choi	
D390,243 S	2/1998	Choi	
6,219,489 B1 *	4/2001	Ohta et al.	358/906
6,633,336 B2 *	10/2003	Toyozumi et al.	348/374
D484,901 S	1/2004	Lim	
D516,600 S *	3/2006	Tsuchiya	D16/202
D520,044 S	5/2006	Chung et al.	
D520,545 S	5/2006	Chung et al.	
D520,546 S	5/2006	Kim	
D521,041 S	5/2006	Chung et al.	
D526,674 S	8/2006	Byun et al.	
D528,142 S	9/2006	Byun et al.	

D528,576 S	9/2006	Chung et al.	
D528,577 S	9/2006	Byun et al.	
D533,206 S	12/2006	Kim	
D546,857 S *	7/2007	Nishiwaki et al.	D16/202
D549,260 S *	8/2007	Kojima et al.	D16/202
D552,142 S	10/2007	Chung	
D552,648 S	10/2007	Chung	
D554,676 S	11/2007	Kim	
D554,678 S	11/2007	Kim	
D556,801 S	12/2007	Kim	
D557,721 S *	12/2007	Miyashita et al.	D16/202
D558,247 S	12/2007	Kim	
D559,290 S	1/2008	Chung	
D560,241 S	1/2008	Chung	
D560,242 S	1/2008	Chung	
D560,243 S	1/2008	Kim	

\* cited by examiner

*Primary Examiner*—Adir Aronovich

(74) *Attorney, Agent, or Firm*—Flynn, Thiel, Boutell & Tanis,  
P.C.

(57) **CLAIM**

The ornamental design for a camcorder, as shown and described.

**DESCRIPTION**

FIG. 1 is a top front perspective view of a camcorder showing our new design;

FIG. 2 is a front elevational view thereof;

FIG. 3 is a rear elevational view thereof;

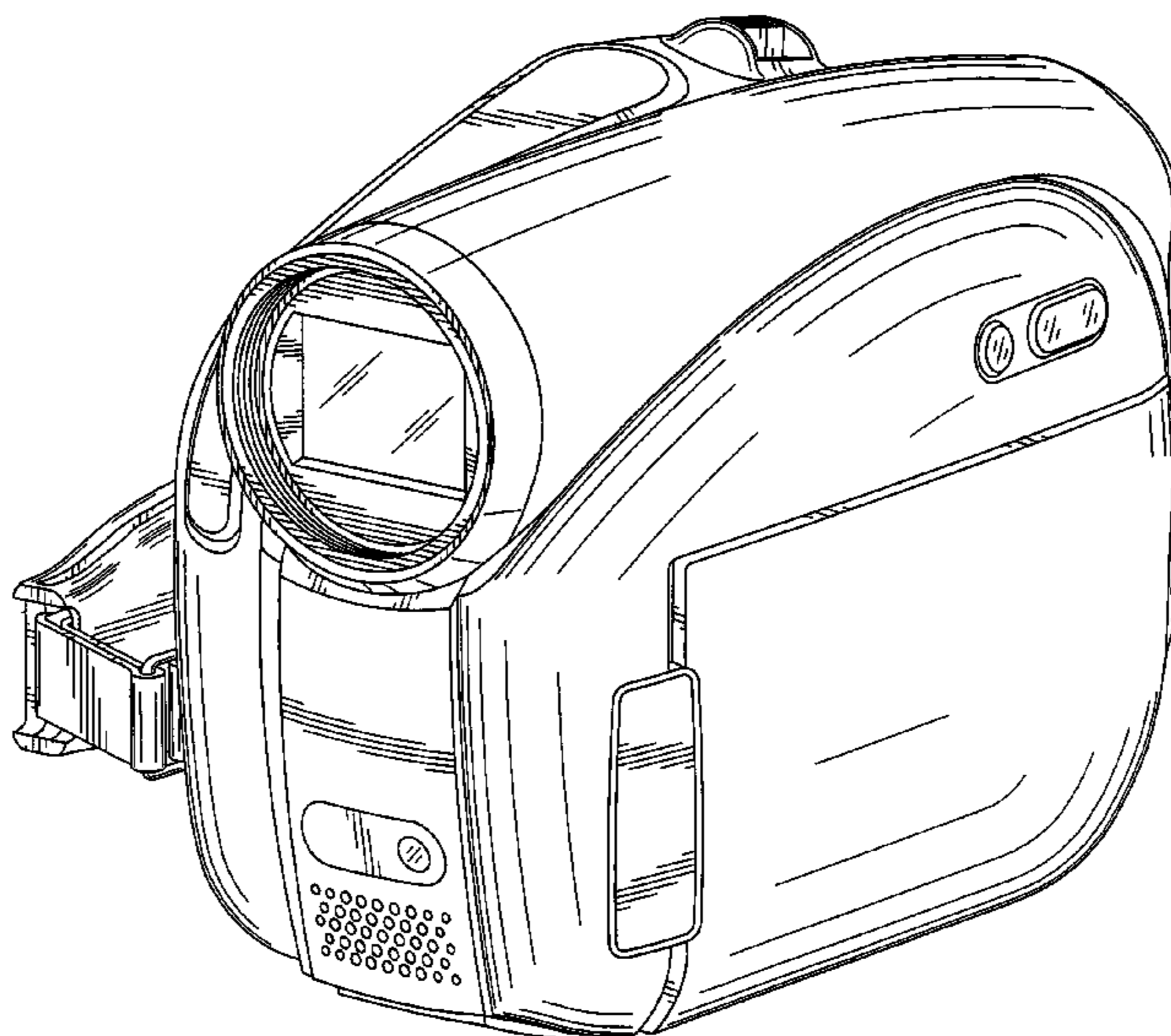
FIG. 4 is a left side elevational view thereof;

FIG. 5 is a right side elevational view thereof;

FIG. 6 is a top plan view thereof; and,

FIG. 7 is a bottom plan view thereof.

**1 Claim, 7 Drawing Sheets**



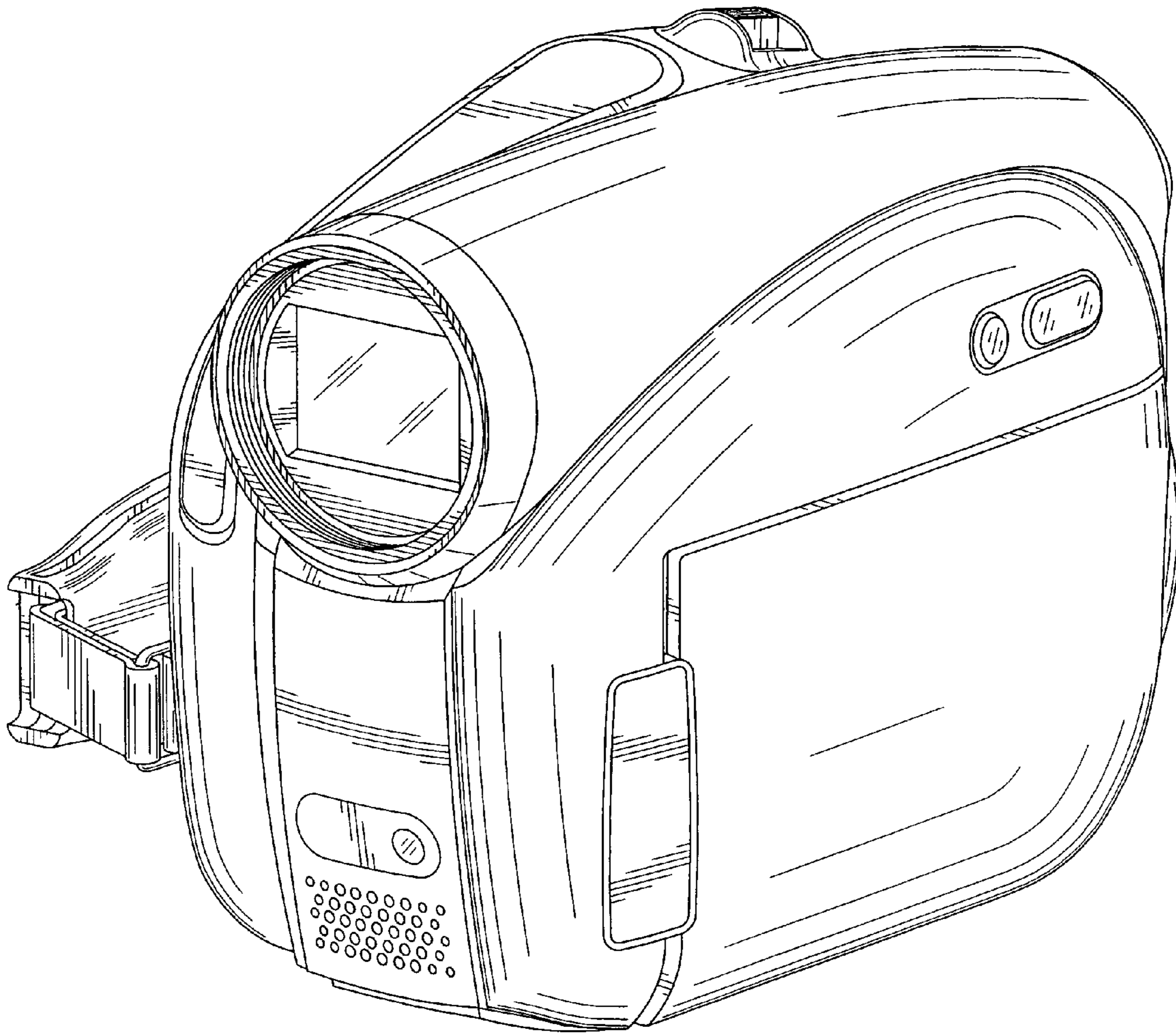


FIG. 1

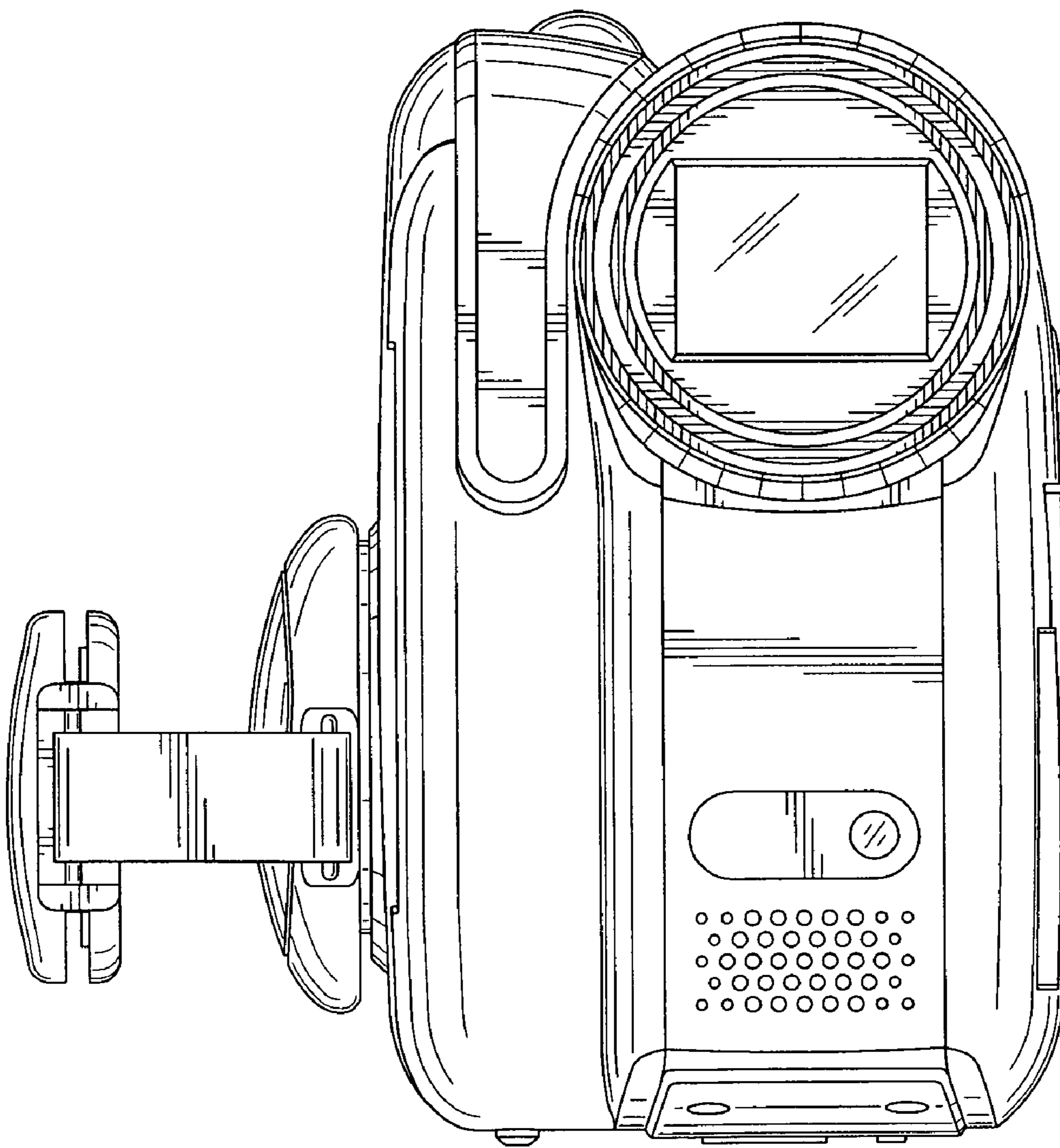


FIG. 2

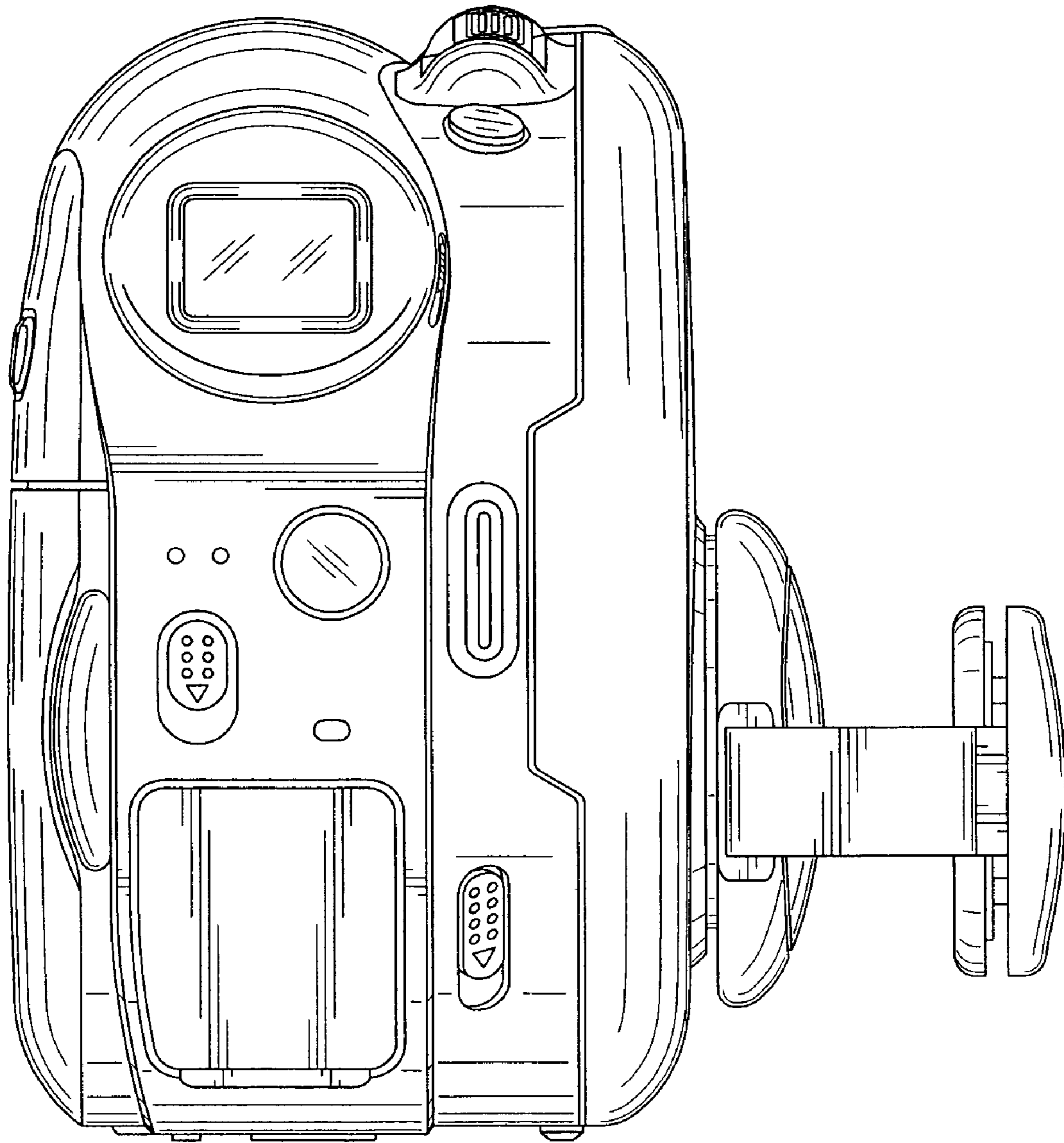


FIG.3

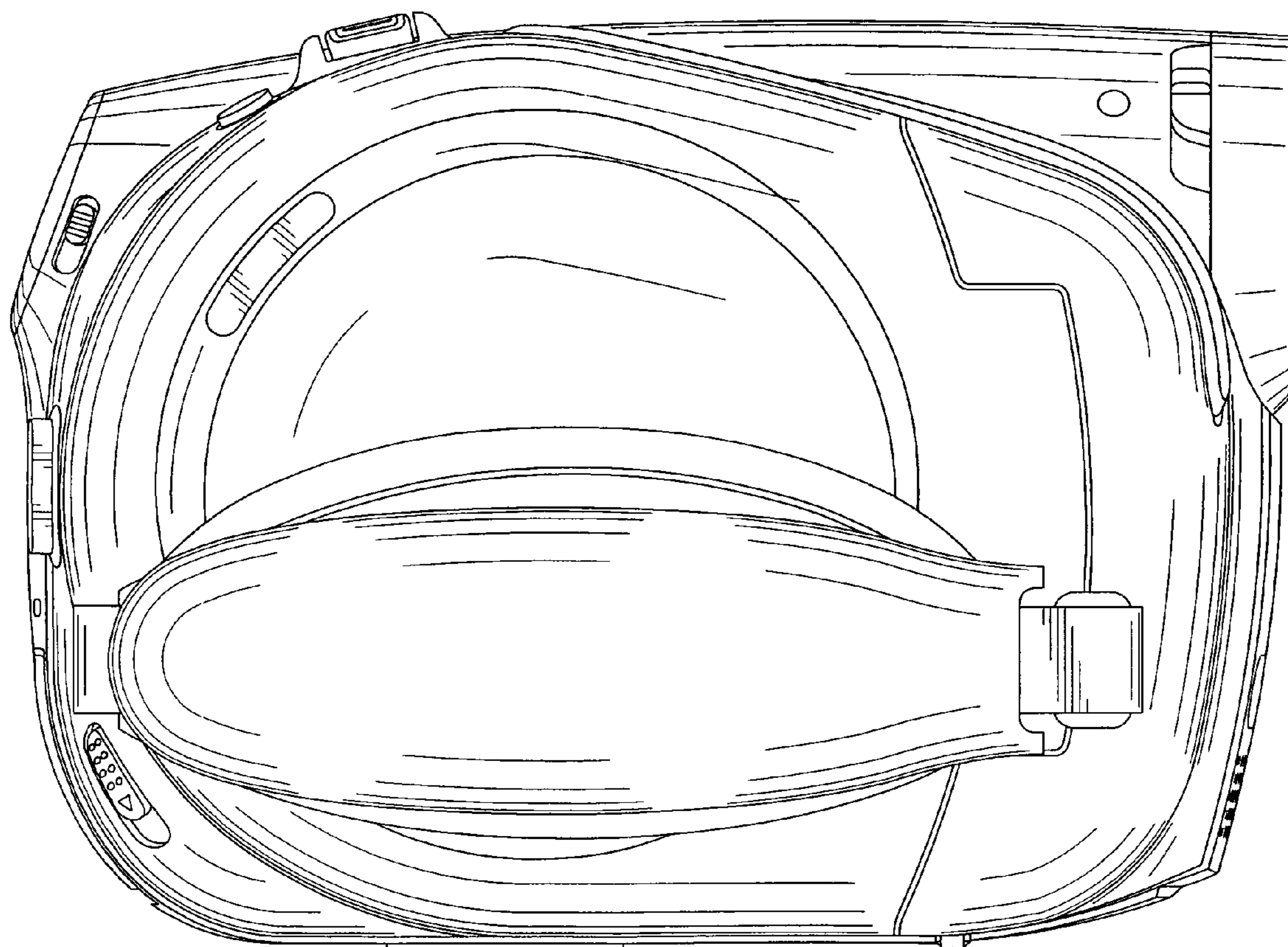


FIG. 4

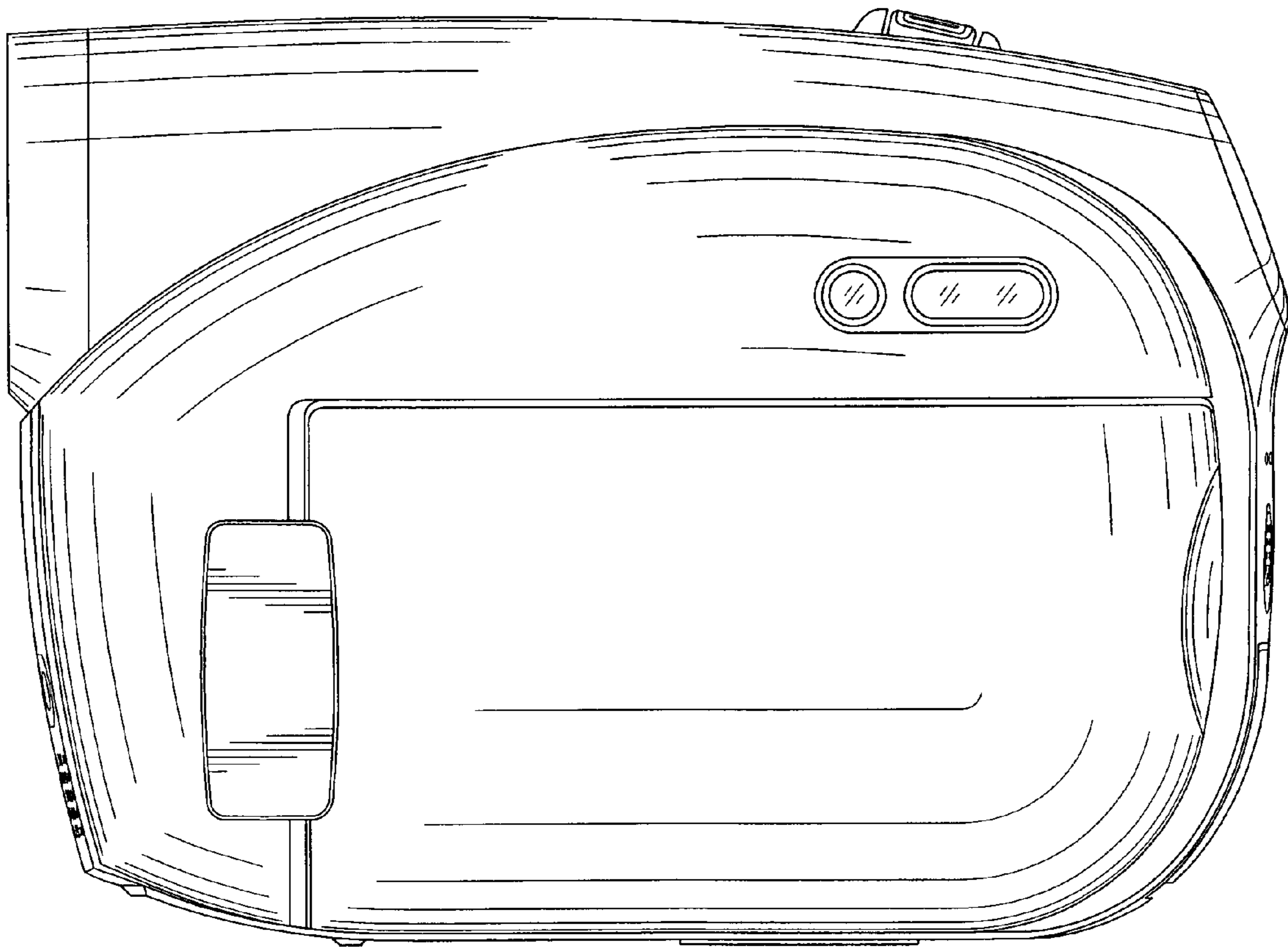


FIG. 5

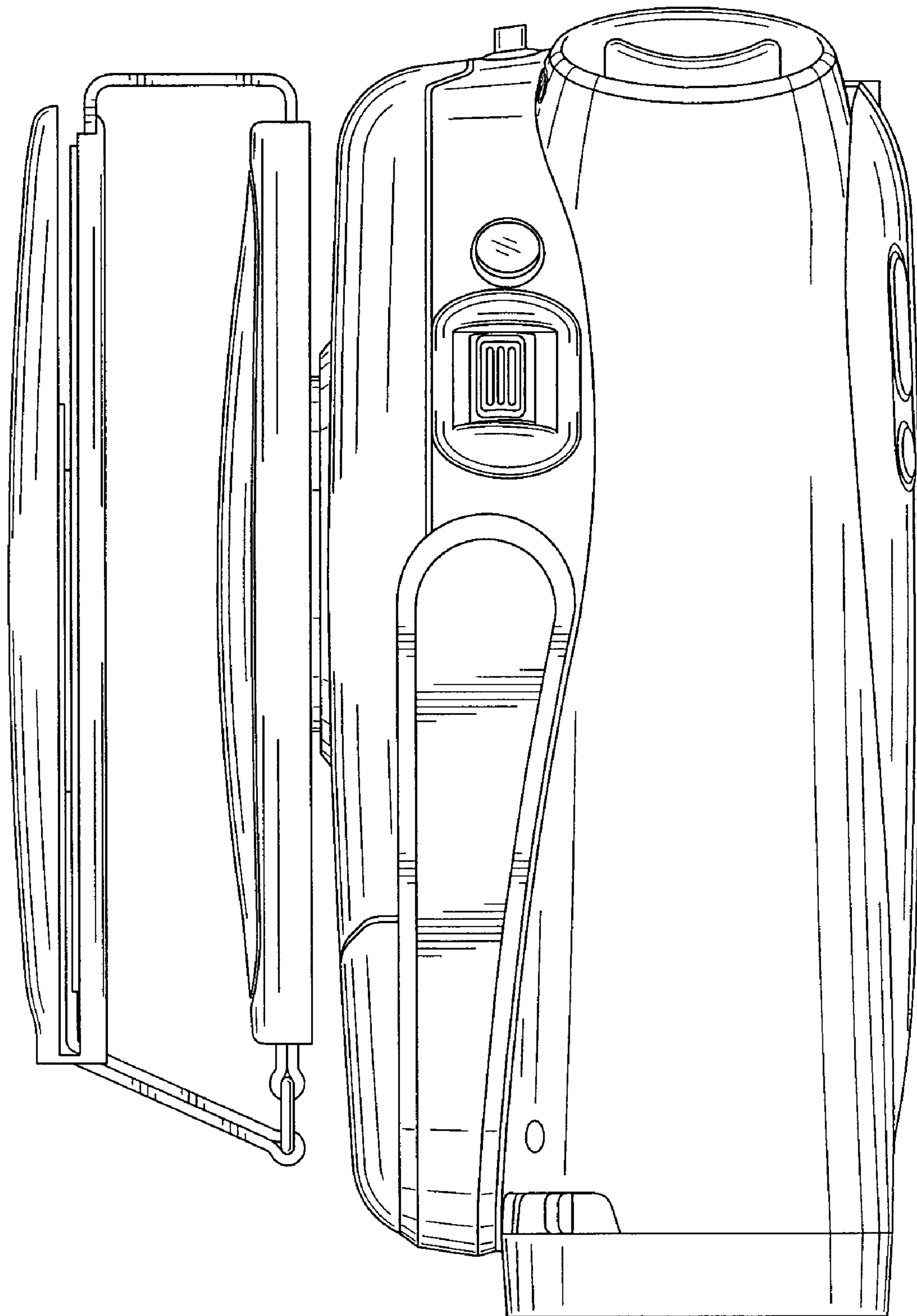


FIG.6

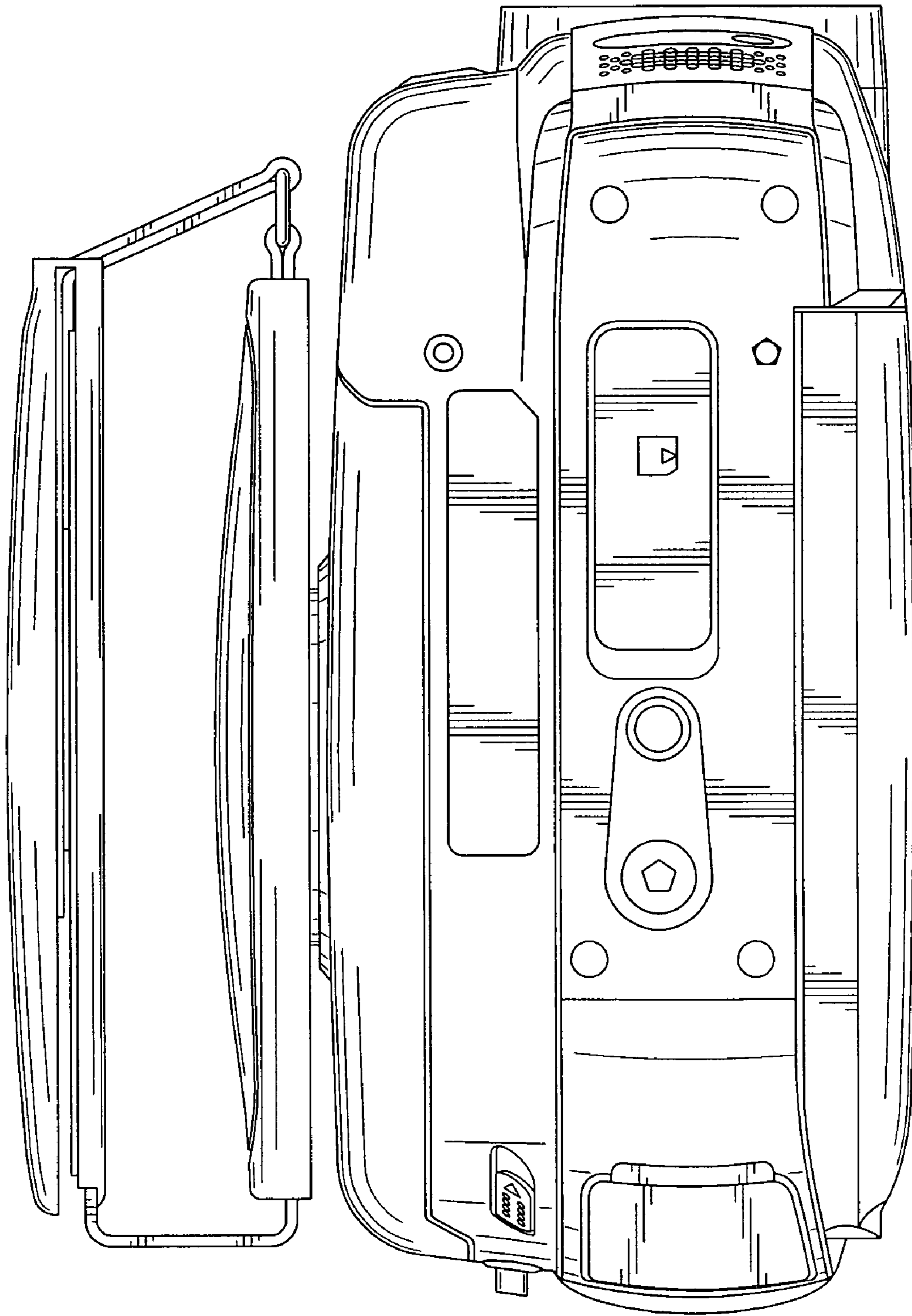


FIG. 7