



US00D580467S

(12) **United States Design Patent**  
**Shimobayashi**

(10) **Patent No.:** **US D580,467 S**

(45) **Date of Patent:** **\*\* Nov. 11, 2008**

(54) **DIGITAL CAMERA**

D535,314 S \* 1/2007 Chang ..... D16/202  
D548,254 S \* 8/2007 Tainaka ..... D16/202

(75) Inventor: **Koji Shimobayashi**, Hachioji (JP)

**OTHER PUBLICATIONS**

(73) Assignee: **Olympus Imaging Corp.**, Tokyo (JP)

Website showing "Optio T10" Digital Camera from [http://www.pentax.co.jp/japan/catalog/pdf/digital\\_comp\\_200604.pdf](http://www.pentax.co.jp/japan/catalog/pdf/digital_comp_200604.pdf) pp. 10-11.

(\*\*) Term: **14 Years**

\* cited by examiner

(21) Appl. No.: **29/271,811**

*Primary Examiner*—Adir Aronovich

(22) Filed: **Jan. 25, 2007**

(74) *Attorney, Agent, or Firm*—John C. Pokotylo; Straub and Pokotylo

(30) **Foreign Application Priority Data**

Dec. 28, 2006 (JP) ..... 2006-036271

(57) **CLAIM**

(51) **LOC (8) Cl.** ..... **16-01**

The ornamental design for a digital camera, as shown and described.

(52) **U.S. Cl.** ..... **D16/202**

(58) **Field of Classification Search** ..... D16/200–204,  
D16/208, 209, 218; 348/373–376; 358/909.1;  
396/535–541

**DESCRIPTION**

See application file for complete search history.

FIG. 1 is a front, top and right side perspective view of a digital camera, showing my new design;

FIG. 2 is a rear, top and left side perspective view thereof;

FIG. 3 is a front elevational view thereof;

FIG. 4 is a rear elevational view thereof;

FIG. 5 is a top plan view thereof;

FIG. 6 is a bottom plan view thereof;

FIG. 7 is a left side elevational view thereof; and,

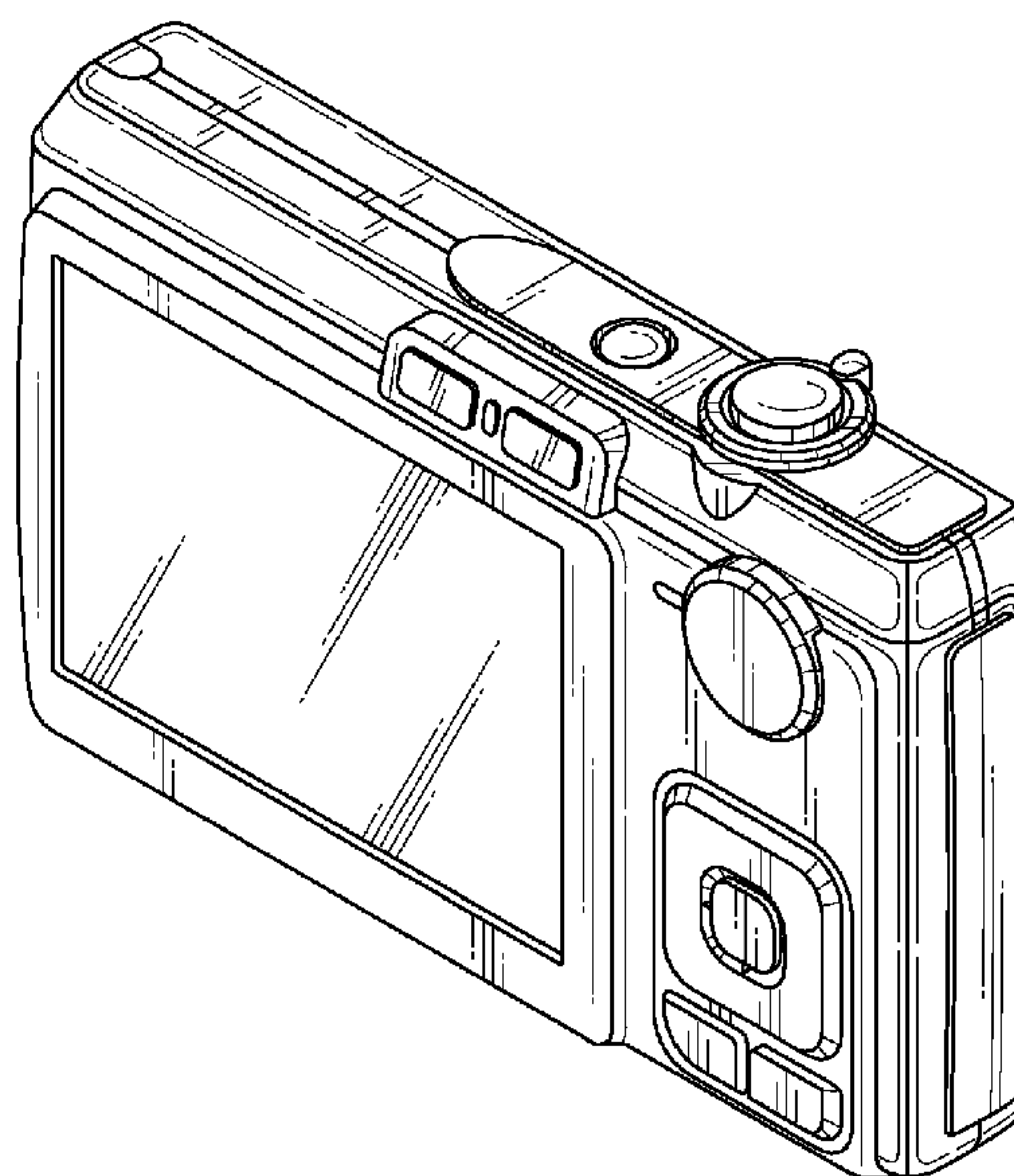
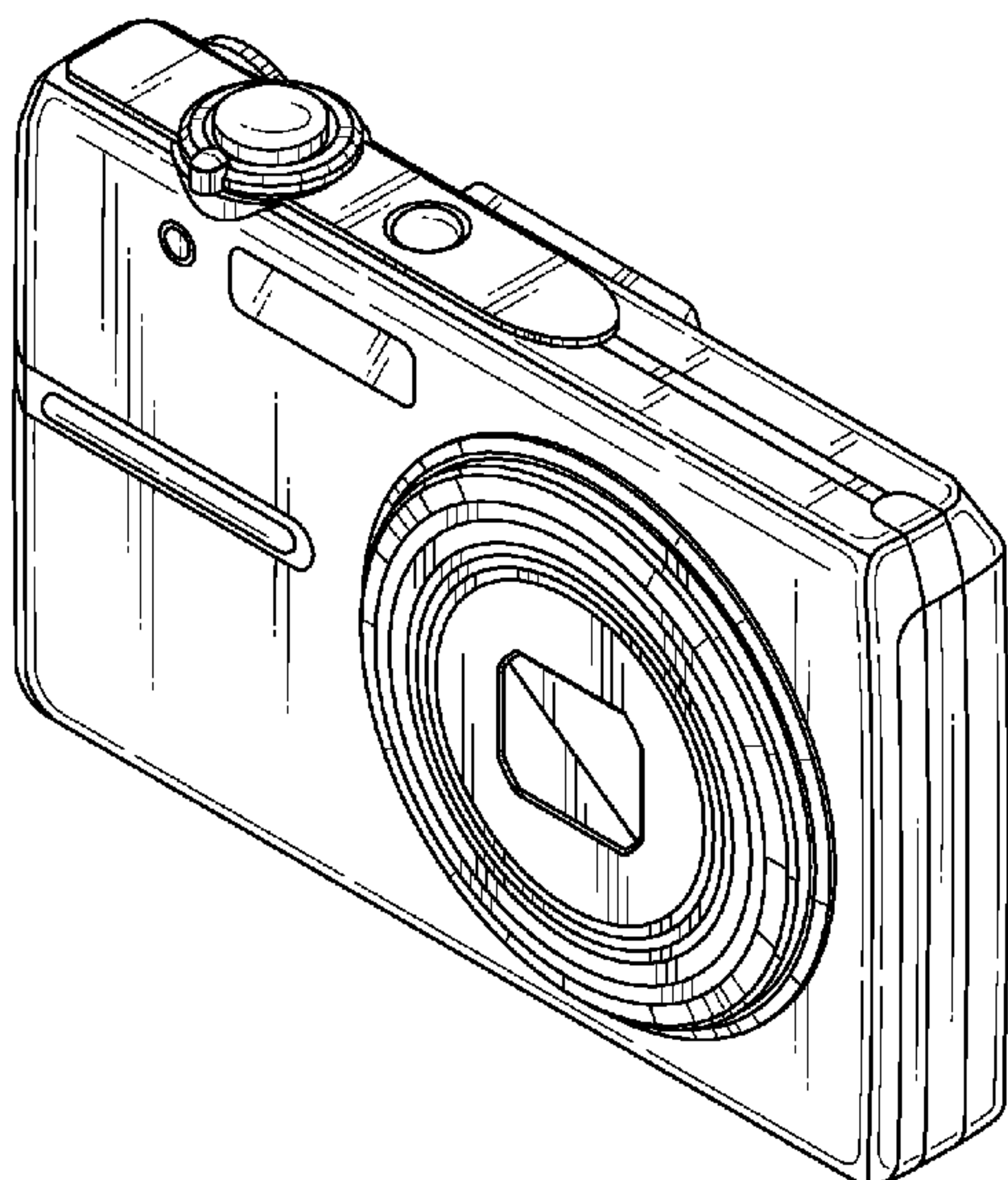
FIG. 8 is a right side elevational view thereof.

(56) **References Cited**

**U.S. PATENT DOCUMENTS**

6,434,337 B1 \* 8/2002 Misawa ..... 358/909.1  
D479,547 S \* 9/2003 Nagayama ..... D16/202  
D516,599 S \* 3/2006 Nakamura ..... D16/218  
D524,341 S \* 7/2006 Nagayama et al. .... D16/202  
D531,652 S \* 11/2006 Ogino et al. .... D16/202  
D533,574 S \* 12/2006 Hamamura ..... D16/202  
D534,564 S \* 1/2007 Tainaka ..... D16/202

**1 Claim, 3 Drawing Sheets**



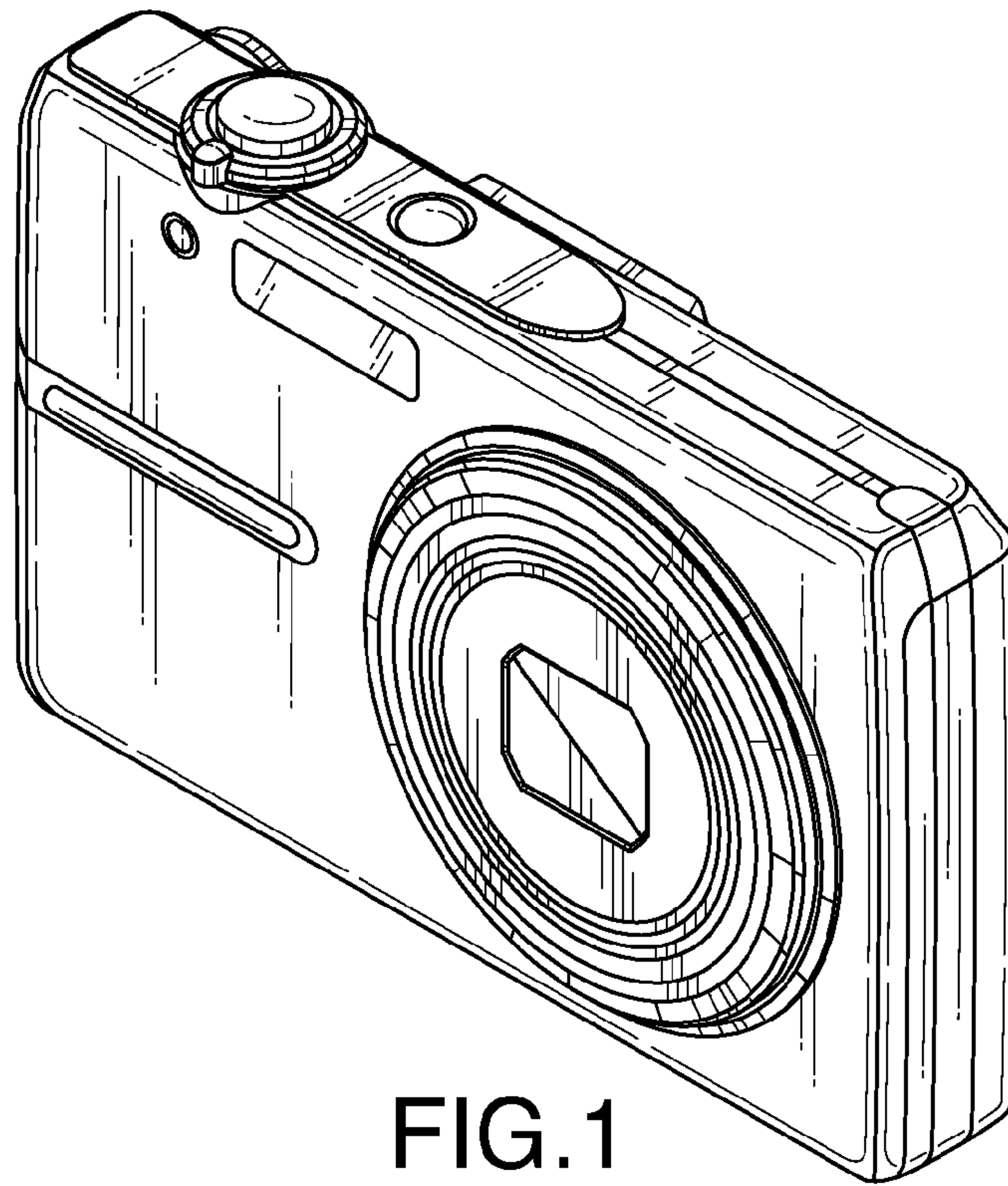


FIG. 1

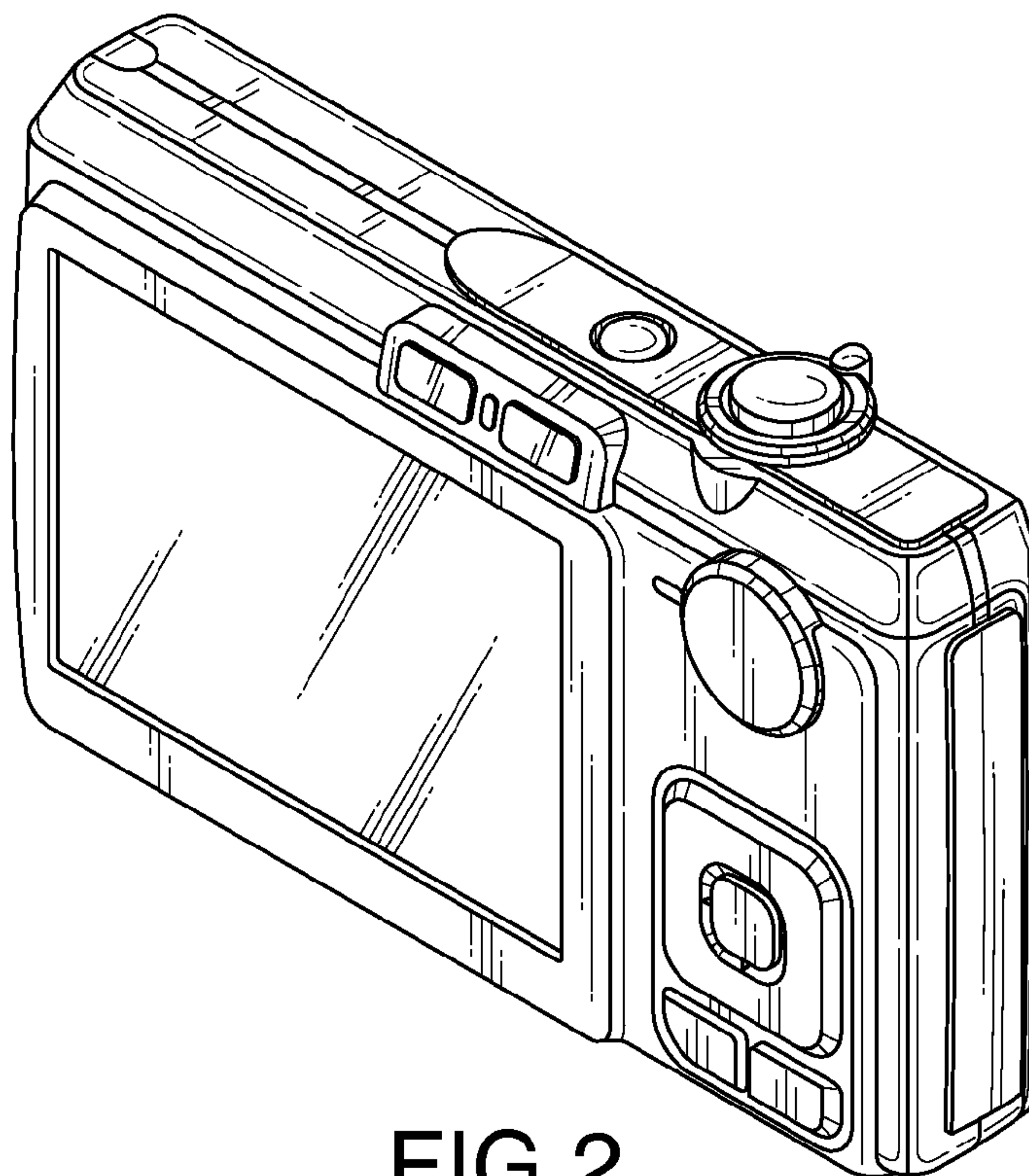


FIG. 2

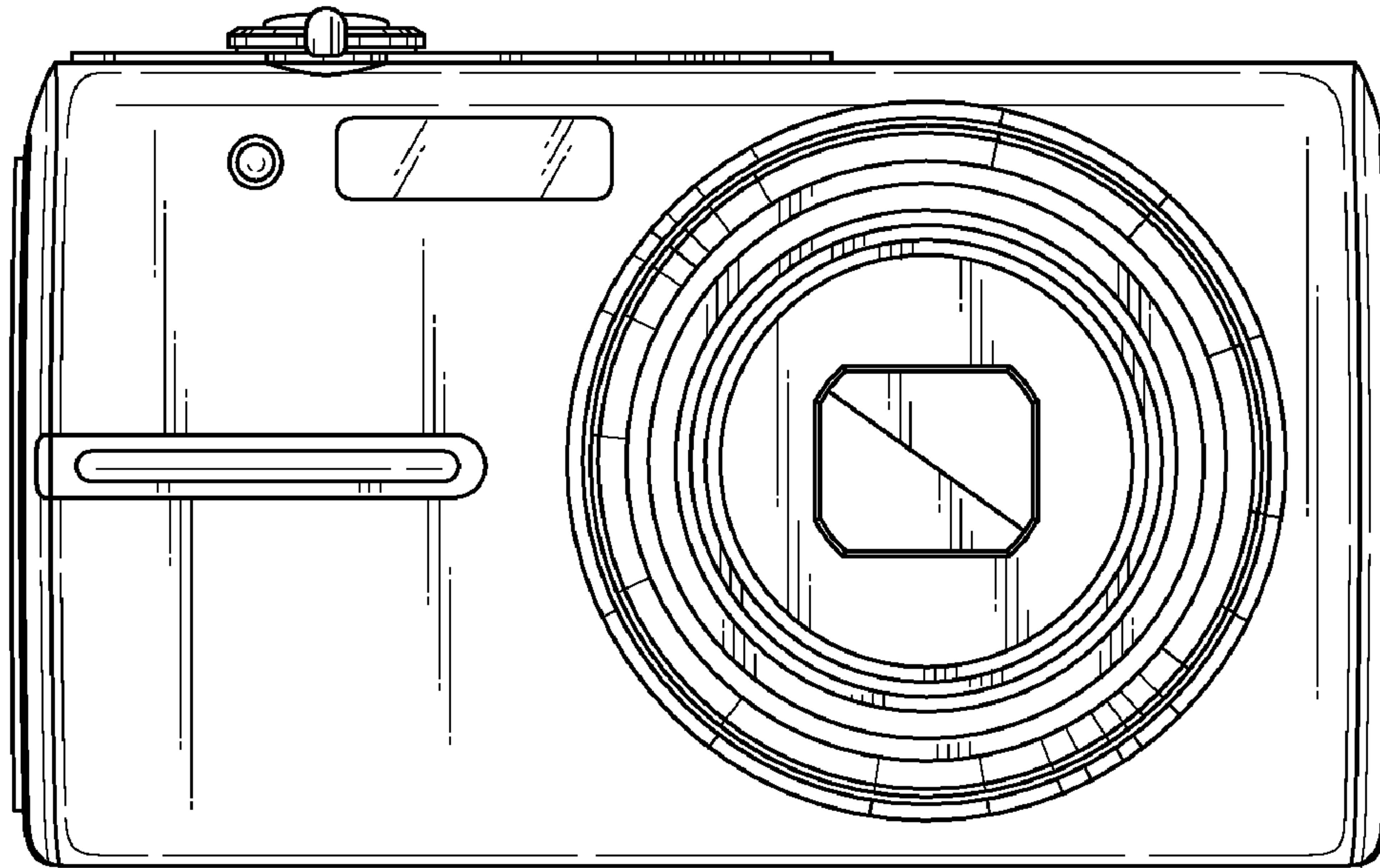


FIG.3

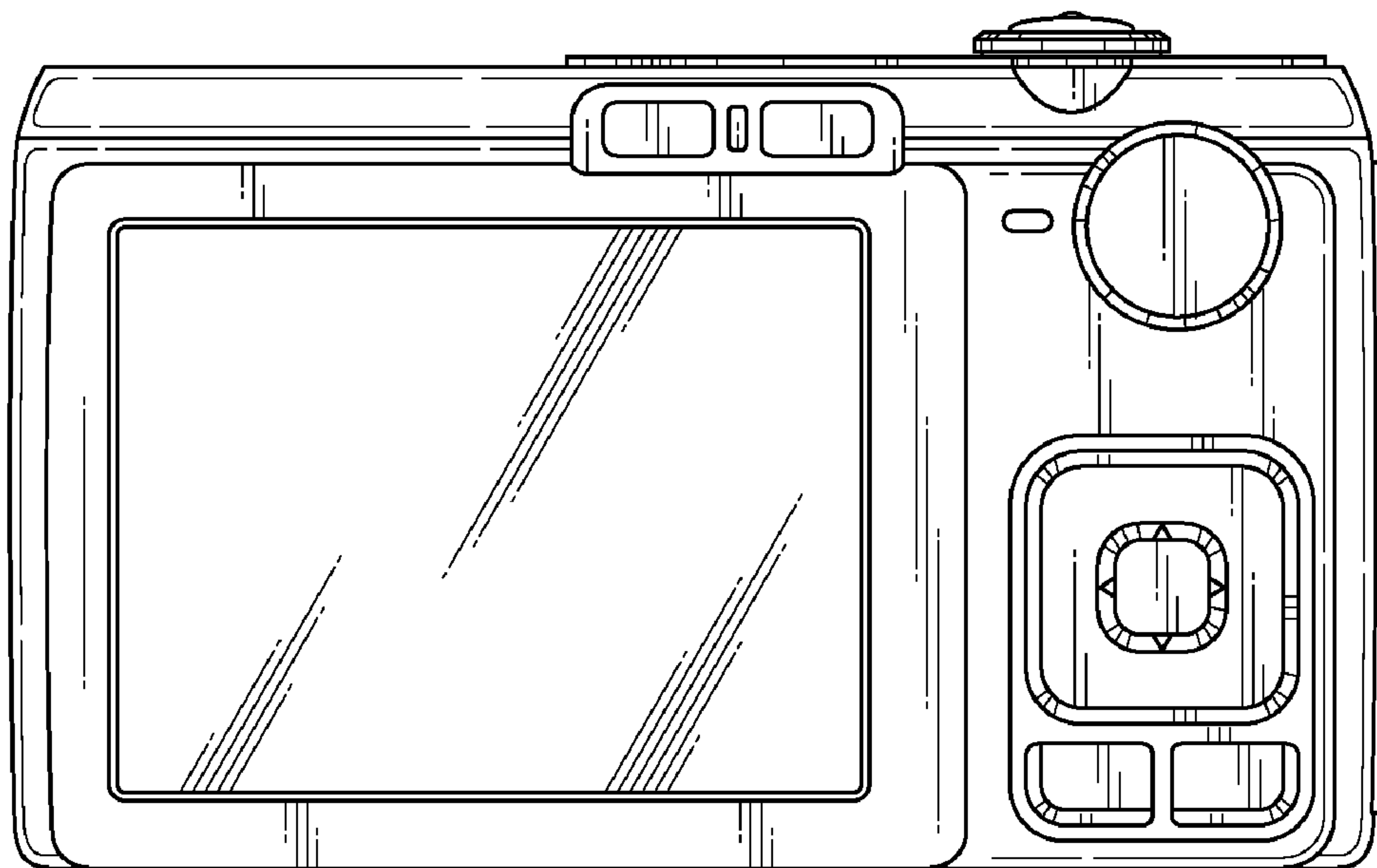


FIG.4



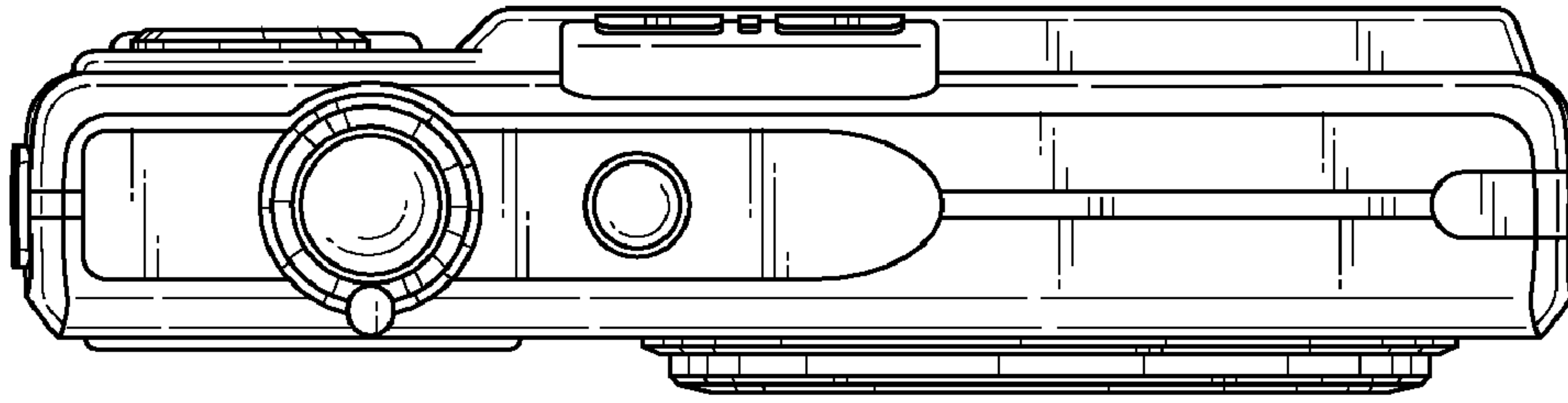


FIG. 5

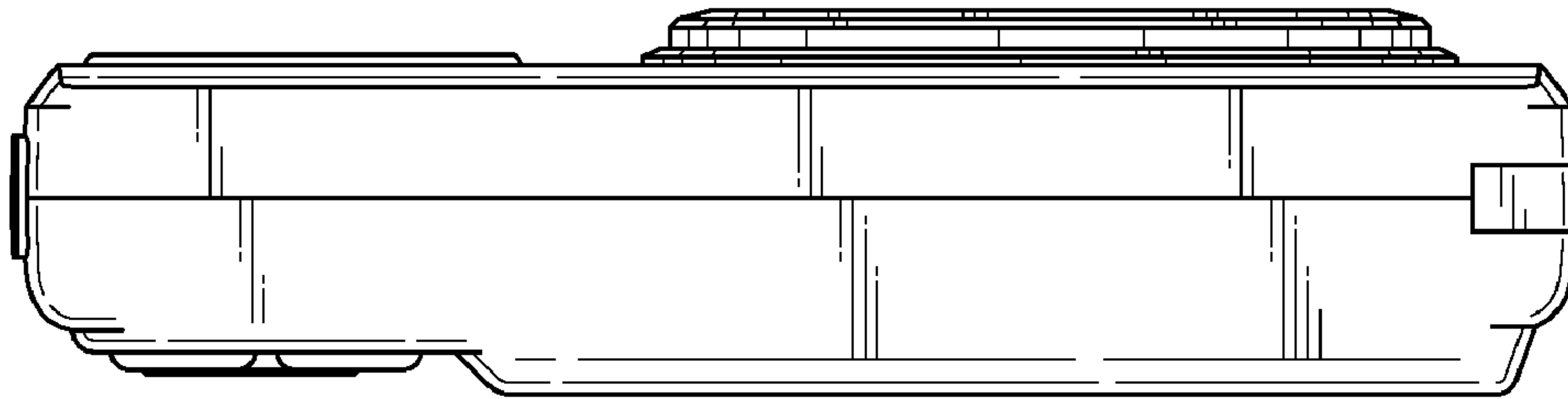


FIG. 6

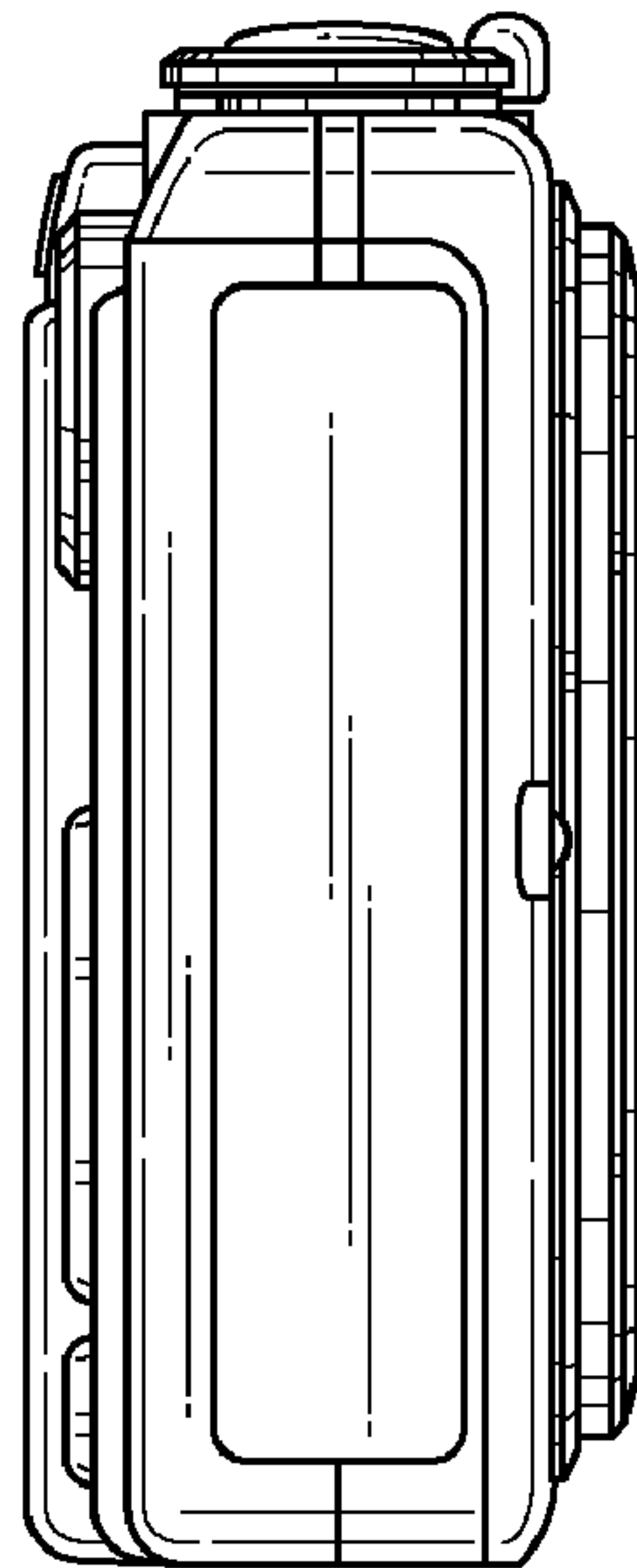


FIG. 7

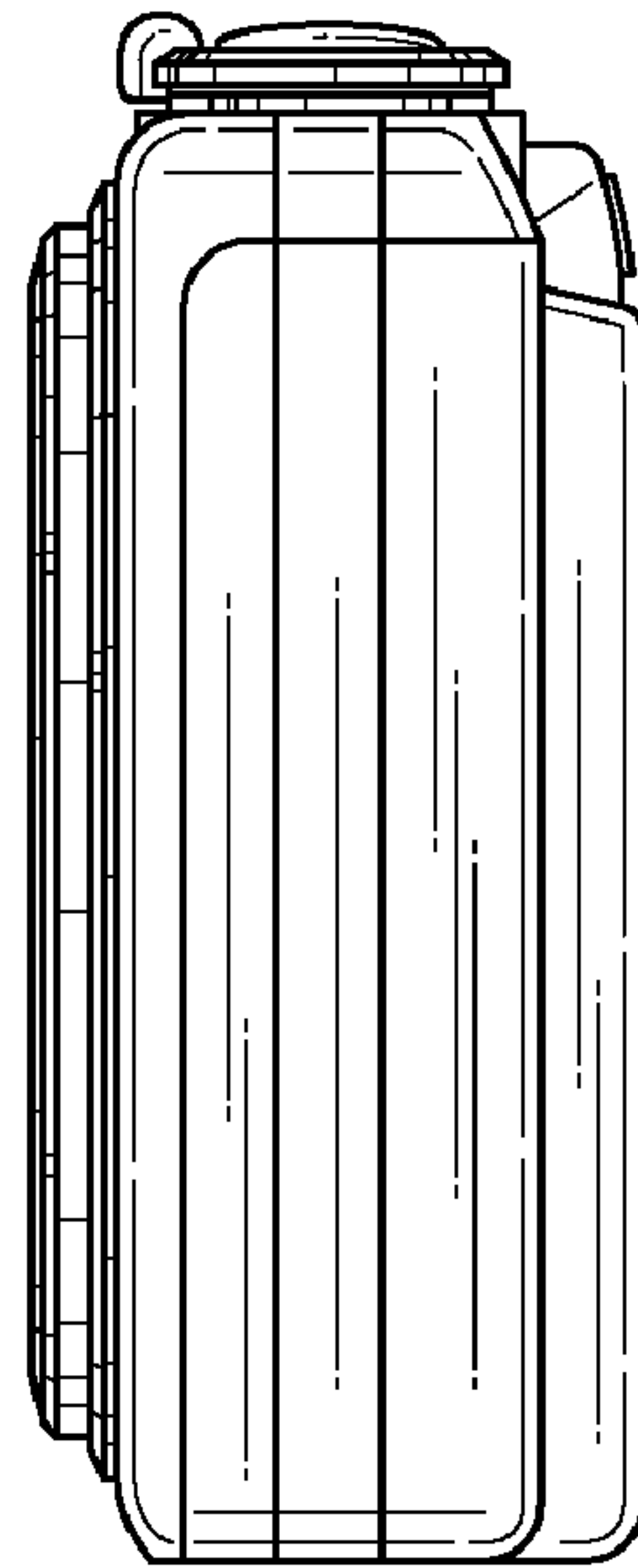


FIG. 8