



US00D580466S

(12) **United States Design Patent**
Pola

(10) **Patent No.:** **US D580,466 S**

(45) **Date of Patent:** **** Nov. 11, 2008**

(54) **MAGNIFIER**

(75) **Inventor:** **Richard M. Pola**, Manhattan Beach, CA (US)

(73) **Assignee:** **Richard Pola & Associates, Inc.**, Hermosa Beach, CA (US)

(**) **Term:** **14 Years**

(21) **Appl. No.:** **29/299,475**

(22) **Filed:** **Dec. 27, 2007**

(51) **LOC (8) Cl.** **16-06**

(52) **U.S. Cl.** **D16/135**

(58) **Field of Classification Search** D16/130, D16/135; 359/801, 802, 803, 804, 805, 806, 359/807, 808, 809, 810, 811; D6/308, 309, D6/300; D19/75, 97; D21/390; D12/500; D28/91; 40/67, 358, 348, 315, 443, 661, 40/743, 736, 800; 264/132; 434/84; 428/13, 428/67

See application file for complete search history.

(56) **References Cited**

U.S. PATENT DOCUMENTS

133,912	A *	12/1872	Wilson	40/358
396,519	A *	1/1889	Swift	40/358
470,222	A *	3/1892	Townsend	40/358
736,751	A *	8/1903	Lobmiller	40/358
1,881,417	A *	10/1932	Hodgkin	40/443
2,214,030	A *	9/1940	Pereles	40/315
D132,980	S *	7/1942	Robbins	D19/97
D134,044	S *	10/1942	Vaughn	D28/91
2,451,913	A *	10/1948	Brice	428/67
2,465,083	A *	3/1949	Gradisar	403/348
D169,400	S *	4/1953	Wales	D21/390

2,833,685	A *	5/1958	Lawrence	264/132
2,917,856	A *	12/1959	Soloff	428/13
D196,269	S	9/1963	Mehr	
D215,245	S	9/1969	Schwab	

(Continued)

OTHER PUBLICATIONS

Printout from http://www.ehobbytools.com/en-us/dept_68.html on Mar. 22, 2007; 10 pages.

(Continued)

Primary Examiner—Paula Greene

(74) *Attorney, Agent, or Firm*—Law Office of David Hong

(57) **CLAIM**

The ornamental design for a magnifier, as shown and described.

DESCRIPTION

FIG. 1 is a perspective view of an embodiment of my new design for a magnifier.

FIG. 2 is a top view of an embodiment of my new design for a magnifier.

FIG. 3 is a front elevation view of an embodiment of my new design for a magnifier; note that the rear elevation view is the same as the front view.

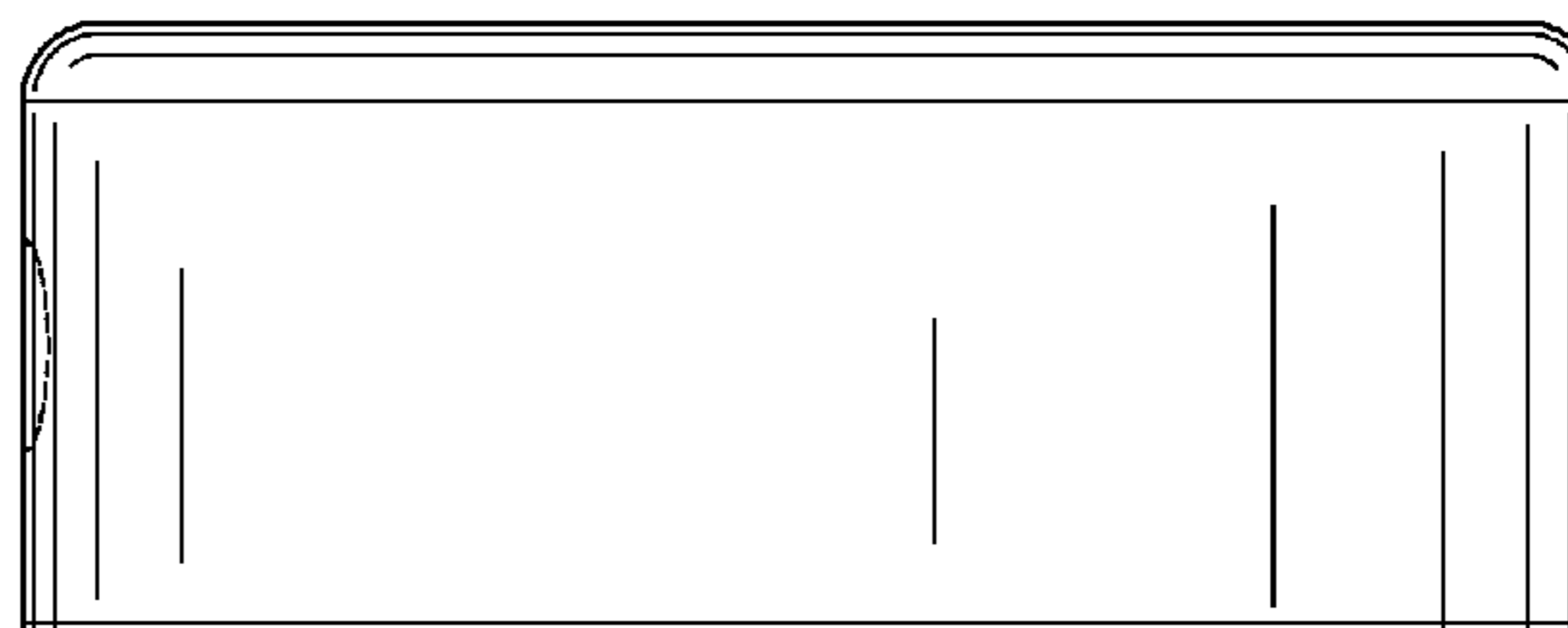
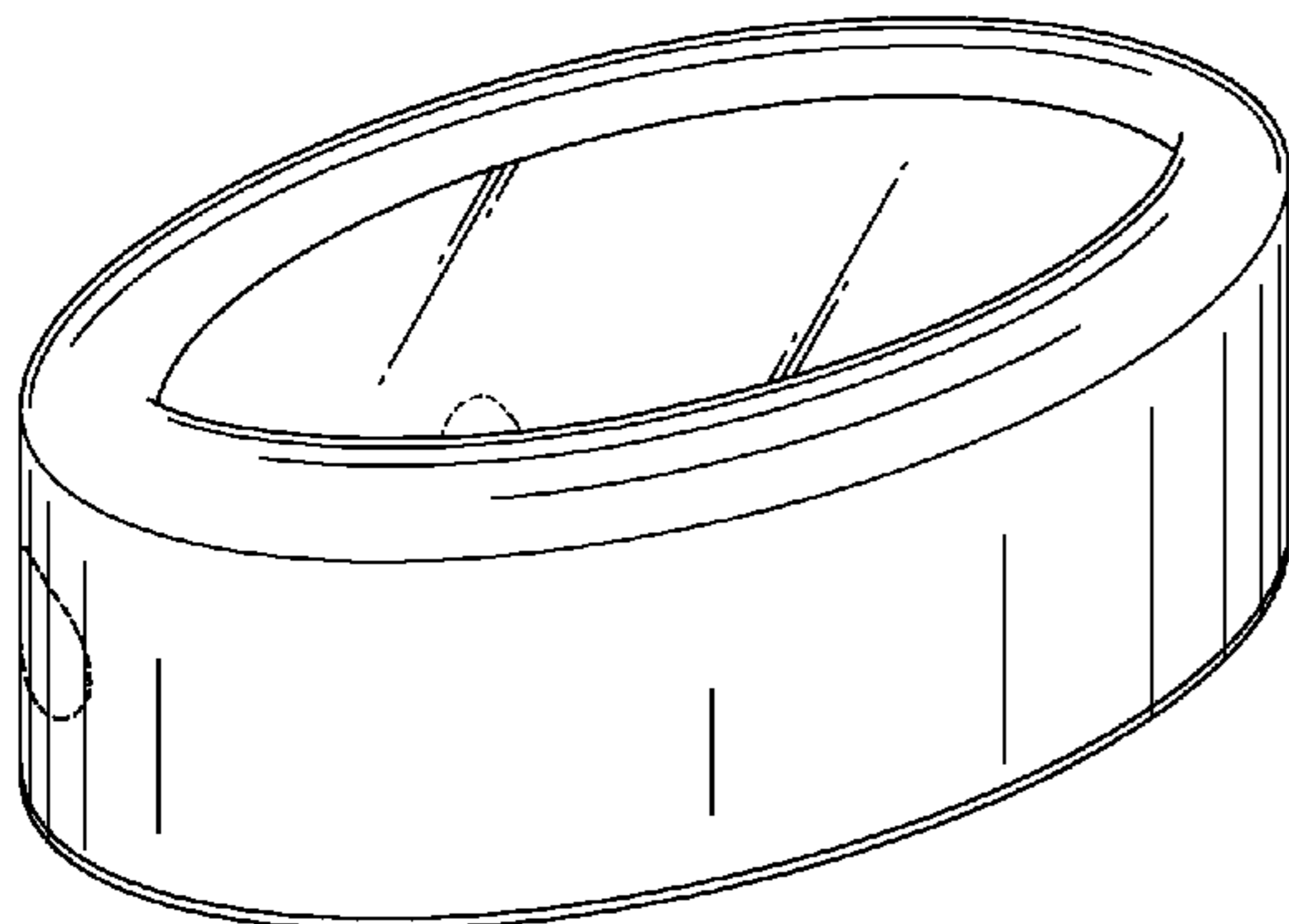
FIG. 4 is a first side elevation view of an embodiment of my new design for a magnifier.

FIG. 5 is a second side elevation view of an embodiment of my new design for a magnifier; and,

FIG. 6 is a bottom view of one embodiment of this magnifier.

The broken lines form no part of the claimed design.

1 Claim, 2 Drawing Sheets



U.S. PATENT DOCUMENTS

3,701,207 A * 10/1972 Conrad 434/84
 3,715,823 A * 2/1973 Brossard 40/743
 3,829,998 A * 8/1974 Flax 40/800
 3,886,677 A * 6/1975 Behring et al. 40/736
 D243,394 S 2/1977 Nerad
 4,014,122 A * 3/1977 Woods 40/358
 4,165,573 A * 8/1979 Richards 40/661
 D252,973 S 9/1979 Bateman
 4,307,527 A * 12/1981 Suzuki 40/661
 D264,598 S 5/1982 Matthews
 D269,184 S 5/1983 Tweedie
 D282,380 S * 1/1986 King D19/75
 D285,699 S * 9/1986 Leopoldi D16/135
 D291,448 S 8/1987 Tai-Kam
 D296,792 S 7/1988 Lewis
 D302,832 S * 8/1989 King D19/75
 D305,079 S 12/1989 Tsuji
 D307,758 S 5/1990 Tsuji
 D315,568 S 3/1991 Dalbo
 D319,889 S 9/1991 Lu
 D324,273 S 2/1992 Jenkins
 D324,804 S 3/1992 Hoelterscheidt
 D330,320 S 10/1992 Lapsker
 D333,313 S 2/1993 Hornschu
 D343,027 S 1/1994 Coleman

D358,419 S 5/1995 Runyan
 D380,483 S 7/1997 Lee
 D399,515 S 10/1998 Kung
 D416,927 S 11/1999 Jim
 D426,246 S 6/2000 Hennessy
 D426,860 S 6/2000 Ho
 D428,032 S 7/2000 Lee
 D429,762 S 8/2000 Mershon
 D440,243 S 4/2001 Jacquet
 D452,871 S 1/2002 Nappa
 D459,377 S 6/2002 Glick
 D463,494 S 9/2002 Mori
 D470,161 S 2/2003 Lee
 D475,069 S 5/2003 Lin
 D481,988 S * 11/2003 Wachendorf D12/500
 D489,384 S 5/2004 Chan
 D530,523 S * 10/2006 Pitot et al. D6/308
 D530,525 S * 10/2006 Greene, II D6/309

OTHER PUBLICATIONS

Printout from www.dogpile.com for informal search for "oval magnifying glass" on Mar. 22, 2007; 2 pages.

Printout from <http://froogle.google.com> for "oval magnifying glass" on Mar. 22, 2007; 2 pages.

* cited by examiner

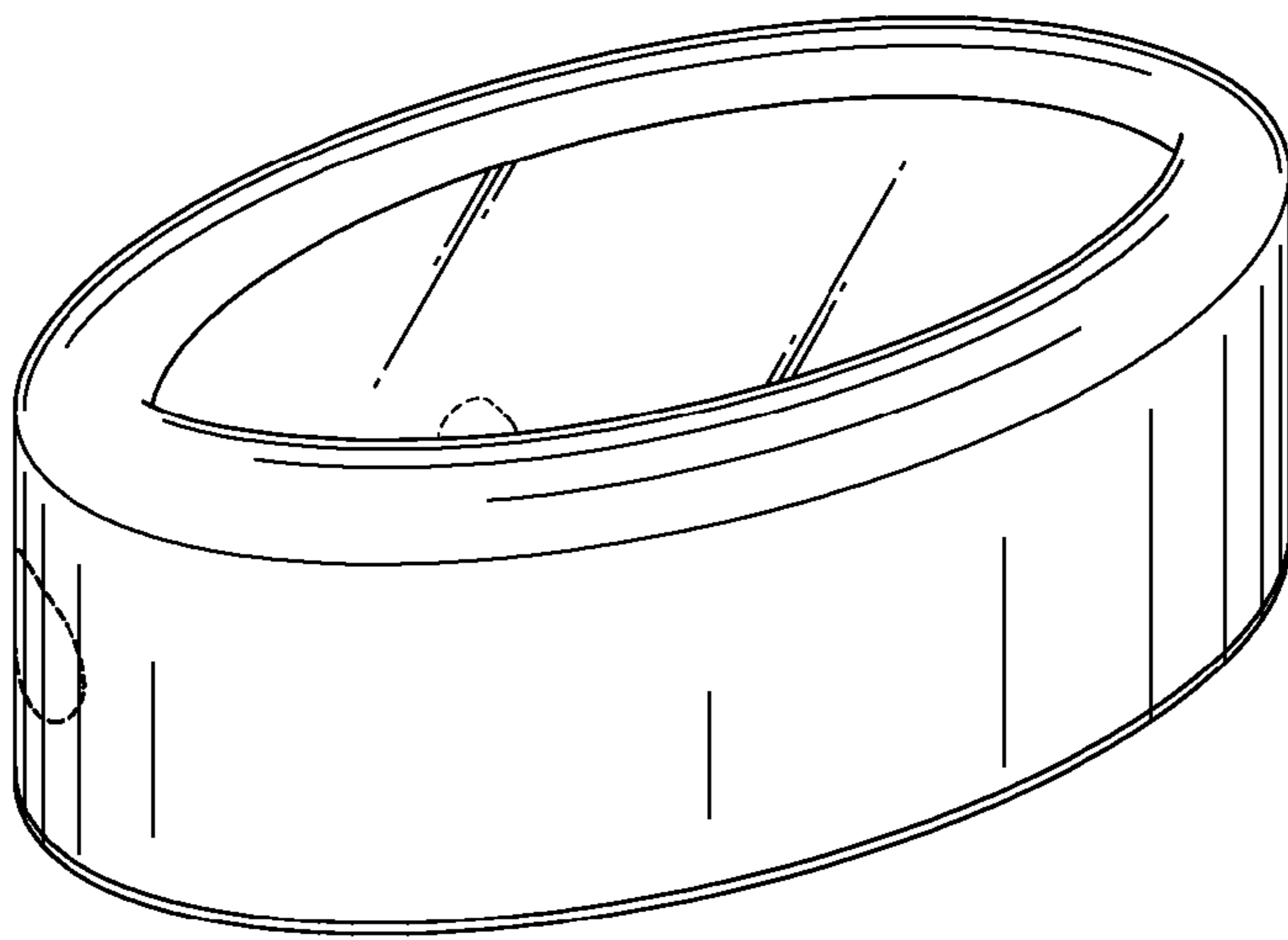


FIG. 1

FIG. 2

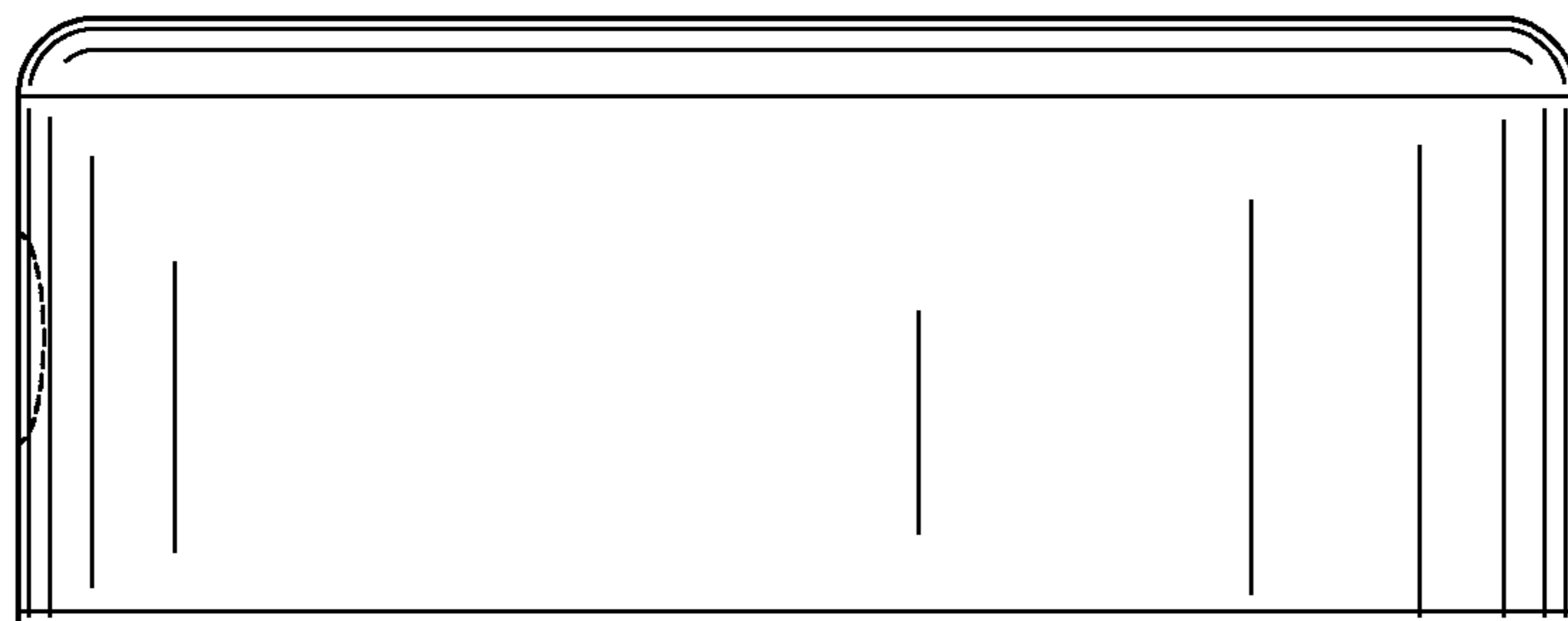
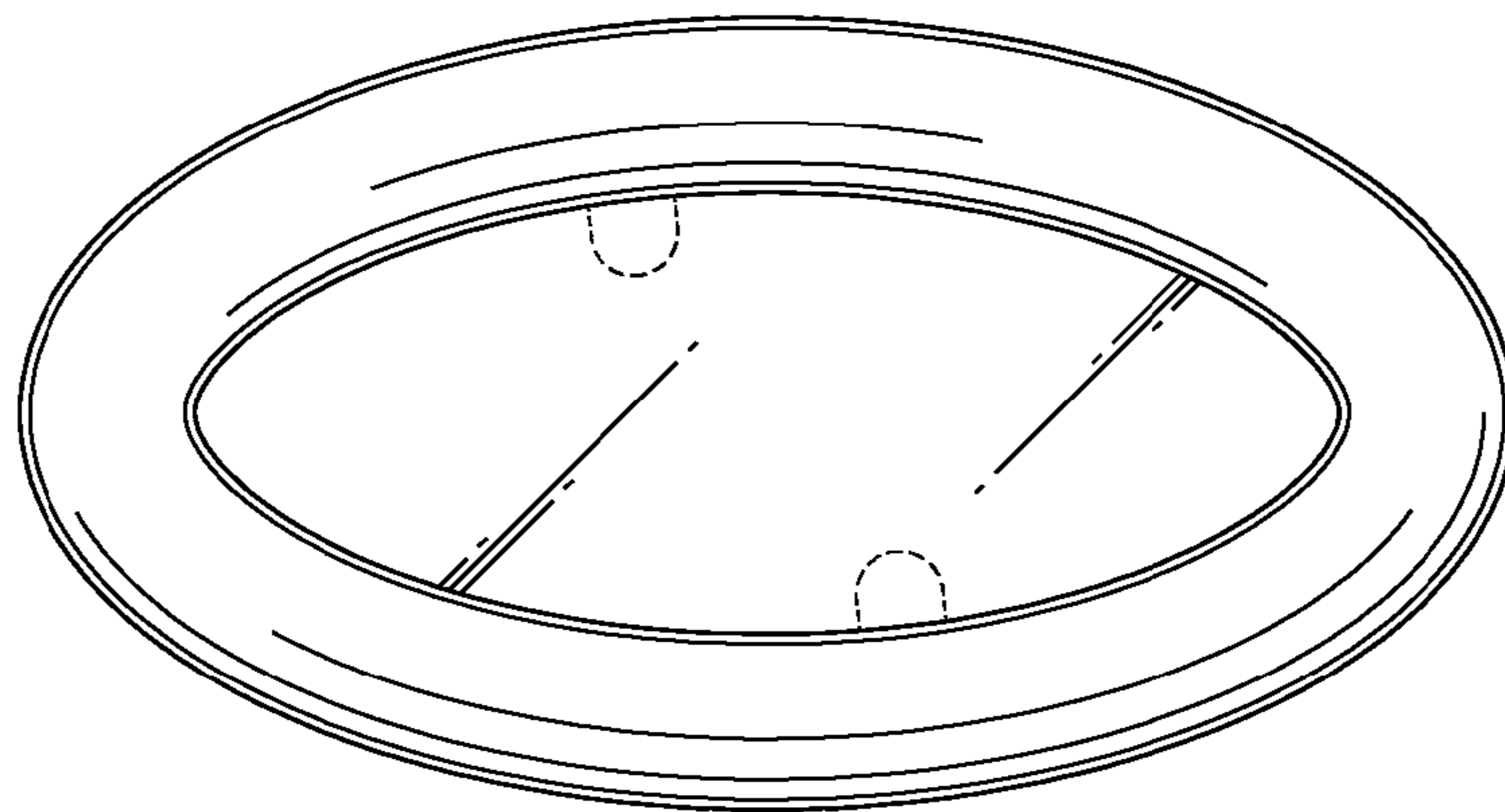


FIG. 3

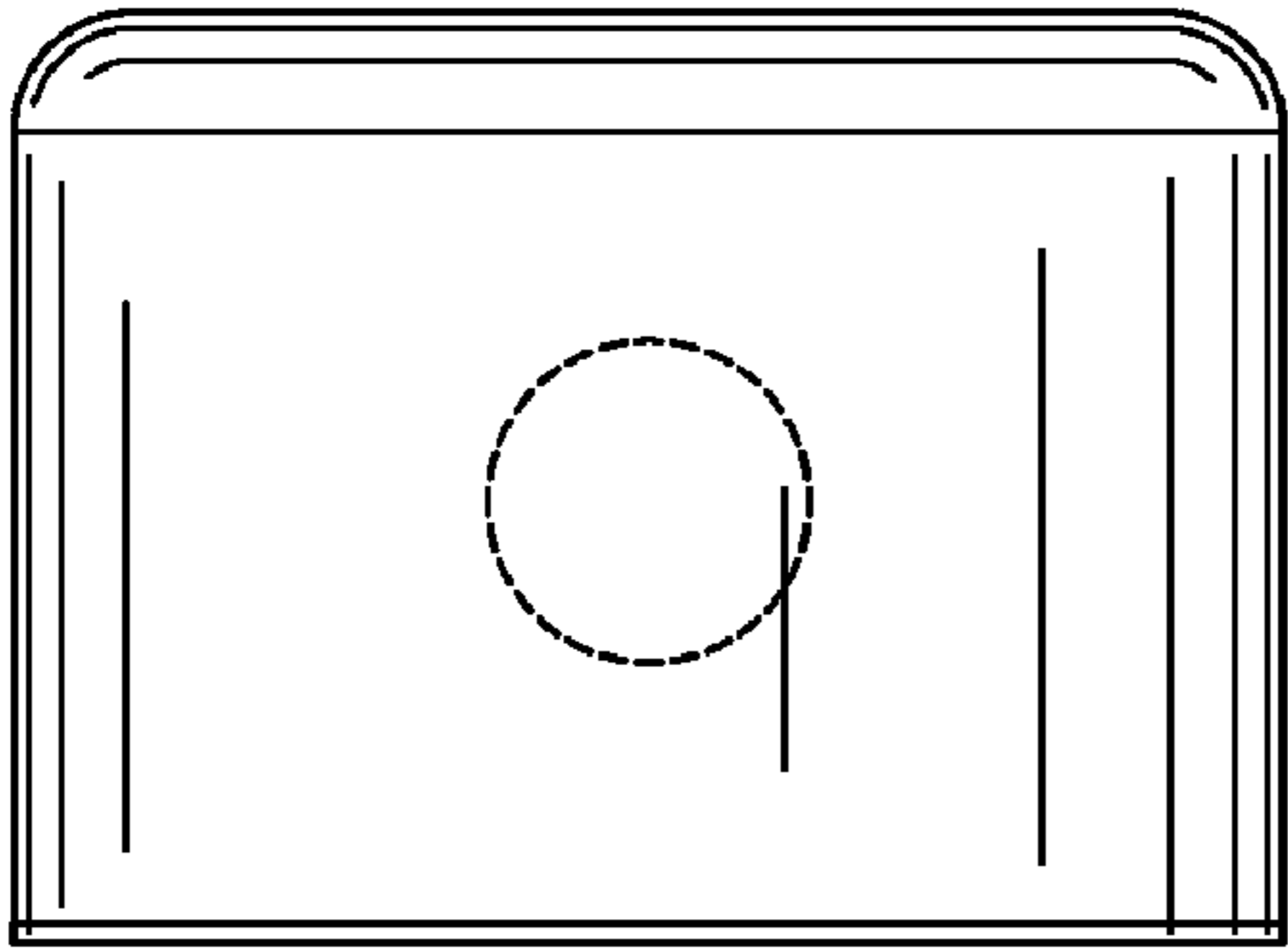


FIG. 4

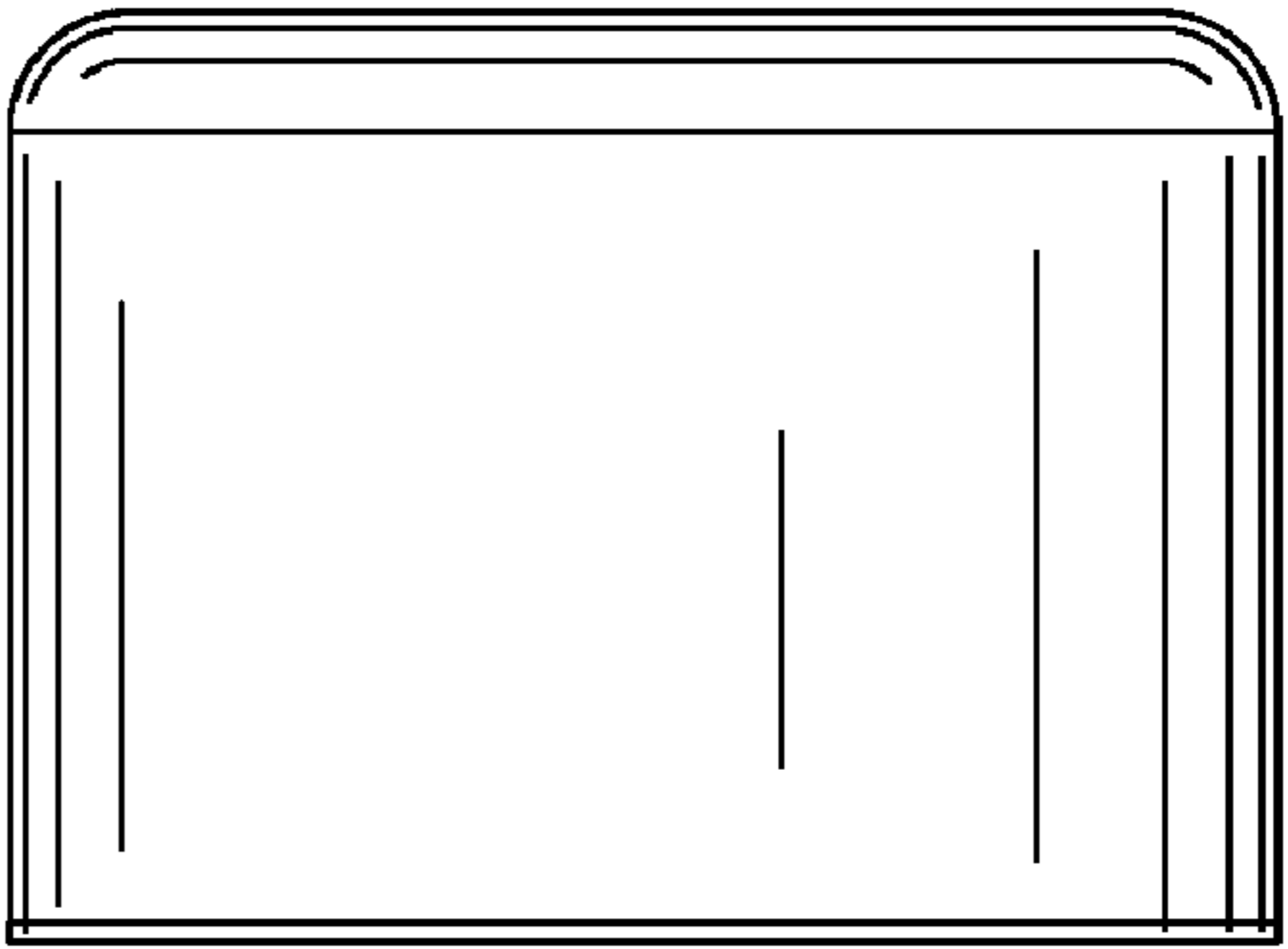


FIG. 5

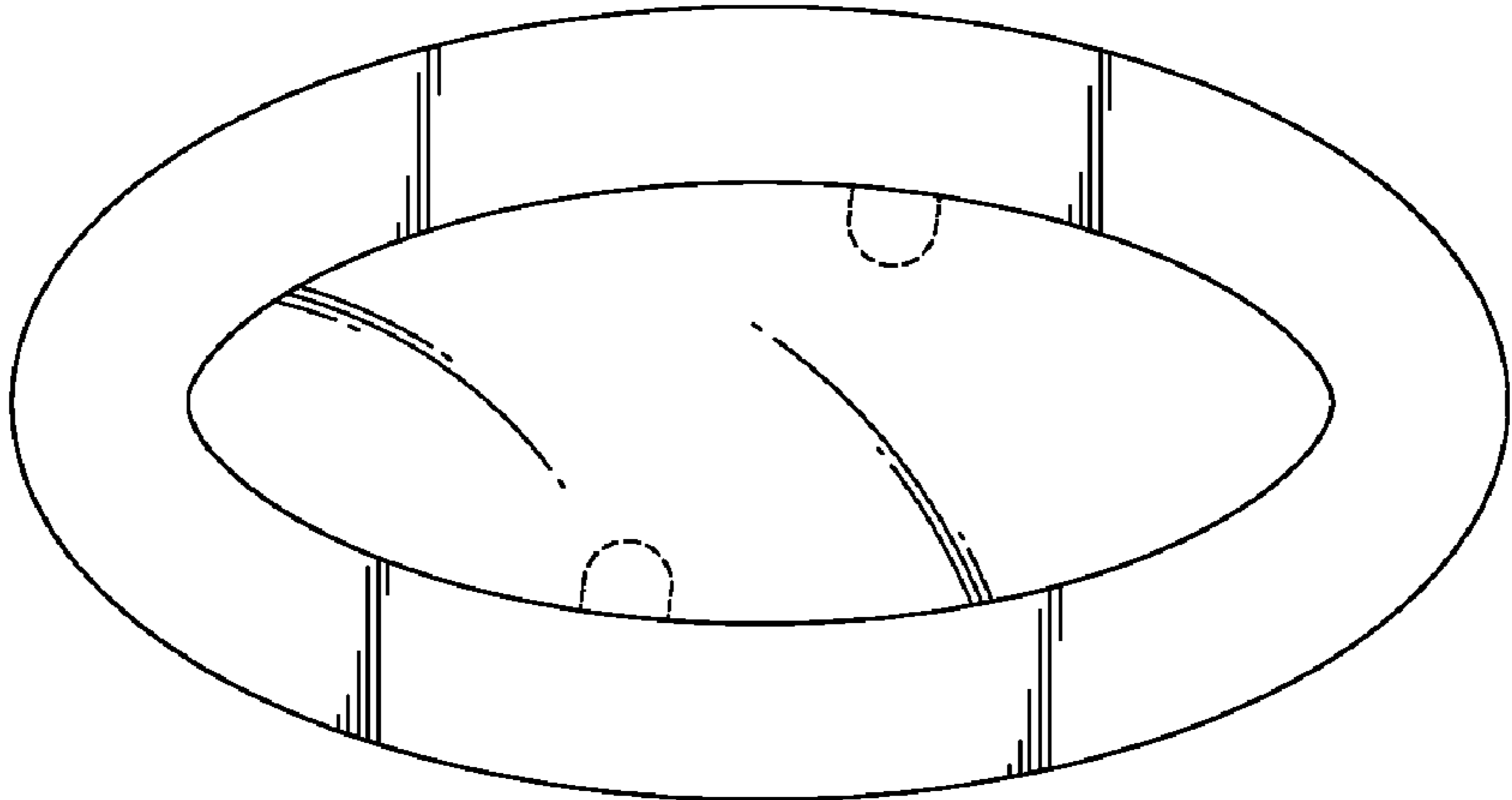


FIG. 6