



US00D580465S

(12) **United States Design Patent**
Waters

(10) **Patent No.:** **US D580,465 S**

(45) **Date of Patent:** **** Nov. 11, 2008**

(54) **WARP DRIVE FOR AEROSPACE VEHICLE**

(76) Inventor: **Laurence Waters**, 541 Stone St.,
Watertown, NY (US) 13601

(**) Term: **14 Years**

(21) Appl. No.: **29/283,620**

(22) Filed: **Aug. 20, 2007**

(51) **LOC (8) Cl.** **15-99**

(52) **U.S. Cl.** **D15/199**

(58) **Field of Classification Search** D15/199;
60/202, 246, 251, 258, 267, 277, 643, 670
See application file for complete search history.

7,302,794 B2 * 12/2007 Haggander 60/267
7,343,732 B2 * 3/2008 Hewitt 60/257
2002/0121081 A1 * 9/2002 Cesaroni et al.
2004/0055274 A1 * 3/2004 Kline et al.
2006/0000214 A1 * 1/2006 Pelrine et al. 60/643
2006/0213181 A1 * 9/2006 Sarigul-Klijn et al. 60/251

* cited by examiner

Primary Examiner—Sandra Snapp

Assistant Examiner—Patricia Palasik

(74) *Attorney, Agent, or Firm*—Bernhard P. Molldrem, Jr.

(57) **CLAIM**

The ornamental design for a warp drive for aerospace vehicle,
as shown and described.

DESCRIPTION

FIG. 1 is a right side elevational view of a warp drive engine
module for an aerospace vehicle, showing my new design.

FIG. 2 is a top plan view thereof.

FIG. 3 is a left side elevation thereof.

FIG. 4 is a bottom view thereof.

FIG. 5 is a rear elevational view thereof; and,

FIG. 6 is a front elevational view thereof.

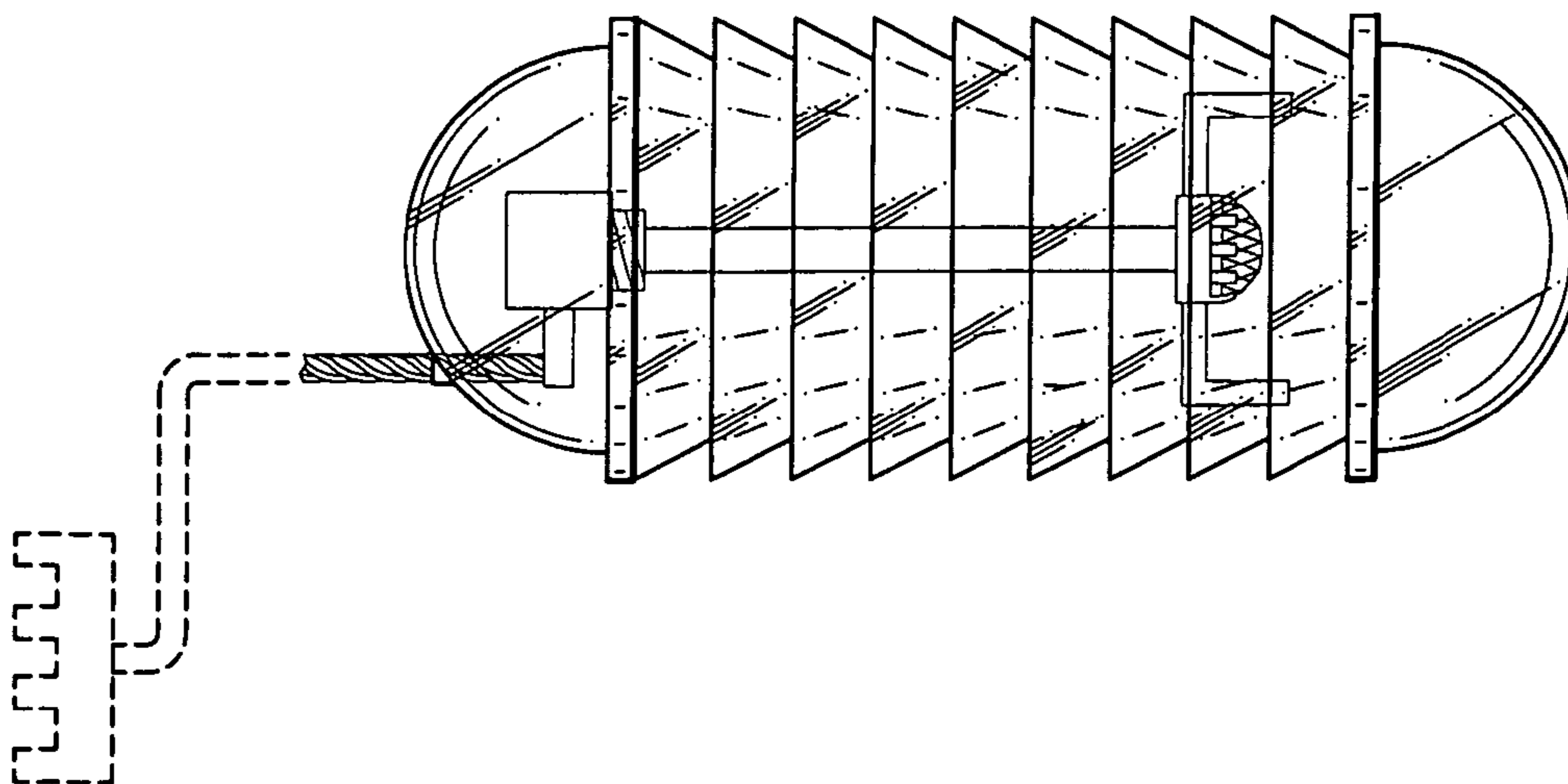
The plasma conduit and plasma drive node in FIG. 1 and the
circular attachment features in FIGS. 5 and 6 are shown in
broken line and do not form part of my design.

(56) **References Cited**

U.S. PATENT DOCUMENTS

2,589,215	A *	3/1952	Atwood	
3,100,962	A *	8/1963	Noeggerath	
3,270,496	A *	9/1966	Rom	
4,631,916	A *	12/1986	LeTanter et al.	
5,557,928	A *	9/1996	Castro et al.	
5,572,864	A *	11/1996	Jones	
5,694,769	A *	12/1997	Akiba et al.	
5,765,361	A *	6/1998	Jones et al.	
6,486,483	B2 *	11/2002	Gonzalez	
6,880,326	B2 *	4/2005	Karabeyoglu et al.	
6,952,917	B2 *	10/2005	Nagashima	
7,194,852	B1 *	3/2007	Krishnan	60/250
7,213,392	B2 *	5/2007	McMullen et al.	60/266

1 Claim, 1 Drawing Sheet



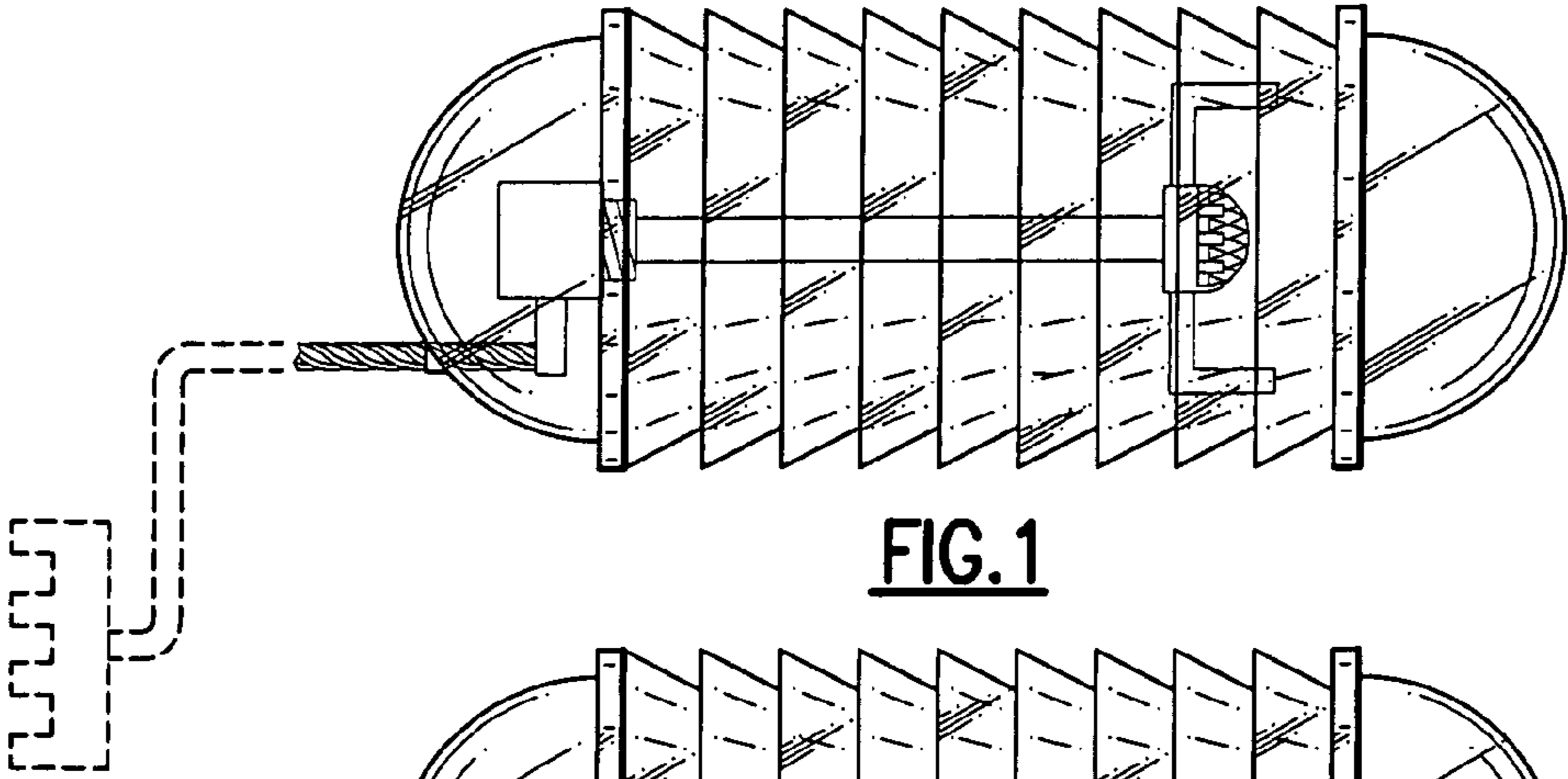


FIG. 1

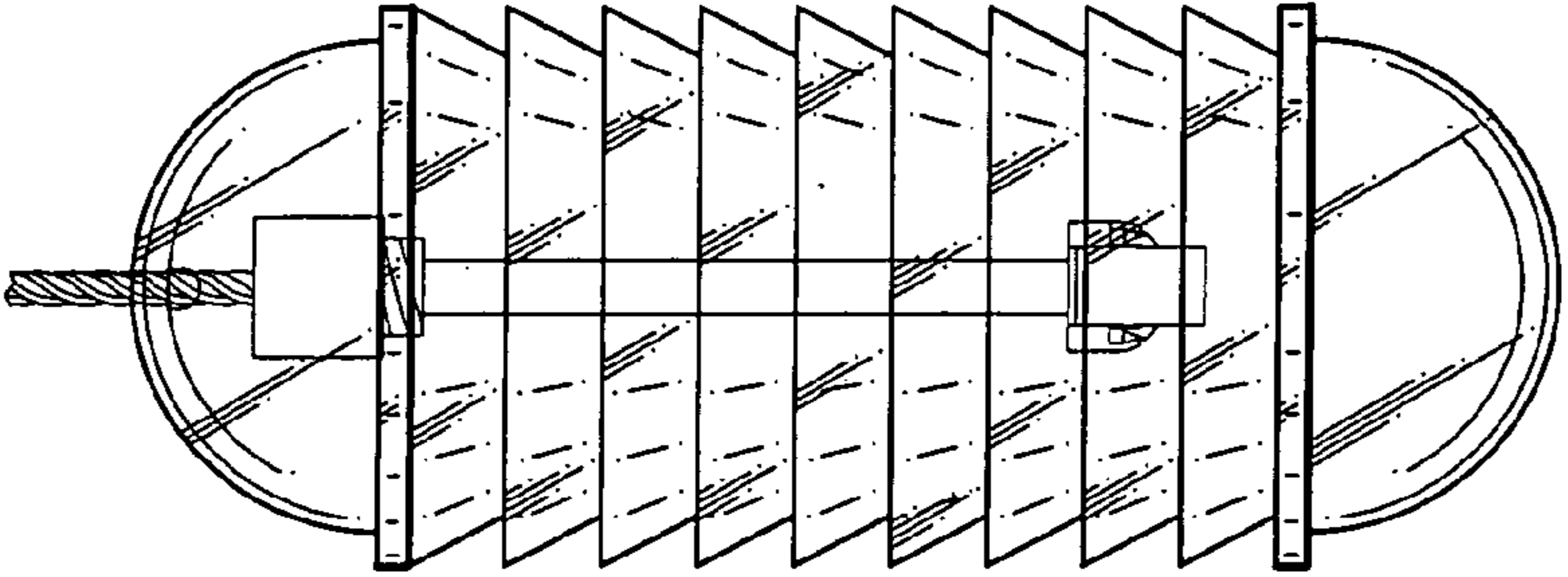


FIG. 2

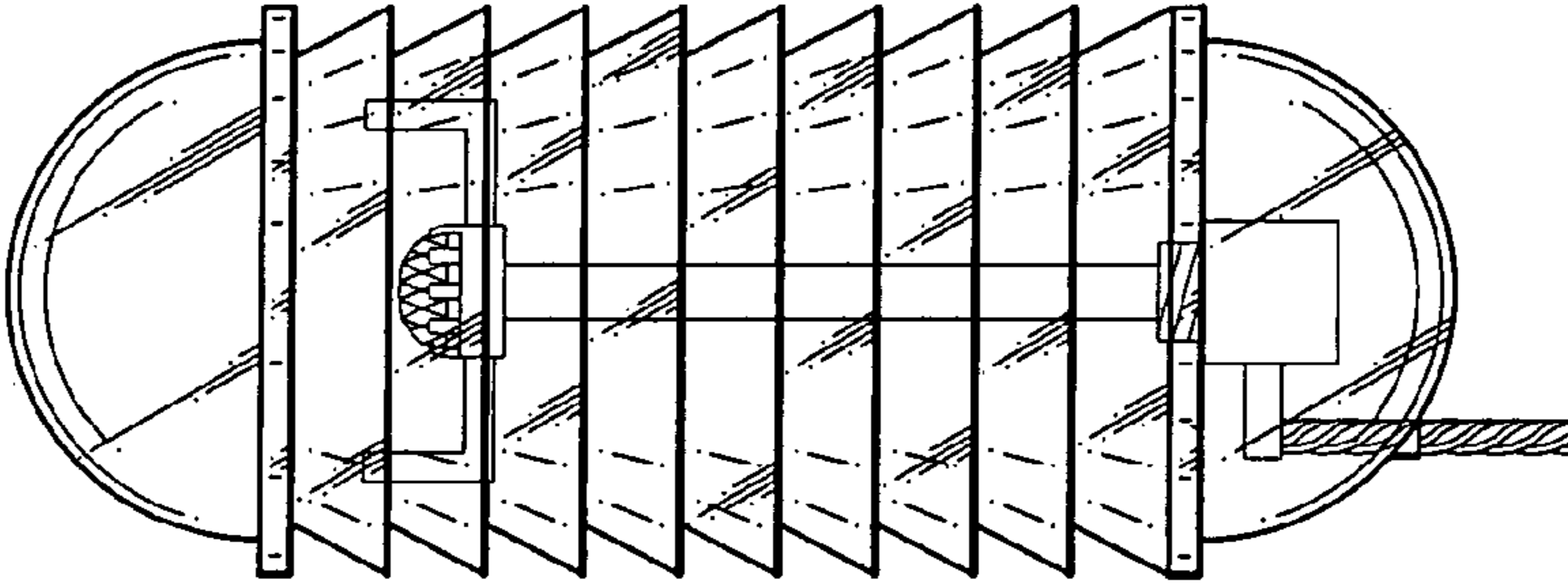


FIG. 3

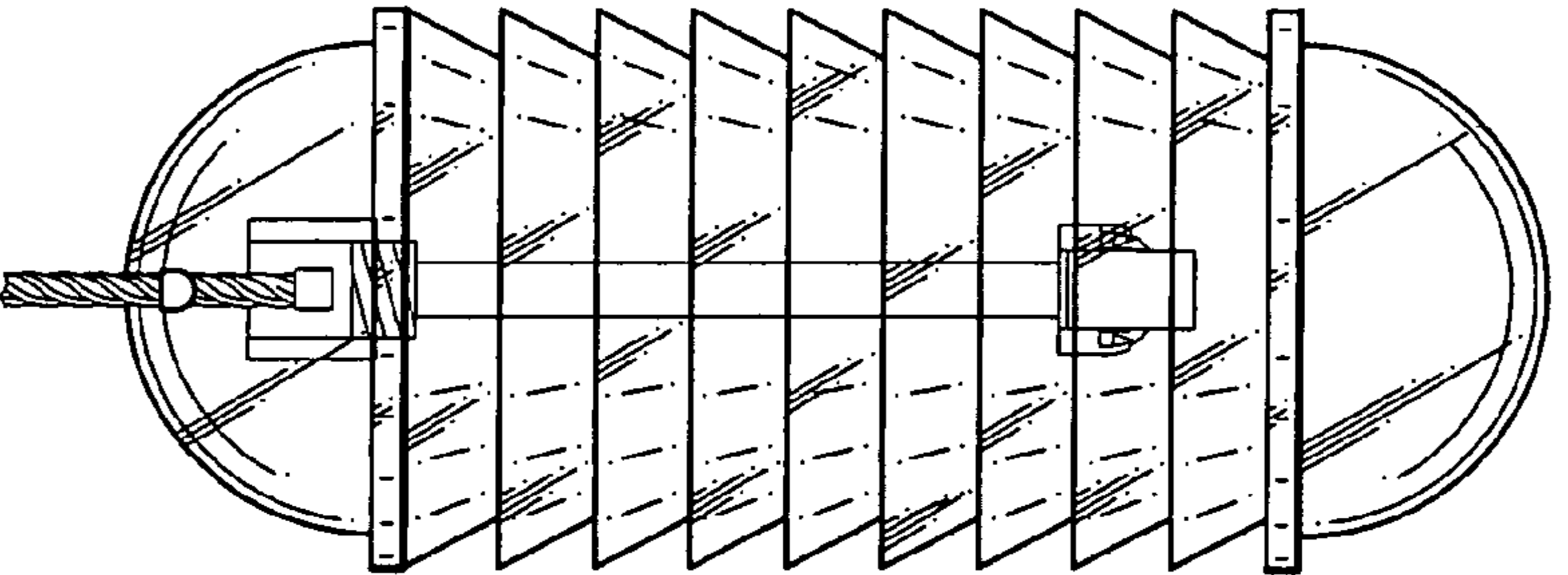


FIG. 4

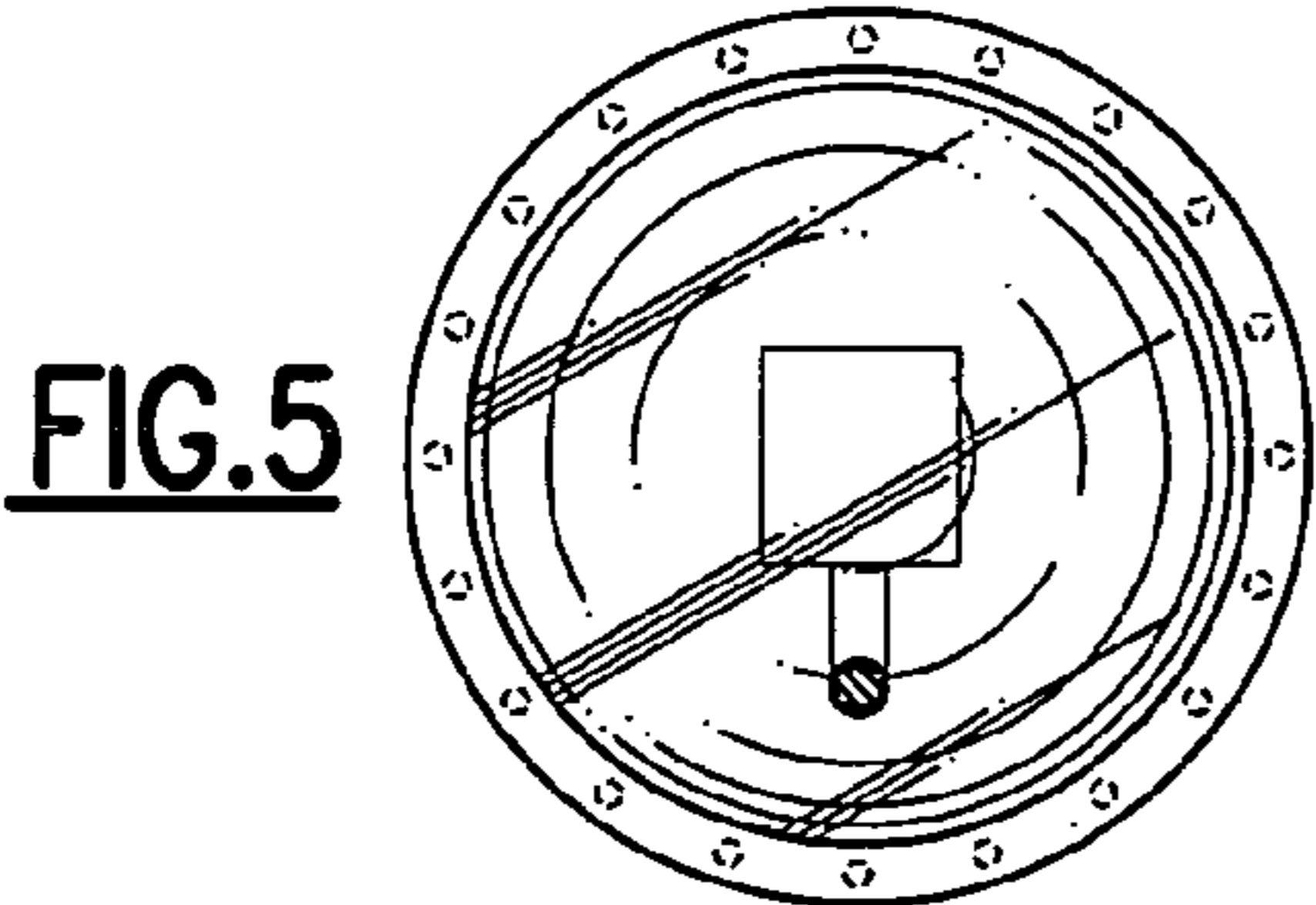


FIG. 5

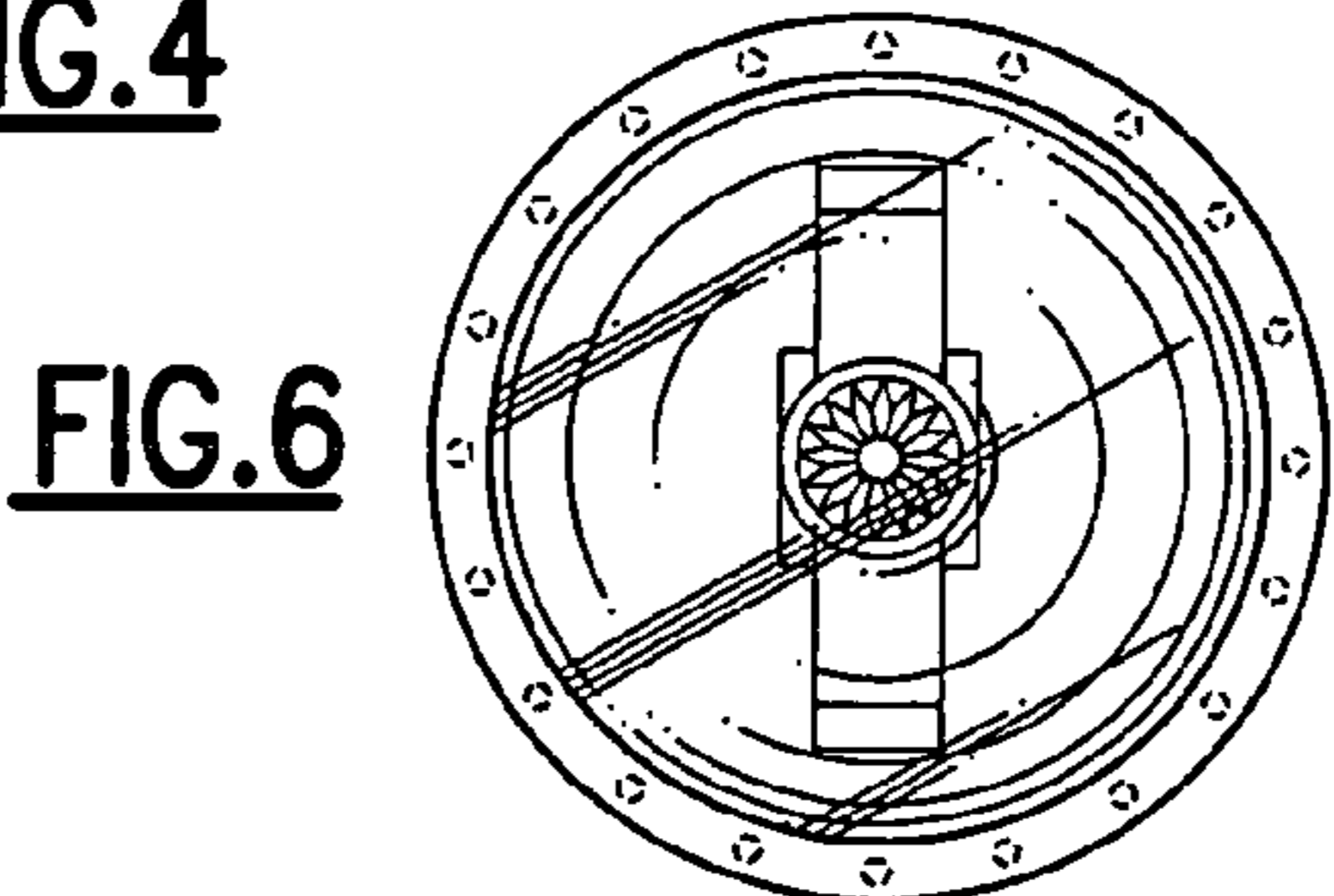


FIG. 6