



US00D580463S

(12) **United States Design Patent**
Lahn

(10) **Patent No.:** **US D580,463 S**

(45) **Date of Patent:** **** Nov. 11, 2008**

(54) **LINEAR DRIVE**

D549,663 S * 8/2007 Tsou et al. D15/143

(75) Inventor: **Jens Lahn**, Schönkirchen (DE)

* cited by examiner

(73) Assignee: **Joachim Uhing KG GmbH & Co**,
Mielkendorf (DE)

Primary Examiner—Antoine D Davis
(74) *Attorney, Agent, or Firm*—Cook Alex Ltd.

(**) Term: **14 Years**

(57) **CLAIM**

(21) Appl. No.: **29/296,587**

The ornamental design for a linear drive, as shown and described.

(22) Filed: **Oct. 24, 2007**

DESCRIPTION

(30) **Foreign Application Priority Data**

Apr. 27, 2007 (EM) 000715115-0001

(51) **LOC (8) Cl.** **15-09**

(52) **U.S. Cl.** **D15/143**

(58) **Field of Classification Search** D15/143;
74/25, 89; 91/1; 92/13.5, 59, 88, 125 A,
92/128, 165 R, 169.1; 188/43; 310/12, 17,
310/20, 89, 317; 318/372; 439/320

See application file for complete search history.

FIG. 1 is a perspective view of the linear drive of my invention;

FIG. 2 is a front view of the linear drive of my invention;

FIG. 3 is a rear view of the linear drive of my invention;

FIG. 4 is a top view of the linear drive of my invention;

FIG. 5 is a left-hand elevational view of FIG. 2 of the linear drive of my invention;

FIG. 6 is a perspective view of the design showing the right side of the linear drive of my invention; and,

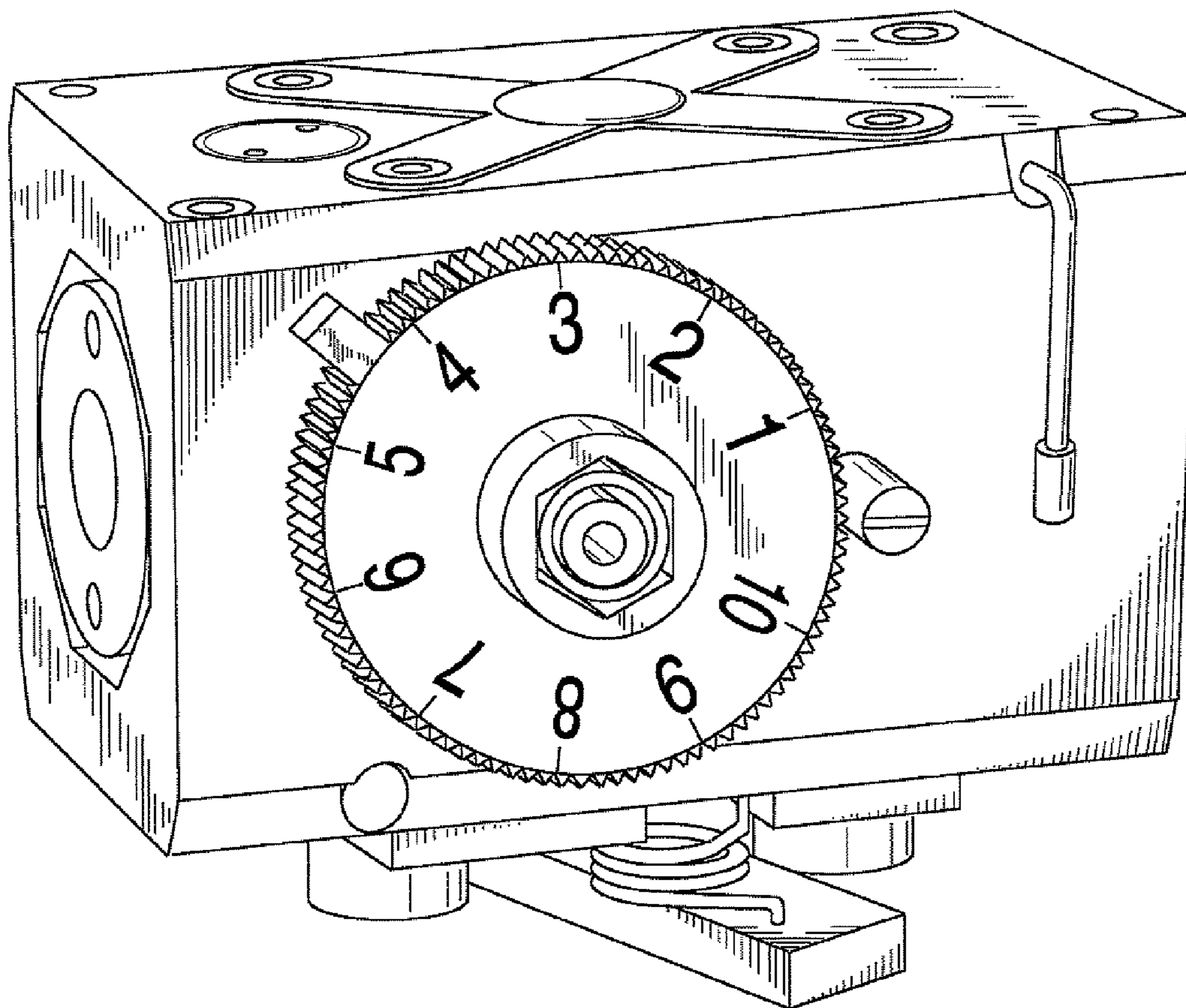
FIG. 7 is a bottom perspective view of the linear drive of my invention.

(56) **References Cited**

U.S. PATENT DOCUMENTS

4,051,735 A * 10/1977 Johnson et al. 74/25

1 Claim, 4 Drawing Sheets



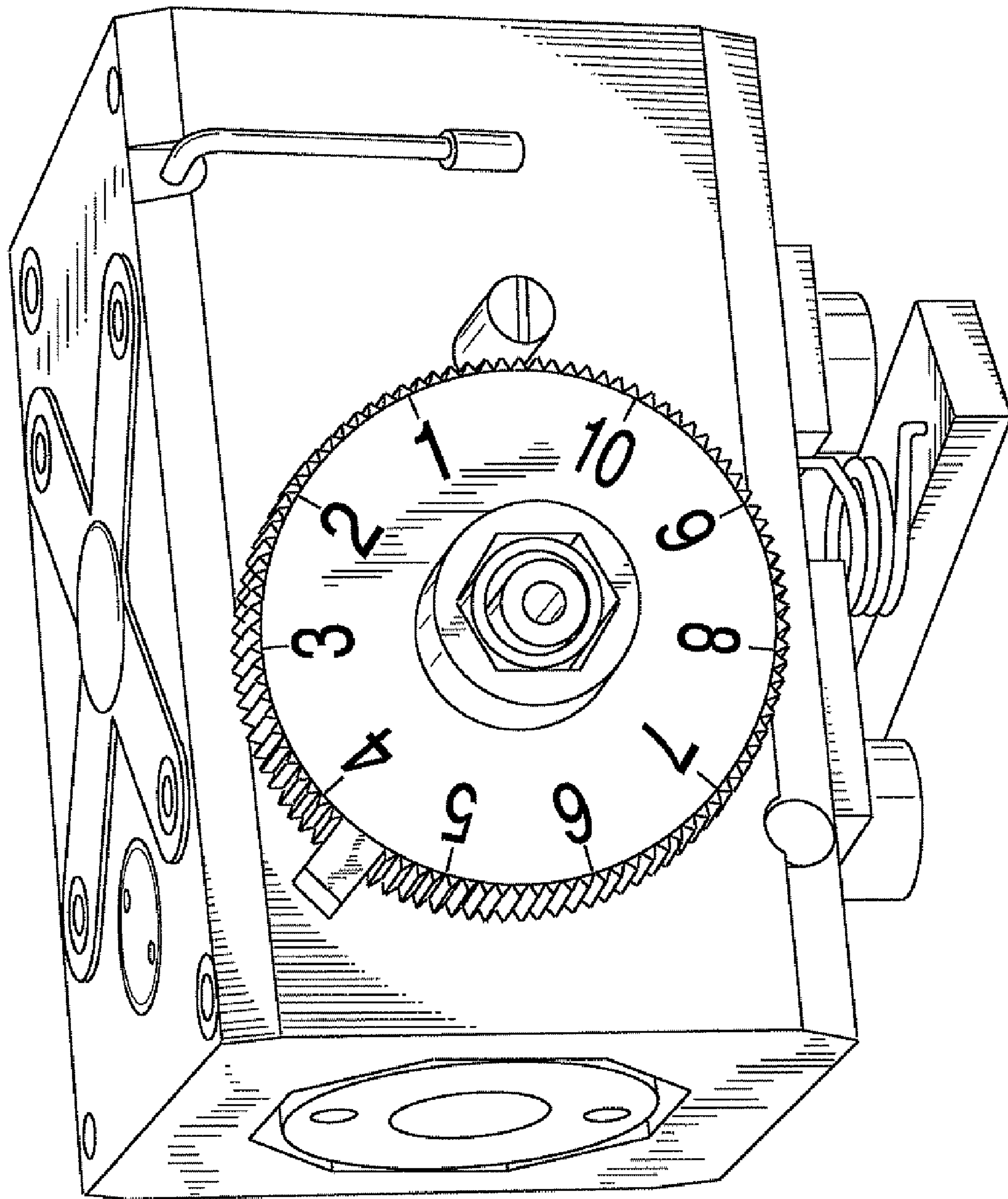


Fig. 1

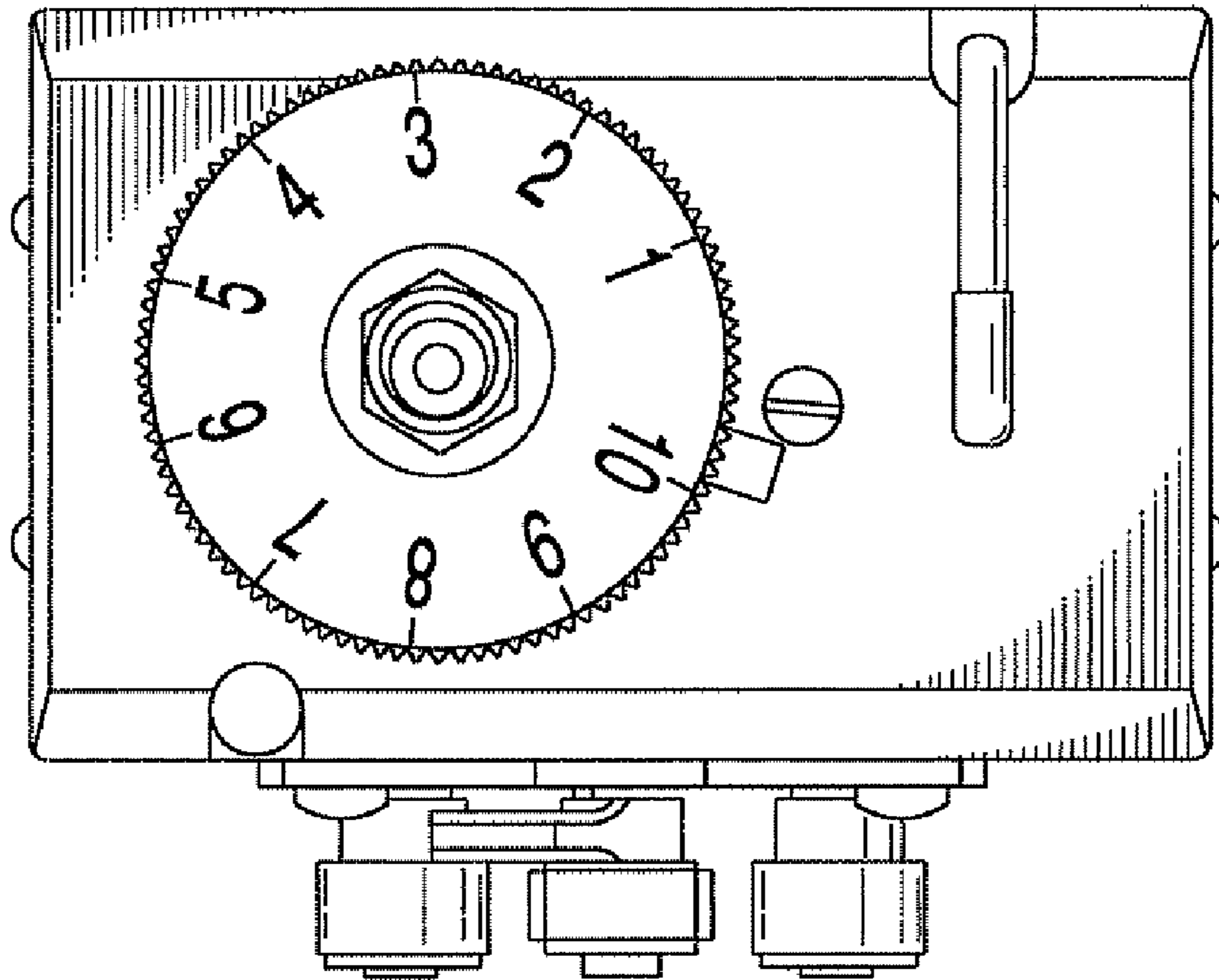
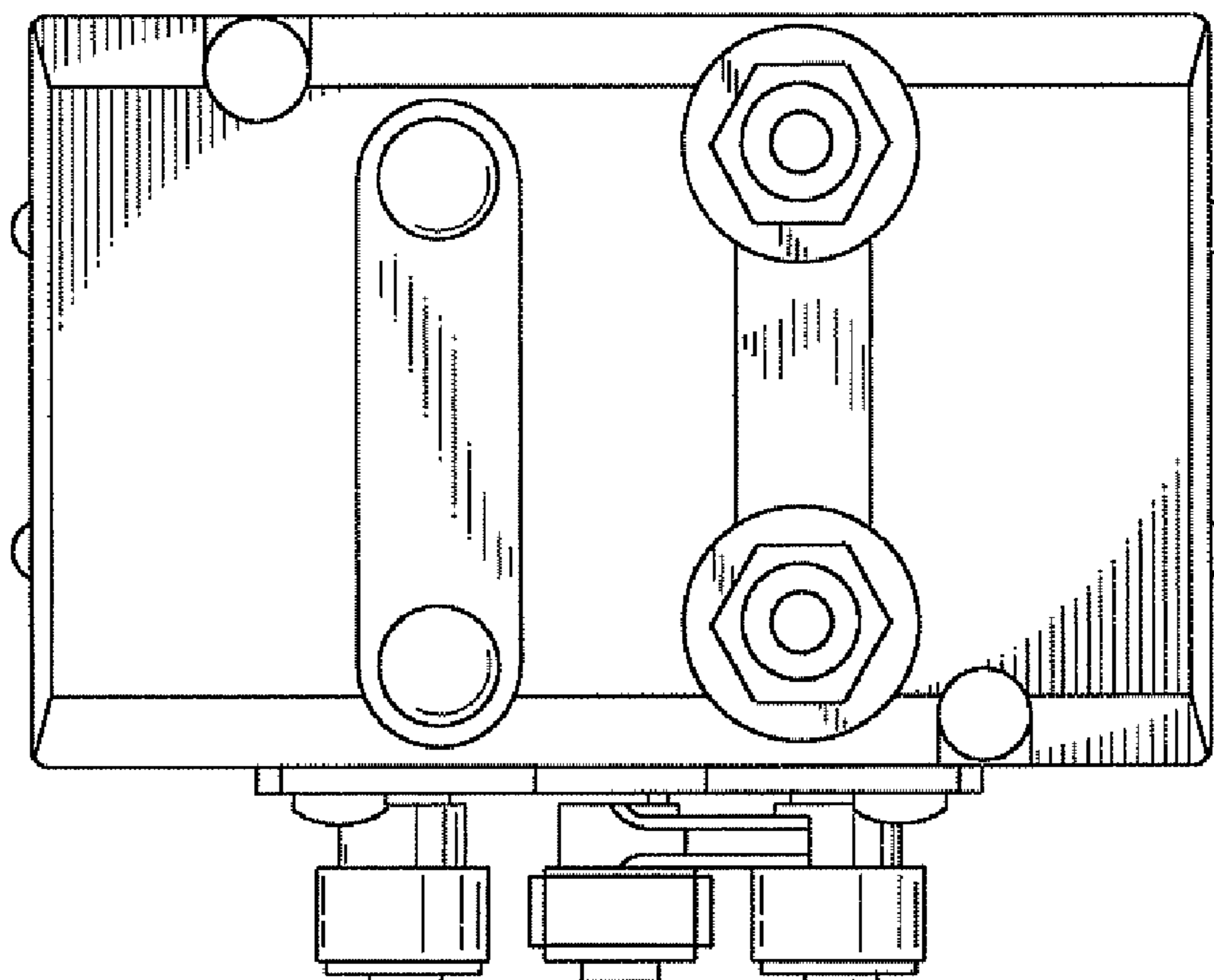


Fig. 2

Fig. 3



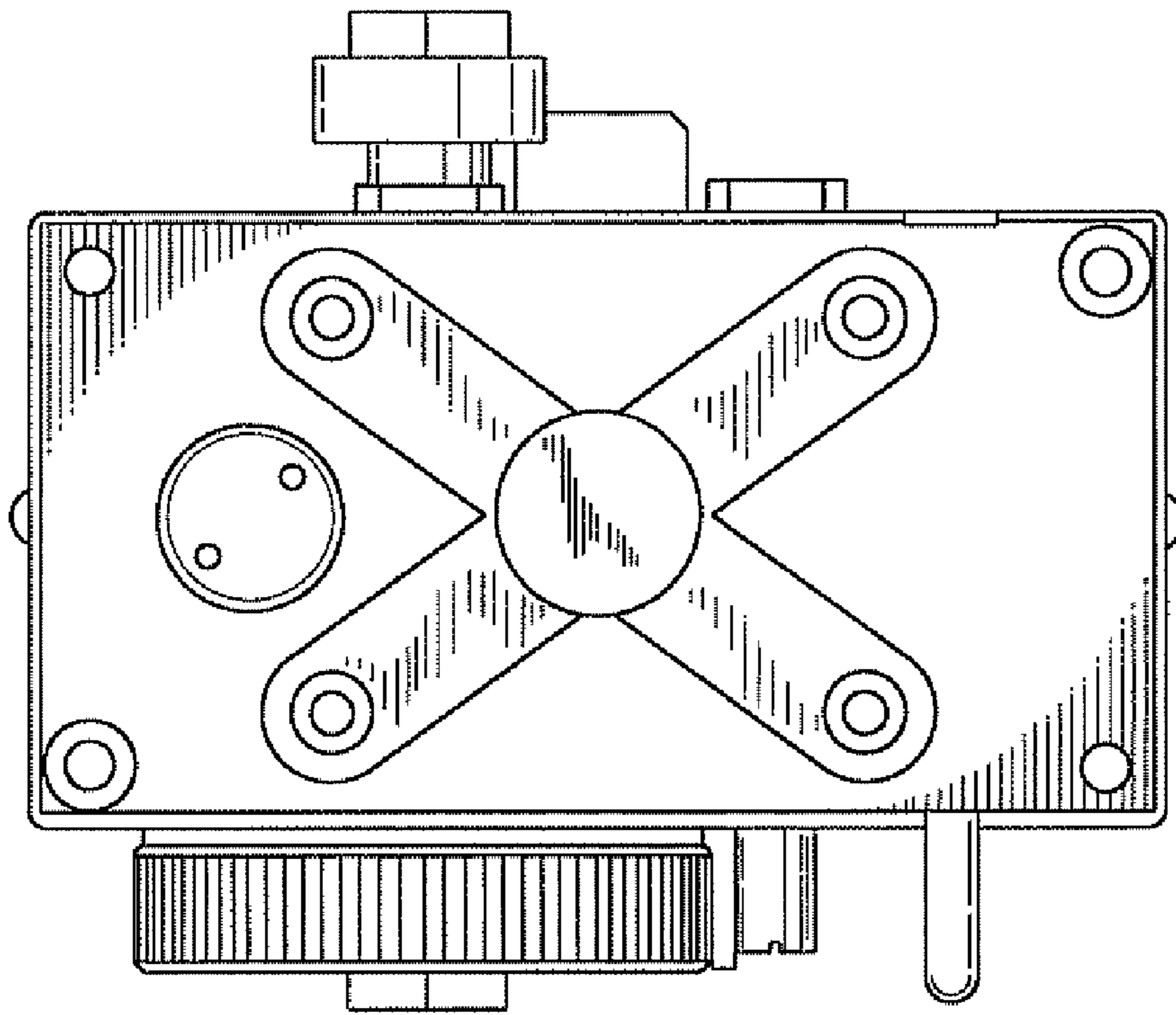


Fig. 4

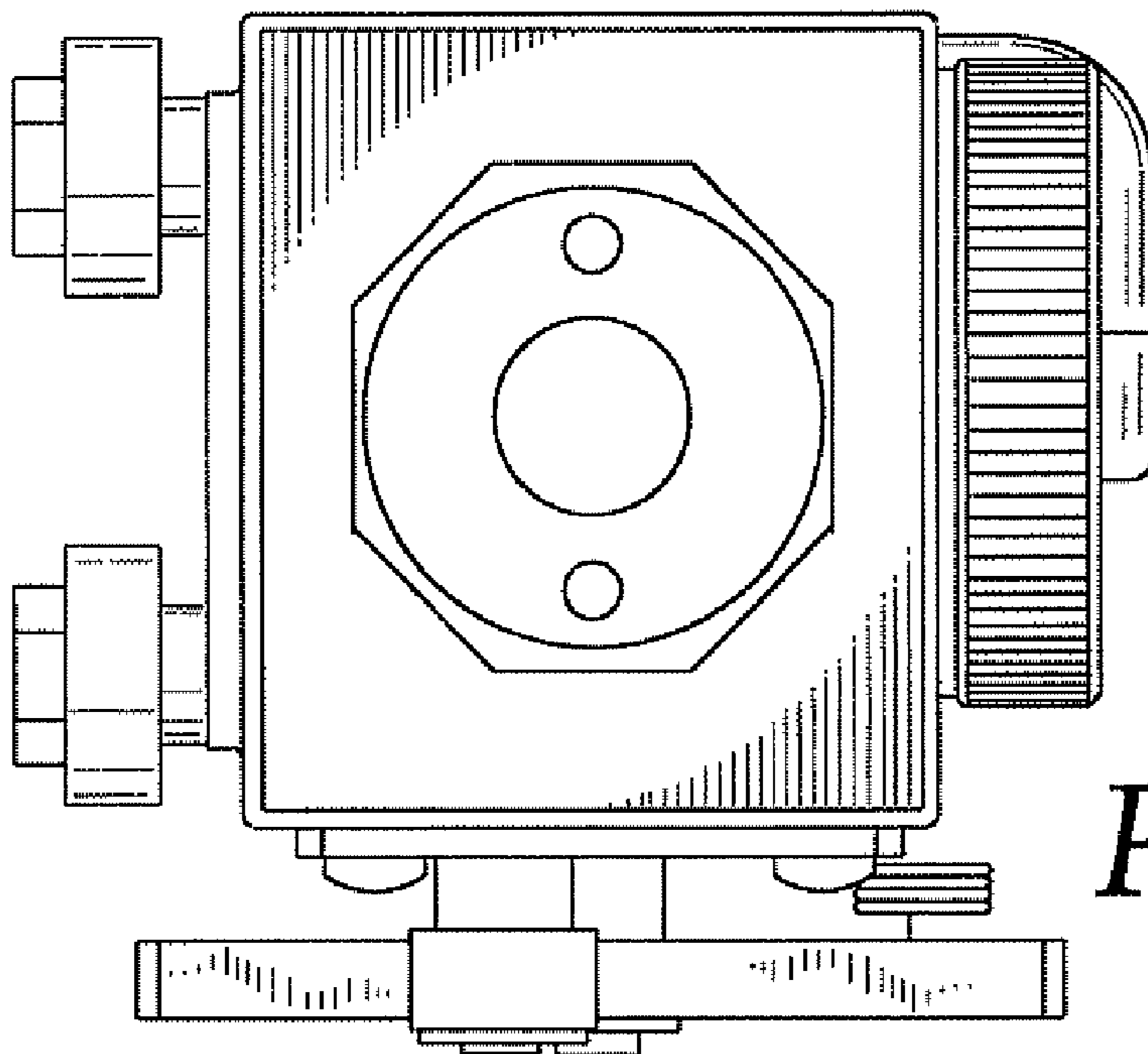


Fig. 5

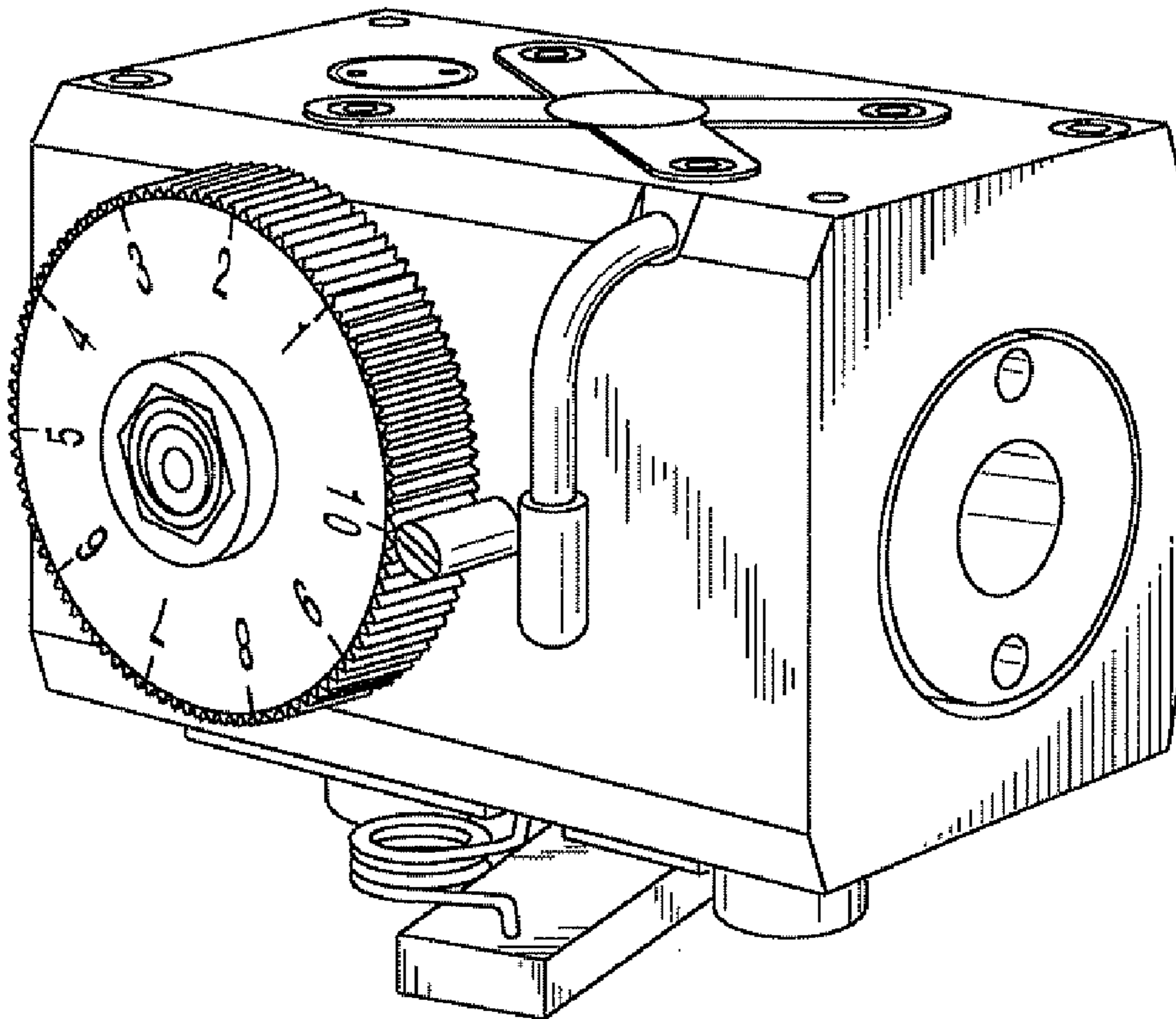


Fig. 6

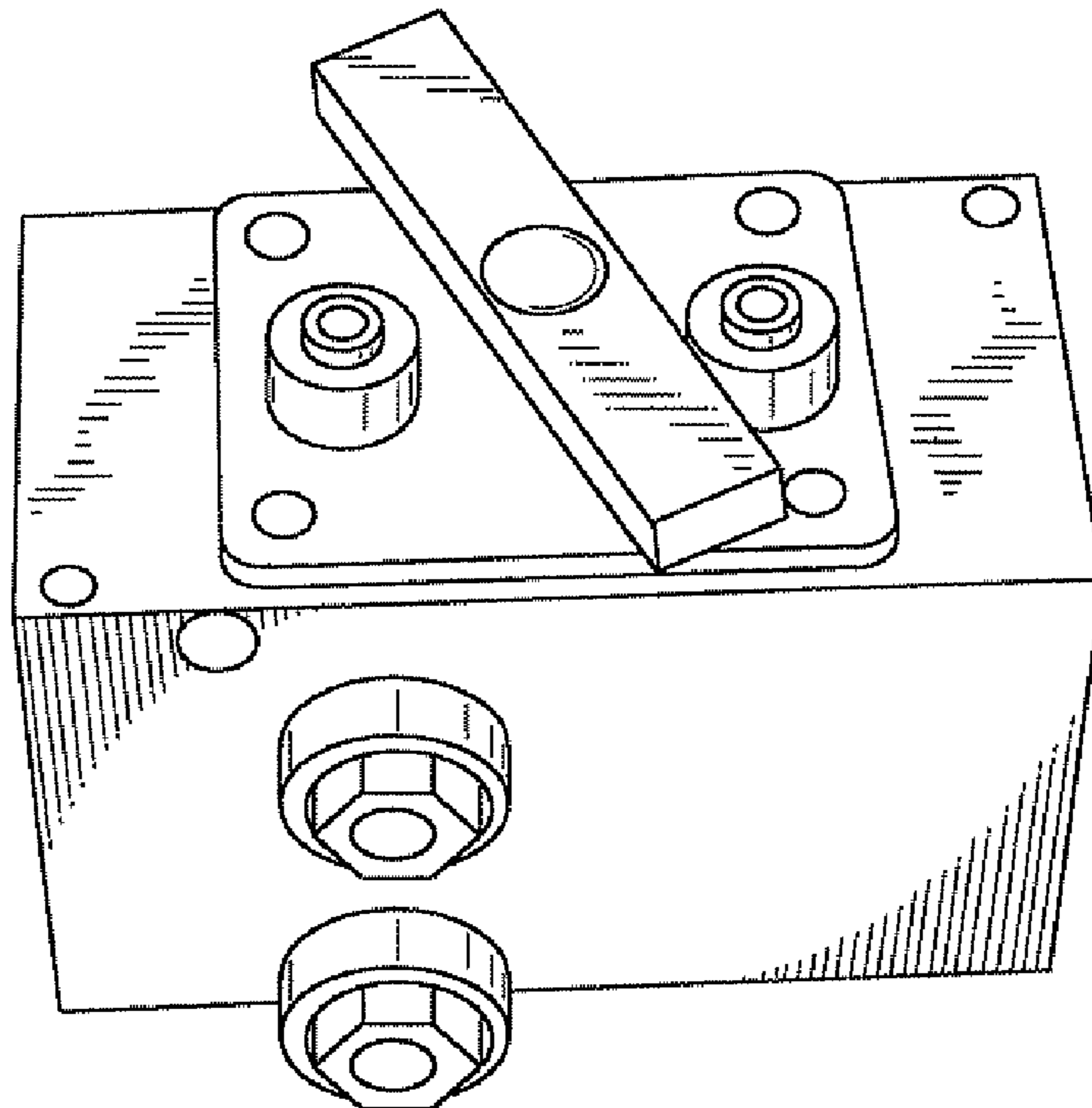


Fig. 7