



US00D580461S

(12) **United States Design Patent**
Schreck

(10) **Patent No.:** **US D580,461 S**

(45) **Date of Patent:** **** Nov. 11, 2008**

(54) **HOT RUNNER FOR INJECTION MOULDING DIE**

(75) Inventor: **Hans Schreck**, Burgwald-Bottendorf (DE)

(73) Assignee: **Heitec-Heisskanaltechnik GmbH**, Burgwald-Bottendorf (DE)

(**) Term: **14 Years**

(21) Appl. No.: **29/286,972**

(22) Filed: **May 23, 2007**

(30) **Foreign Application Priority Data**

Nov. 24, 2006 (EM) 000626155

(51) **LOC (8) Cl.** **15-09**

(52) **U.S. Cl.** **D15/136**

(58) **Field of Classification Search** D15/135, D15/136; 219/420-424, 523, 530, 541, 544; 264/328.14, 328.15, 328.16; 425/547-550, 425/564, 566, 570

See application file for complete search history.

(56) **References Cited**

U.S. PATENT DOCUMENTS

2,110,080 A * 3/1938 Coddington D15/135
4,425,091 A * 1/1984 Prince D15/135

5,220,154 A * 6/1993 Gunther 219/421
5,225,662 A * 7/1993 Schmidt 219/421
5,295,806 A * 3/1994 Gunther 425/570
6,824,380 B2 * 11/2004 Lee 425/572
2007/0104824 A1 * 5/2007 Blundy 425/572
2007/0290406 A1 * 12/2007 Kaushal et al. 425/564

* cited by examiner

Primary Examiner—Sandra Snapp

Assistant Examiner—Patricia Palasik

(74) *Attorney, Agent, or Firm*—Blakely, Sokoloff, Taylor & Zafman LLP

(57) **CLAIM**

The ornamental design for a hot runner for an injection moulding die, as shown and described.

DESCRIPTION

FIG. 1 of the drawings is a front view showing a new design of a hot runner for an injection moulding die.

FIG. 2 of the drawings is a back view thereof.

FIG. 3 of the drawings is a left view thereof.

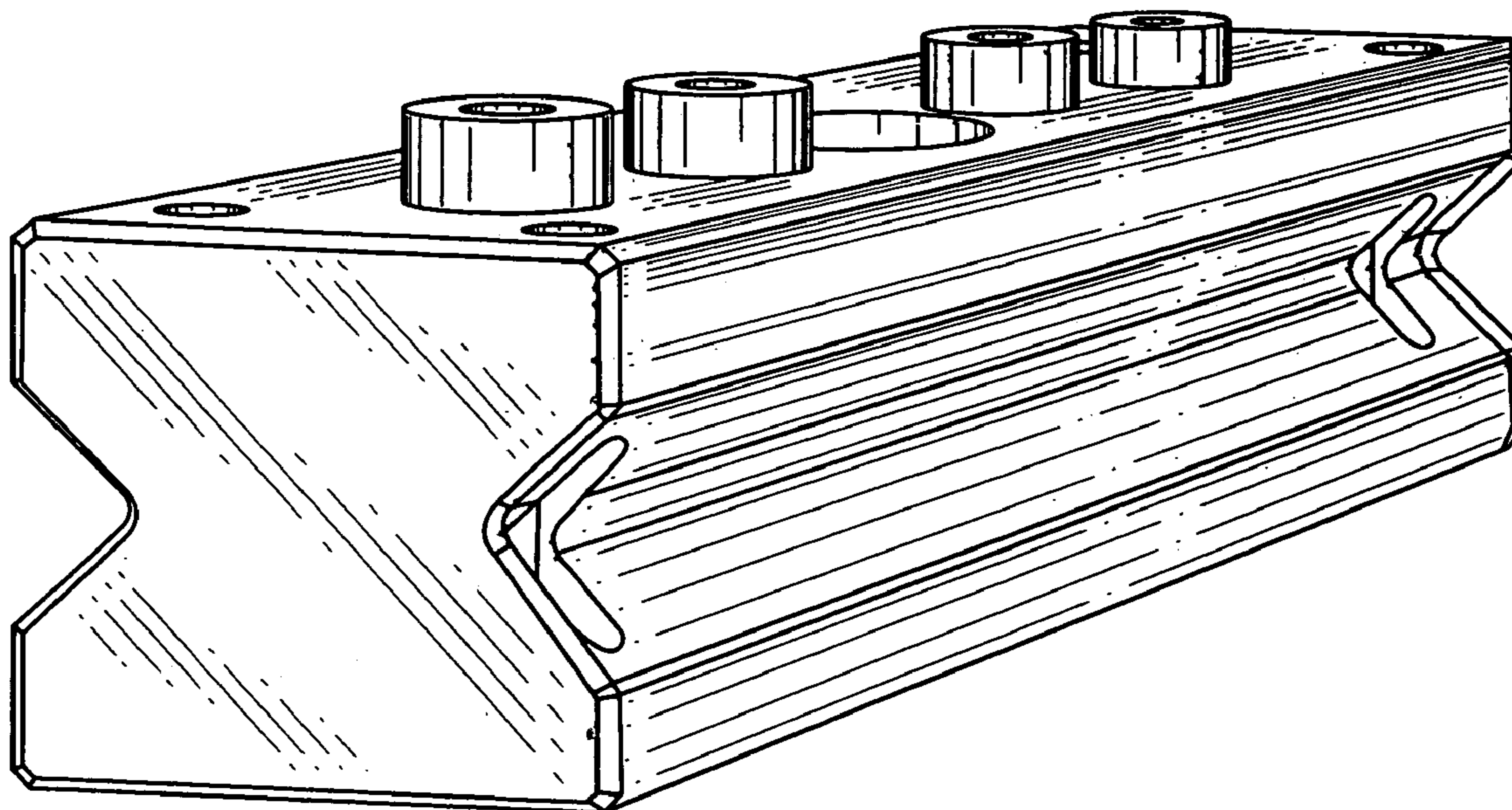
FIG. 4 of the drawings is a right view thereof.

FIG. 5 of the drawings is a top view thereof.

FIG. 6 of the drawings is a bottom view thereof; and,

FIG. 7 of the drawings is an isometric view thereof.

1 Claim, 7 Drawing Sheets



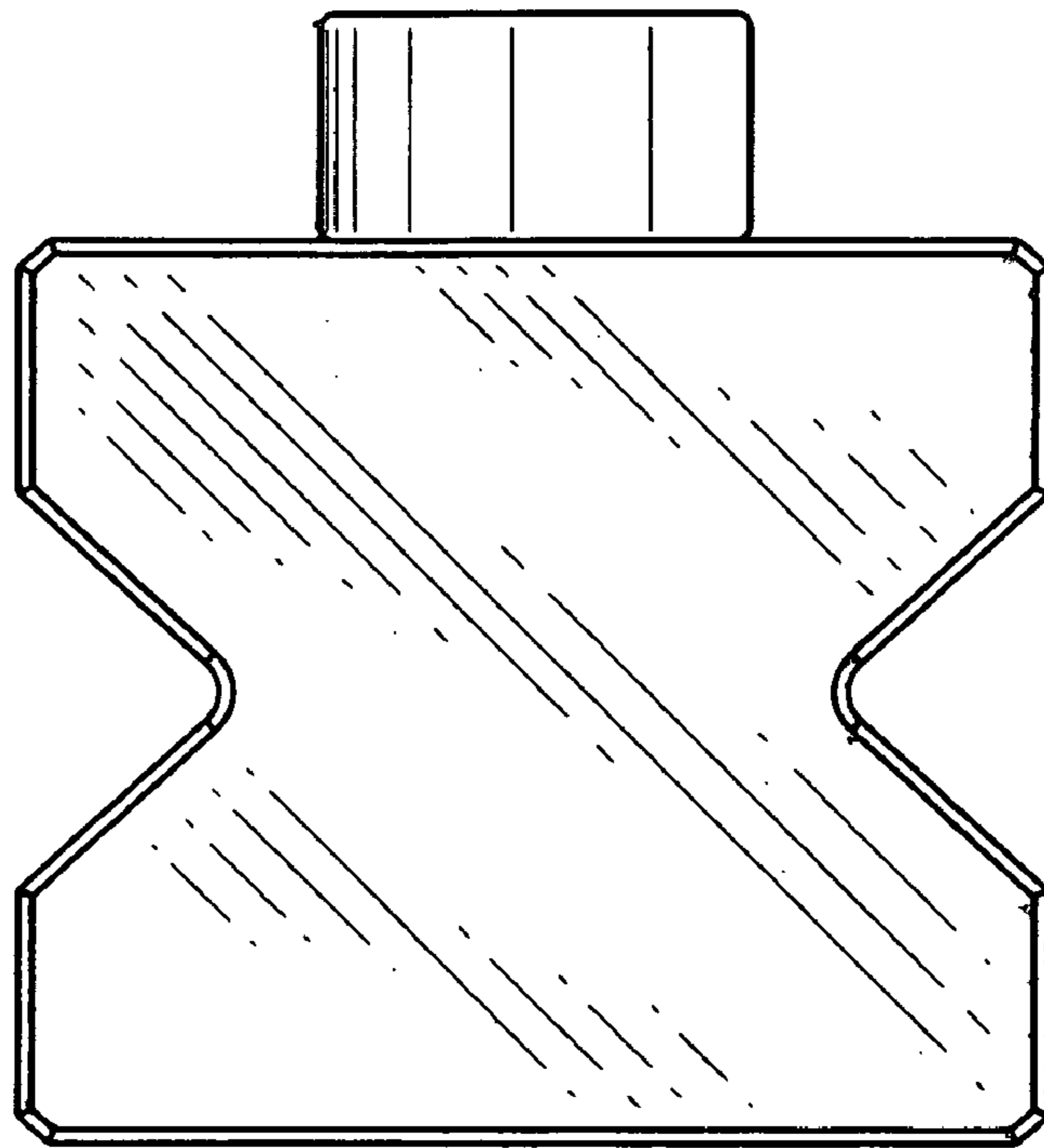


FIG. 1

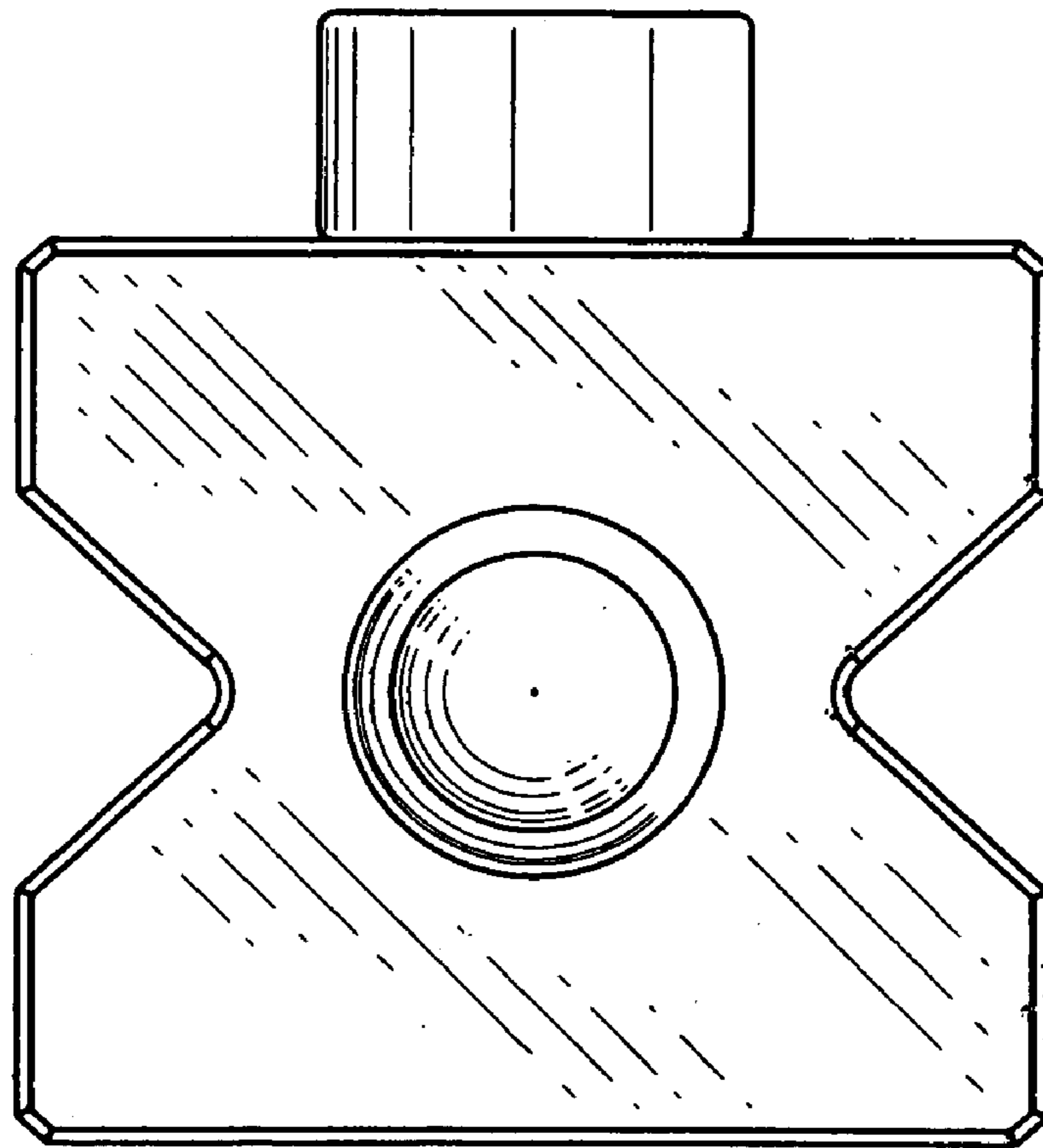


FIG. 2

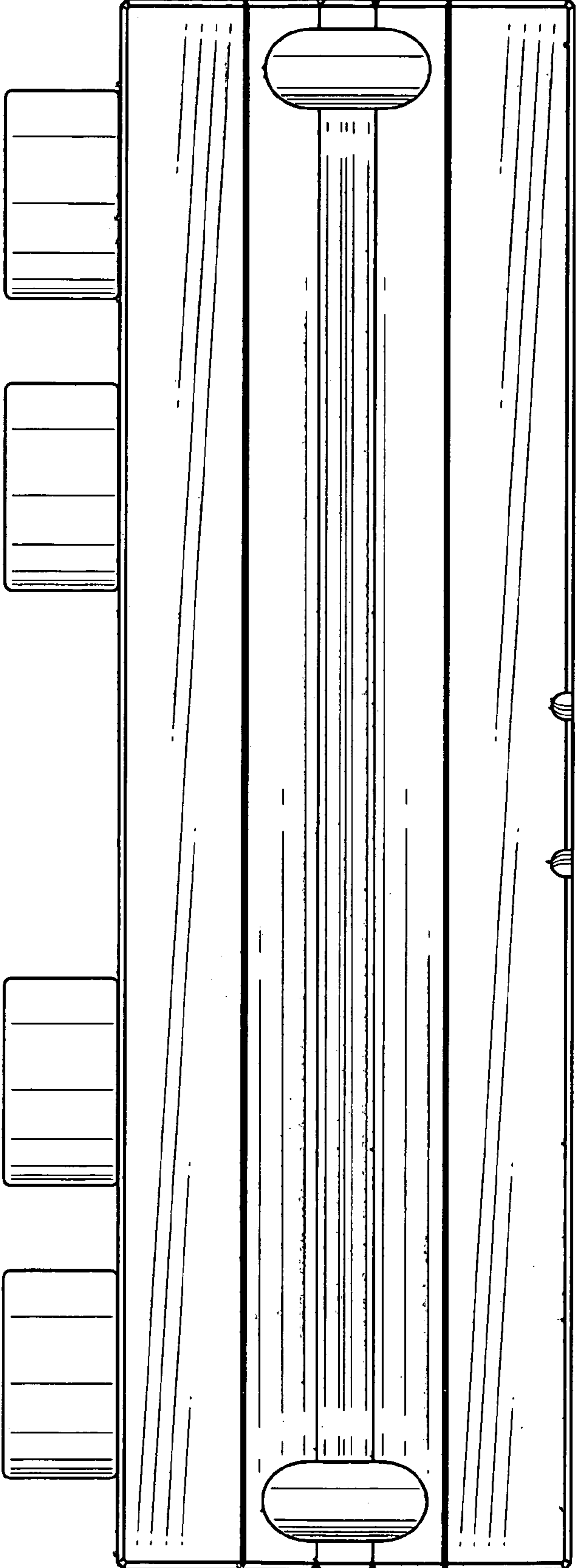


FIG. 3

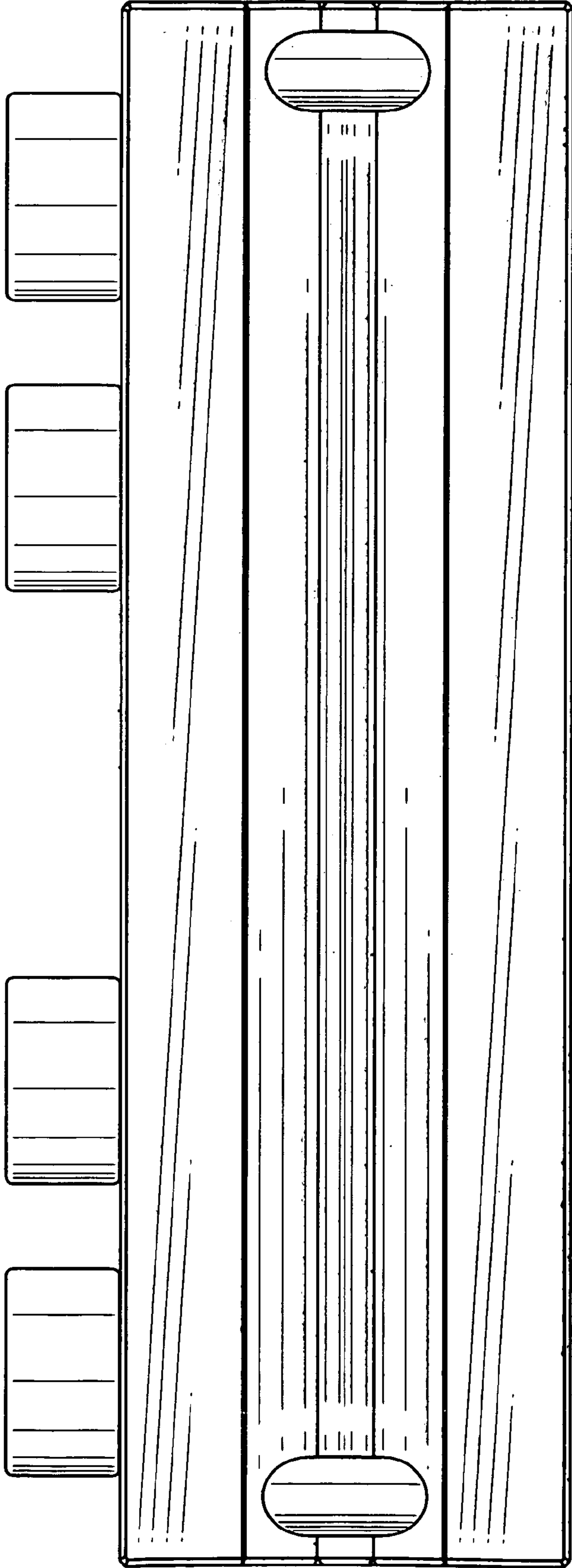


FIG. 4

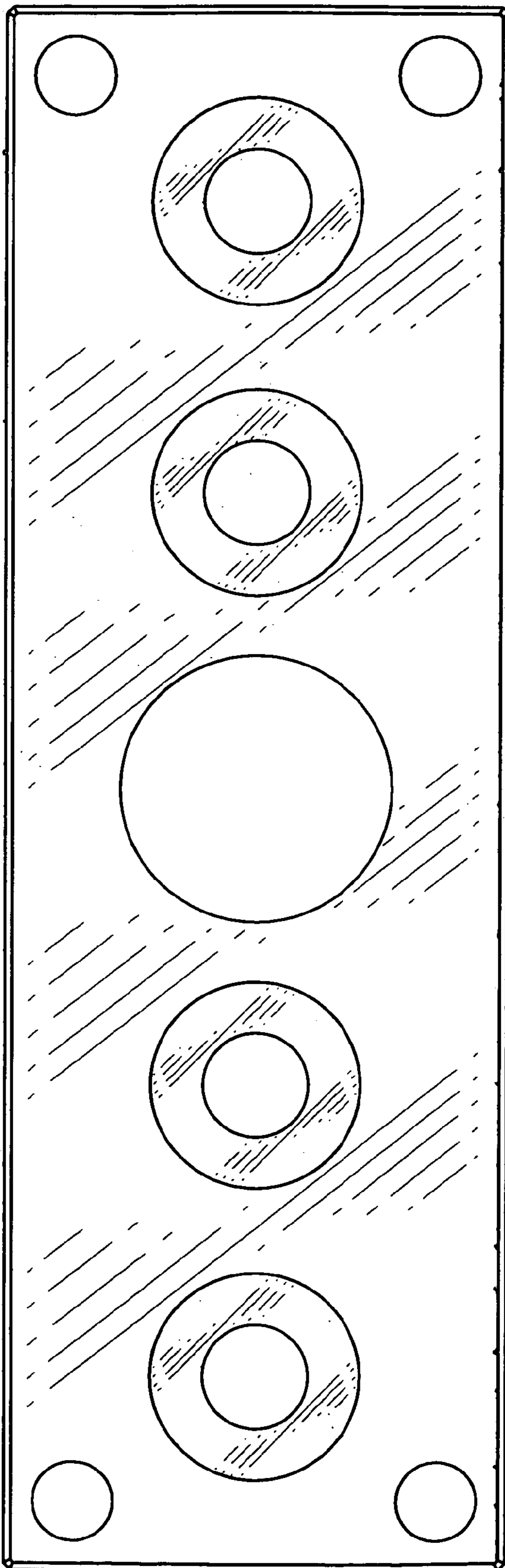


FIG. 5

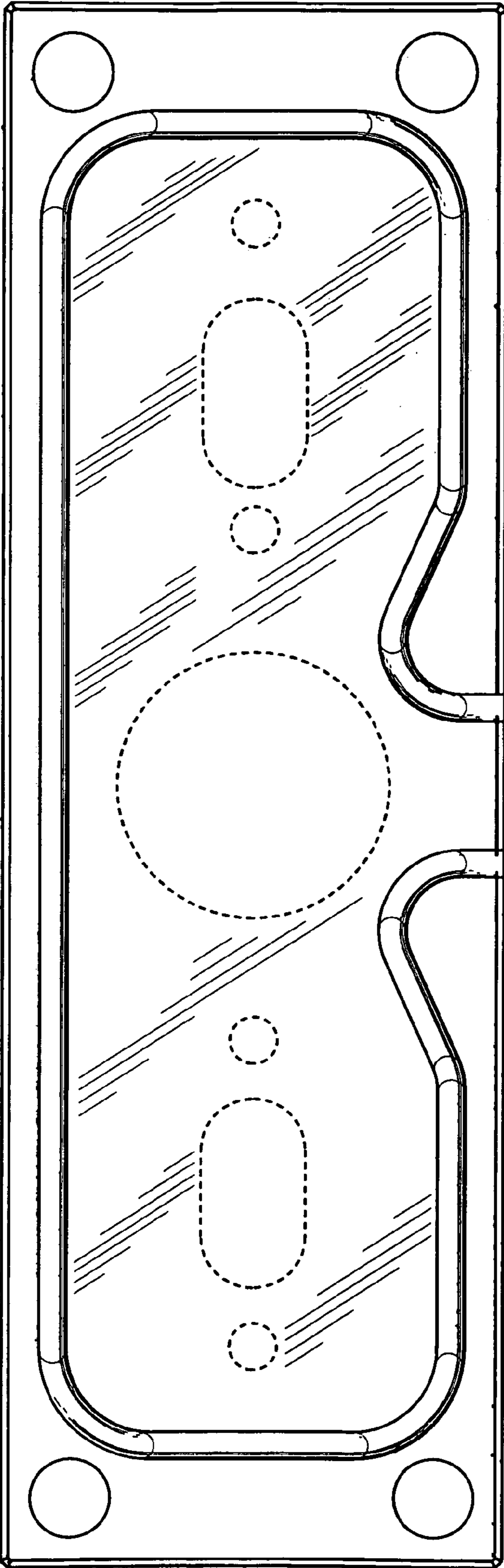


FIG. 6

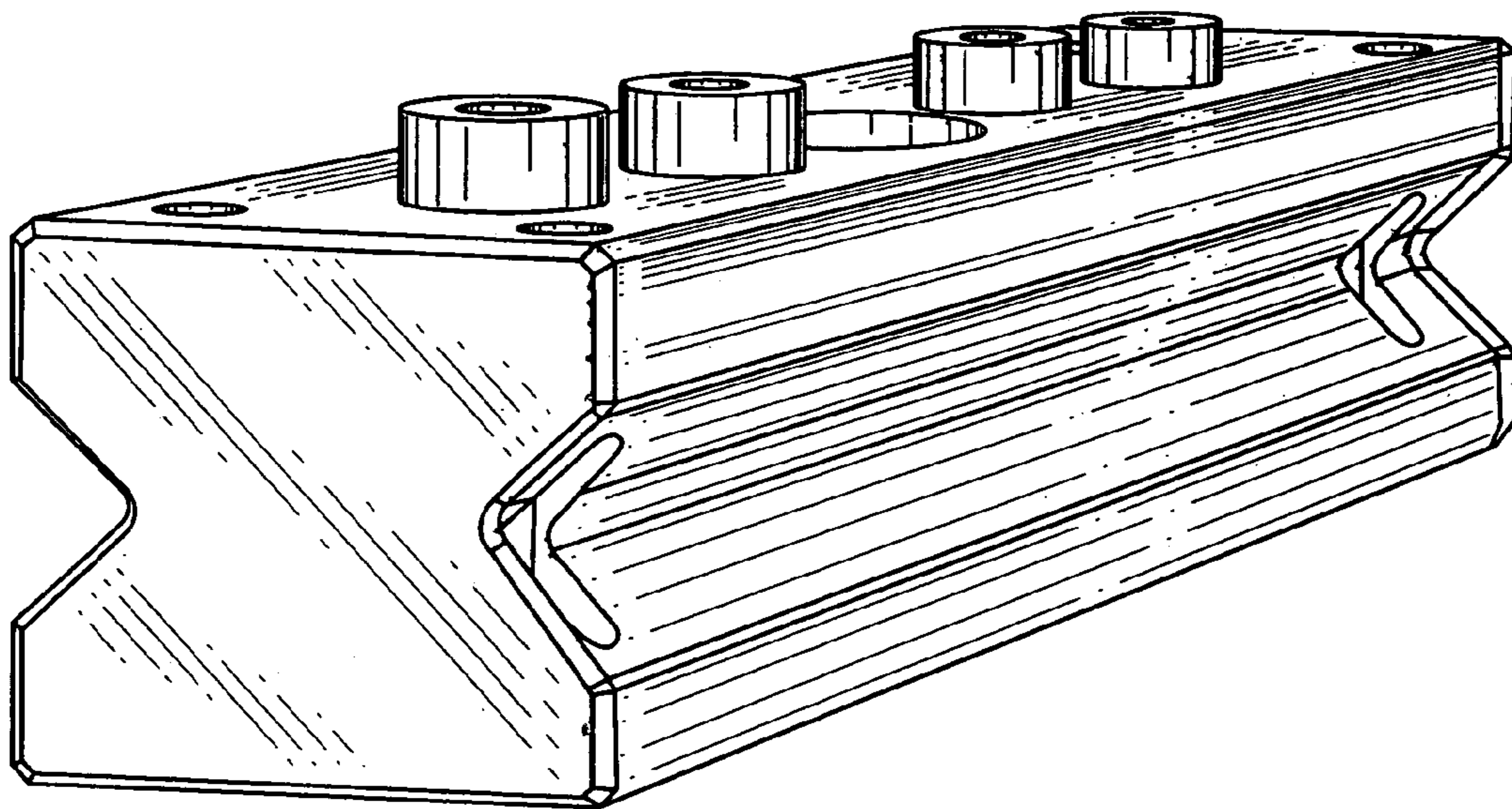


FIG. 7