



US00D580458S

(12) **United States Design Patent**
Woehrle

(10) **Patent No.:** **US D580,458 S**

(45) **Date of Patent:** **** Nov. 11, 2008**

(54) **SEWING MACHINE**

(75) Inventor: **Nikolaus Woehrle**, Antioch, TN (US)

(73) Assignee: **KSIN Luxembourg III, S.ar.l**,
Luxembourg (LU)

(**) Term: **14 Years**

(21) Appl. No.: **29/300,117**

(22) Filed: **Feb. 21, 2008**

(30) **Foreign Application Priority Data**

Dec. 21, 2007 (EM) 000848551-0001

(51) **LOC (8) Cl.** **15-06**

(52) **U.S. Cl.** **D15/70**

(58) **Field of Classification Search** D15/66-71,
D15/77; D21/527; 112/2, 78, 154, 475.01
See application file for complete search history.

(56) **References Cited**

U.S. PATENT DOCUMENTS

D403,333 S *	12/1998	Takada et al.	D15/70
D450,720 S *	11/2001	Kuroki	D15/69
D481,739 S *	11/2003	Iwai	D15/69
D504,692 S *	5/2005	Kuroki	D15/69
D515,110 S *	2/2006	Kuroki	D15/70
D520,027 S *	5/2006	Kuroki	D15/69
D523,876 S *	6/2006	Egami	D15/69
D526,337 S *	8/2006	Kuroki	D15/70
D568,908 S *	5/2008	Gustafsson	D15/70
D569,394 S *	5/2008	Kawaguchi	D15/70

* cited by examiner

Primary Examiner—Stella M. Reid
Assistant Examiner—Shanda C Hill
(74) *Attorney, Agent, or Firm*—Venable LLP; Eric J. Franklin

(57) **CLAIM**

The ornamental design for a sewing machine, as shown and described.

DESCRIPTION

FIG. 1 is a perspective view of an embodiment of a sewing machine showing my new design;

FIG. 2 is a front view thereof;

FIG. 3 is a rear view thereof;

FIG. 4 is a left side view thereof;

FIG. 5 is a right side view thereof;

FIG. 6 is a top view thereof;

FIG. 7 is a bottom view thereof;

FIG. 8 is a perspective view of another embodiment of a sewing machine showing my new design;

FIG. 9 is a front view thereof;

FIG. 10 is a rear view thereof;

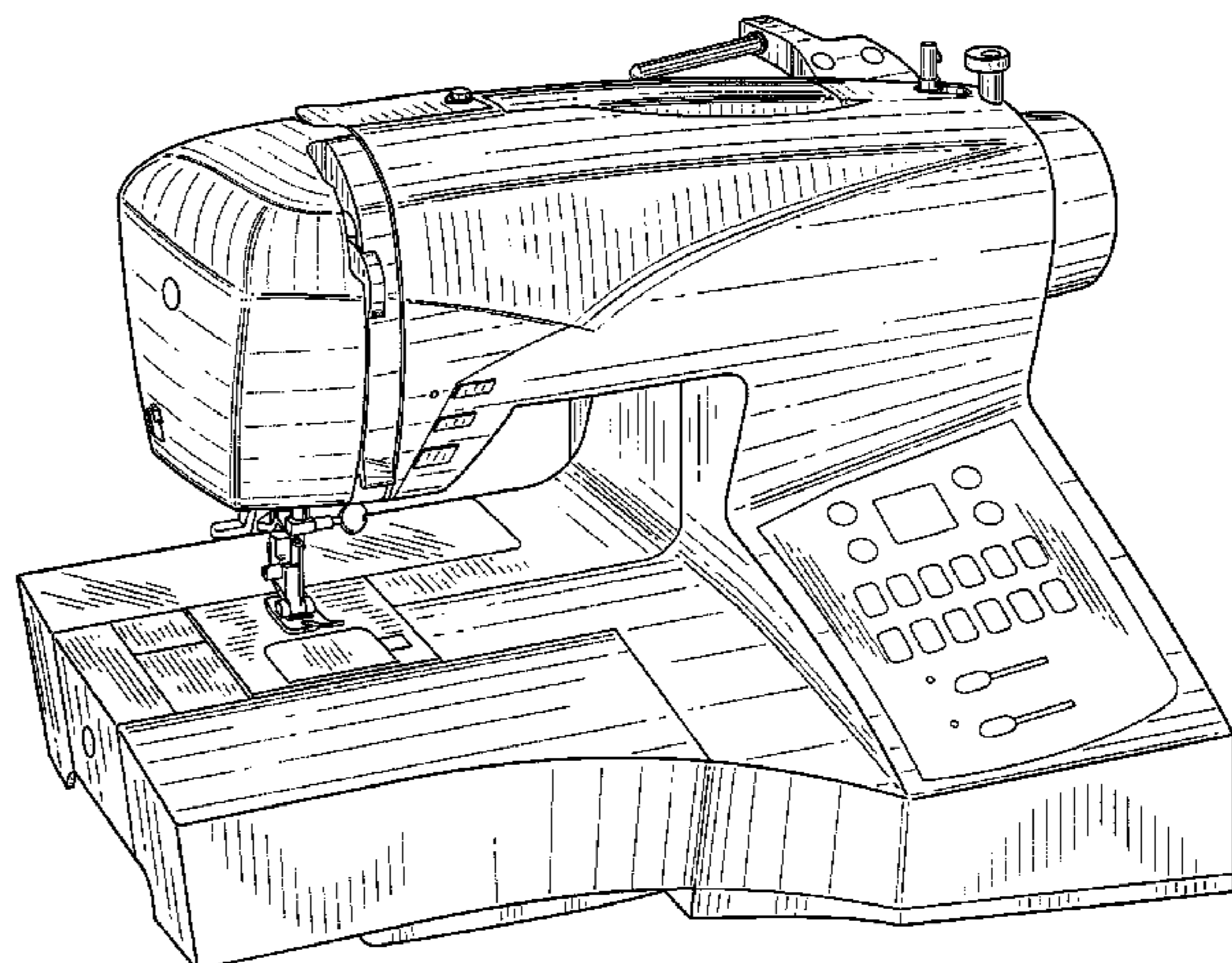
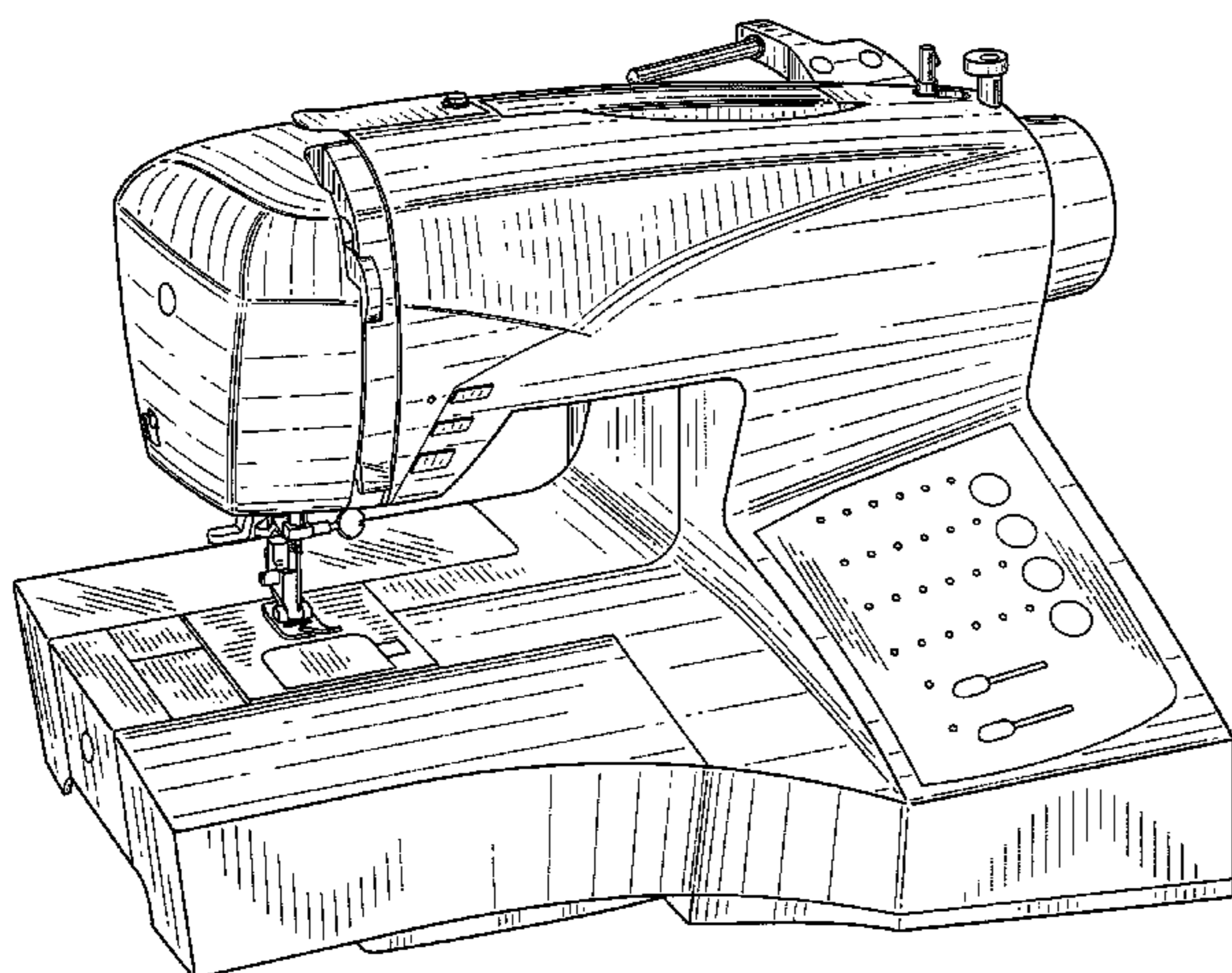
FIG. 11 is a left side view thereof;

FIG. 12 is a right side view thereof;

FIG. 13 is a top view thereof; and,

FIG. 14 is a bottom view thereof.

1 Claim, 14 Drawing Sheets



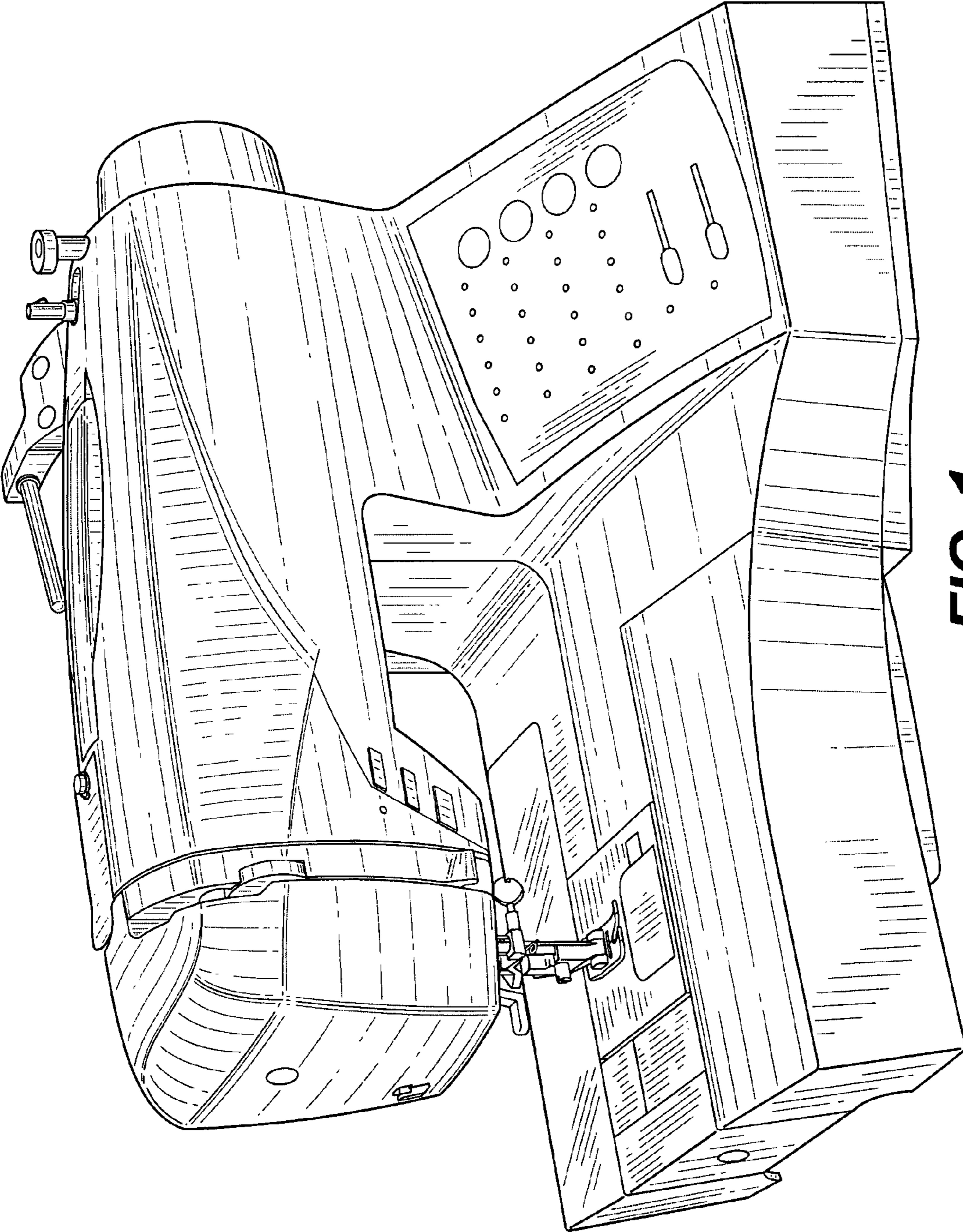


FIG. 1

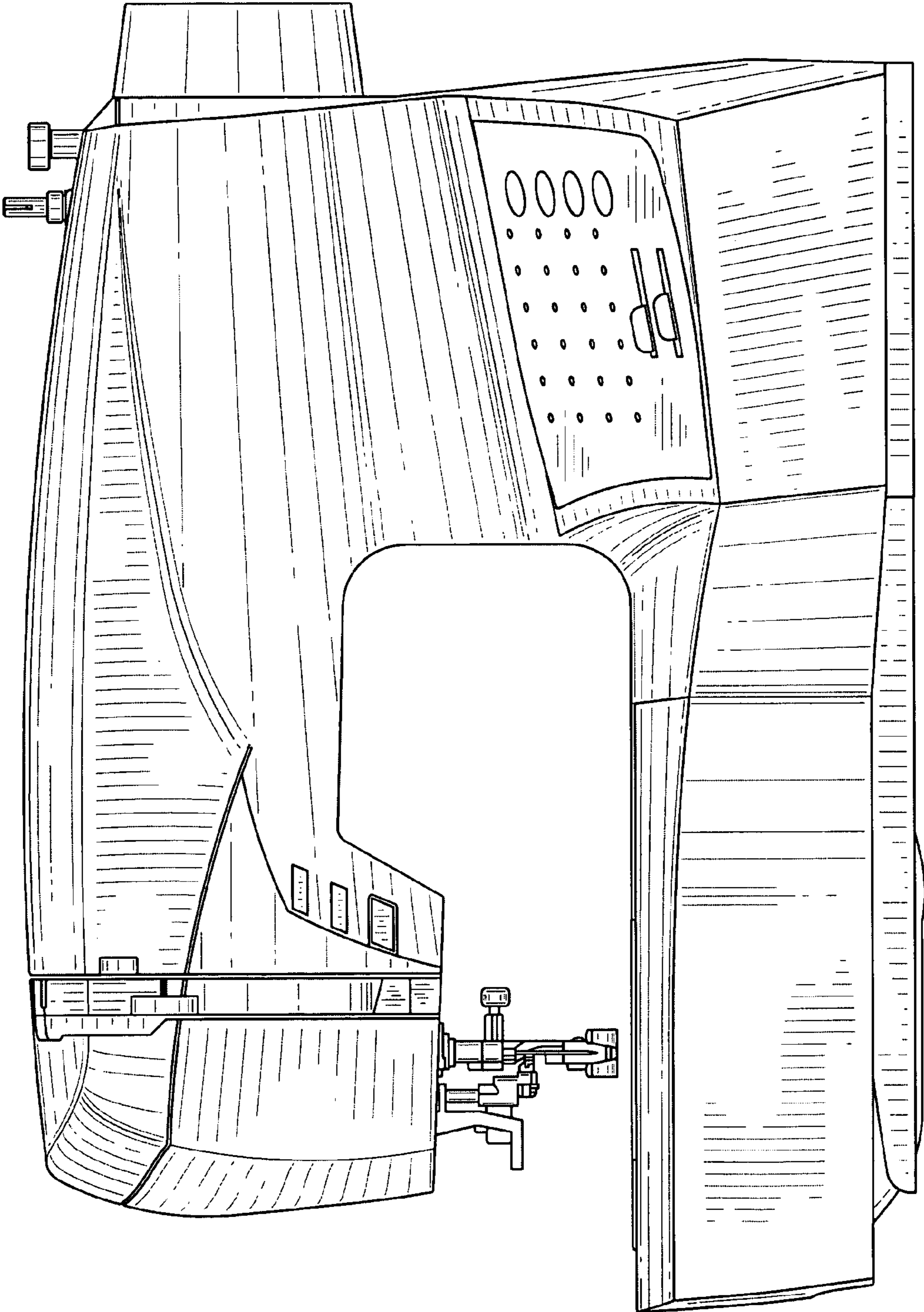


FIG. 2

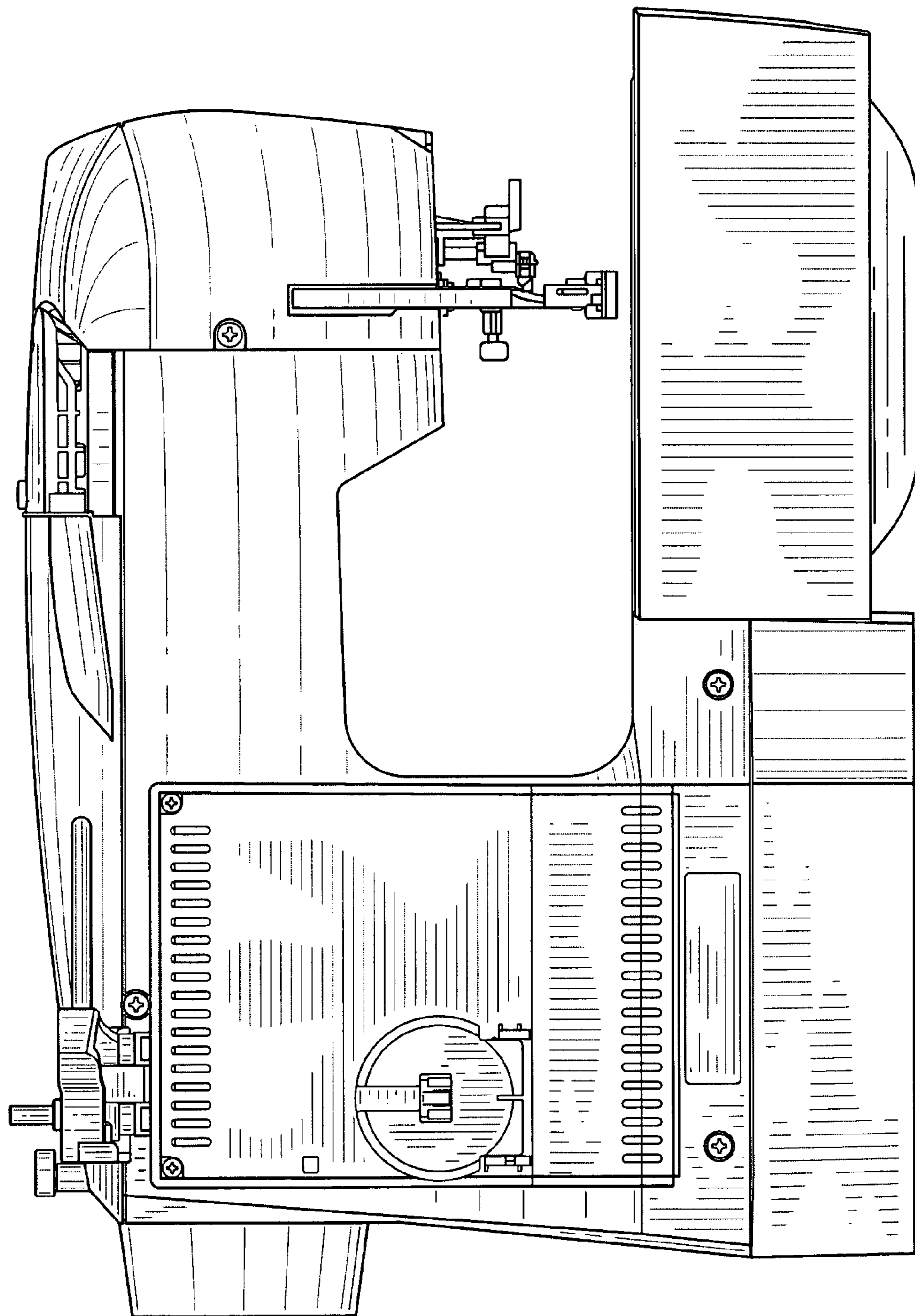


FIG. 3

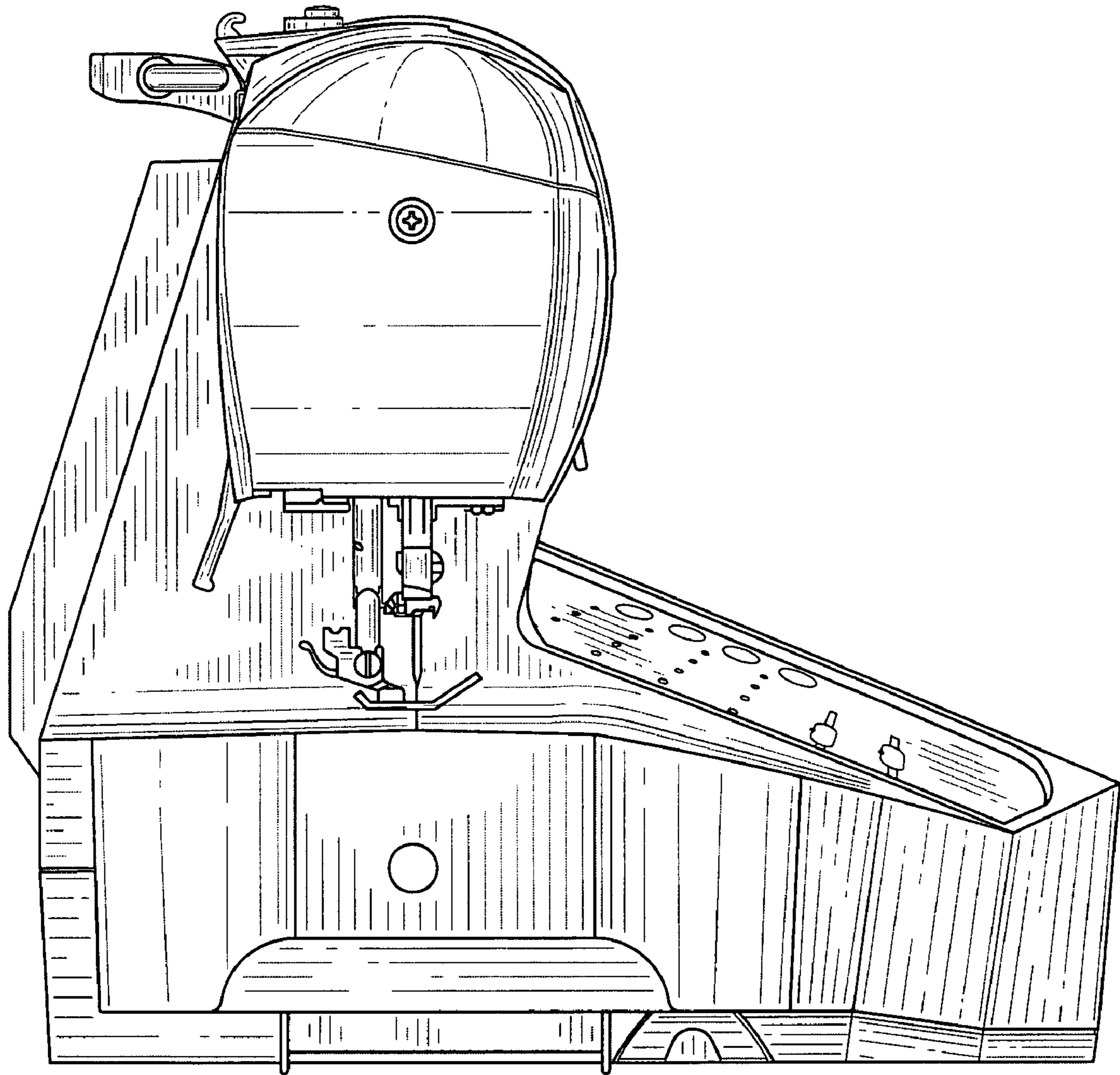


FIG. 4

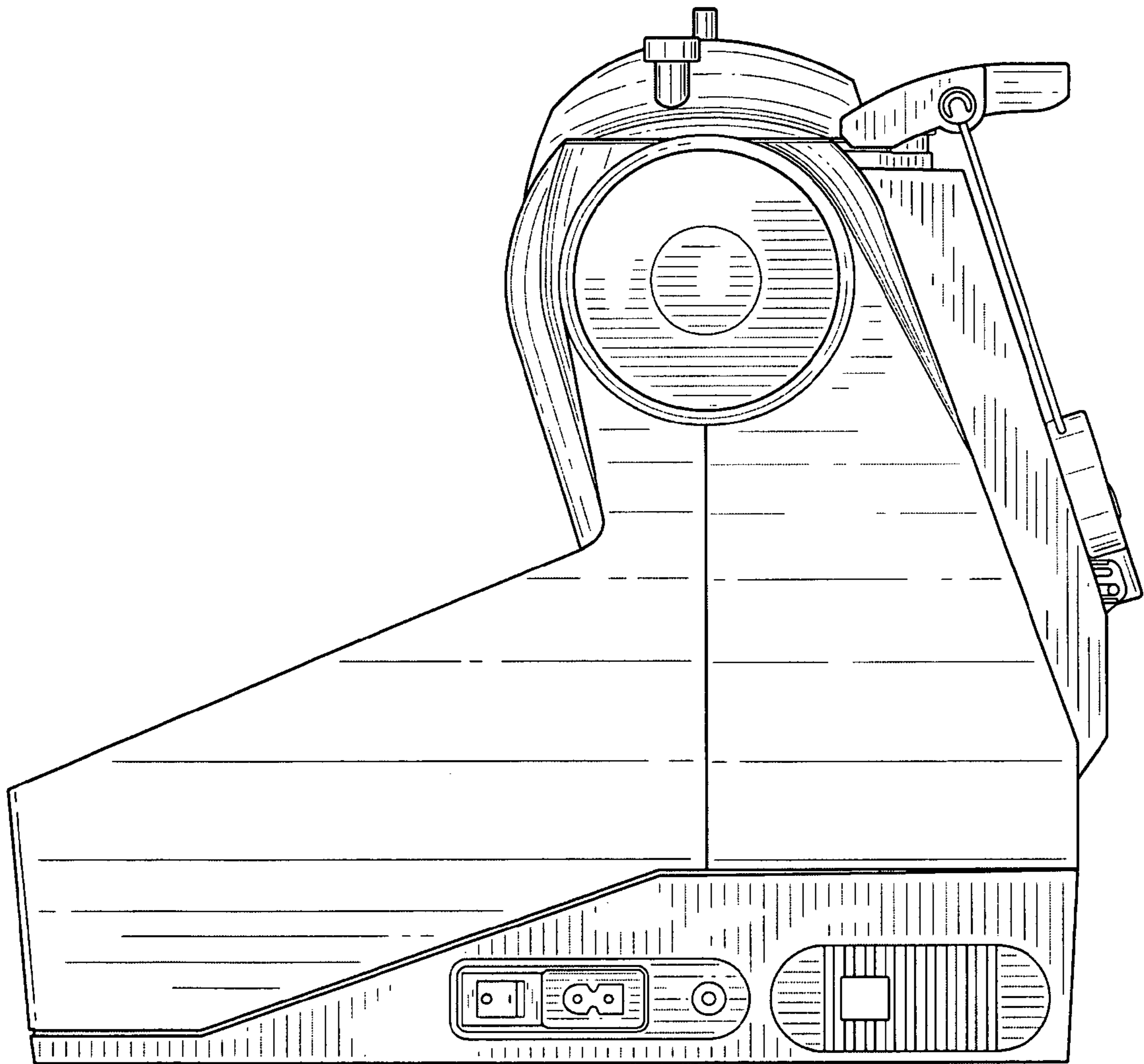


FIG. 5

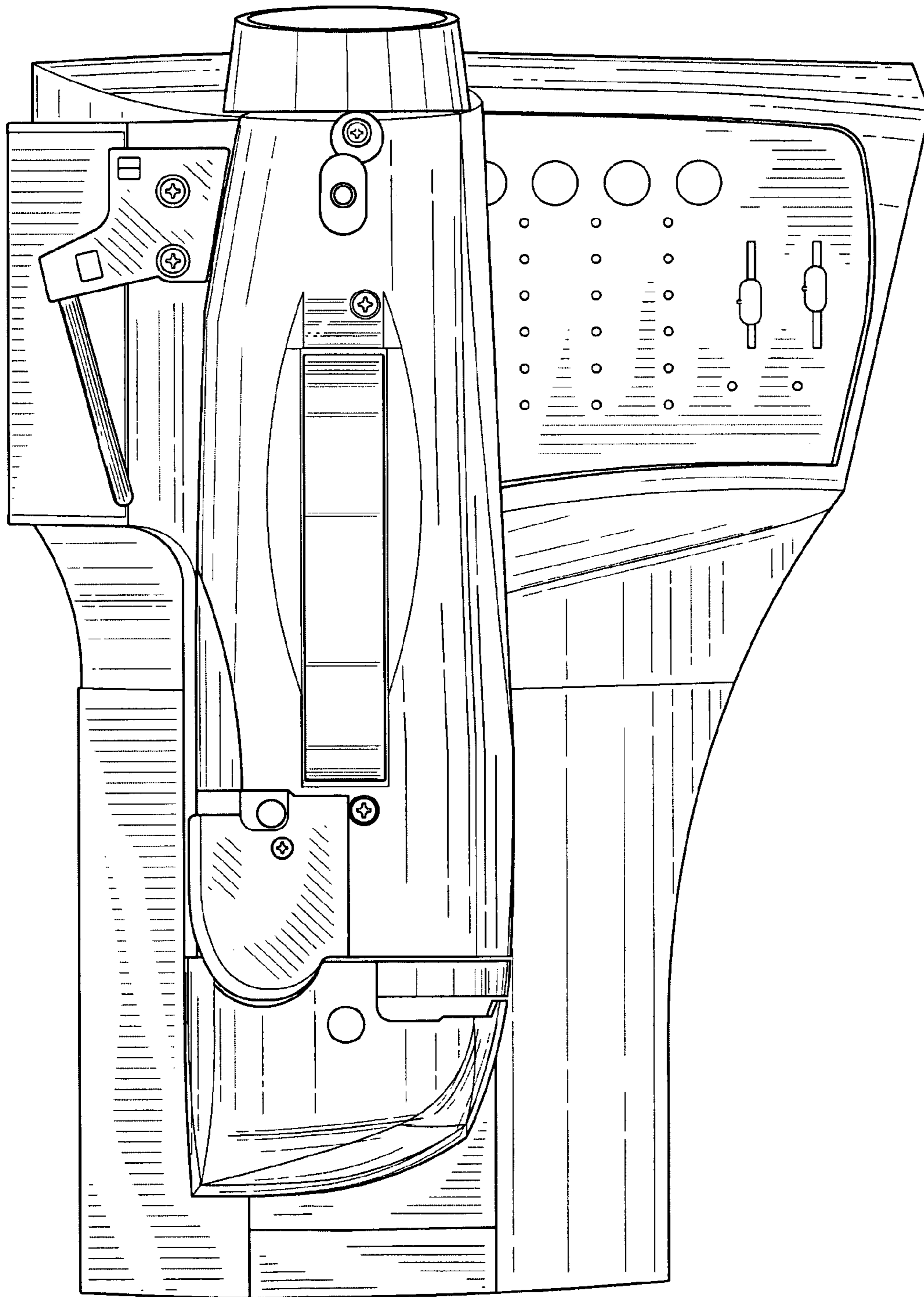


FIG. 6

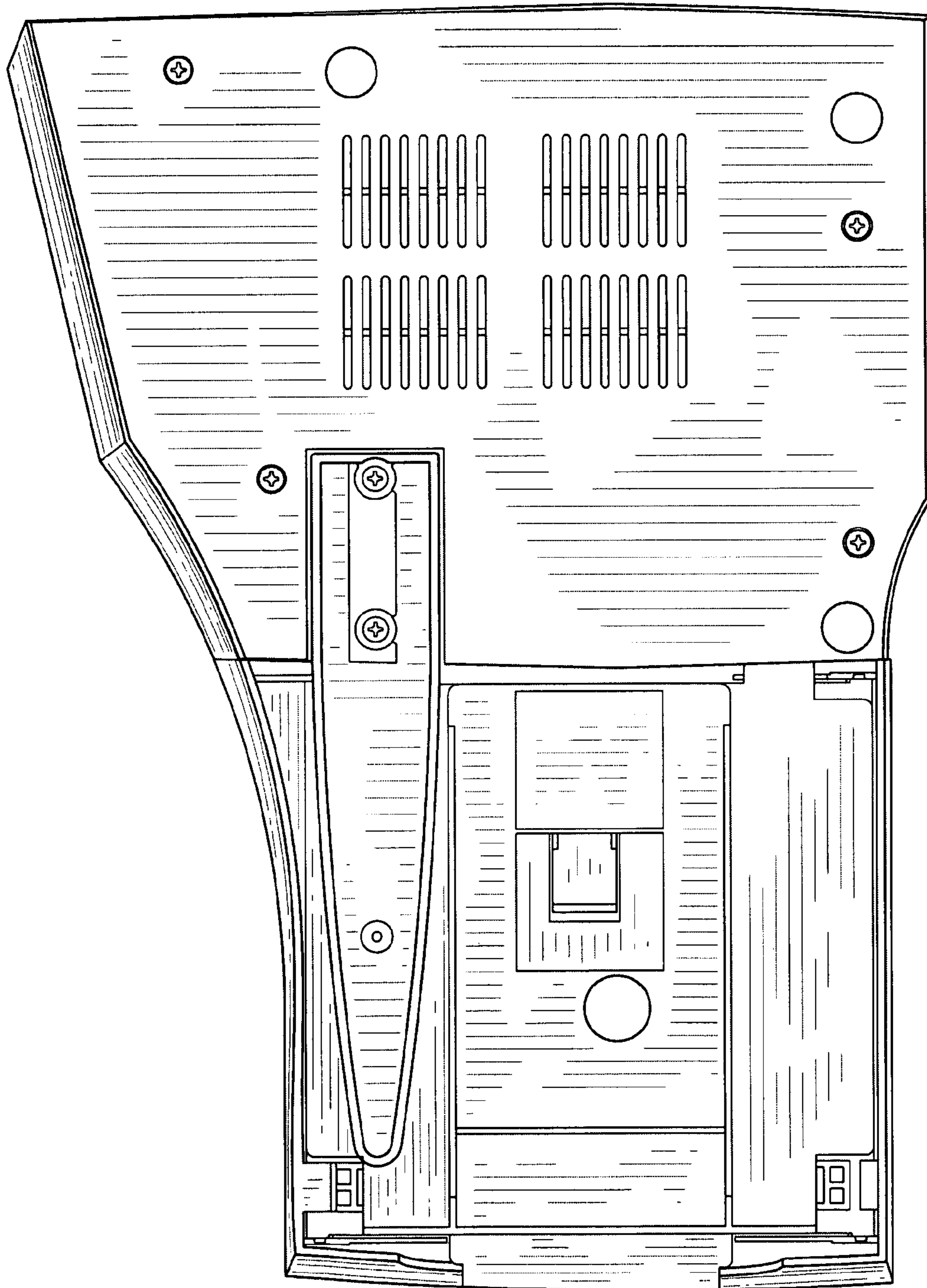


FIG. 7

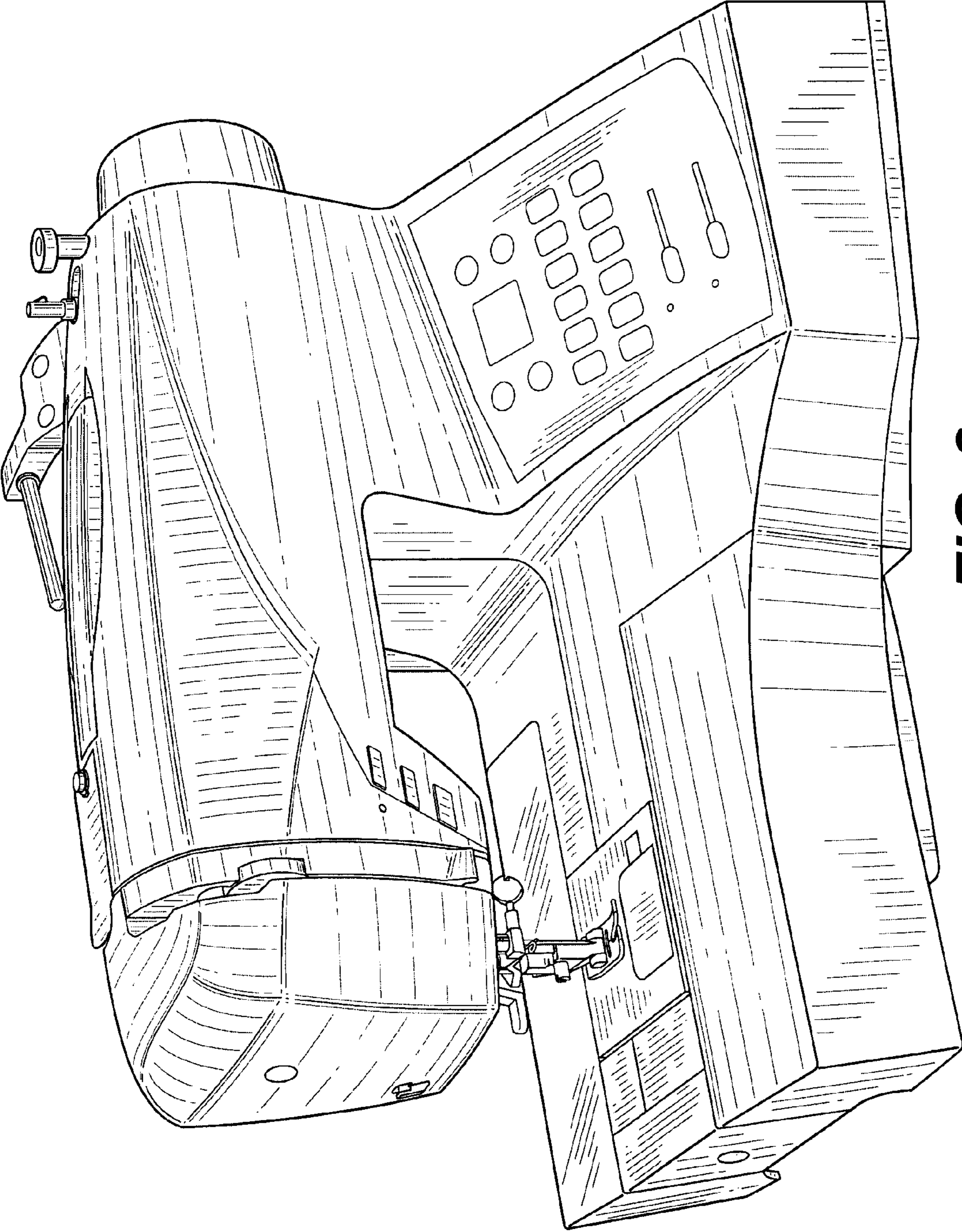


FIG. 8

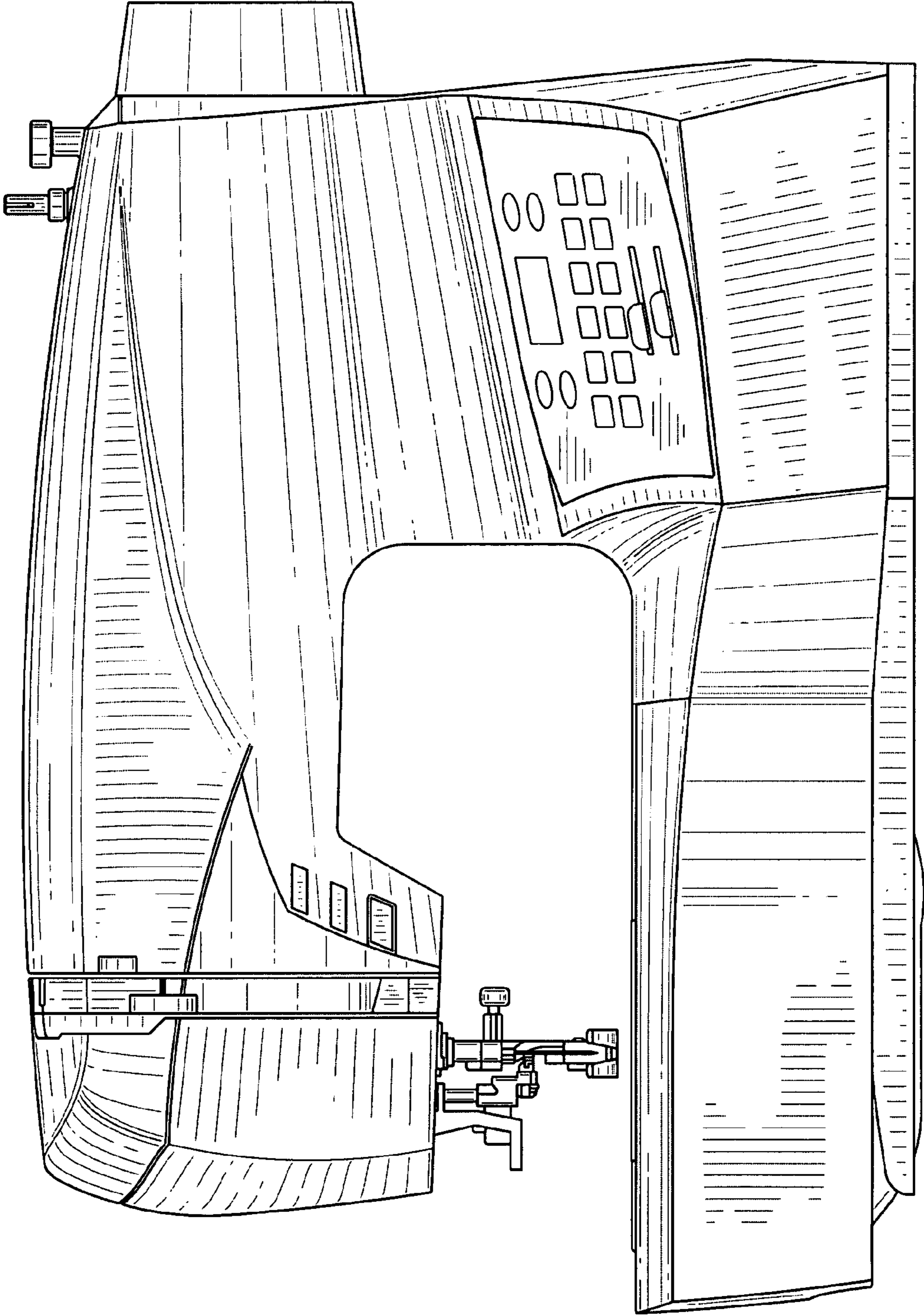


FIG. 9

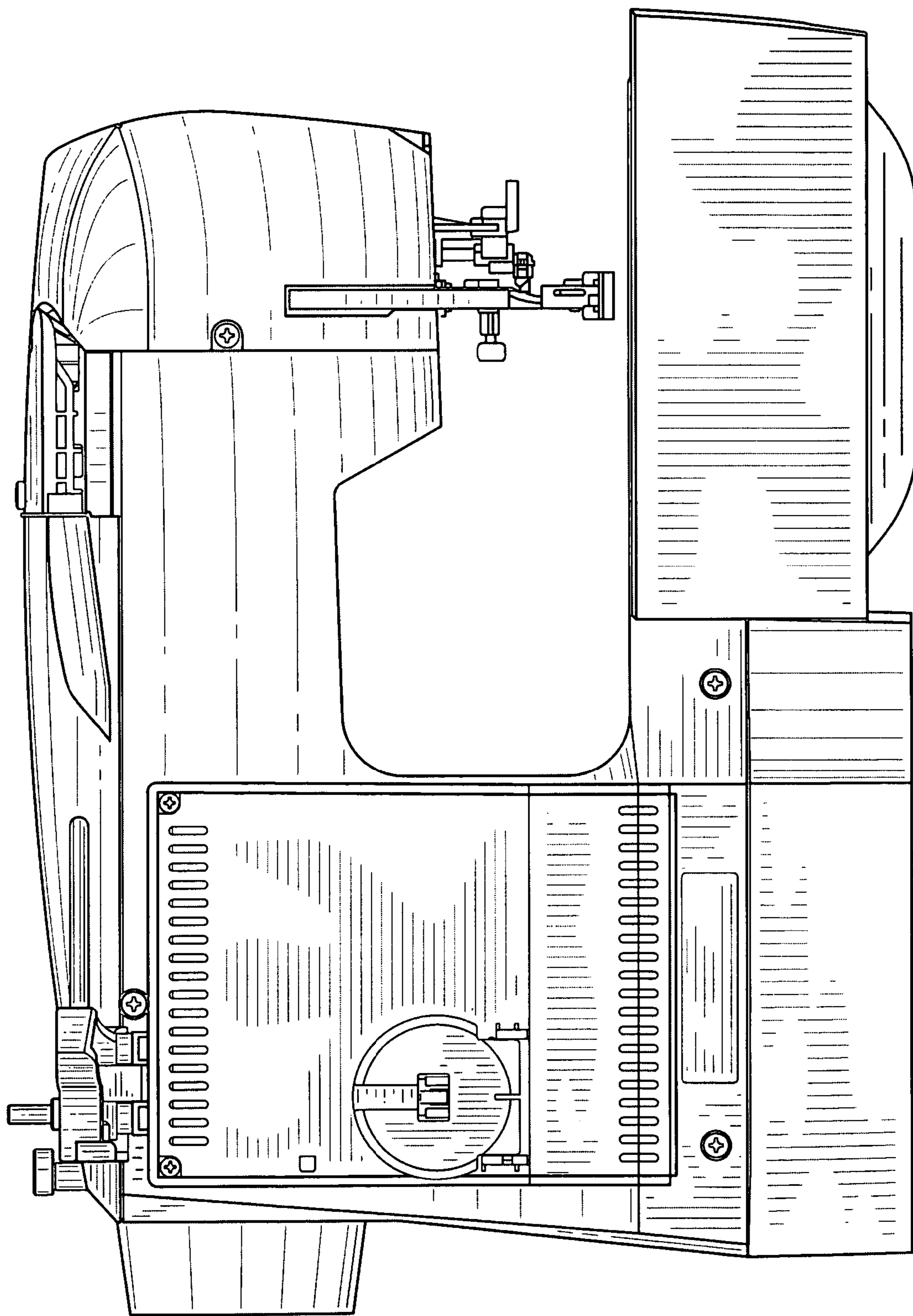


FIG. 10

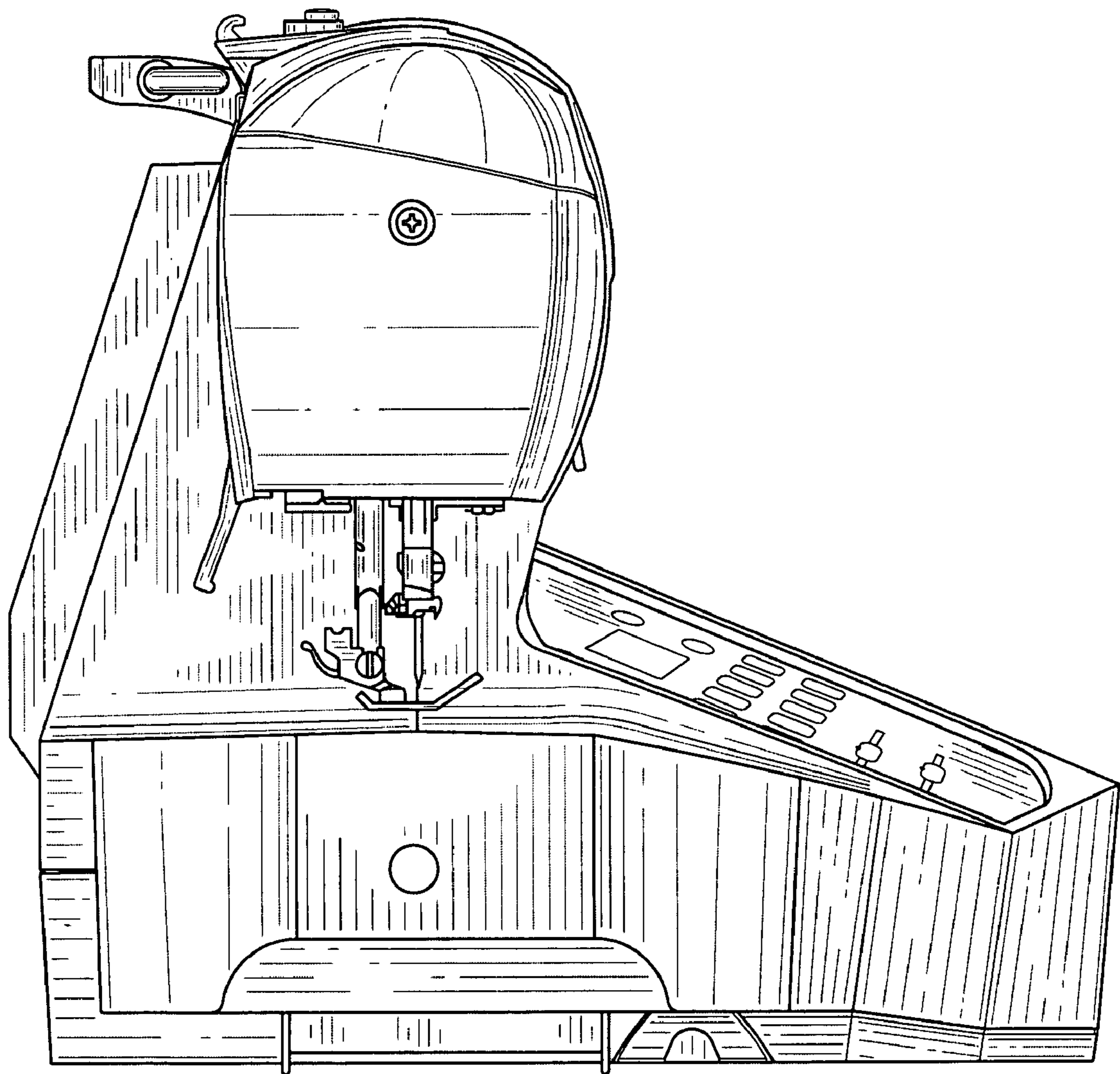


FIG. 11

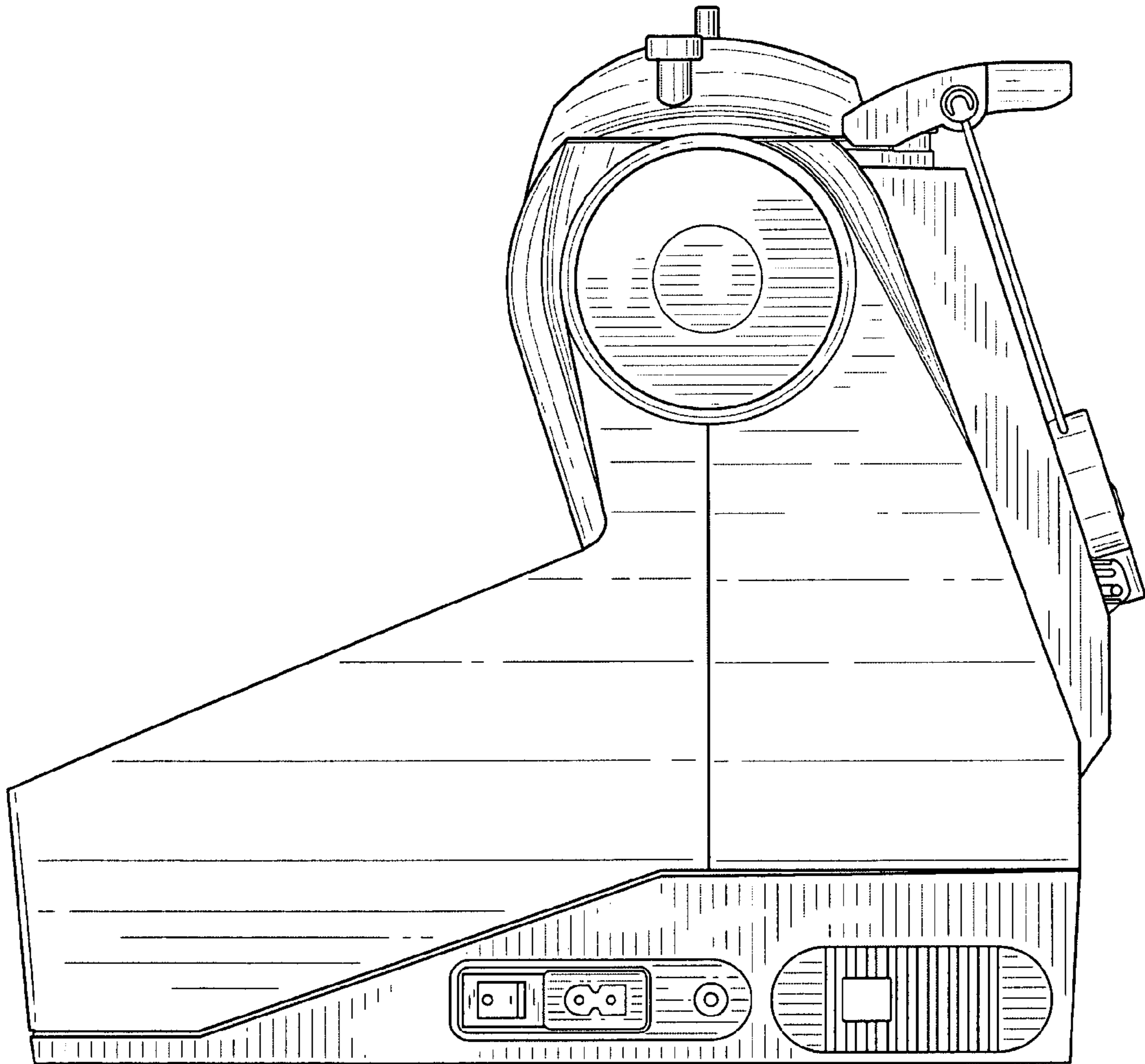


FIG. 12

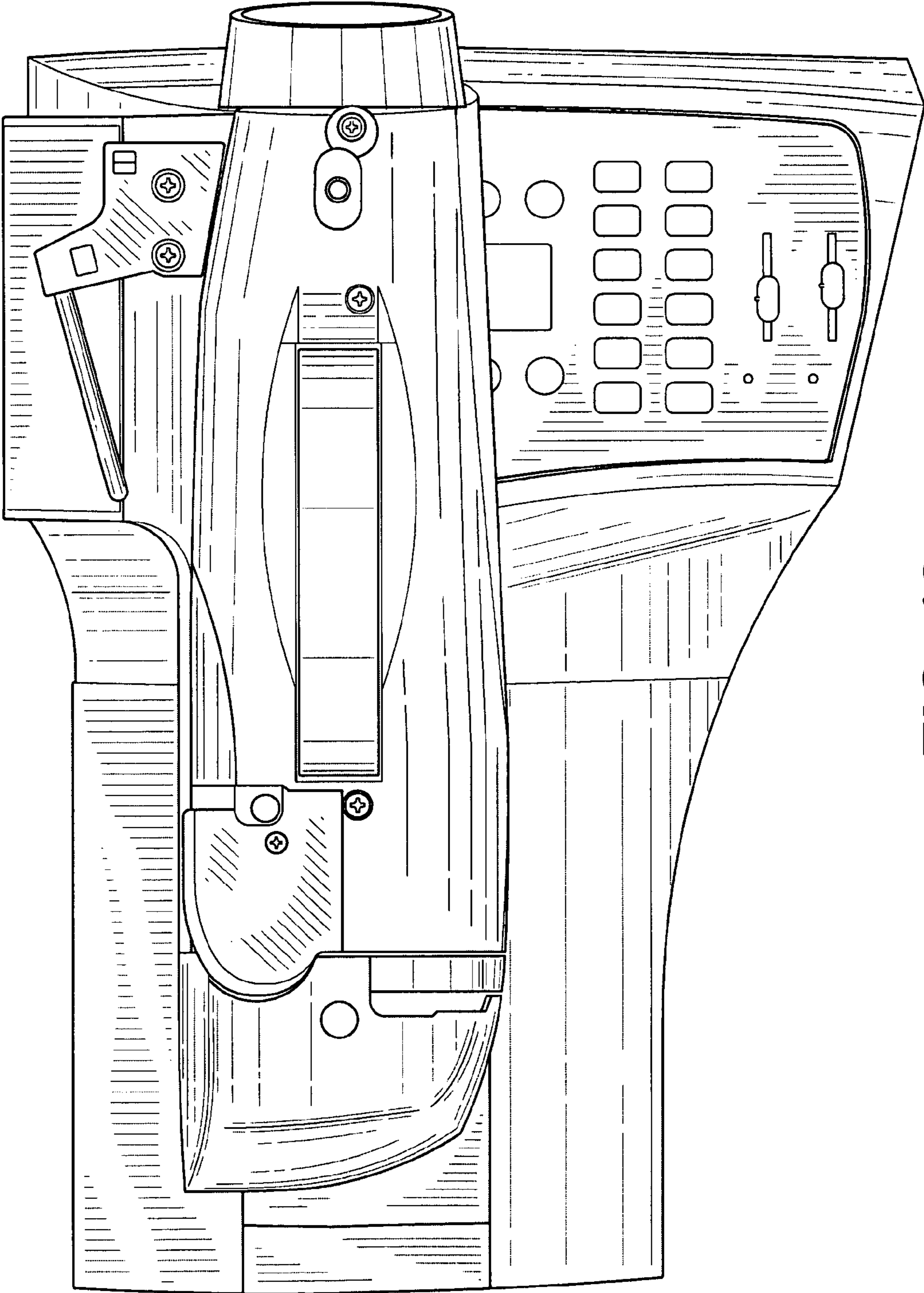


FIG. 13

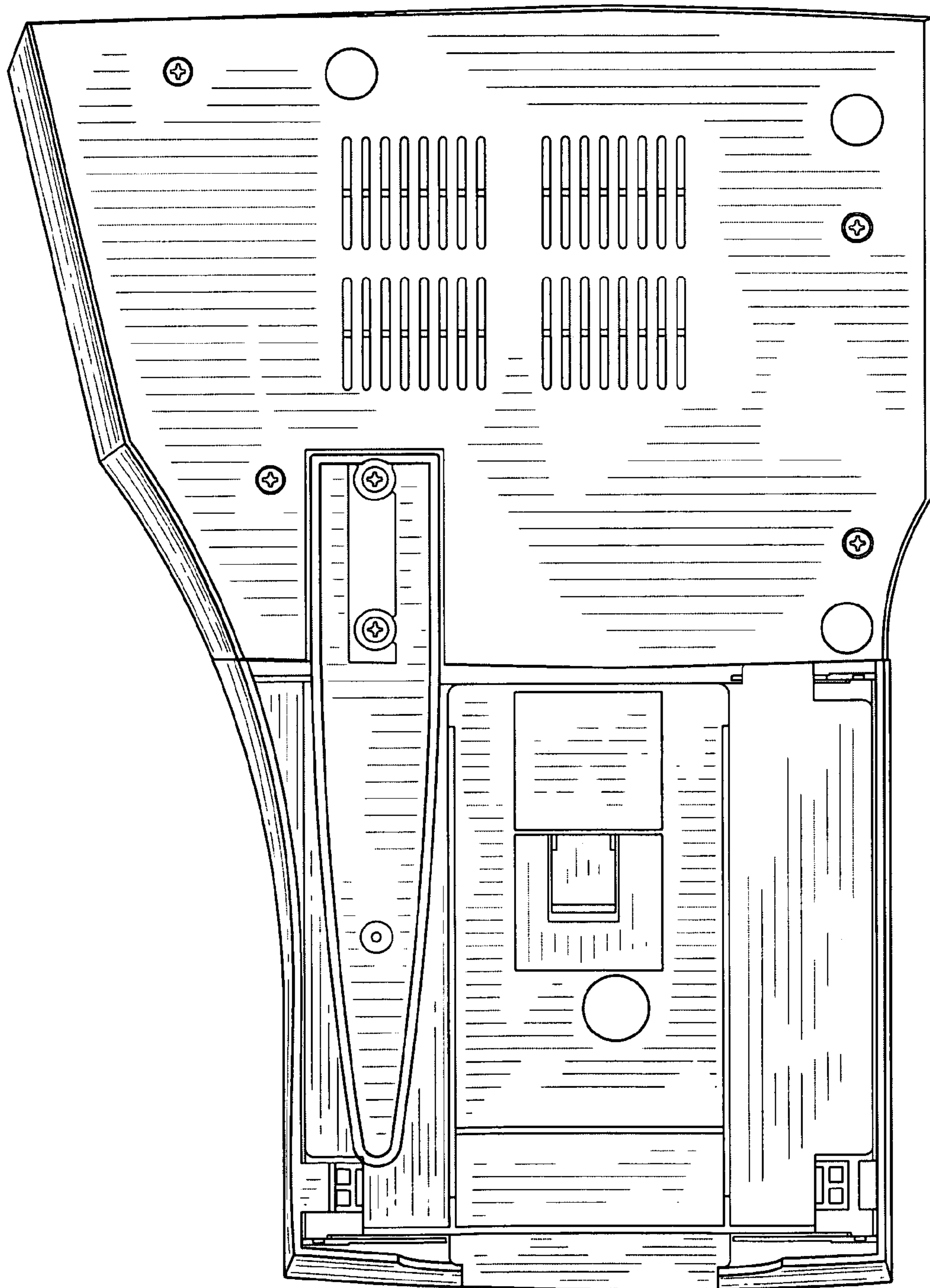


FIG. 14