



US00D580457S

(12) **United States Design Patent**
Bender

(10) **Patent No.:** **US D580,457 S**

(45) **Date of Patent:** **** Nov. 11, 2008**

(54) **ENGINE INTAKE MANIFOLD**

(75) Inventor: **Lee F. Bender**, Huntsville, AL (US)

(73) Assignee: **C & L Performance, Inc.**, Huntsville, AL (US)

(**) Term: **14 Years**

(21) Appl. No.: **29/288,457**

(22) Filed: **Jun. 12, 2007**

(51) **LOC (8) Cl.** **15-01**

(52) **U.S. Cl.** **D15/5**

(58) **Field of Classification Search** D15/5;
123/41.73, 210, 41.7, 184.21, 184.61, 185.53,
123/184.57, 41.1, 572, 184.36, 184.25, 185.35,
123/184.34, 184.43, 184.48

See application file for complete search history.

(56) **References Cited**

U.S. PATENT DOCUMENTS

4,805,564	A *	2/1989	Hudson, Jr.	123/184.42
4,957,071	A *	9/1990	Matsuo et al.	123/184.36
5,016,578	A *	5/1991	Ogawa et al.	123/184.34
D376,602	S *	12/1996	Yamanaka et al.	D15/5
D405,095	S *	2/1999	Wada	D15/5
6,802,292	B2 *	10/2004	Nelson et al.	123/184.36
6,805,089	B2 *	10/2004	Kemper et al.	123/184.61
D517,567	S *	3/2006	Teeter	D15/5
7,174,873	B2 *	2/2007	Uematsu	123/184.61
7,290,519	B2 *	11/2007	Ohba et al.	123/198 E

2003/0221651	A1 *	12/2003	Ito et al.	123/184.61
2005/0076892	A1 *	4/2005	Nakamura et al.	123/572
2006/0254552	A1 *	11/2006	Brachos et al.	123/184.46

* cited by examiner

Primary Examiner—Ian Simmons

Assistant Examiner—Wan Laymon

(74) *Attorney, Agent, or Firm*—Lanier Ford Shaver & Payne P.C.; George P. Kobler

(57) **CLAIM**

The ornamental design for an engine intake manifold, as shown and described.

DESCRIPTION

FIG. 1 is a front perspective view of a first side of the engine intake manifold;

FIG. 2 is a rear perspective view of the same side as that shown in FIG. 1 of the engine intake manifold;

FIG. 3 is a top plan view of the engine intake manifold;

FIG. 4 is an elevational view of the right side of the engine intake manifold shown in FIG. 3;

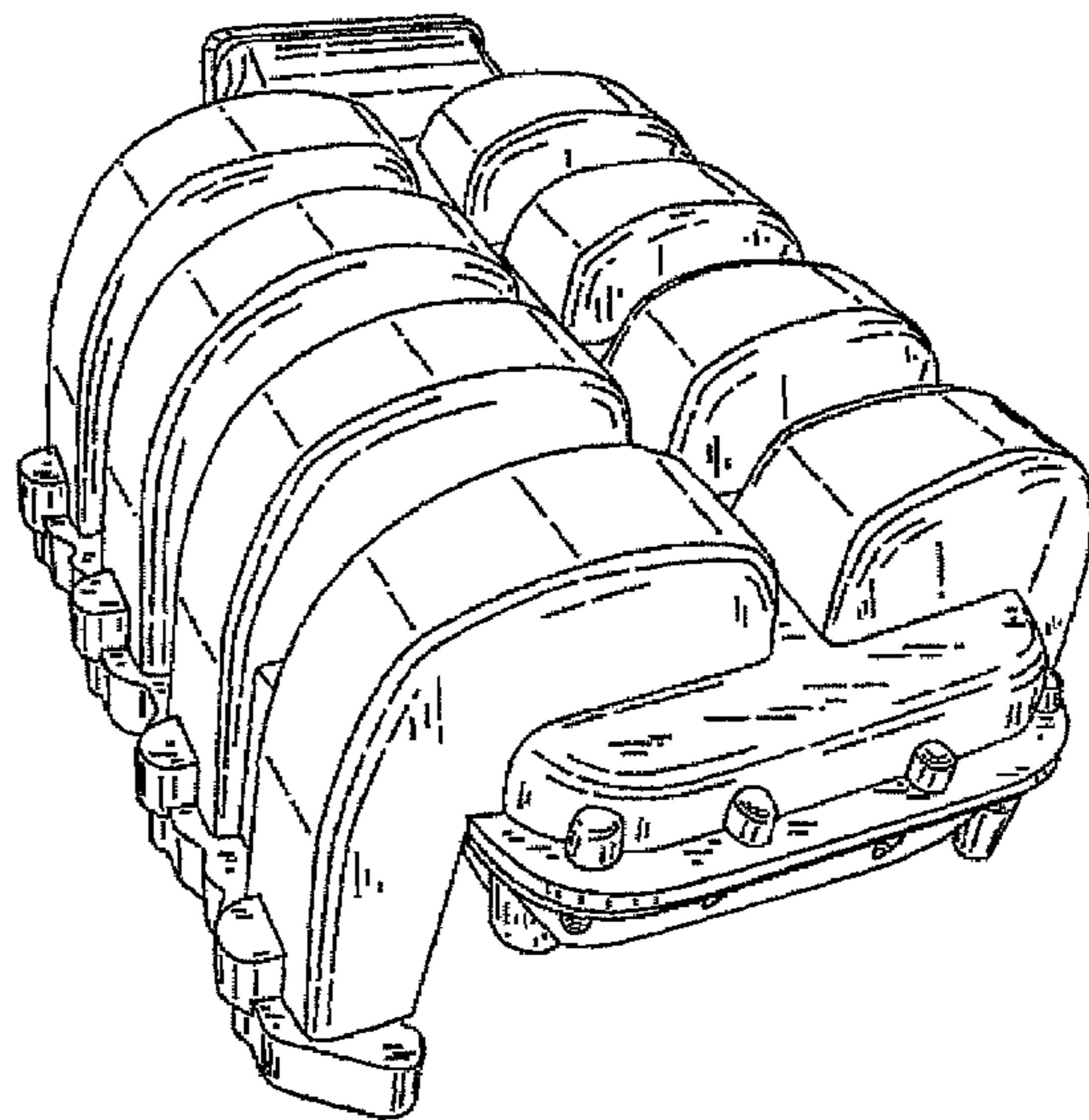
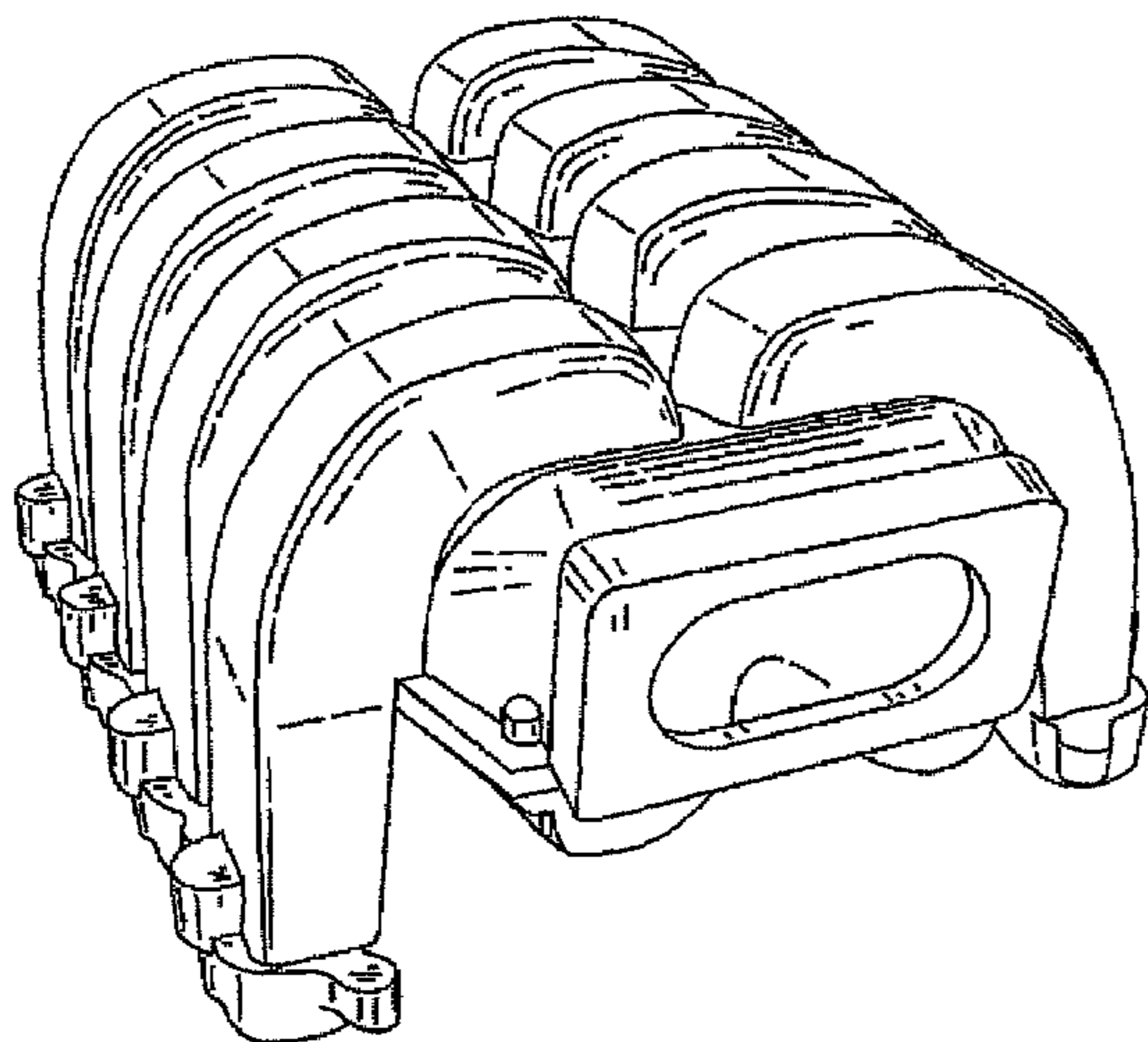
FIG. 5 front elevational view of the engine intake manifold;

FIG. 6 an elevational view of the left side of the engine intake manifold shown in FIG. 3;

FIG. 7 is a rear elevational view of the engine intake manifold; and,

FIG. 8 is a bottom plan view of the engine intake manifold.

1 Claim, 4 Drawing Sheets



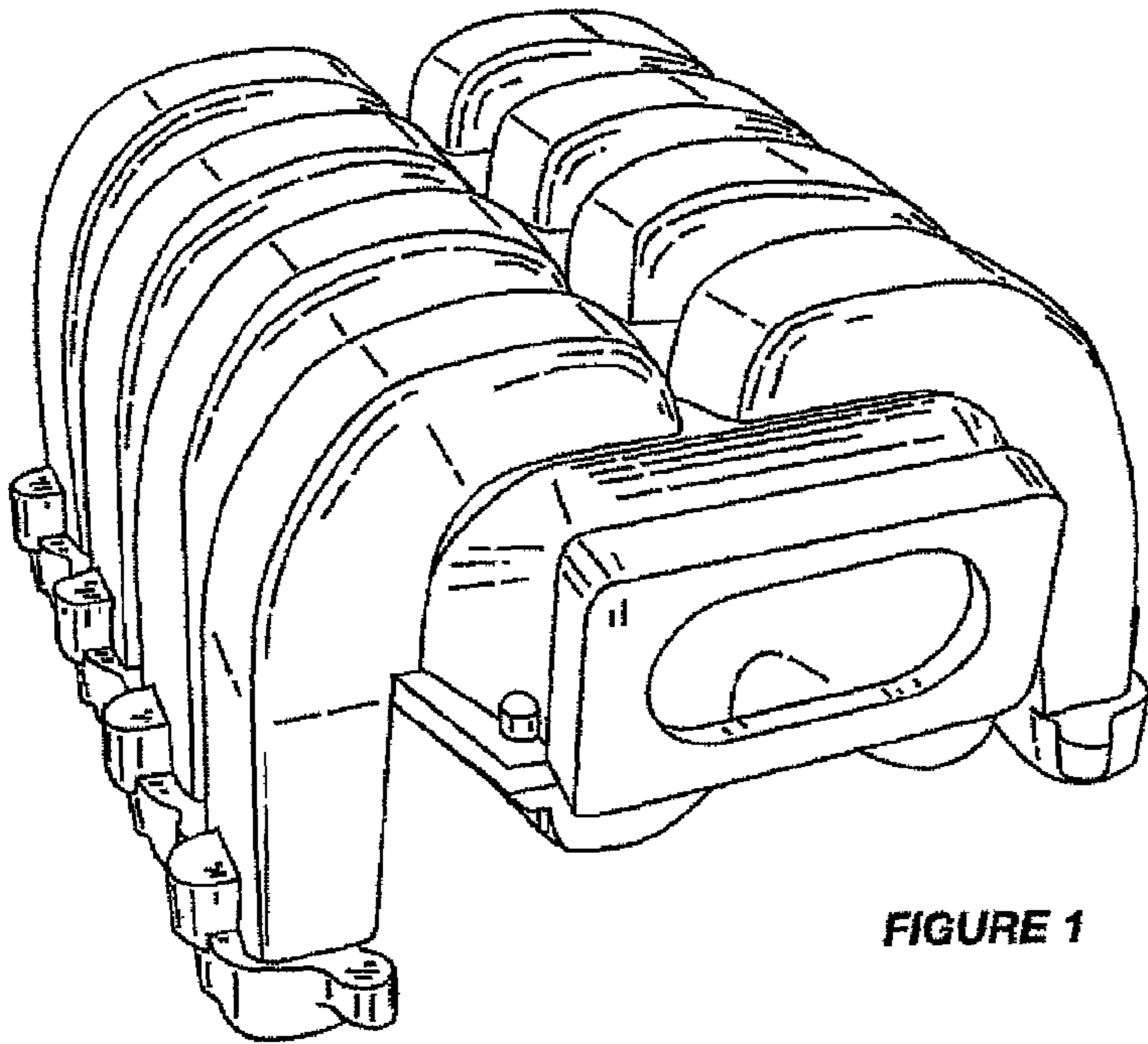


FIGURE 1

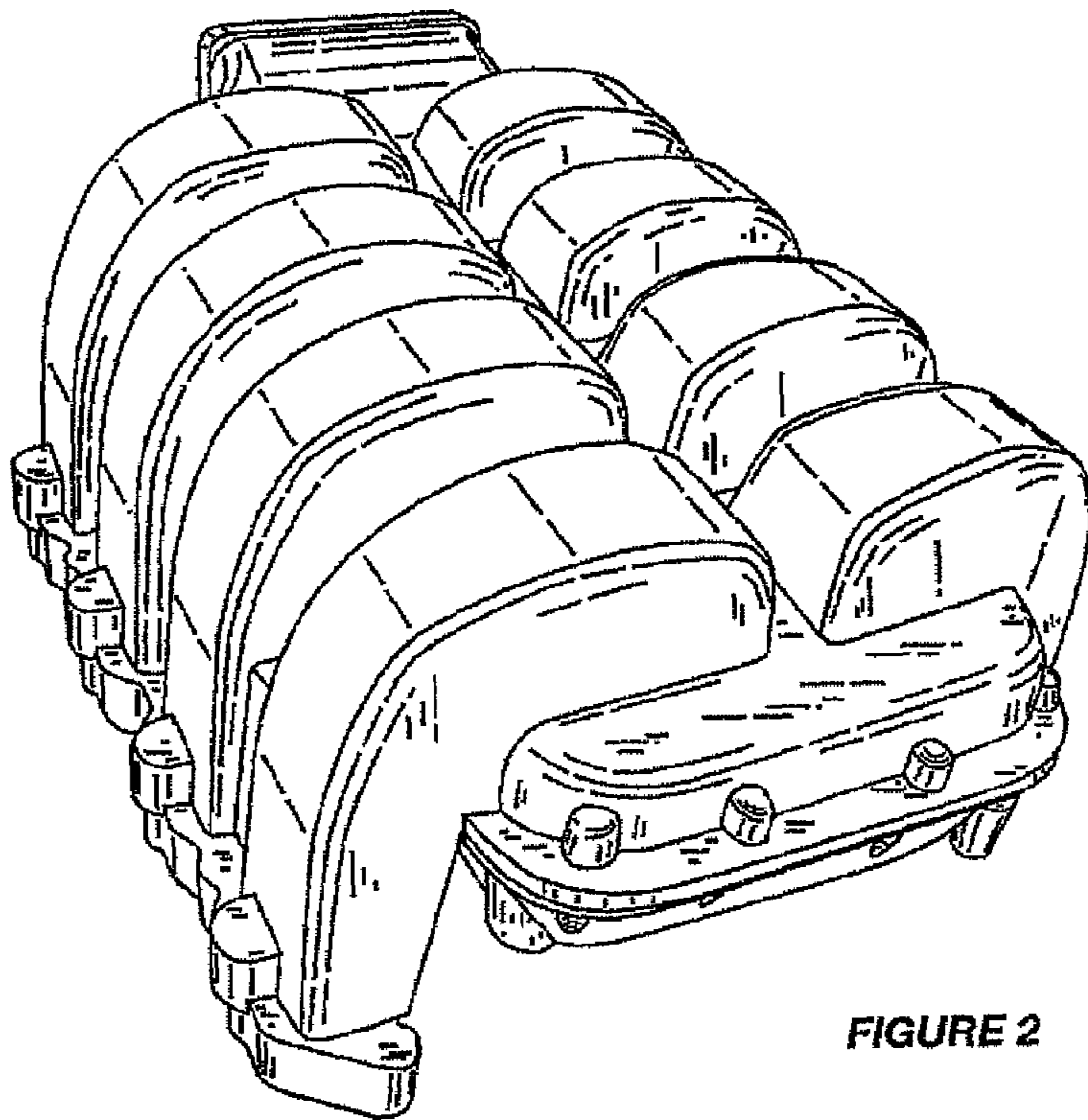


FIGURE 2

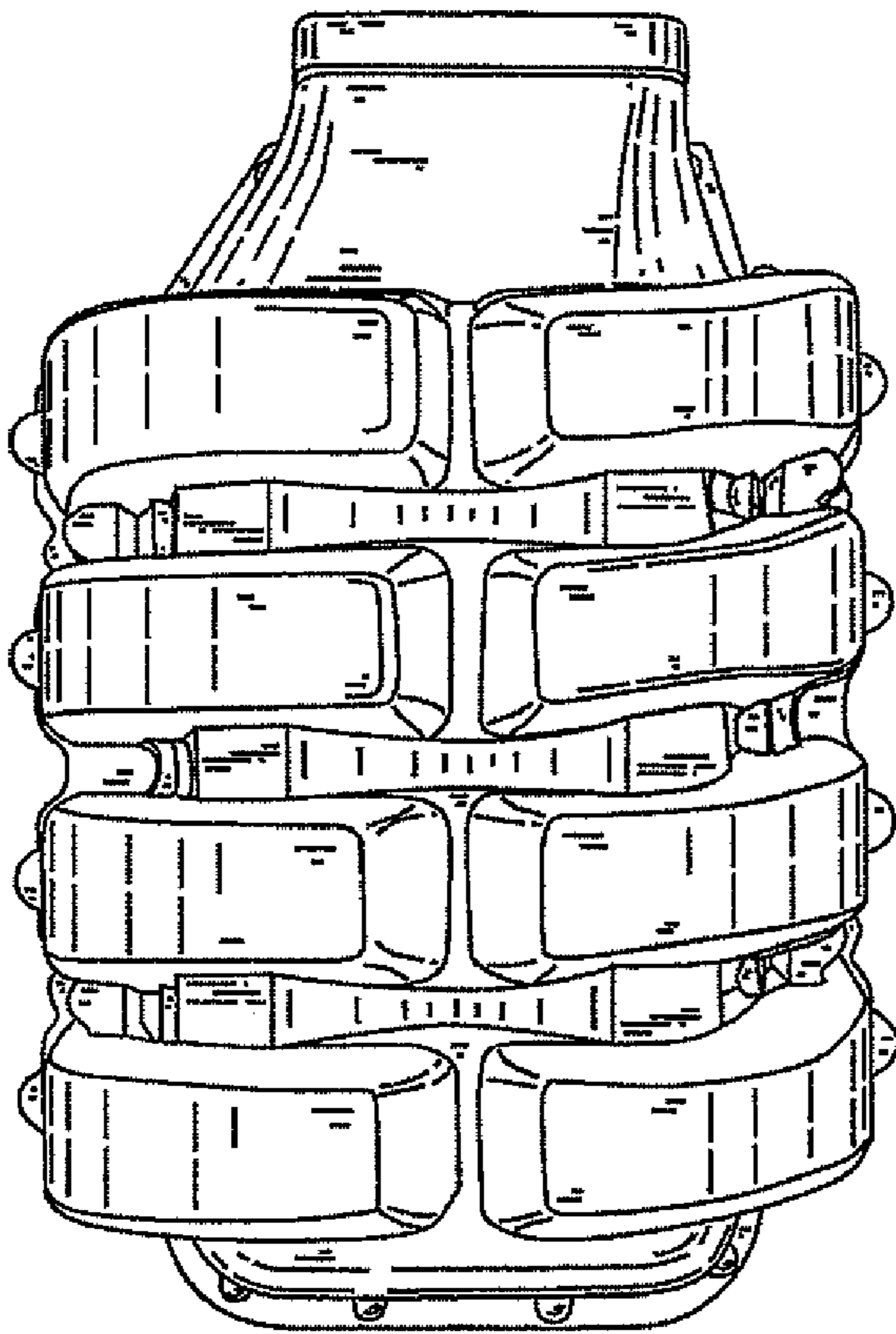


FIGURE 3

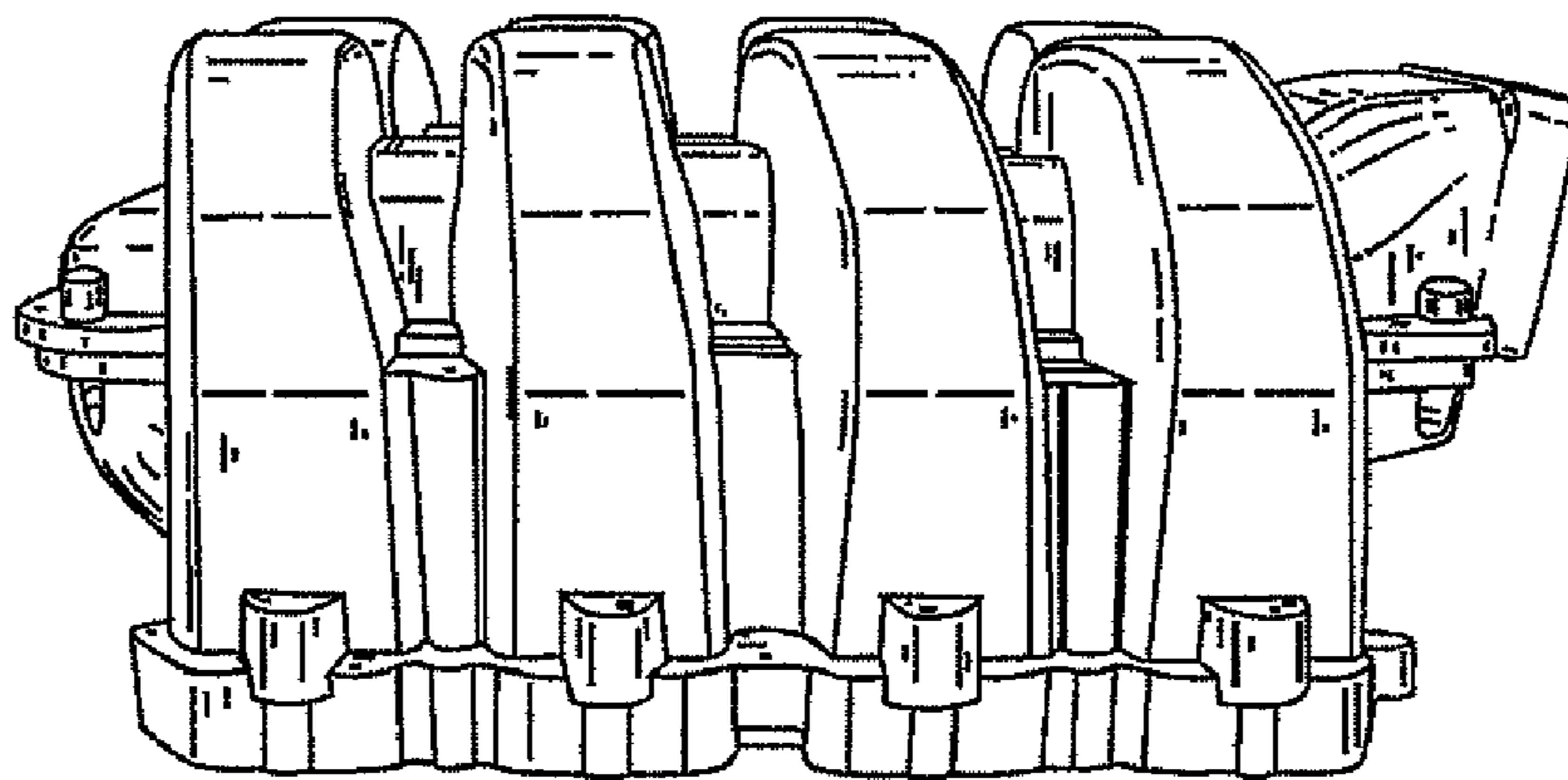


FIGURE 4

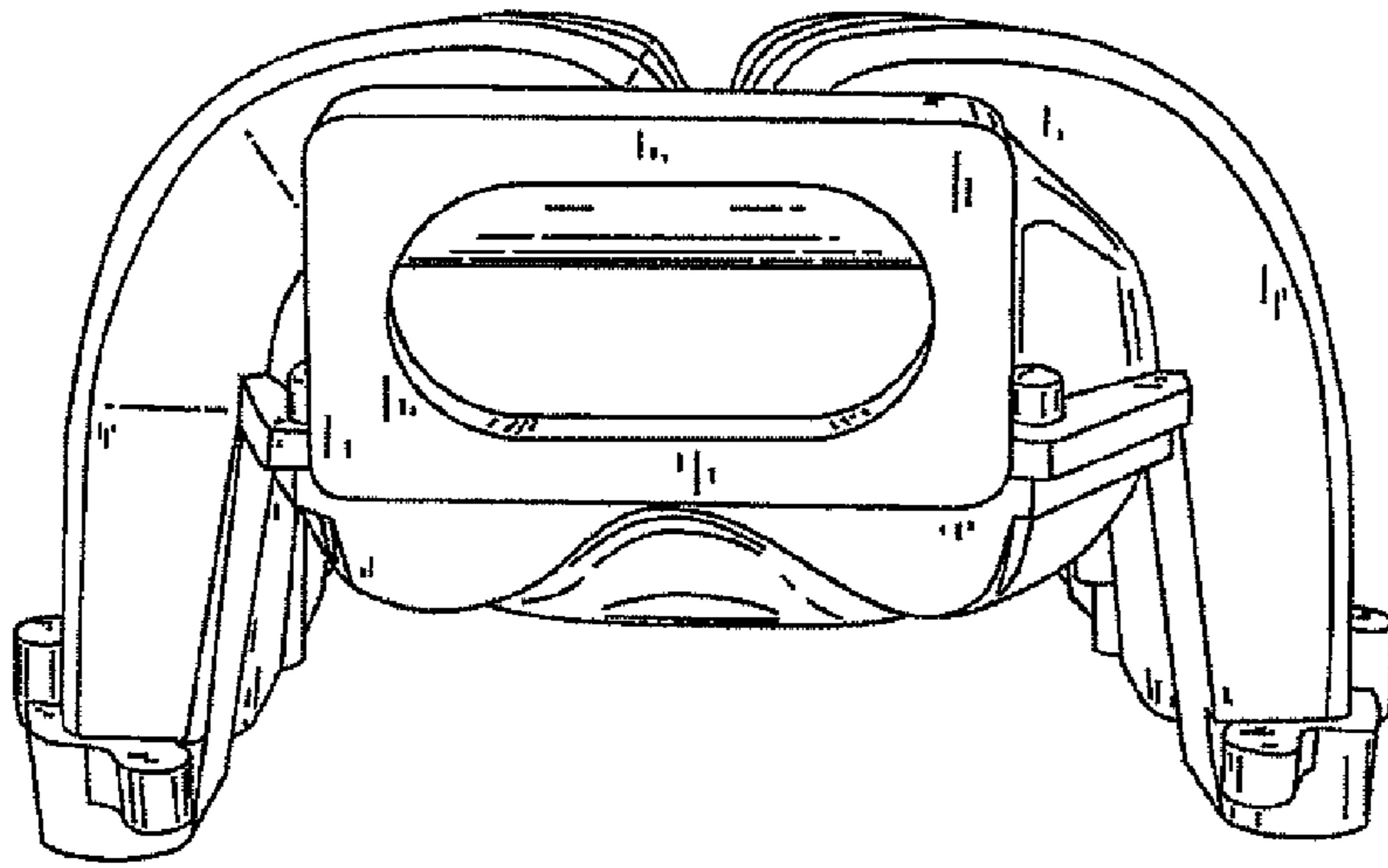


FIGURE 5

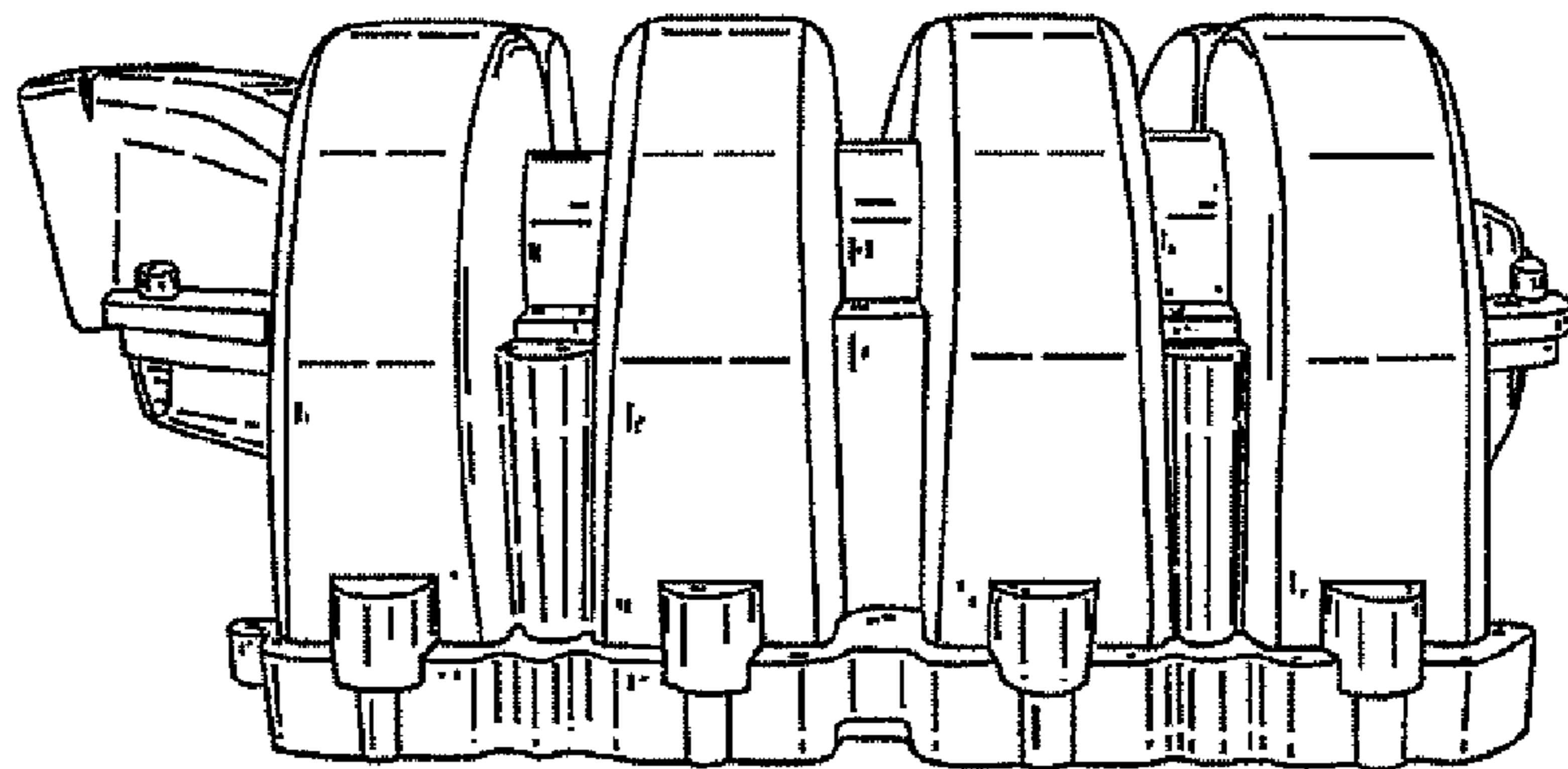


FIGURE 6

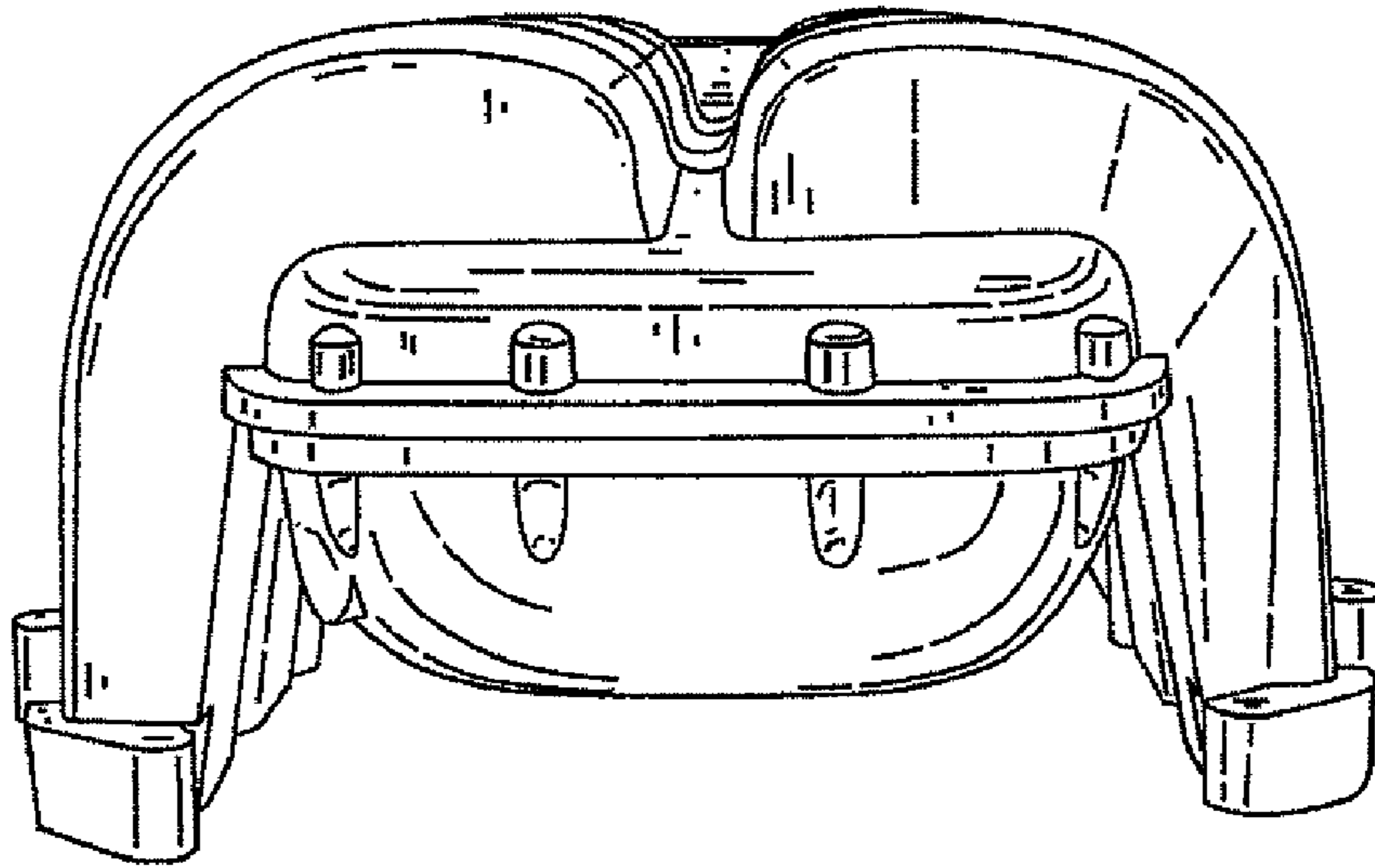


FIGURE 7

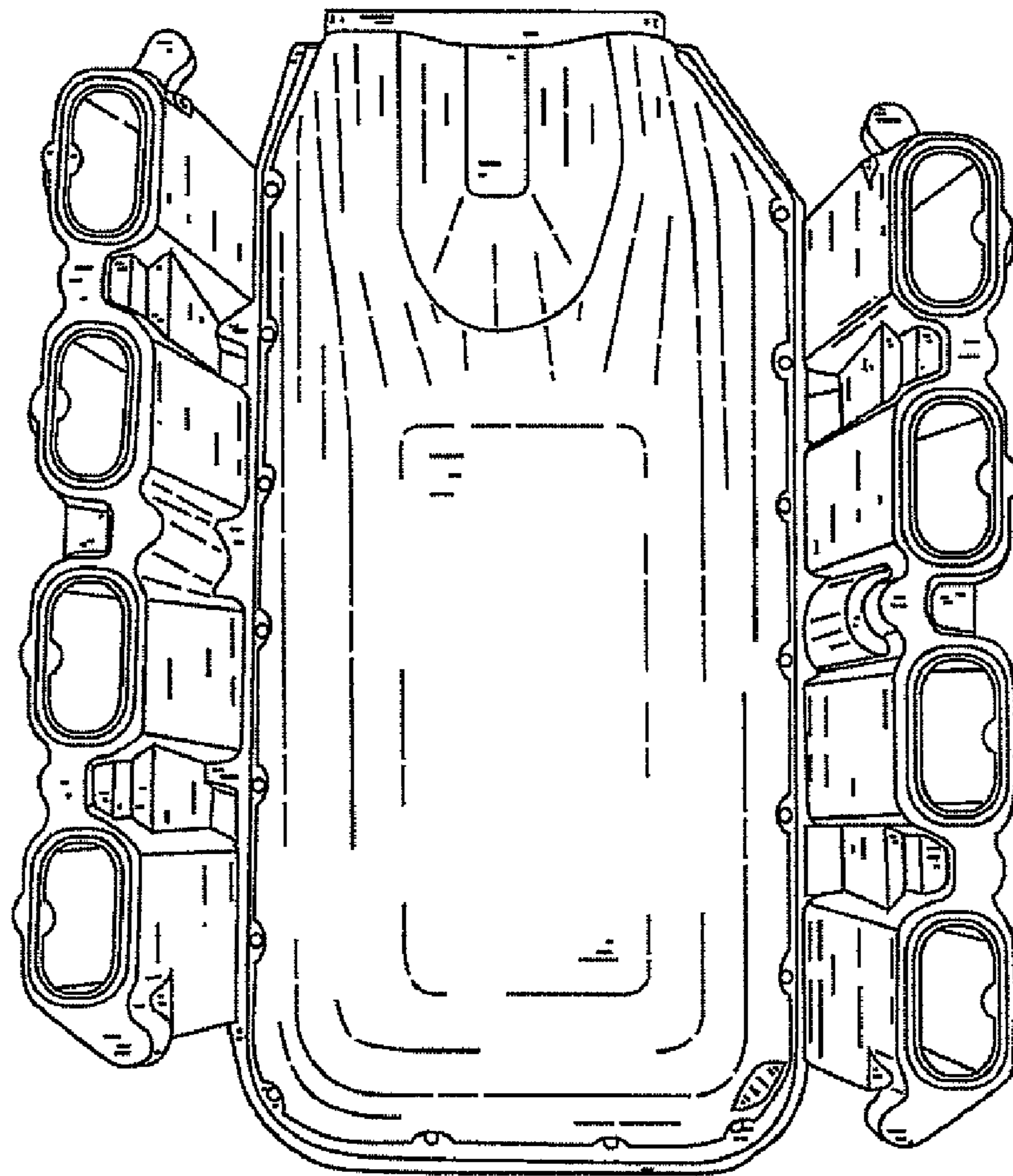


FIGURE 8