



US00D580455S

(12) **United States Design Patent**
Elsener

(10) **Patent No.:** **US D580,455 S**
(45) **Date of Patent:** **** Nov. 11, 2008**

(54) **MP3 PLAYER**

(75) Inventor: **Carl Elsener**, Ibach (CH)

(73) Assignee: **Victorinox AG**, Ibach (CH)

(**) Term: **14 Years**

(21) Appl. No.: **29/260,369**

(22) Filed: **May 24, 2006**

(30) **Foreign Application Priority Data**

Nov. 24, 2005 (EM) 000437074-0001
Nov. 24, 2005 (EM) 000437074-0002

(51) **LOC (8) Cl.** **14-03**

(52) **U.S. Cl.** **D14/496**

(58) **Field of Classification Search** D14/496,
D14/401, 435, 474, 483, 217, 137, 138, 160,
D14/168; 345/156, 169, 173-179, 905; 715/727-729,
715/864; 455/11.1, 7, 73, 344-347, 93, 95;
370/342-344; 369/1, 2, 6, 12; 463/43-47;
273/148 B

See application file for complete search history.

(56) **References Cited**

U.S. PATENT DOCUMENTS

6,372,974 B1 * 4/2002 Gross et al. 84/609
6,807,591 B2 * 10/2004 Kao 710/74
D504,409 S * 4/2005 Kim D14/156
6,887,618 B2 * 5/2005 Shelekhin et al. 429/175
7,125,265 B2 * 10/2006 Weng 439/131
7,188,491 B2 * 3/2007 Donald et al. 62/457.7

D554,149 S * 10/2007 Kim D14/496
7,283,697 B1 * 10/2007 Morikuni et al. 385/14
D556,209 S * 11/2007 Brelo D14/496
D559,266 S * 1/2008 Oh D14/496

OTHER PUBLICATIONS

Smoky Mountain Knife Works Catalog, Spring 1996, p. 8, Victorinox Knife, Listed as "M".*
Smoky Mountain Knife Works Catalogs, 2003, p. 30, Wenger Pocket Knife, Listed as "W16146".*

* cited by examiner

Primary Examiner—Prabhakar Deshmukh

(74) *Attorney, Agent, or Firm*—Collard & Roe, P.C.

(57) **CLAIM**

The ornamental design for an MP3 player, as shown and described.

DESCRIPTION

FIG. 1 shows a front and right perspective view of my design for an MP3 player;

FIG. 2 shows a rear and right perspective view thereof;

FIG. 3 shows a rear elevational view thereof;

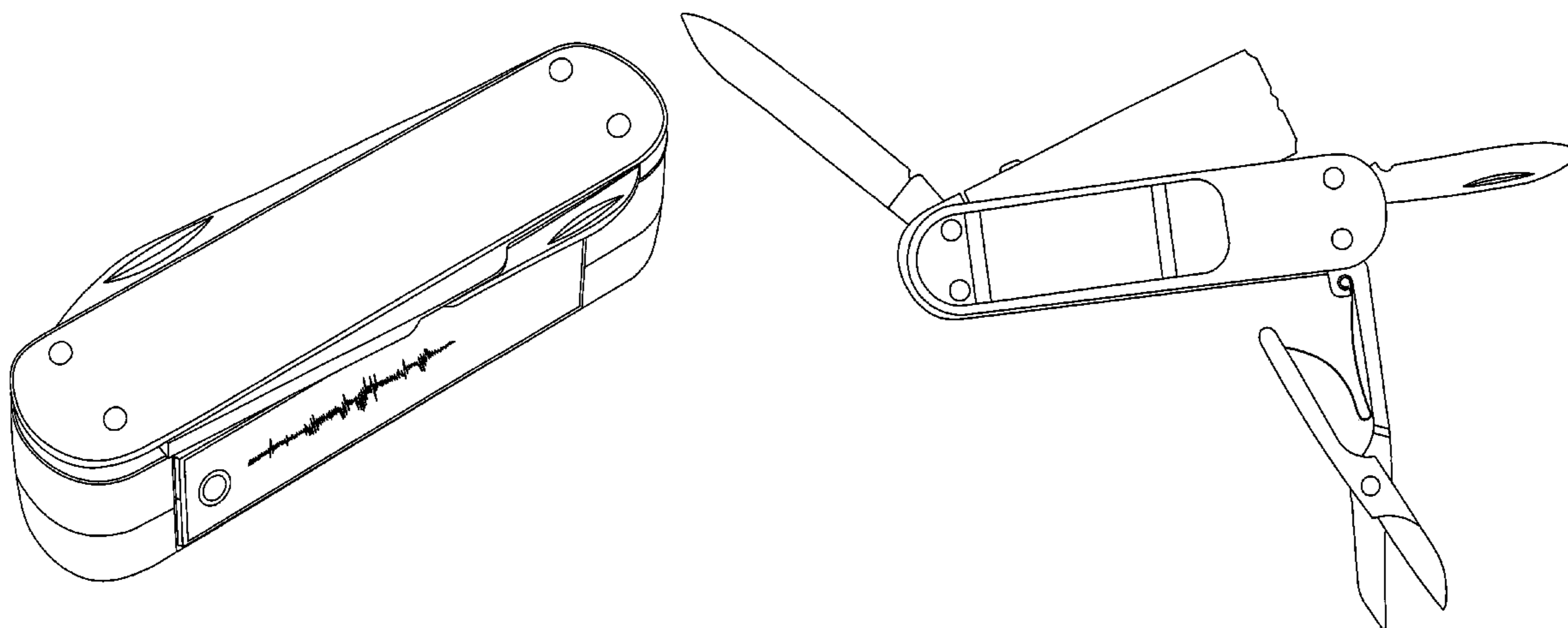
FIG. 4 shows a left side view thereof;

FIG. 5 shows a front view thereof;

FIG. 6 shows the rear view, with the tools shown in an unfolded condition; and,

FIG. 7 shows the front view, with the tools shown in an unfolded condition.

1 Claim, 7 Drawing Sheets



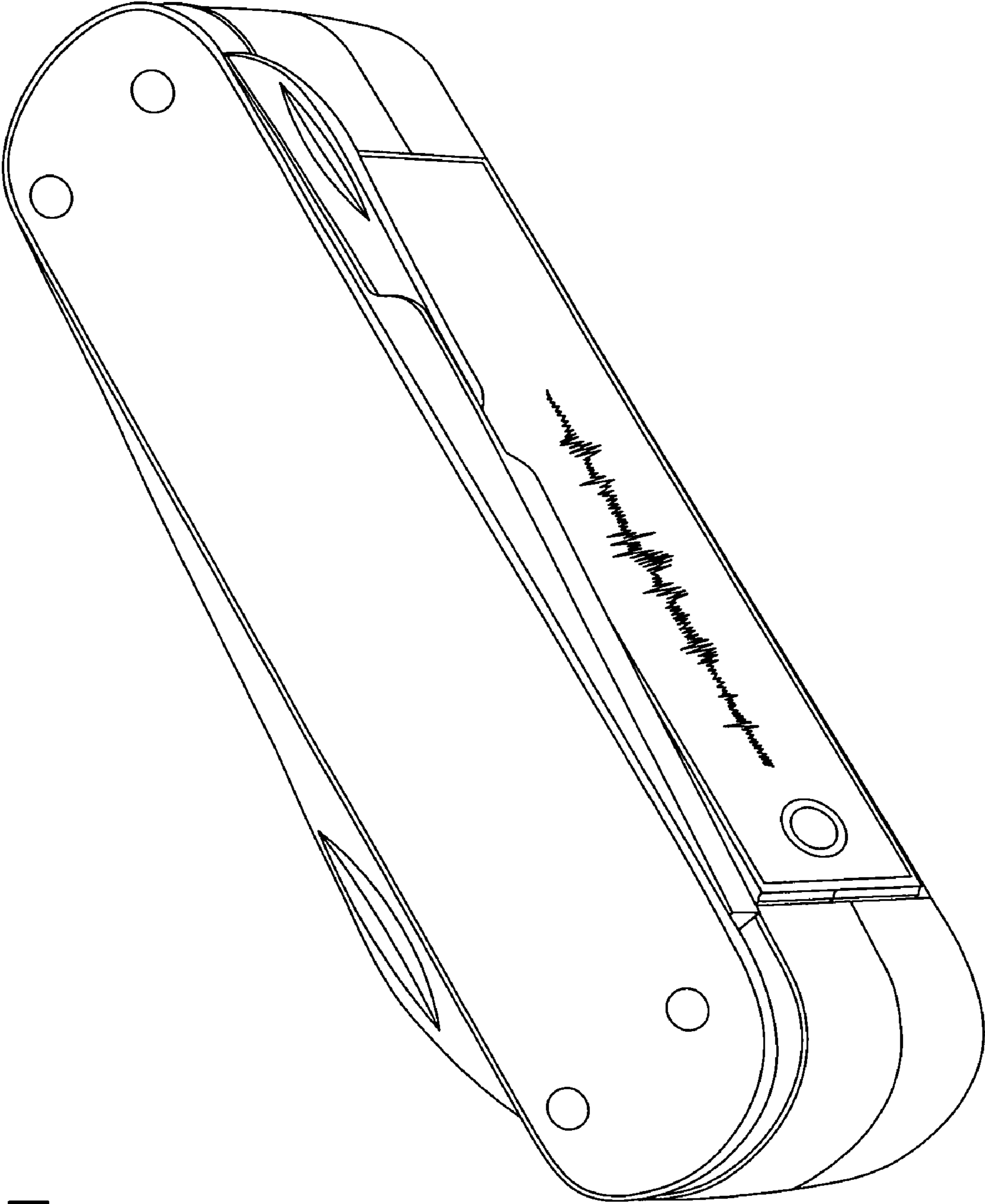


Fig.1

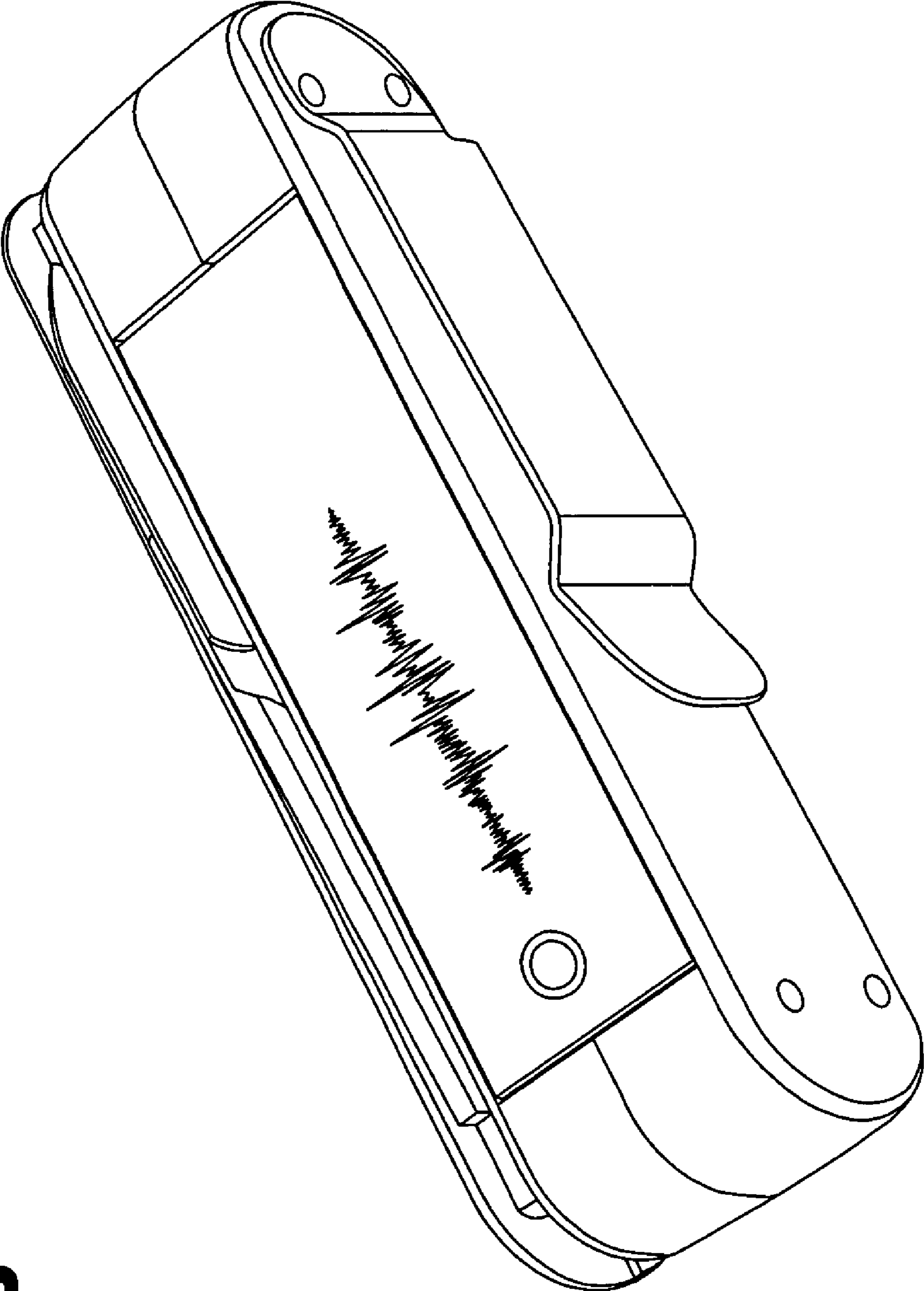


Fig. 2

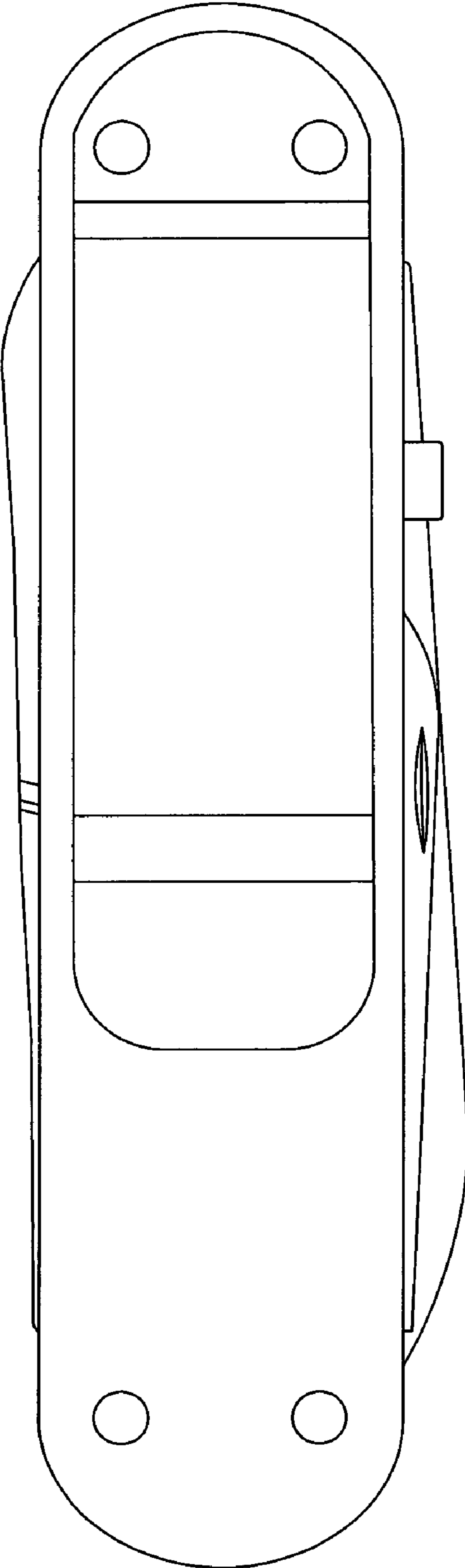


Fig. 3

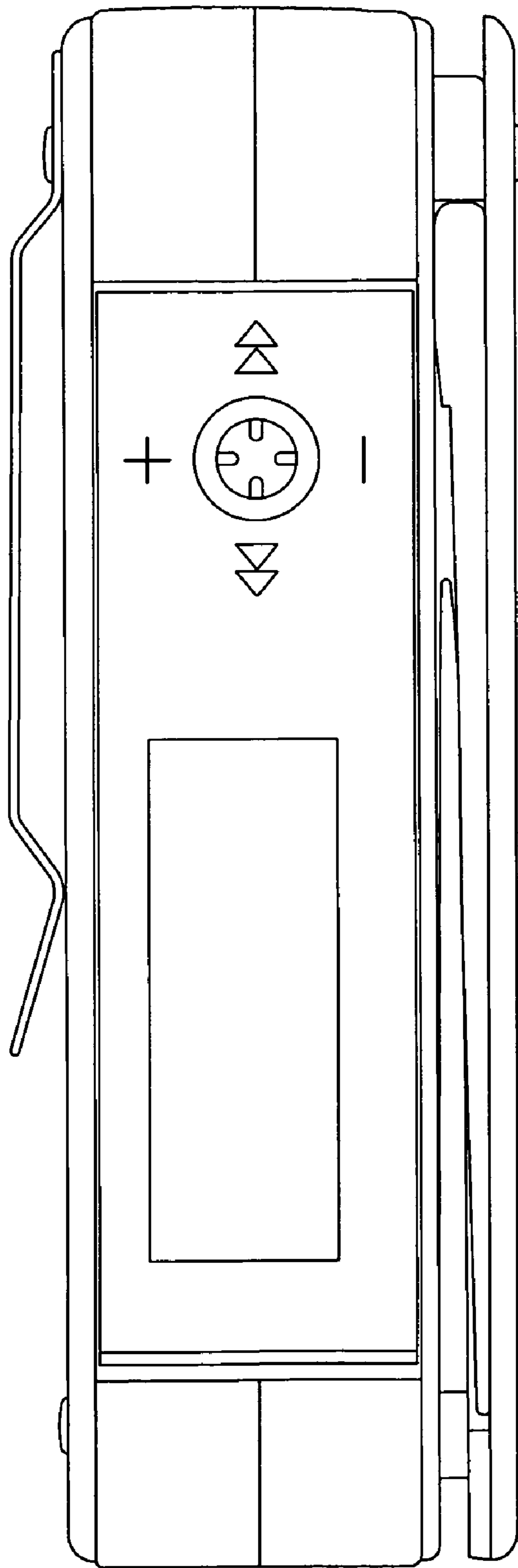


Fig.4

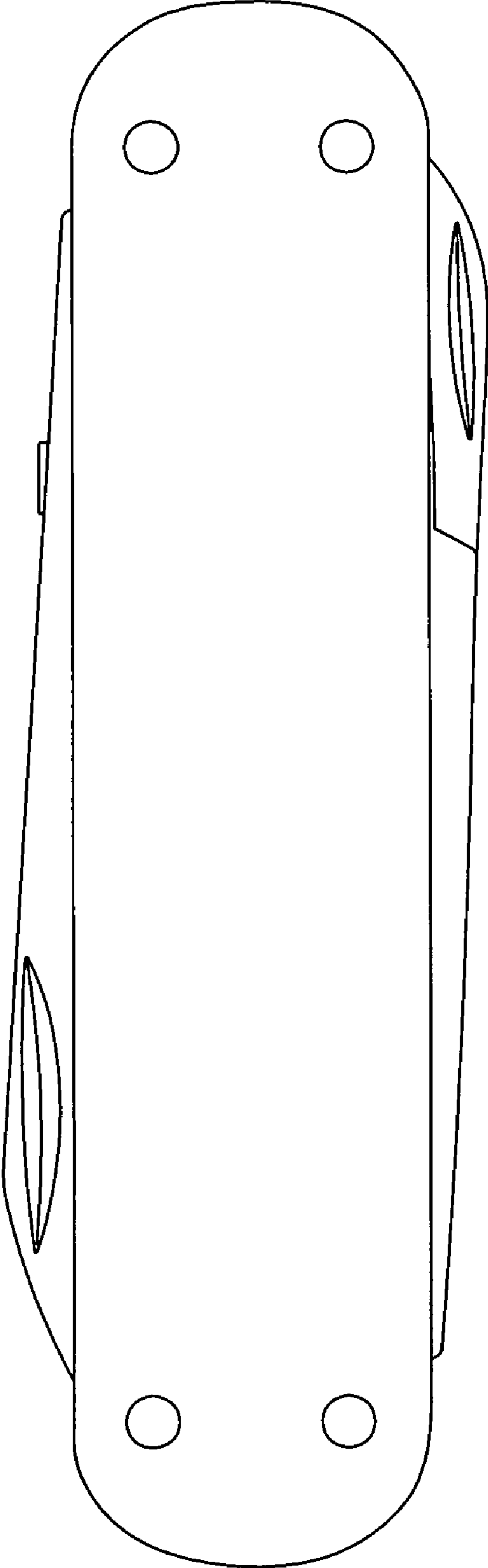
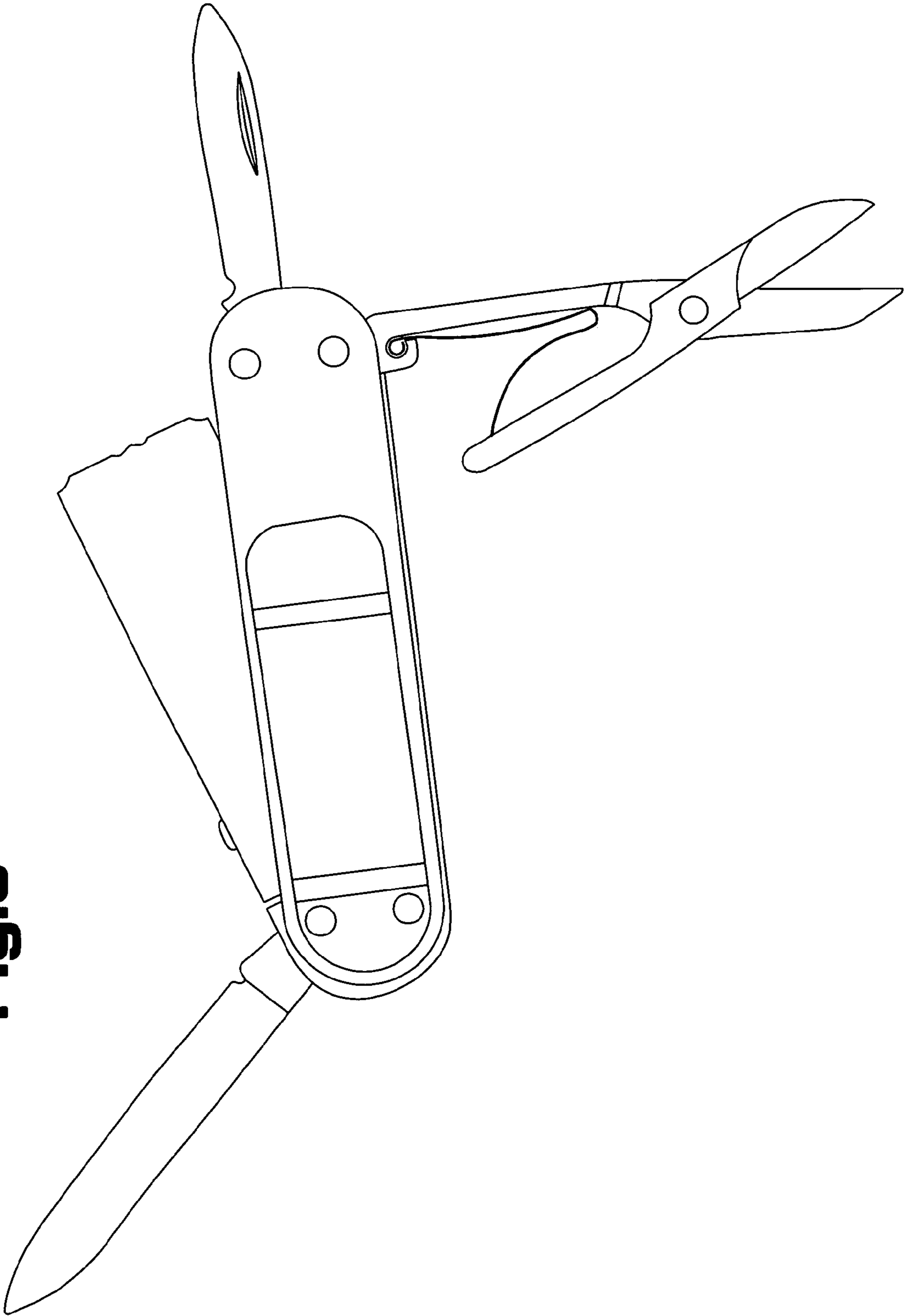


Fig. 5

Fig. 6



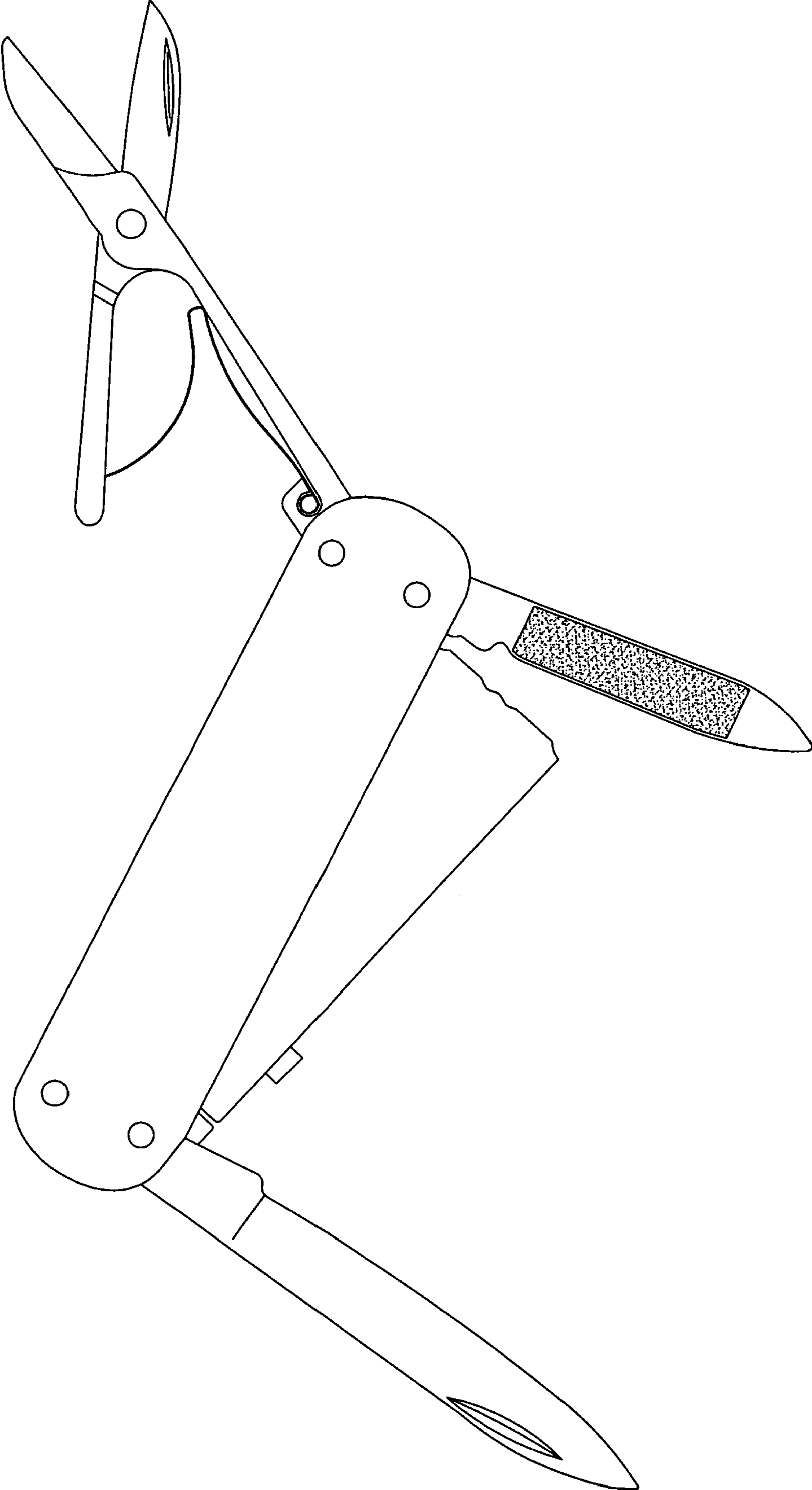


Fig. 7