



US00D580447S

(12) **United States Design Patent**  
**DeMaio et al.**

(10) **Patent No.:** **US D580,447 S**  
(45) **Date of Patent:** **\*\* Nov. 11, 2008**

(54) **KEY FOR A KEYBOARD**

(75) Inventors: **Pasquale DeMaio**, Bellevue, WA (US);  
**Isabelo V. de los Reyes**, Bellevue, WA  
(US); **Steven T. Kaneko**, Medina, WA  
(US); **Carl J. Ledbetter**, Mercer Island,  
WA (US); **Greg G. Jones**, Seattle, WA  
(US); **Tucker Fort**, New York, NY (US);  
**Tim Kennedy**, Staten Island, NY (US);  
**Courtney Smith**, West Orange, NJ (US)

(73) Assignee: **Microsoft Corporation**, Redmond, WA  
(US)

(\*\*) Term: **14 Years**

(21) Appl. No.: **29/319,090**

(22) Filed: **Jun. 3, 2008**

**Related U.S. Application Data**

(62) Division of application No. 29/237,765, filed on Sep.  
7, 2005, now Pat. No. Des. 570,357.

(51) **LOC (8) Cl.** ..... **14-02**

(52) **U.S. Cl.** ..... **D14/456**

(58) **Field of Classification Search** ..... D14/391-399,  
D14/455, 456, 385; D18/1, 2, 7, 11; 200/5 A,  
200/5 R, 6 A, 6 R, 341; 235/380, 382, 382.5;  
341/22, 23; 345/160, 168, 173; 400/477,  
400/484-486, 492, 692; 455/556.1  
See application file for complete search history.

(56) **References Cited**

**U.S. PATENT DOCUMENTS**

5,387,042 A 2/1995 Brown  
D358,382 S 5/1995 Franz  
5,763,842 A 6/1998 Tsai et al.

5,836,705 A 11/1998 Choate  
6,259,049 B1 7/2001 Nakai  
D467,932 S 12/2002 Jones  
D481,730 S 11/2003 Kang et al.  
6,686,549 B2 2/2004 Douzono et al.  
D570,357 S \* 6/2008 DeMaio et al. .... D14/456  
2002/0109675 A1 8/2002 Kuan  
2004/0009790 A1 1/2004 Im

\* cited by examiner

*Primary Examiner*—Freda S Nunn

(74) *Attorney, Agent, or Firm*—Banner & Witcoff, Ltd.

(57) **CLAIM**

The ornamental design for a key for a keyboard, as shown and described.

**DESCRIPTION**

FIG. 1 is a perspective view of a key for a keyboard showing our design;

FIG. 2 is an enlarged fragmented perspective view of a key for a keyboard;

FIG. 3 is an enlarged top view thereof;

FIG. 4 is an enlarged front view thereof;

FIG. 5 is a top view of a second embodiment of a key for a keyboard showing our design;

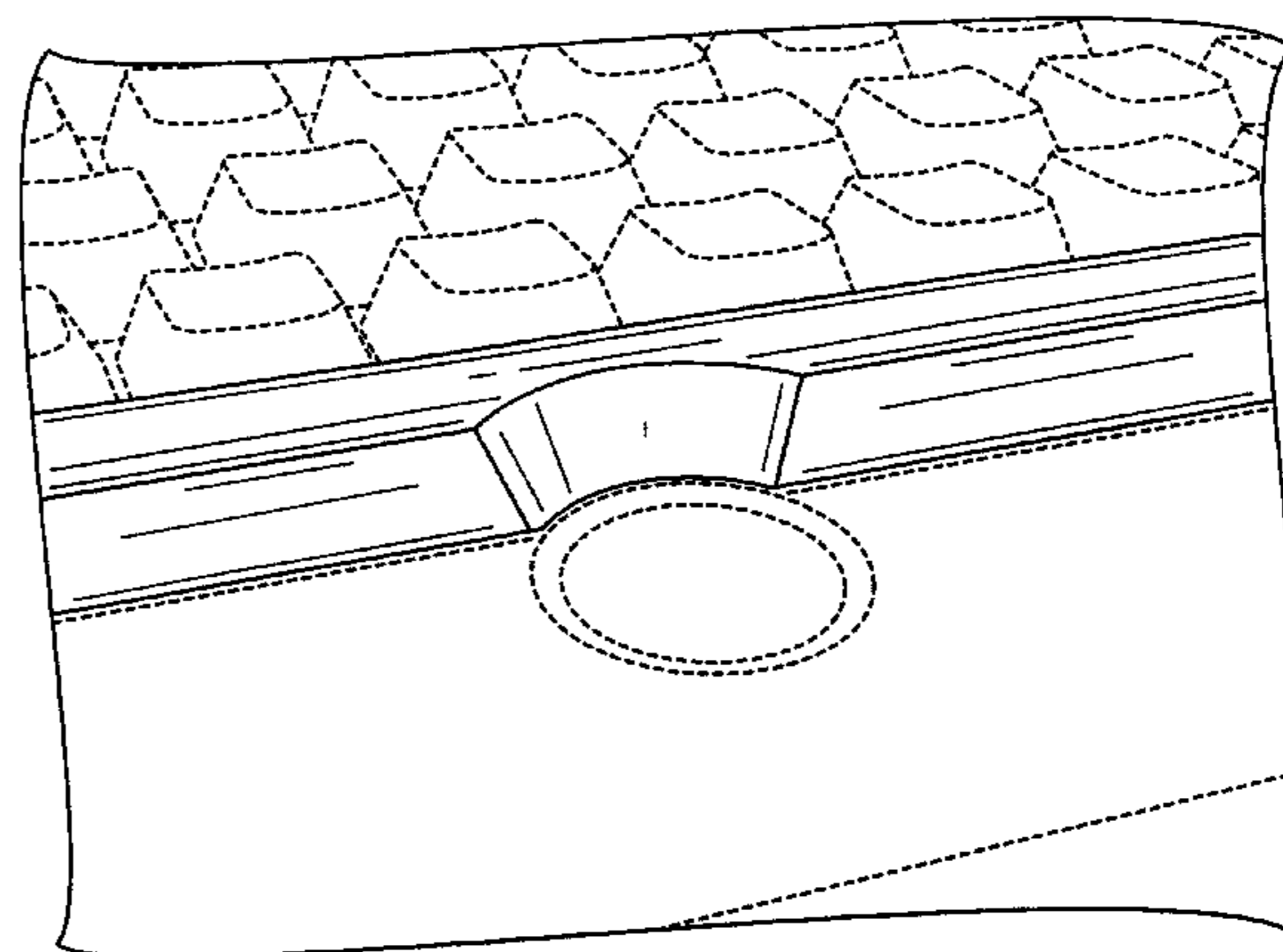
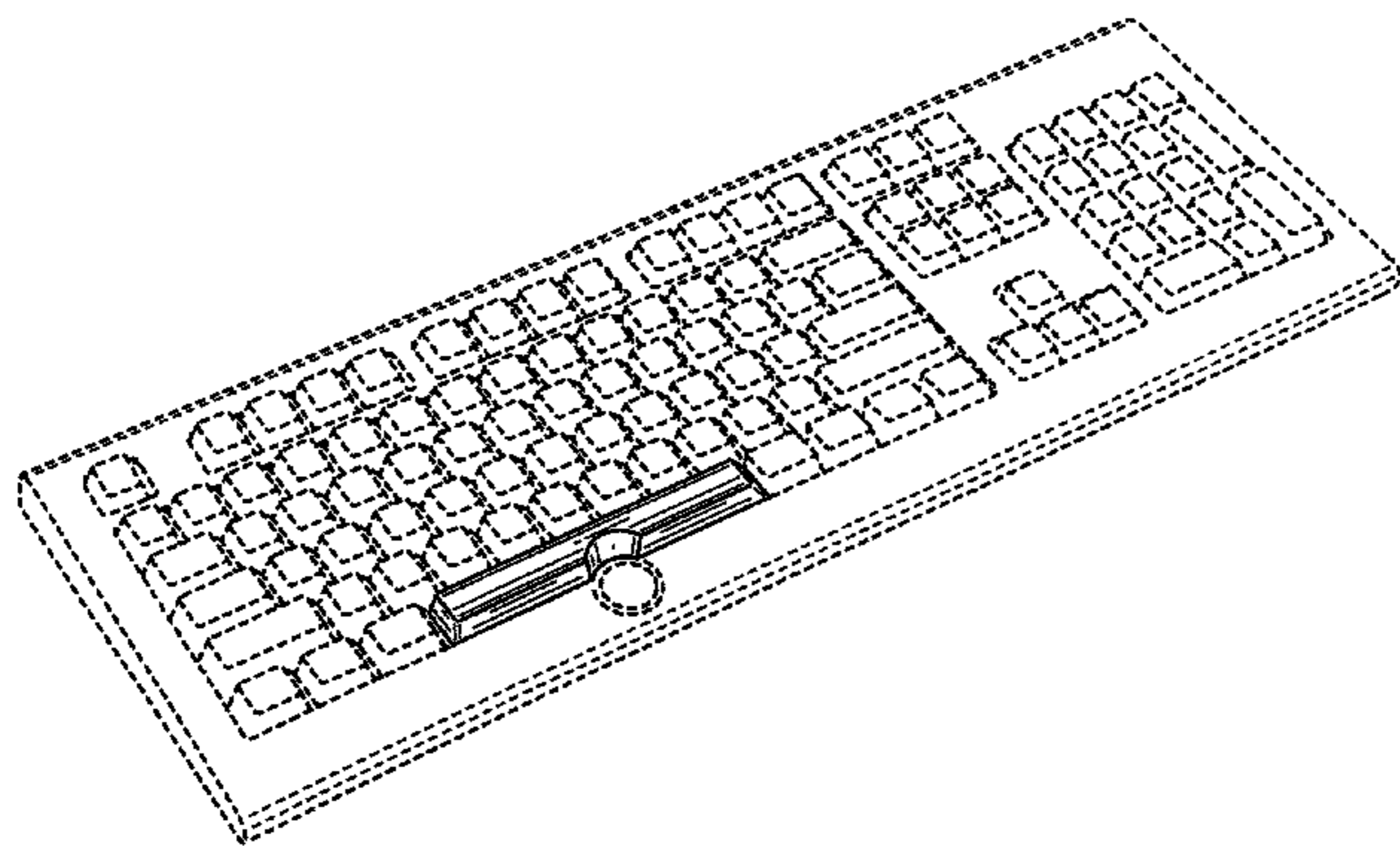
FIG. 6 is an enlarged fragmented perspective view of a key for a keyboard;

FIG. 7 is an enlarged top view thereof; and,

FIG. 8 is an enlarged front view thereof.

The broken line showing of the remainder of the keyboard represents environmental structure only and forms no part of the claimed design.

**1 Claim, 6 Drawing Sheets**



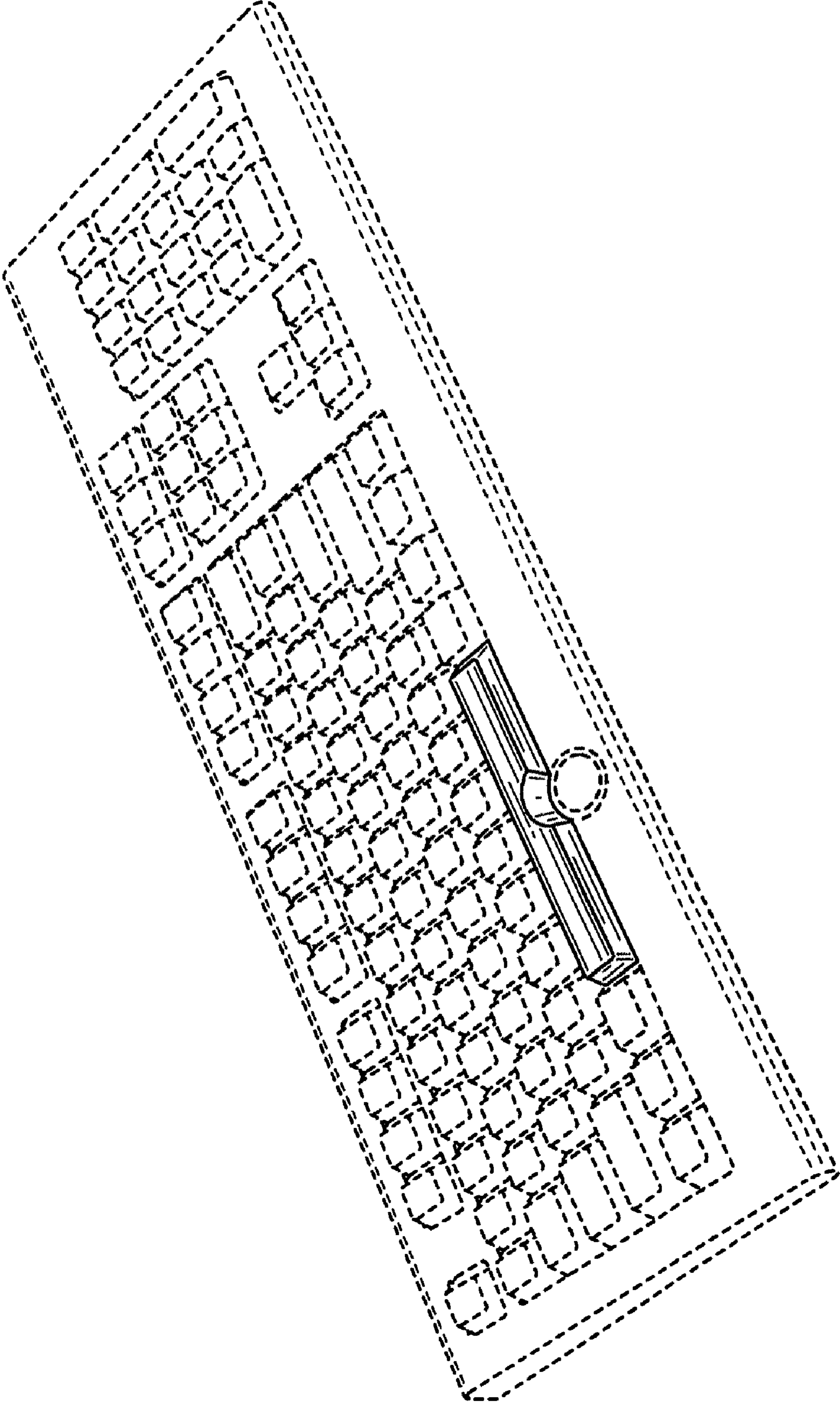


FIG. 1

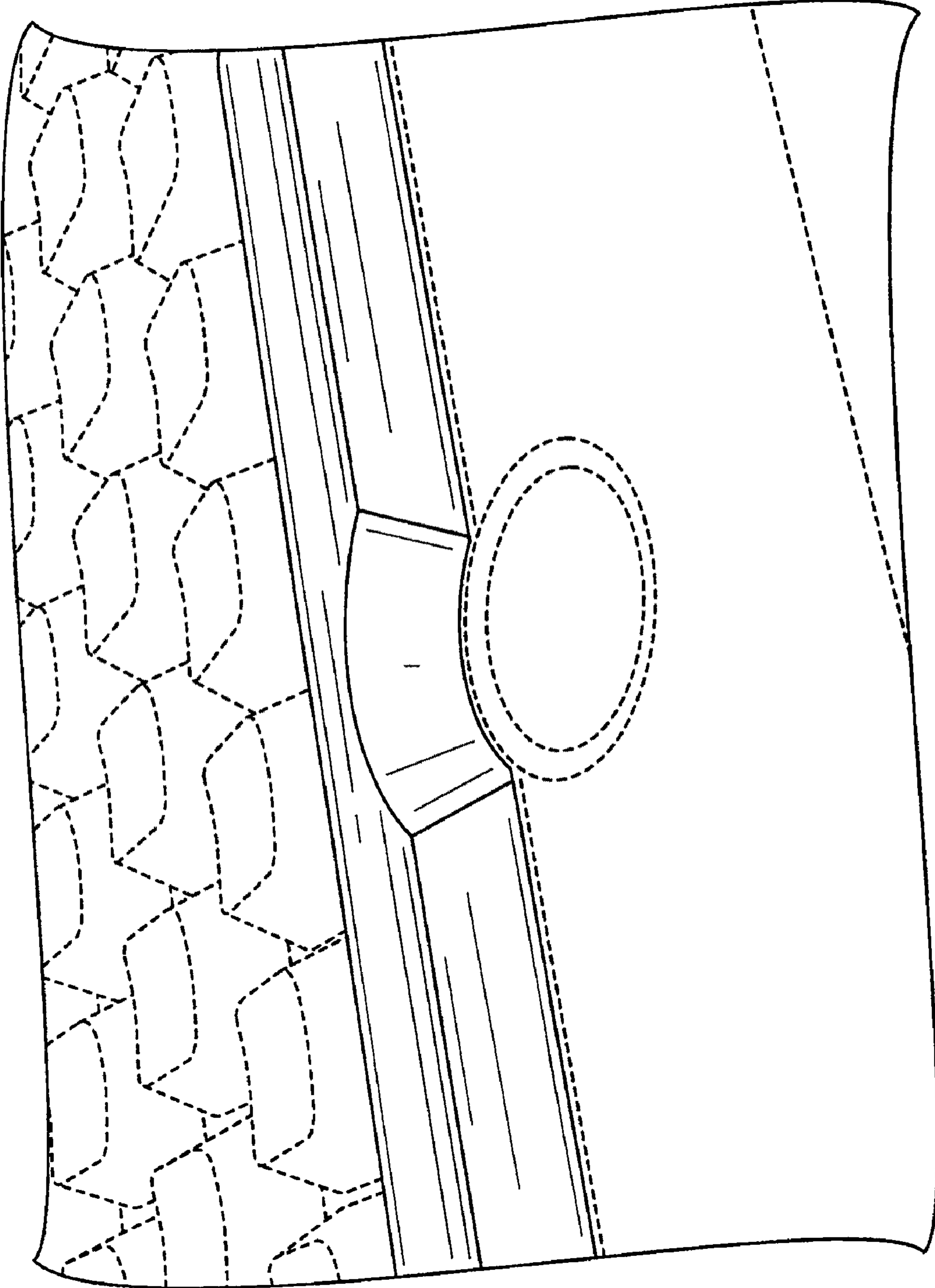


FIG. 2

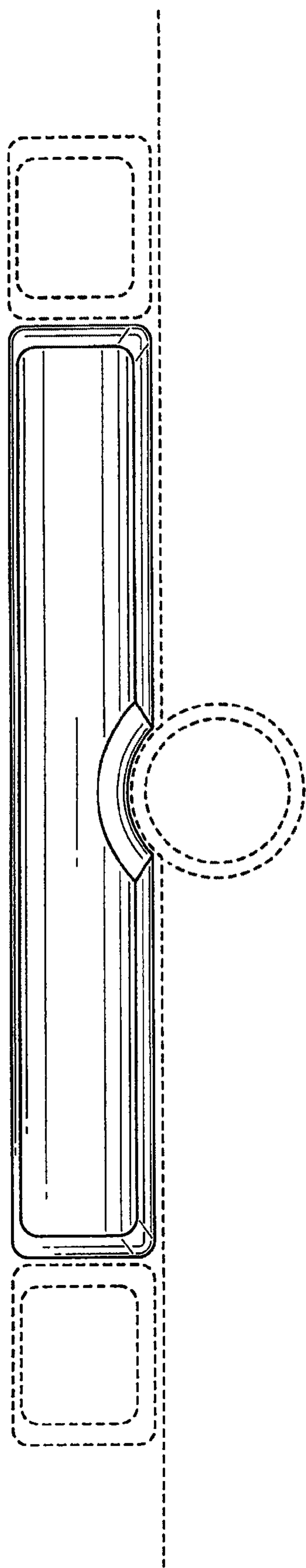


FIG. 3

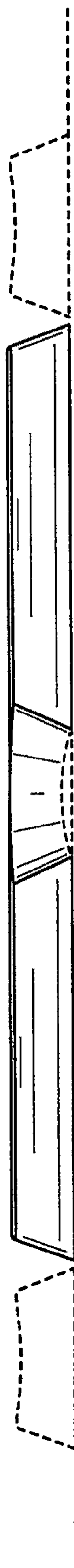


FIG. 4

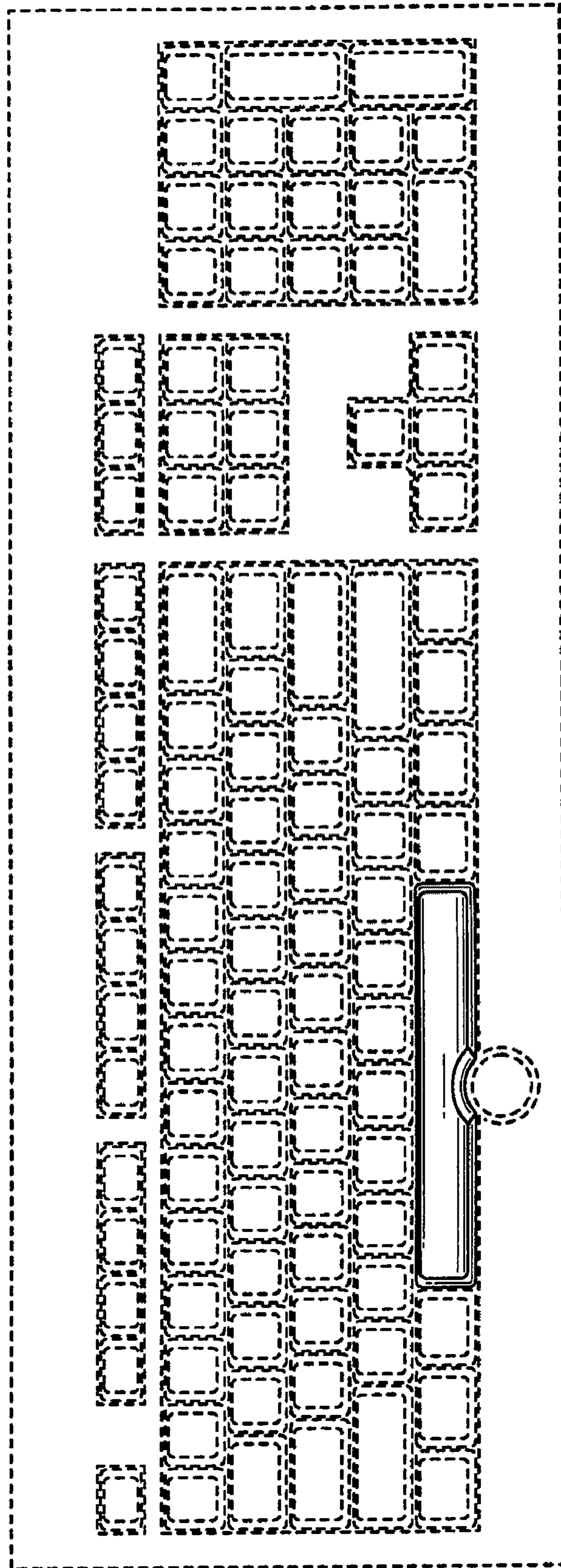


FIG. 5

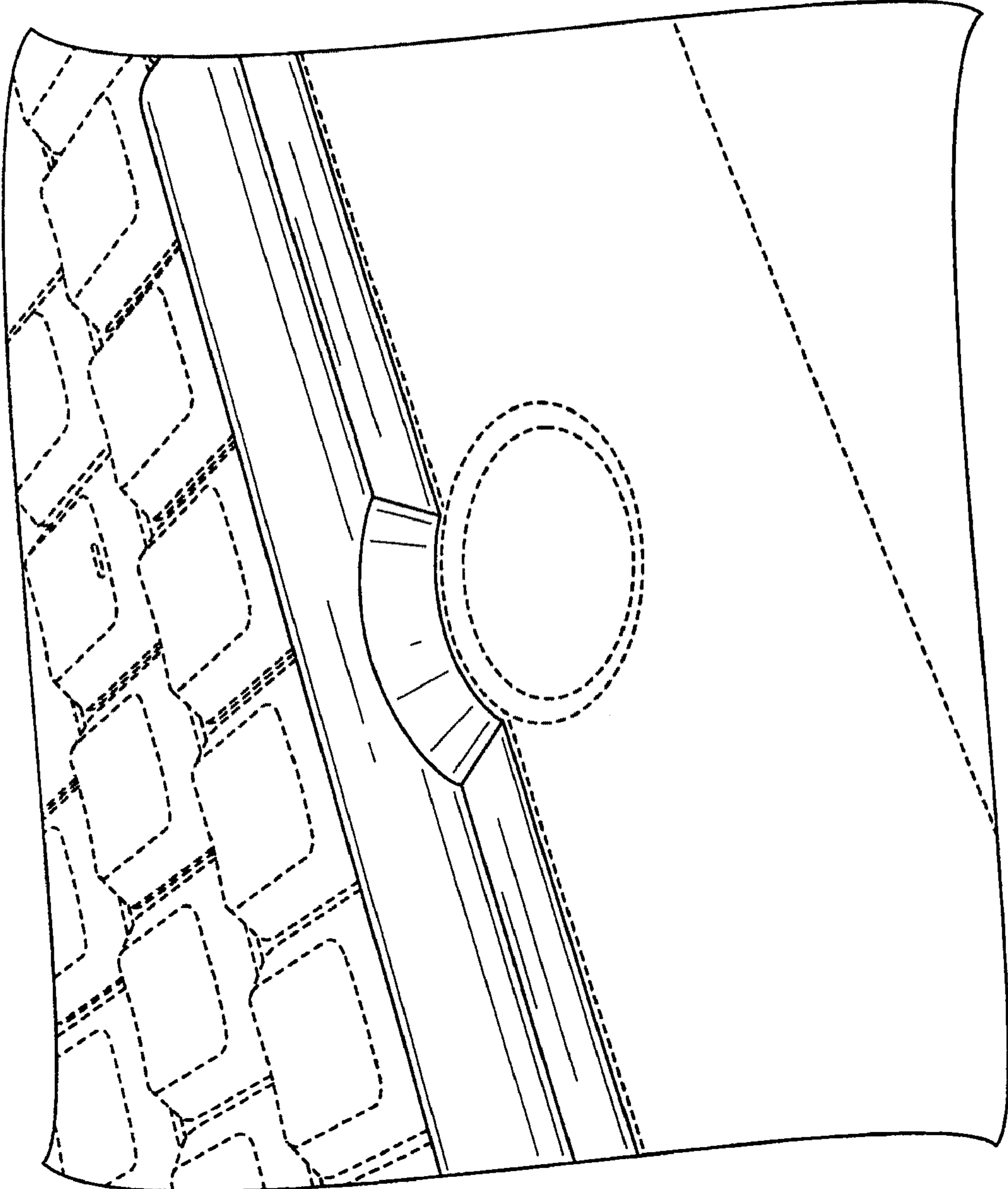


FIG. 6

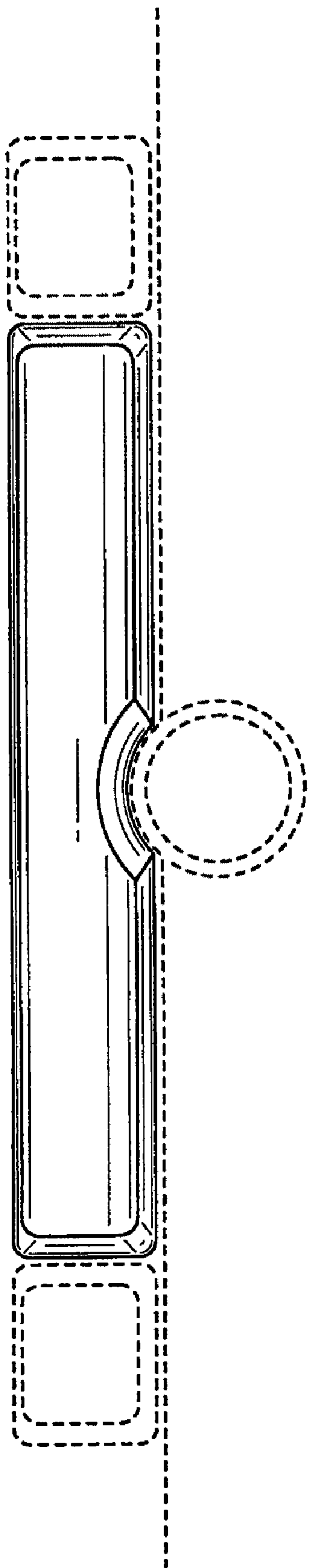


FIG. 7



FIG. 8