



US00D580446S

(12) **United States Design Patent**
DeMaio et al.

(10) **Patent No.:** **US D580,446 S**
(45) **Date of Patent:** **** Nov. 11, 2008**

(54) **SET OF KEYS FOR A KEYBOARD**

(75) Inventors: **Pasquale DeMaio**, Bellevue, WA (US);
Isabelo V. de los Reyes, Bellevue, WA
(US); **Steven T. Kaneko**, Medina, WA
(US); **Carl J. Ledbetter**, Mercer Island,
WA (US); **Greg G. Jones**, Seattle, WA
(US); **Tucker Fort**, New York, NY (US);
Tim Kennedy, Staten Island, NY (US);
Courtney Smith, West Orange, NJ (US)

(73) Assignee: **Microsoft Corporation**, Redmond, WA
(US)

(**) Term: **14 Years**

(21) Appl. No.: **29/319,088**

(22) Filed: **Jun. 3, 2008**

Related U.S. Application Data

(62) Division of application No. 29/237,765, filed on Sep.
7, 2005, now Pat. No. Des. 570,357.

(51) **LOC (8) Cl.** **14-02**

(52) **U.S. Cl.** **D14/456**

(58) **Field of Classification Search** D14/391-399,
D14/455, 456, 385; D18/1, 2, 7, 11; 200/5 A,
200/5 R, 6 A, 6 R, 341; 235/380, 382, 382.5;
341/22, 23; 345/160, 168, 173; 400/477,
400/484-486, 492, 692; 455/556.1
See application file for complete search history.

(56) **References Cited**

U.S. PATENT DOCUMENTS

5,387,042 A 2/1995 Brown
D358,382 S 5/1995 Franz
5,763,842 A 6/1998 Tsai et al.

5,836,705 A 11/1998 Choate
6,259,049 B1 7/2001 Nakai
D467,932 S 12/2002 Jones
D481,730 S 11/2003 Kang et al.
6,686,549 B2 2/2004 Douzono et al.
D570,357 S * 6/2008 DeMaio et al. D14/456
2002/0109675 A1 8/2002 Kuan
2004/0009790 A1 1/2004 Im

* cited by examiner

Primary Examiner—Freda S Nunn

(74) *Attorney, Agent, or Firm*—Banner & Witcoff, Ltd.

(57) **CLAIM**

The ornamental design for a set of keys for a keyboard, as
shown and described.

DESCRIPTION

FIG. 1 is a perspective view of a set of keys for a keyboard
showing our design;

FIG. 2 is an enlarged fragmented perspective view of a set of
keys for a keyboard;

FIG. 3 is an enlarged top view of a set of keys for a keyboard
depicting our design;

FIG. 4 is a front view thereof;

FIG. 5 is a top view of a second embodiment of a set of keys
for a keyboard showing our design;

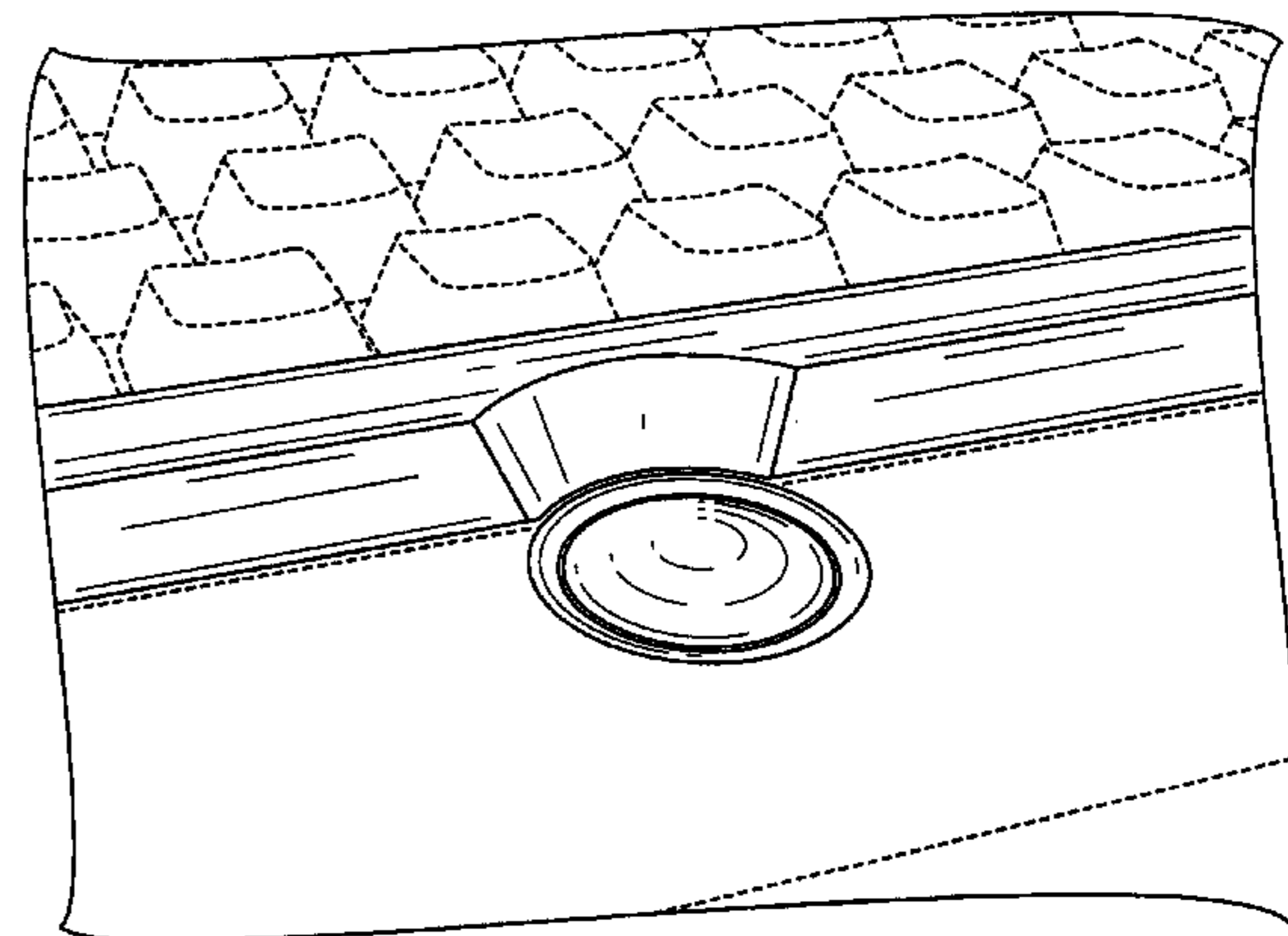
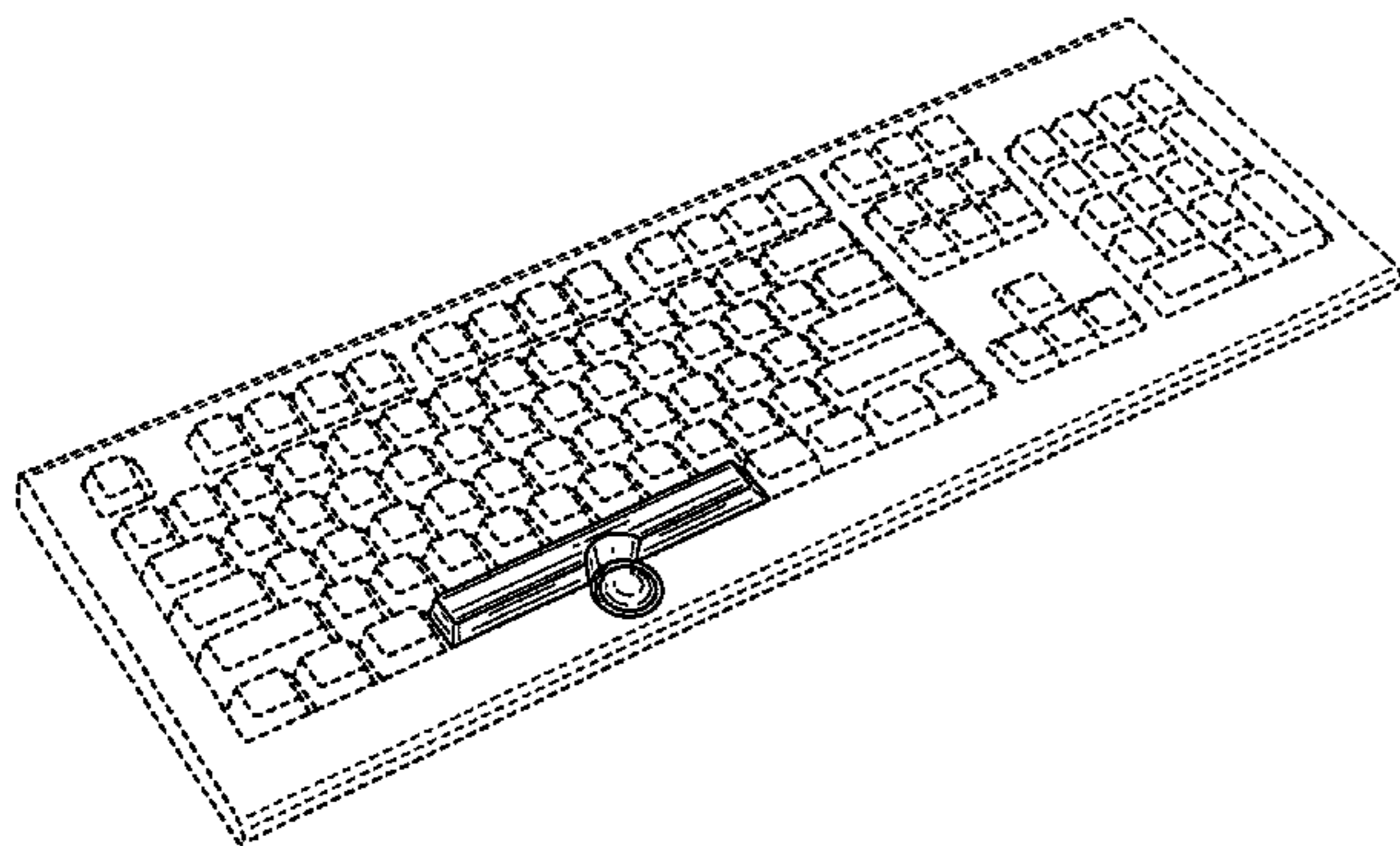
FIG. 6 is an enlarged fragmented perspective view of a set of
keys for a keyboard;

FIG. 7 is an enlarged top view thereof; and,

FIG. 8 is an enlarged front view thereof.

The broken line showing of the remainder of the keyboard
represents environmental structure only and forms no part of
the claimed design.

1 Claim, 6 Drawing Sheets



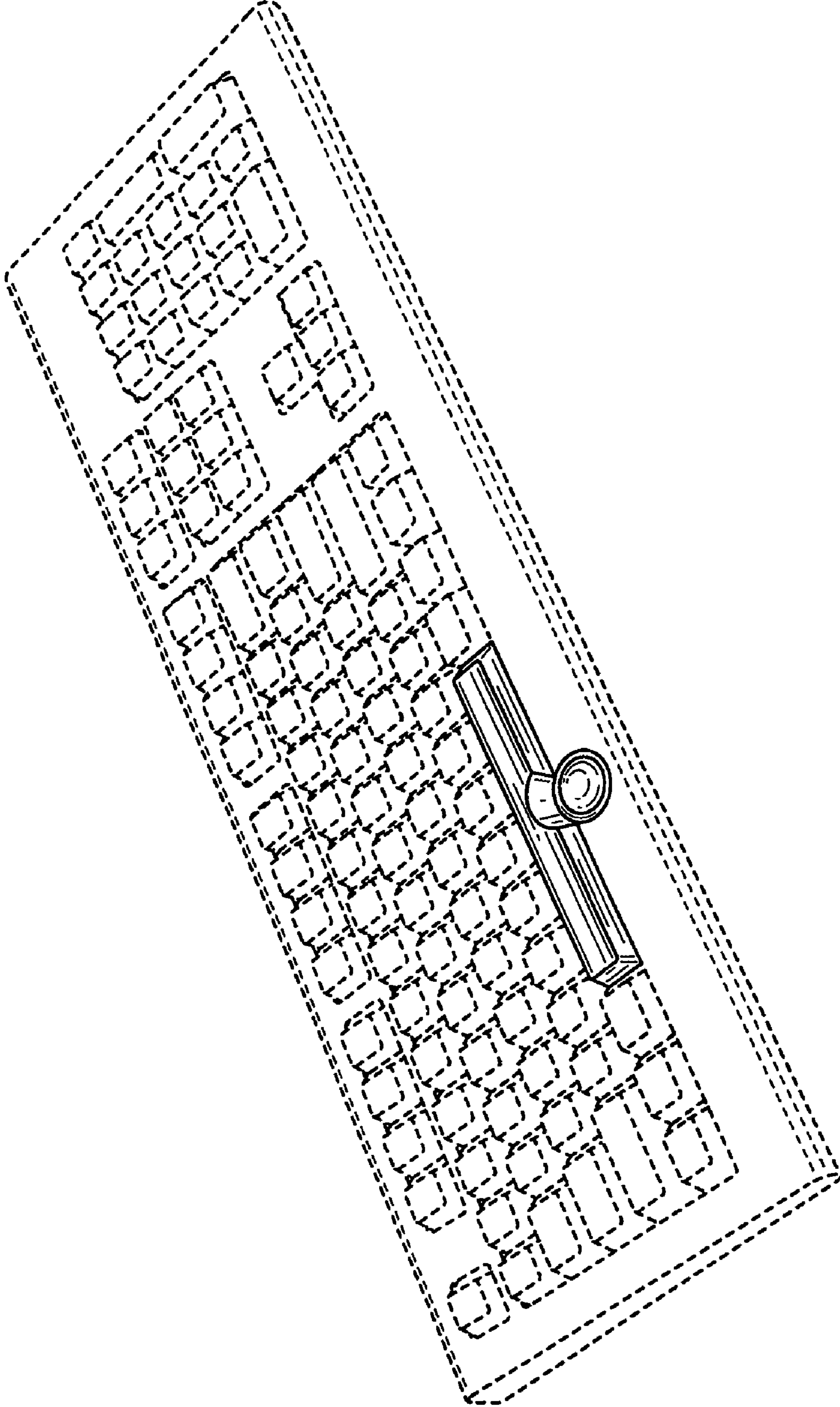


FIG. 1

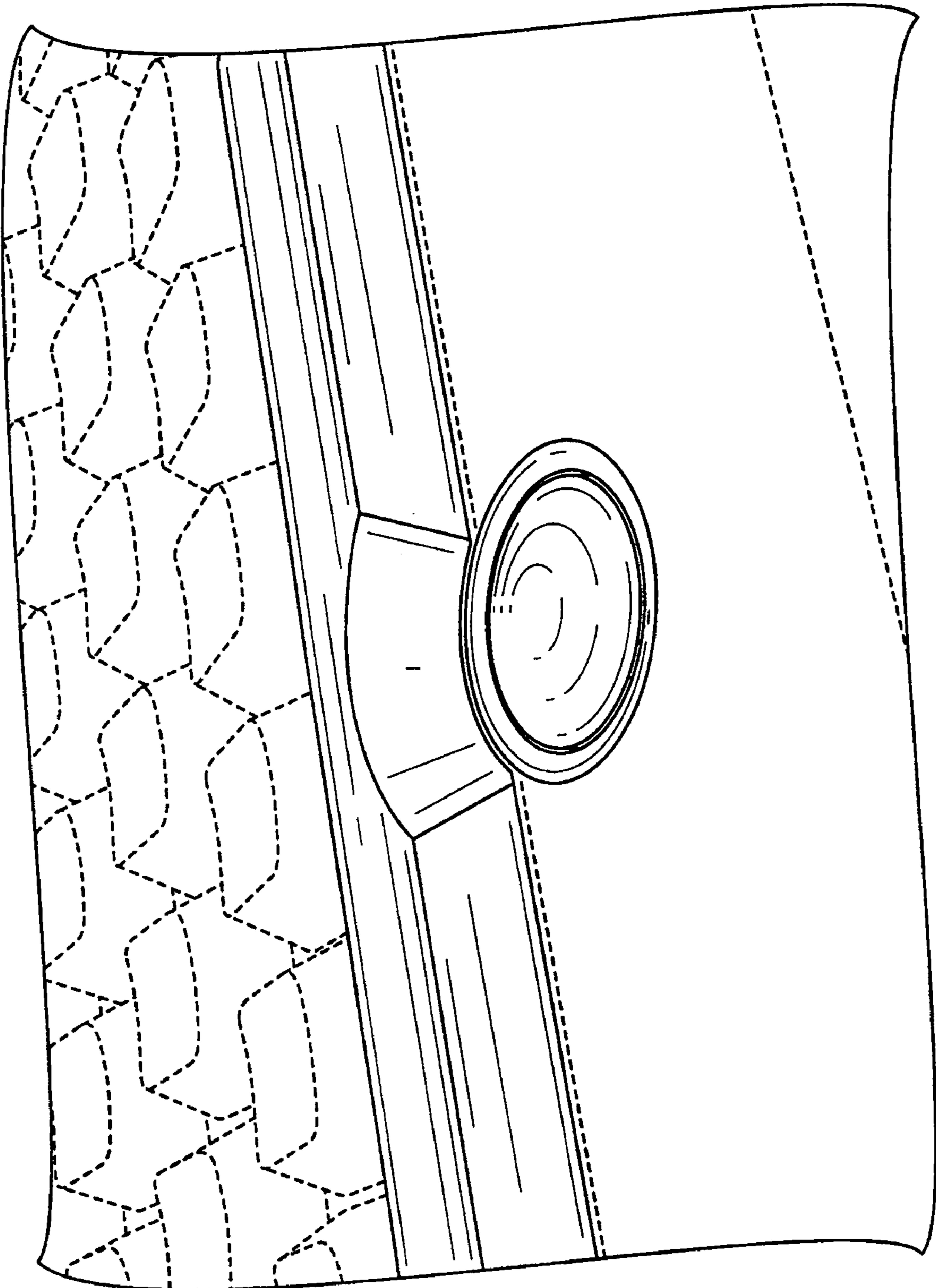


FIG. 2

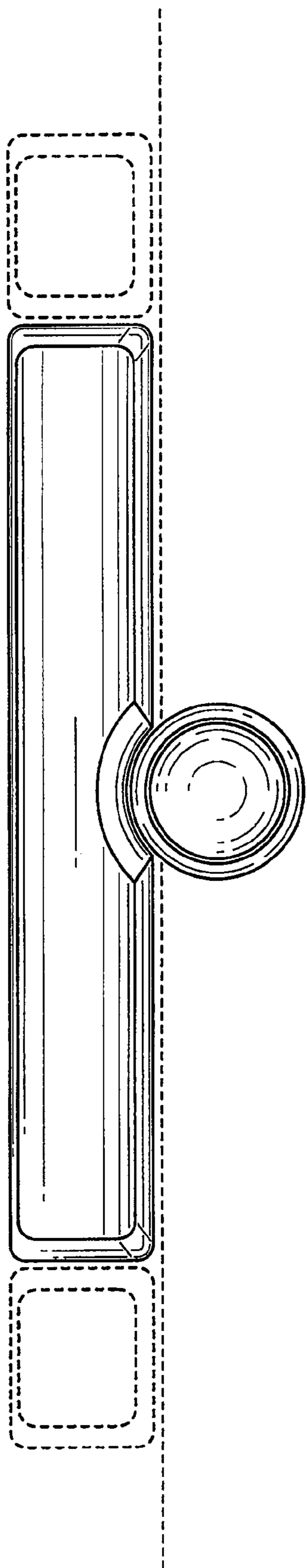


FIG. 3

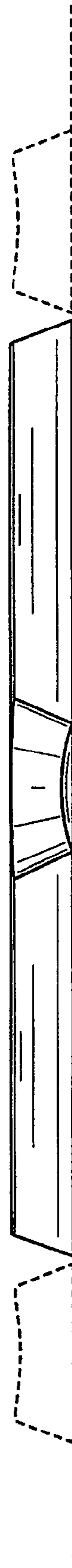


FIG. 4

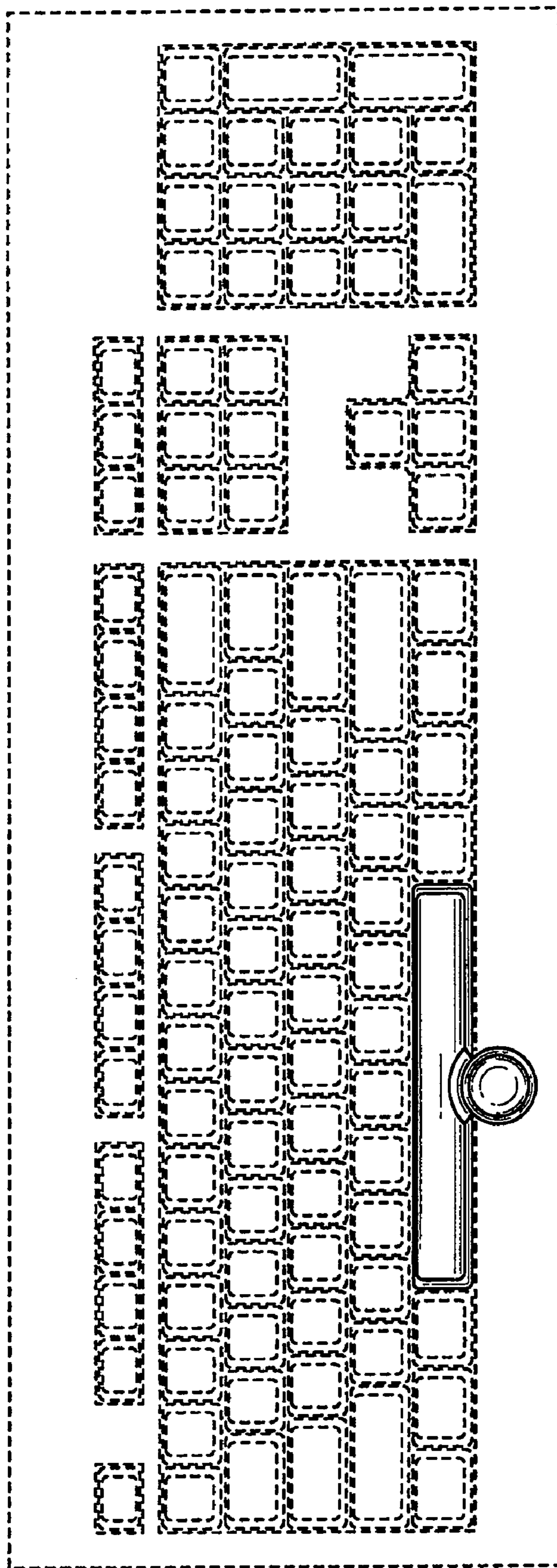


FIG. 5

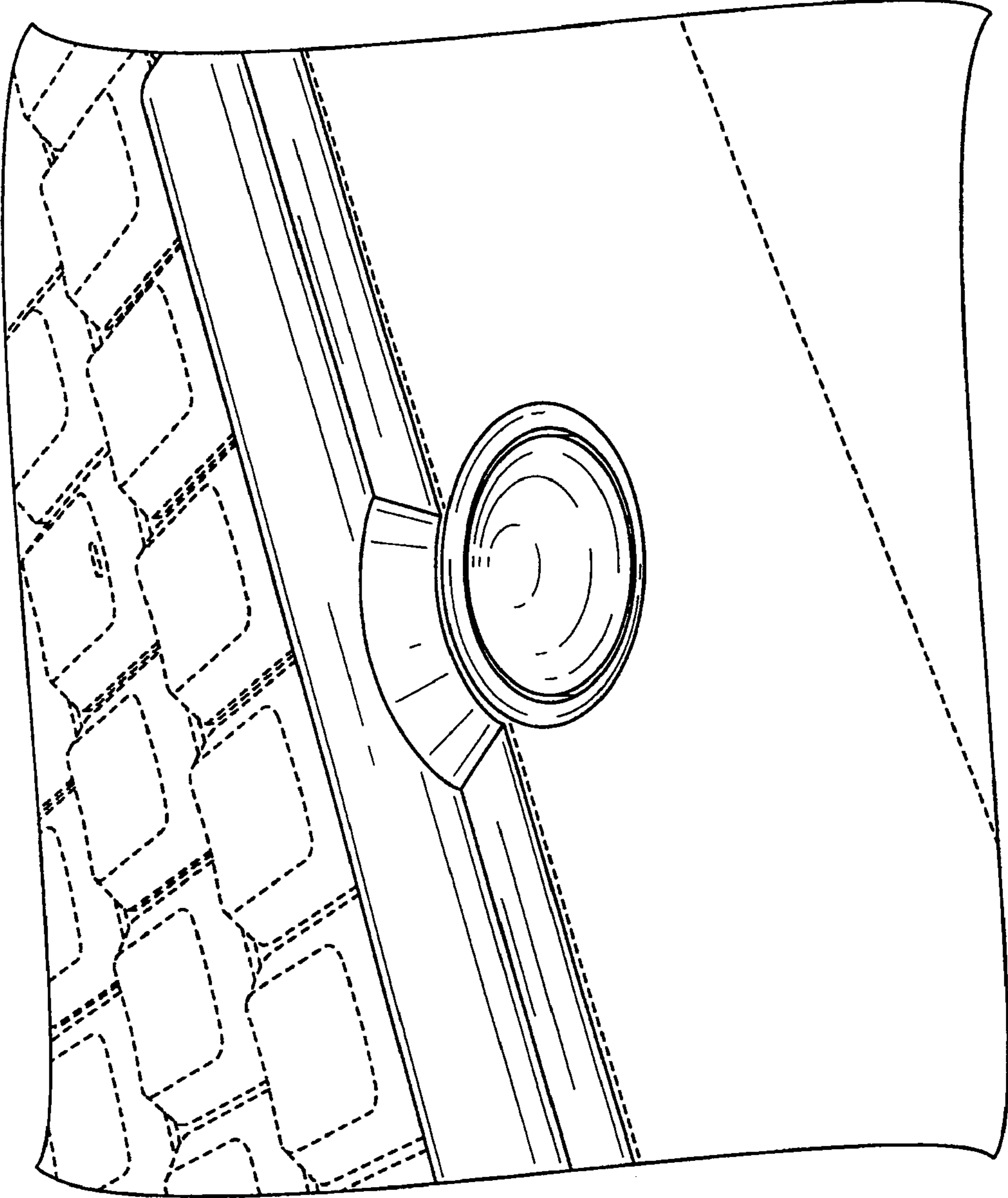


FIG. 6

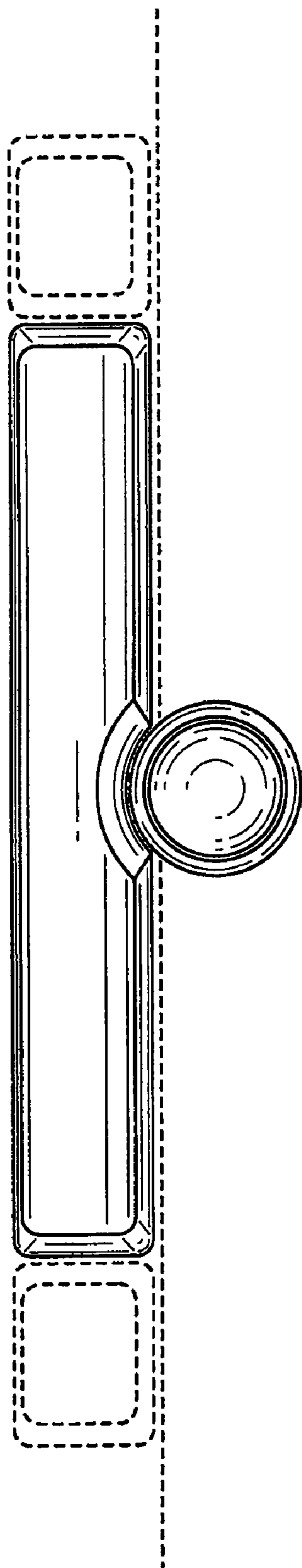


FIG. 7

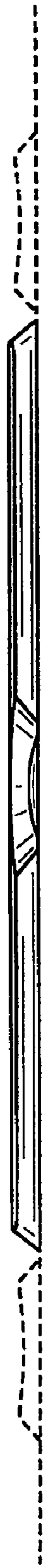


FIG. 8