



US00D580442S

(12) **United States Design Patent**
Kim et al.

(10) **Patent No.:** **US D580,442 S**

(45) **Date of Patent:** **** Nov. 11, 2008**

(54) **LAN CARD FOR WIRELESS DATA COMMUNICATION**

(75) Inventors: **Gui-Young Kim**, Seoul (KR);
Yoon-Young Cho, Seoul (KR);
Chang-Soo Lee, Incheon (KR)

(73) Assignee: **Samsung Electronics Co., Ltd.**,
Suwon-Si (KR)

(**) Term: **14 Years**

(21) Appl. No.: **29/287,197**

(22) Filed: **Jul. 9, 2007**

(30) **Foreign Application Priority Data**

Jun. 8, 2007 (KR) 30-2007-0024740

(51) **LOC (8) Cl.** **14-02**

(52) **U.S. Cl.** **D14/436**

(58) **Field of Classification Search** D14/242,
D14/432-438; 361/600, 622, 683, 684, 686,
361/724-728; D13/184, 123, 110; 379/433.09,
379/433.11-433.13, 419, 440, 428.01, 428.04;
455/550.1, 552.1, 553.1, 554.1, 554.2, 555,
455/557, 556.1, 558, 575.1, 90.3; 439/101,
439/108, 946, 607; 174/52.1, 35 R; 902/26
See application file for complete search history.

(56) **References Cited**

U.S. PATENT DOCUMENTS

- D355,412 S * 2/1995 Rak et al. D14/242
- D364,399 S * 11/1995 Long D14/433
- 5,513,074 A * 4/1996 Ainsbury et al. 361/737
- D371,770 S * 7/1996 Larson et al. D14/242
- D378,085 S * 2/1997 Kerklaan et al. D14/436
- D415,479 S * 10/1999 Yang et al. D14/436
- 6,018,461 A * 1/2000 Biermann et al. 361/737
- D431,035 S * 9/2000 Lehtomaki D14/242
- D452,494 S * 12/2001 Sodling D14/242
- 6,353,534 B1 * 3/2002 Chen 361/684
- D458,935 S * 6/2002 Hiroki D14/436

- 6,400,931 B1 * 6/2002 Inkinen et al. 455/90.1
- D475,701 S * 6/2003 Kasuya et al. D14/242
- D485,561 S * 1/2004 Hong et al. D14/436
- D486,482 S * 2/2004 Huang D14/242
- D489,714 S * 5/2004 Yin et al. D14/242
- D502,181 S * 2/2005 Hong et al. D14/436
- D504,434 S * 4/2005 Katayanagi D14/436
- 2003/0231472 A1 * 12/2003 Tseng et al. 361/737
- 2004/0008502 A1 * 1/2004 Hautier et al. 361/818

* cited by examiner

Primary Examiner—Melanie Tung

Assistant Examiner—Susan Moon Lee

(74) *Attorney, Agent, or Firm*—Staas & Halsey LLP

(57) **CLAIM**

The ornamental design for a LAN card for wireless data communication, as shown and described.

DESCRIPTION

FIG. 1 is a perspective view of a LAN card for wireless data communication;

FIG. 2 is a front view of the LAN card for wireless data communication of FIG. 1;

FIG. 3 is a rear view of the LAN card for wireless data communication of FIG. 1;

FIG. 4 is left-side of the LAN card for wireless data communication of FIG. 1;

FIG. 5 is right-side of the LAN card for wireless data communication of FIG. 1;

FIG. 6 is top plan view of the LAN card for wireless data communication of FIG. 1;

FIG. 7 is bottom plan view of the LAN card for wireless data communication of FIG. 1;

FIG. 8 is a perspective view of the LAN card for wireless data communication of FIG. 1, with antenna spread open; and,

FIG. 9 is another top plan view of the LAN card for wireless data communication of FIG. 1, with antenna spread open.

1 Claim, 6 Drawing Sheets

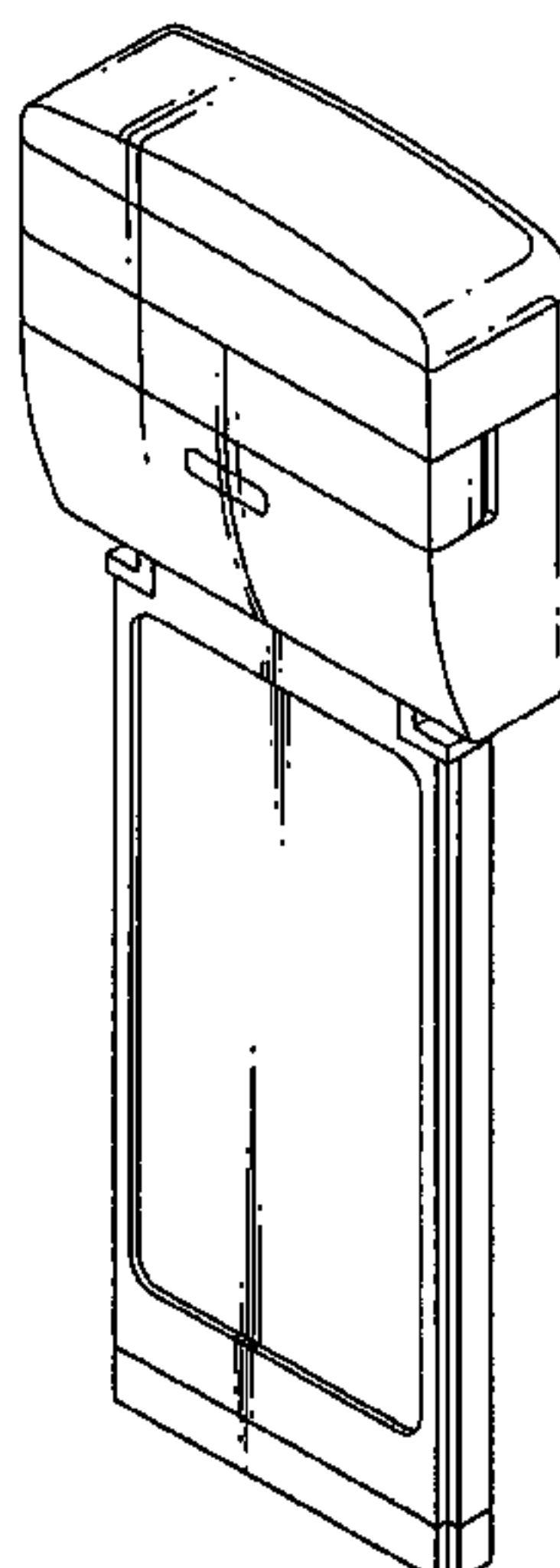


FIG. 1

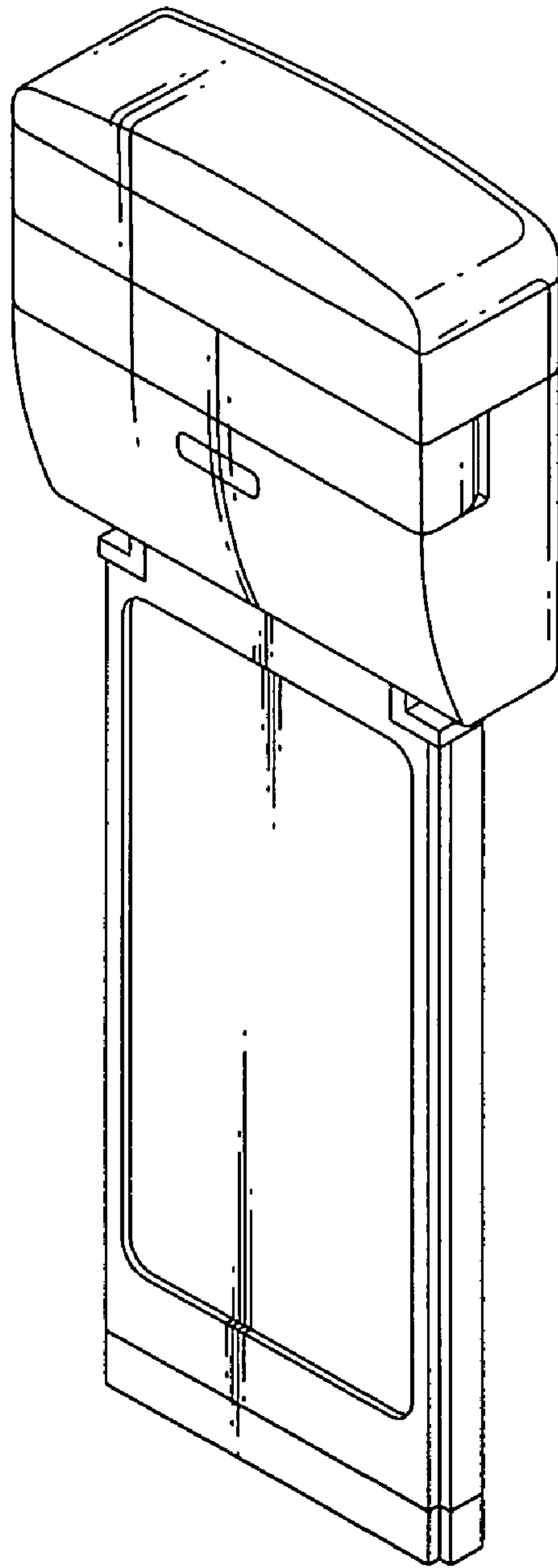


FIG. 2

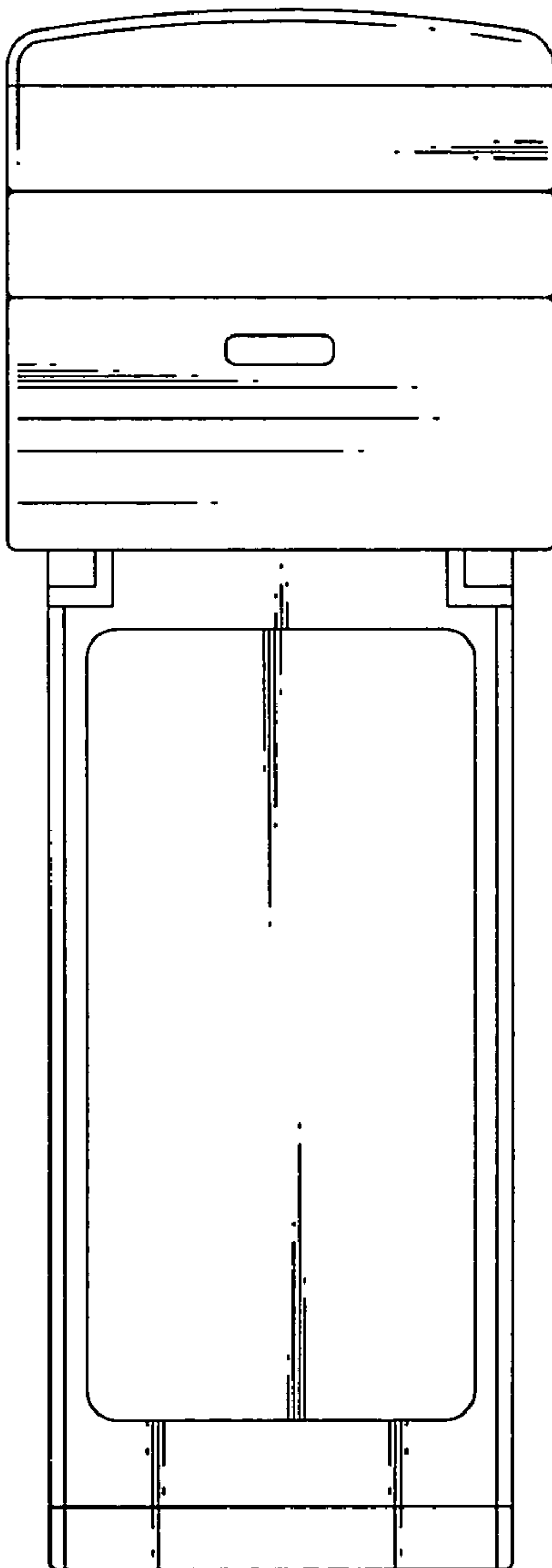


FIG. 3

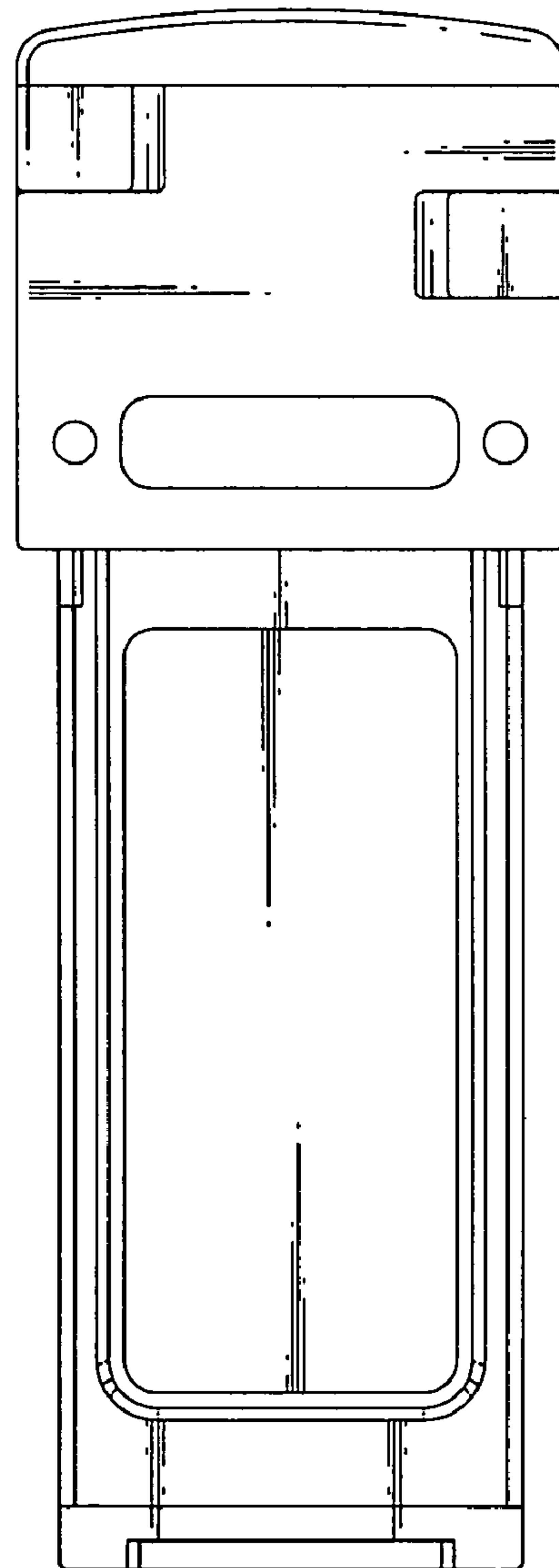


FIG. 4

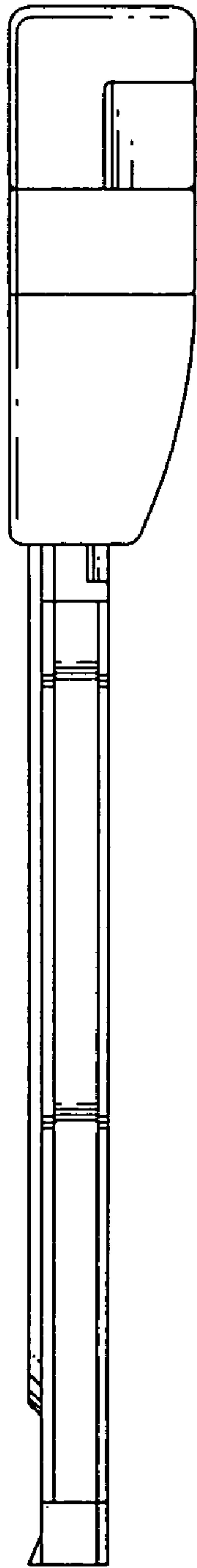


FIG. 5

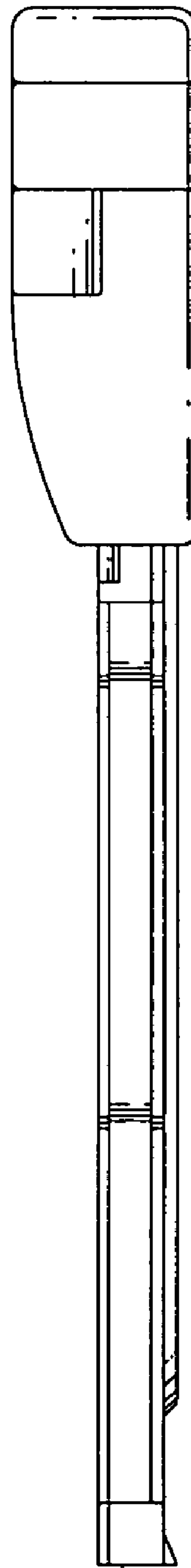


FIG. 6



FIG. 7

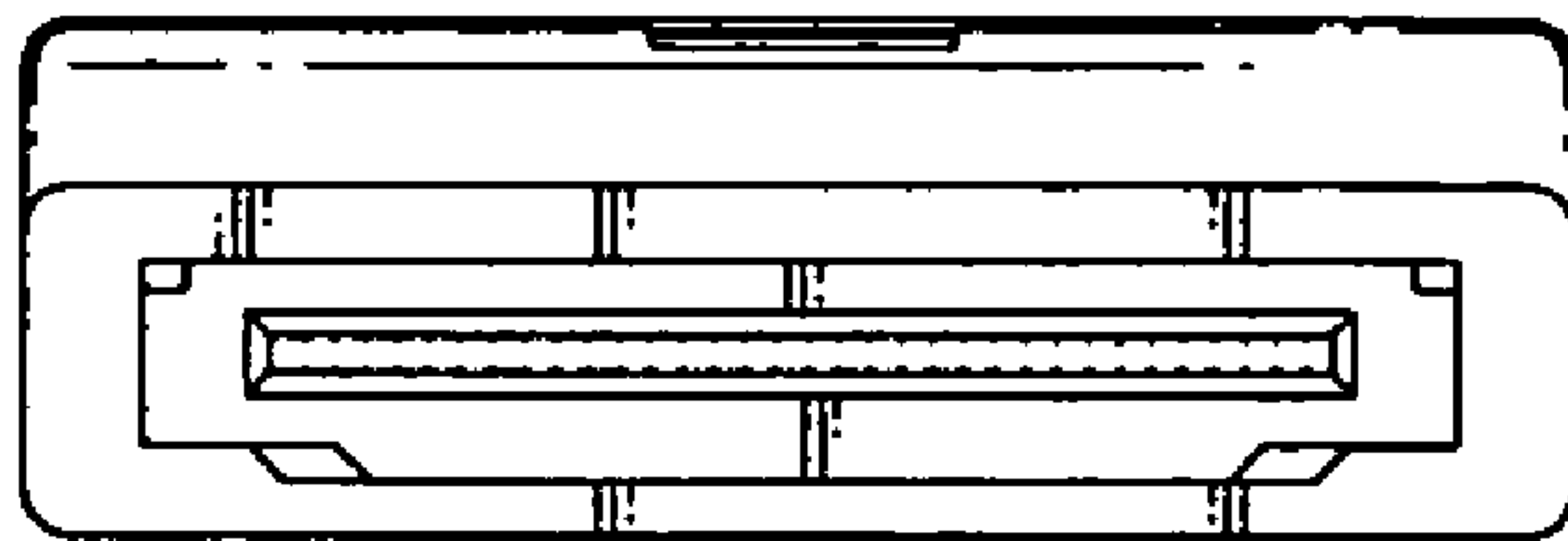


FIG. 8

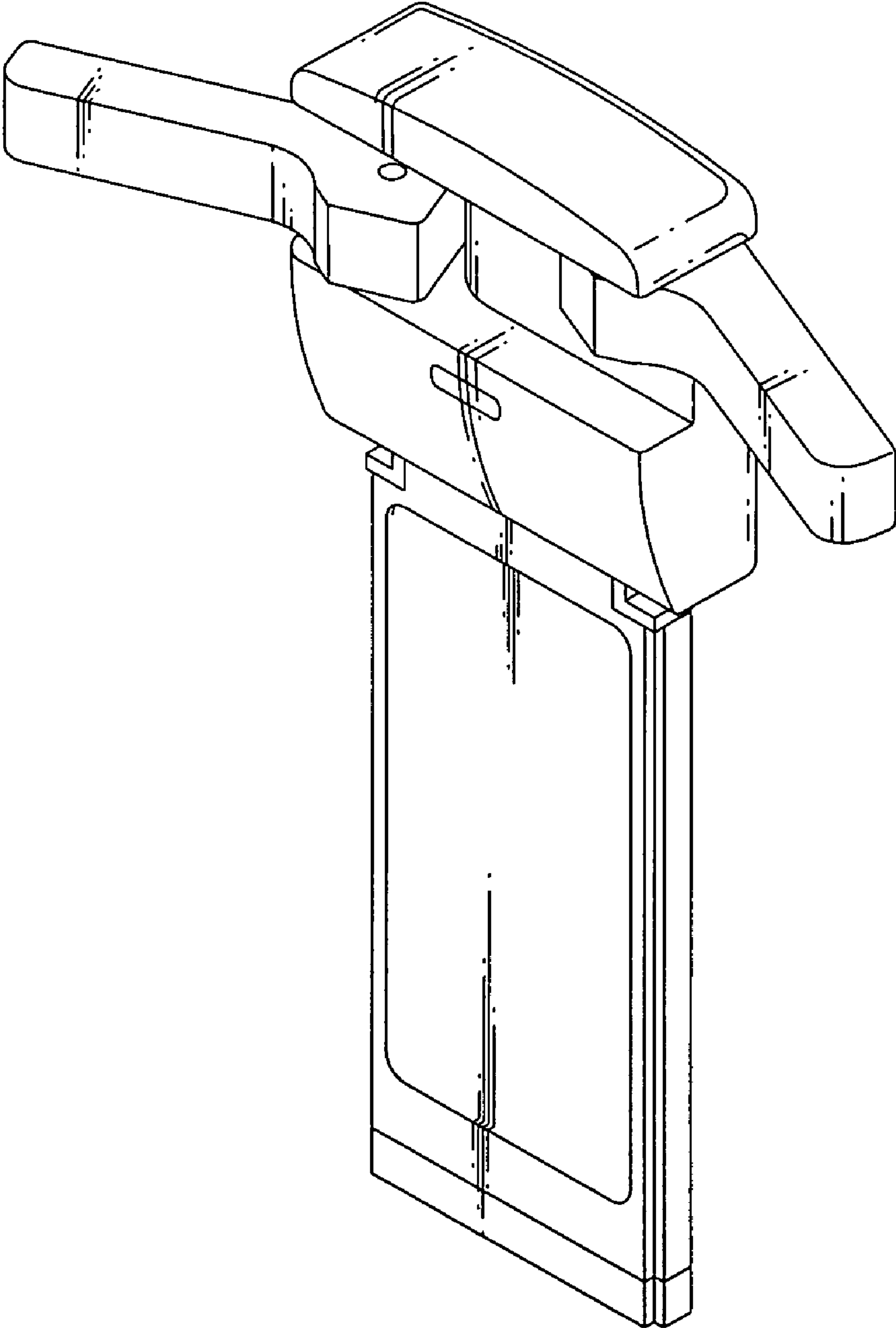


FIG. 9

