



US00D580438S

(12) **United States Design Patent**  
**Kuchler**

(10) **Patent No.:** **US D580,438 S**

(45) **Date of Patent:** **\*\* Nov. 11, 2008**

(54) **CARDREADER**

(75) Inventor: **Marcus Kuchler**, Munich (DE)

(73) Assignee: **Cherry GmbH**, Auerbach (DE)

(\*\*) Term: **14 Years**

(21) Appl. No.: **29/297,662**

(22) Filed: **Nov. 15, 2007**

(30) **Foreign Application Priority Data**

Sep. 11, 2007 (EM) ..... 000787627

(51) **LOC (8) Cl.** ..... **14-02**

(52) **U.S. Cl.** ..... **D14/385**

(58) **Field of Classification Search** ..... D14/383-389,  
D14/424, 356-358, 363, 365, 367-370, 432,  
D14/434, 441, 442, 344, 347, 439; 235/441,  
235/451, 492, 380, 439; 439/160, 327; 361/740,  
361/679, 684, 686, 728, 736, 741, 807, 808  
See application file for complete search history.

(56) **References Cited**

**U.S. PATENT DOCUMENTS**

D366,472	S	*	1/1996	Youens	.....	D14/367
5,601,489	A	*	2/1997	Komaki	.....	235/146
D410,916	S	*	6/1999	Oba	.....	D14/432
D412,494	S	*	8/1999	Tamaki et al.	.....	D14/314
6,068,186	A	*	5/2000	Jubert	.....	235/441
6,075,706	A	*	6/2000	Learmonth et al.	.....	361/737
D450,707	S	*	11/2001	Francavilla et al.	.....	D14/434
D451,508	S	*	12/2001	Liston et al.	.....	D14/385
D451,509	S	*	12/2001	Liston et al.	.....	D14/385
D461,807	S	*	8/2002	Kuehn et al.	.....	D14/367

D465,486	S	*	11/2002	Lee	.....	D14/341
D469,438	S	*	1/2003	Corrales	.....	D14/432
6,735,075	B1	*	5/2004	Lin	.....	361/679
6,736,318	B2	*	5/2004	Reichardt et al.	.....	235/441
6,769,614	B2	*	8/2004	Kanayama	.....	235/449
6,840,447	B2	*	1/2005	Hirata et al.	.....	235/451
6,915,957	B2	*	7/2005	Kisliakov	.....	235/492
6,971,583	B2	*	12/2005	Kisliakov	.....	235/492
D522,512	S	*	6/2006	Little et al.	.....	D14/385
D544,487	S	*	6/2007	Hussaini et al.	.....	D14/434
D558,199	S	*	12/2007	Fiorentino	.....	D14/356
2002/0066785	A1	*	6/2002	Liston et al.	.....	235/441
2007/0040017	A1	*	2/2007	Kozlay	.....	235/380
2007/0148537	A1	*	6/2007	Nakatani et al.	.....	429/100

\* cited by examiner

*Primary Examiner*—Cathron Brooks

*Assistant Examiner*—Deanna Fluegeman

(74) *Attorney, Agent, or Firm*—Blank Rome LLP

(57) **CLAIM**

An ornamental design for a cardreader, as shown and described.

**DESCRIPTION**

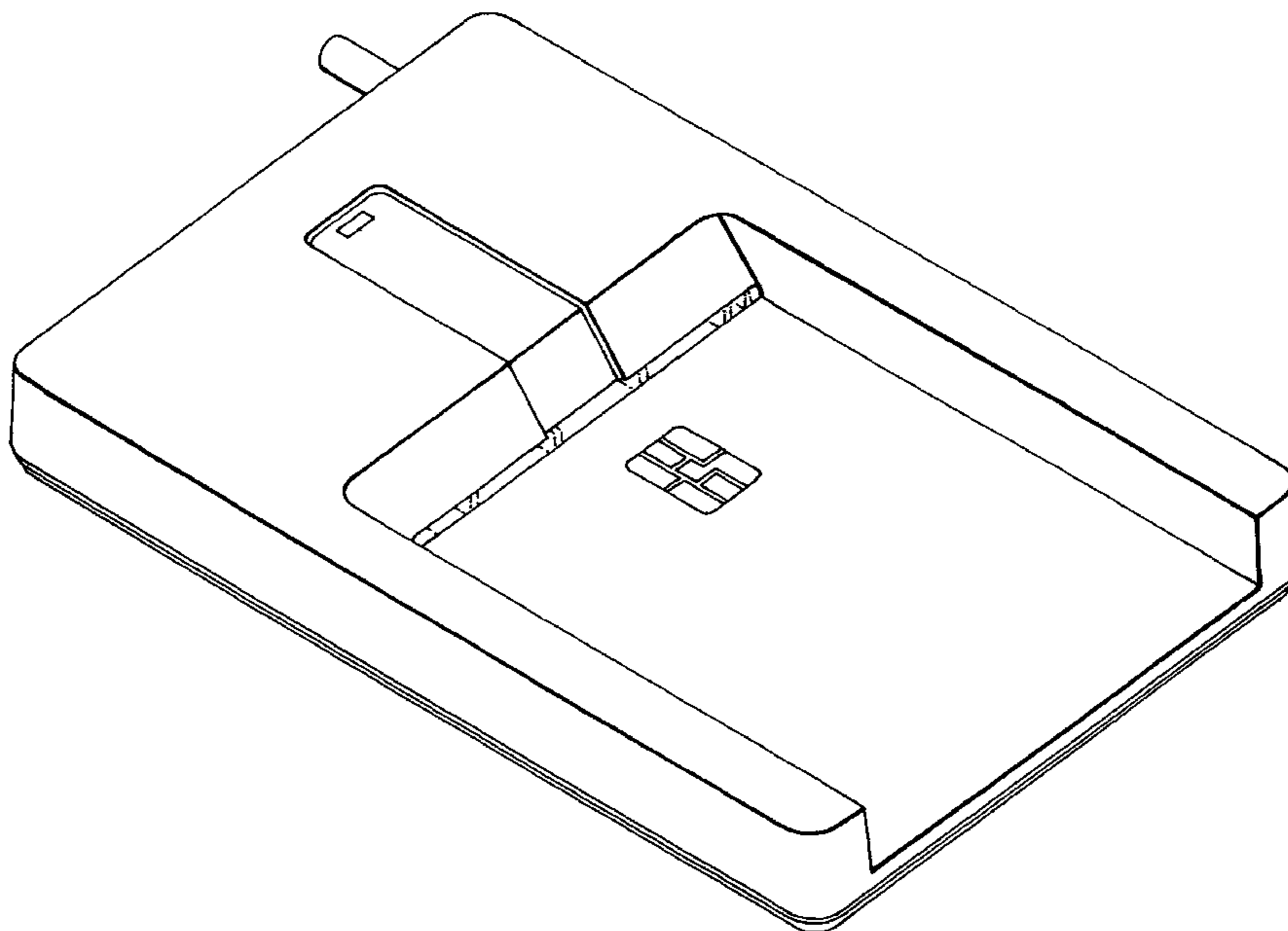
FIG. 1 is a top view of a cardreader;

FIG. 2 is a top left perspective view of the cardreader shown in FIG. 1;

FIG. 3 is a top right perspective view of the cardreader shown in FIG. 1; and,

FIG. 4 is a bottom left perspective view of the cardreader shown in FIG. 1. The portions of the cardreader shown in broken lines form no part of the claimed design.

**1 Claim, 4 Drawing Sheets**



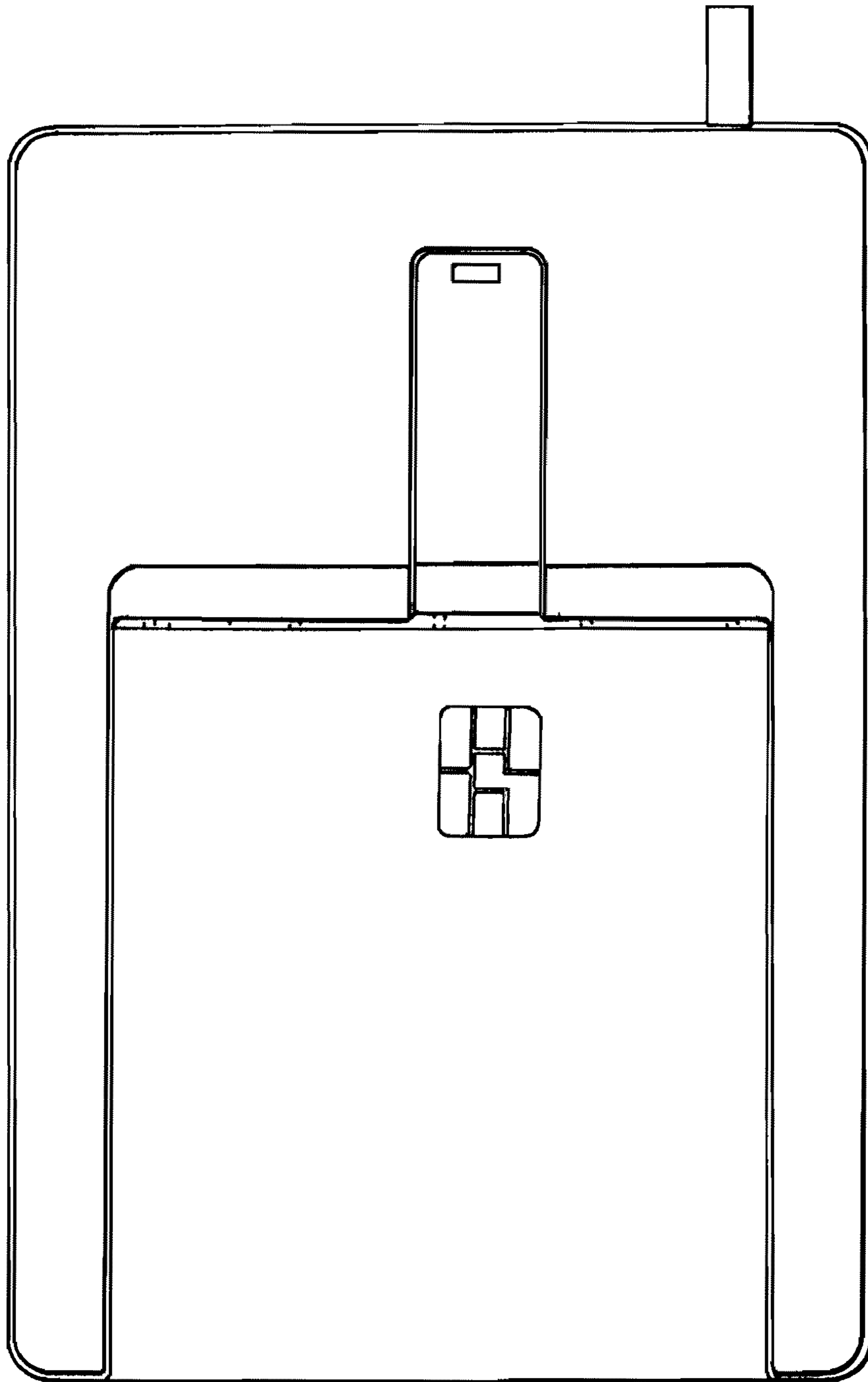


FIG. 1

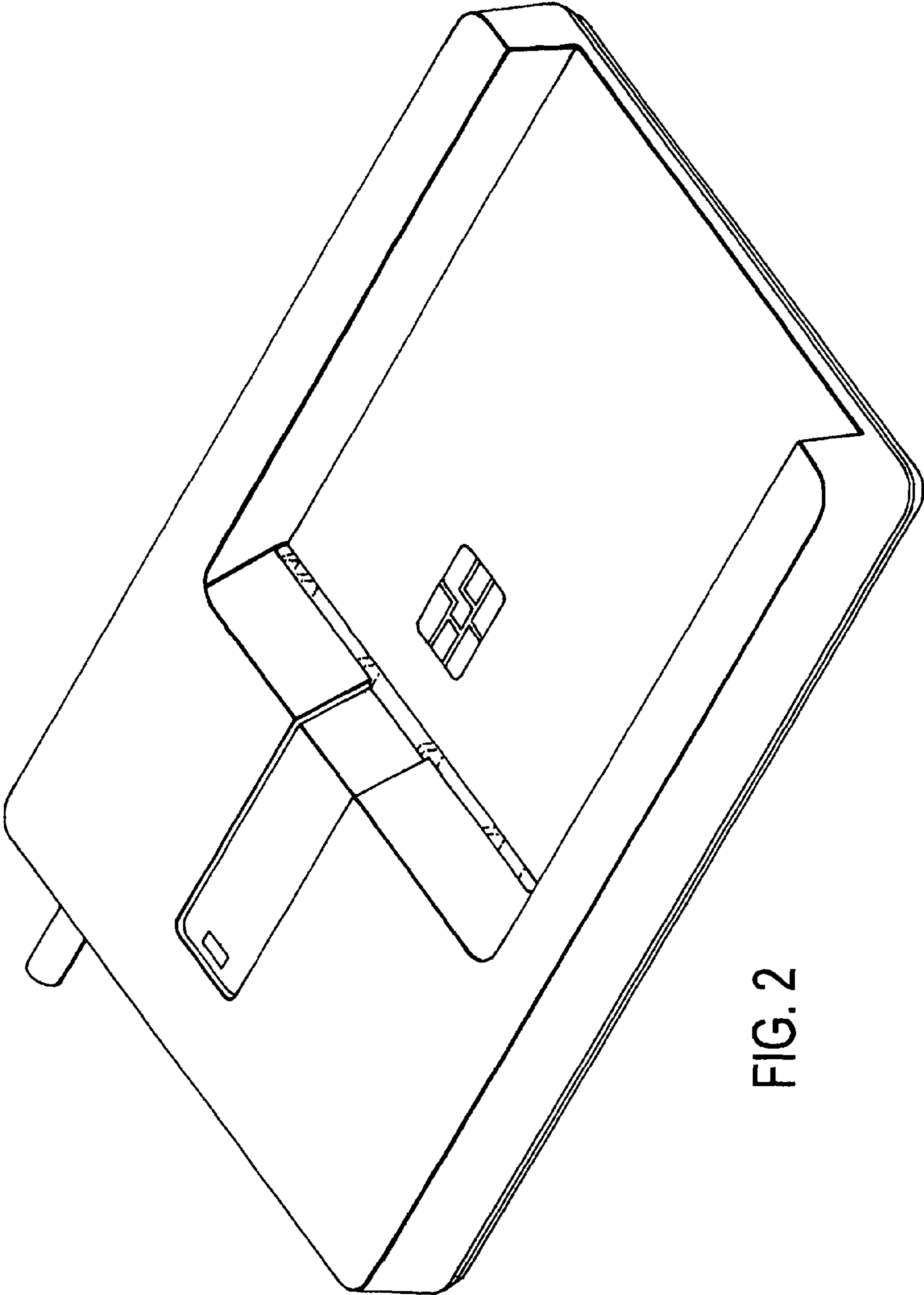


FIG. 2

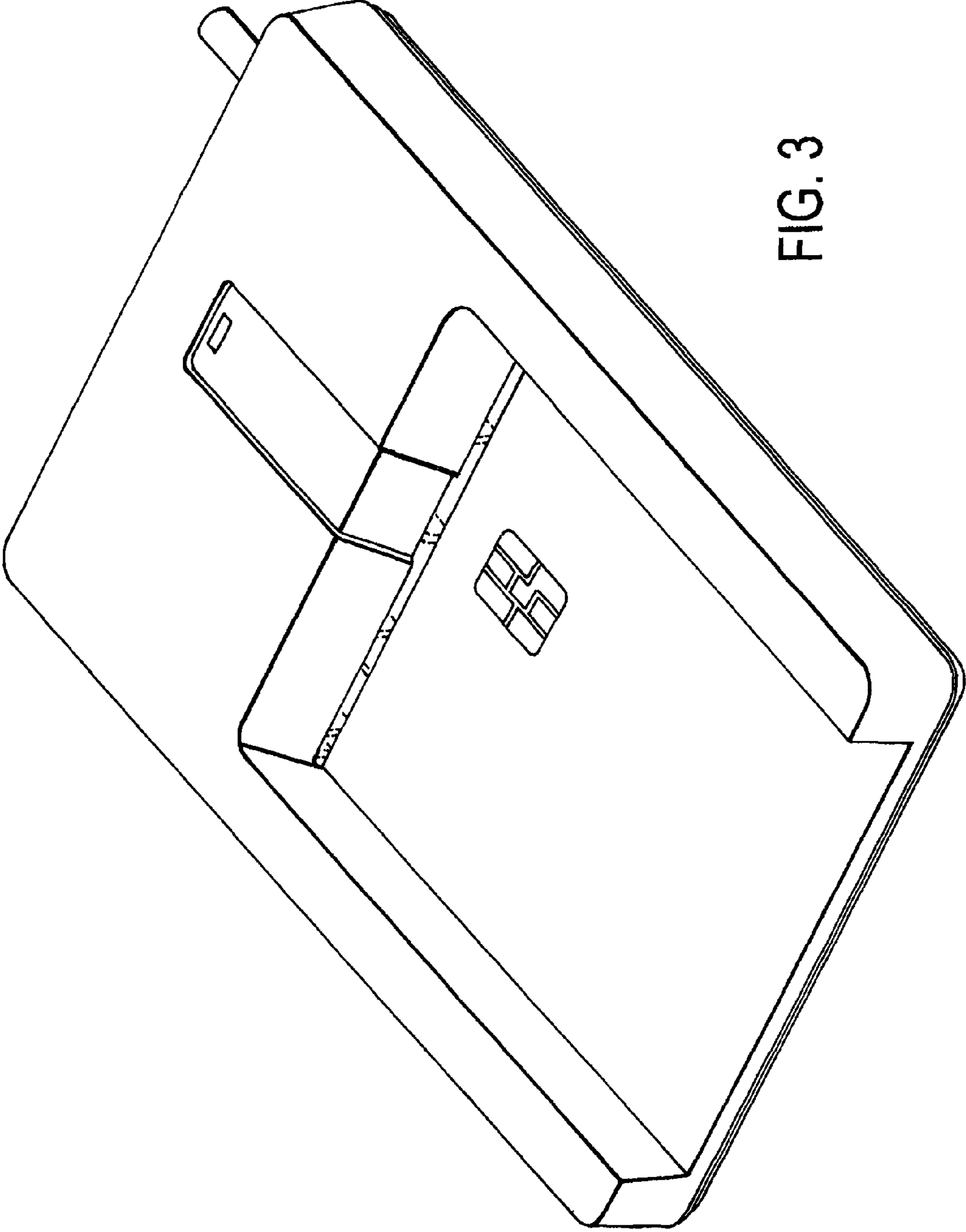


FIG. 3

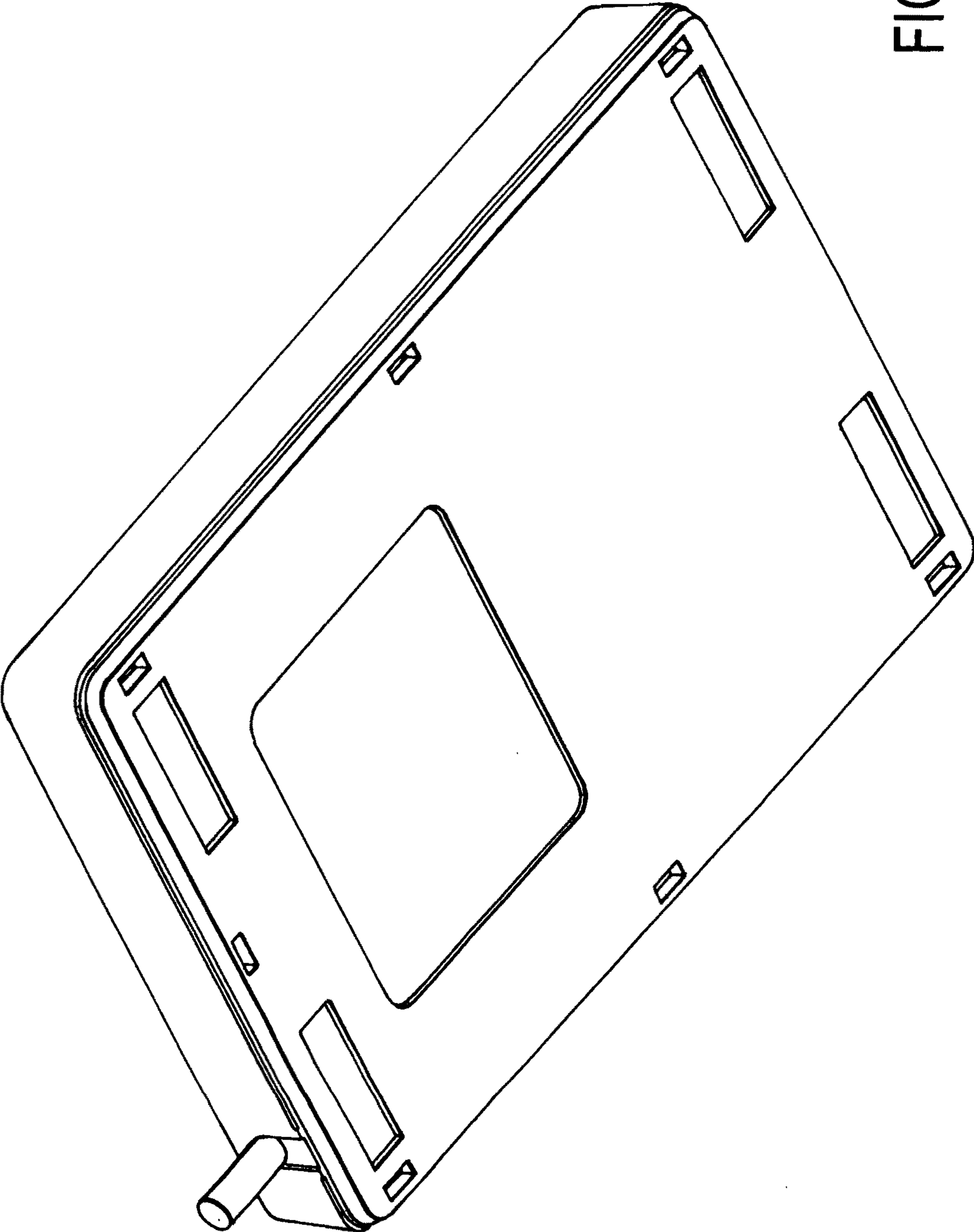


FIG. 4