



US00D580436S

(12) **United States Design Patent**
Kiyomiya et al.

(10) **Patent No.:** **US D580,436 S**

(45) **Date of Patent:** **** Nov. 11, 2008**

(54) **TRANSMITTER**

(75) Inventors: **Masaaki Kiyomiya**, Iruma (JP);
Kazuyuki Fujii, Iruma (JP); **Yukio Iikura**, Tama (JP)

(73) Assignees: **Teac Corporation**, Tokyo (JP); **YE Data Inc.**, Saitama-ken (JP)

(**) Term: **14 Years**

(21) Appl. No.: **29/300,899**

(22) Filed: **May 28, 2008**

(30) **Foreign Application Priority Data**

Apr. 17, 2008 (JP) 2008-009914

(51) **LOC (8) Cl.** **14-02**

(52) **U.S. Cl.** **D14/358**

(58) **Field of Classification Search** D14/356,
D14/358, 432, 433, 137, 138, 140, 155, 188,
D14/217, 240, 299, 191; D13/110, 184;
439/488, 490, 901; 379/1.03, 38, 39, 42,
379/67.1, 88.17, 90.01, 93.01, 93.17, 142.07,
379/219, 220.01, 221.14, 221.15, 387.01,
379/397, 399.01, 419, 428.01, 457; 455/3.01,
455/3.05, 3.06, 426.1, 500, 73, 74, 556.1,
455/561, 575.1, 89, 91, 95, 130, 132, 344,
455/347, 899, FOR. 254

See application file for complete search history.

(56) **References Cited**

U.S. PATENT DOCUMENTS

D338,193 S * 8/1993 Sasaki D14/433

D390,553 S * 2/1998 Beaumont et al. D14/137

D433,642 S * 11/2000 Bauman D14/358

D439,243 S * 3/2001 Miyazaki D14/137

D460,452 S * 7/2002 Yoshie D14/358

* cited by examiner

Primary Examiner—Brian N Vinson

(74) *Attorney, Agent, or Firm*—Manabu Kanesaka

(57) **CLAIM**

The ornamental design for a transmitter, as shown and described.

DESCRIPTION

FIG. 1 is a perspective view of a transmitter showing our new design;

FIG. 2 is a front view thereof;

FIG. 3 is a rear view thereof;

FIG. 4 is a plan view thereof;

FIG. 5 is a bottom view thereof;

FIG. 6 is a left side view thereof;

FIG. 7 is a right side view thereof; and,

FIG. 8 is a perspective view thereof in a state wherein an antenna is rotated.

1 Claim, 5 Drawing Sheets

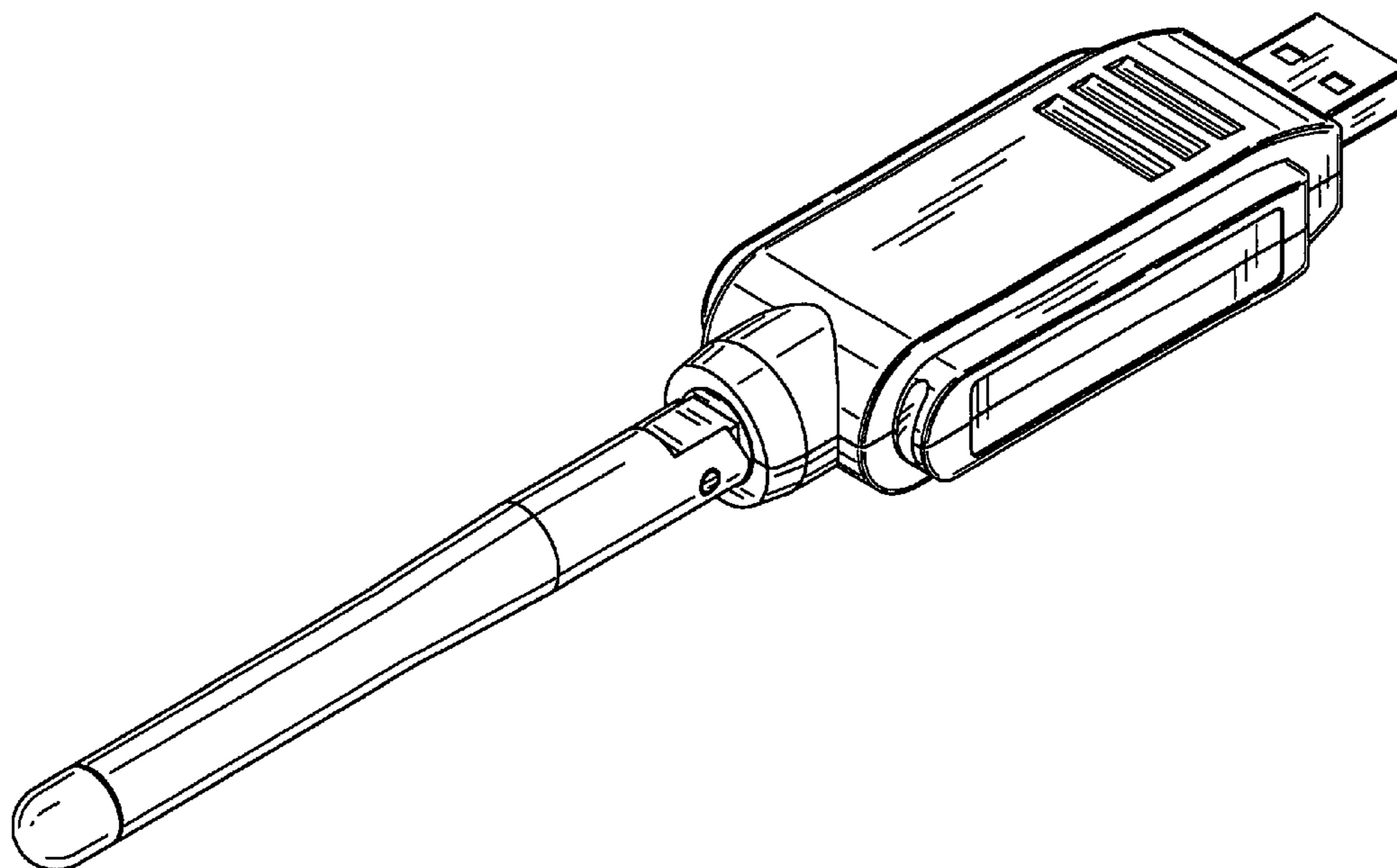


Fig. 1

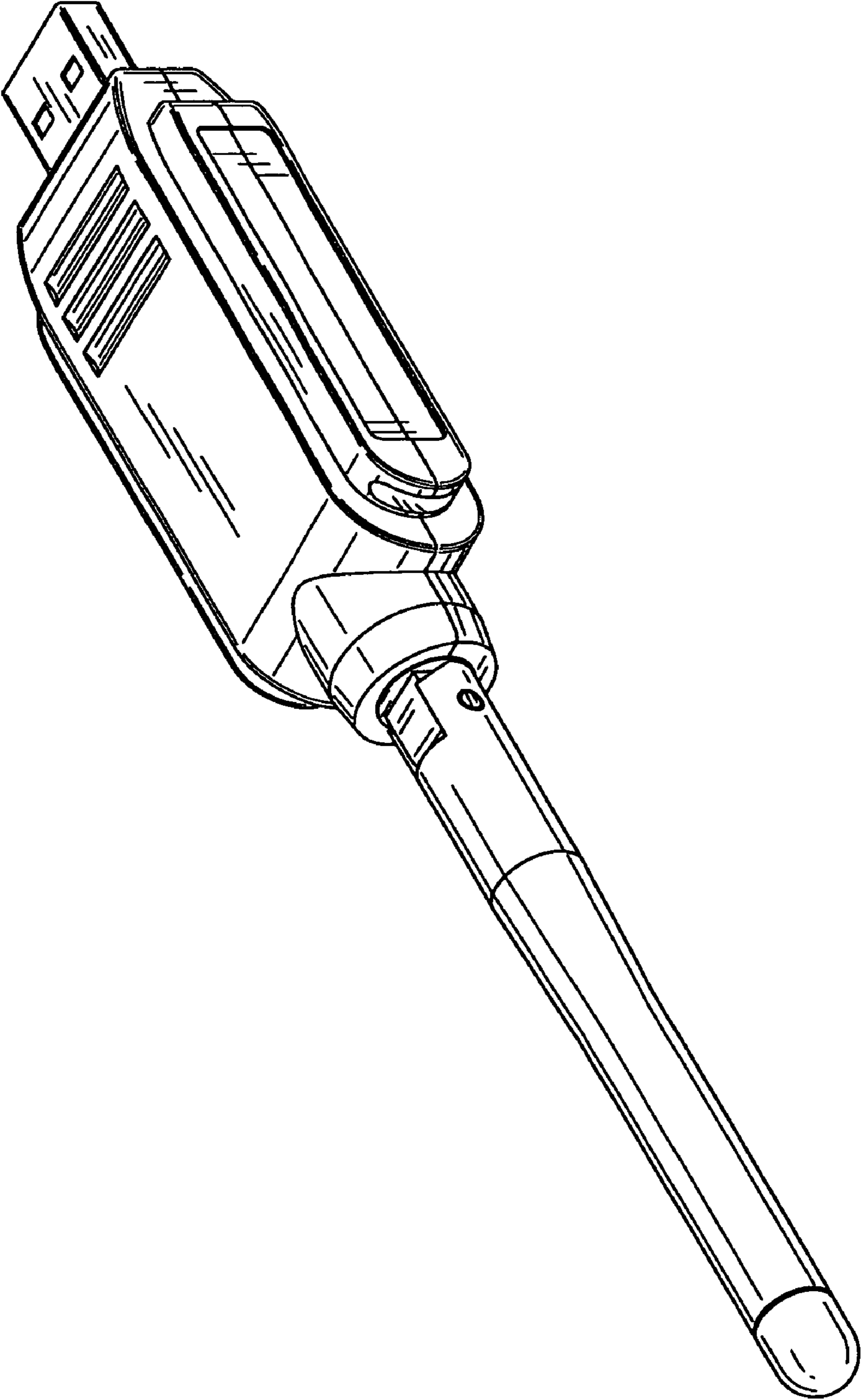


Fig. 2

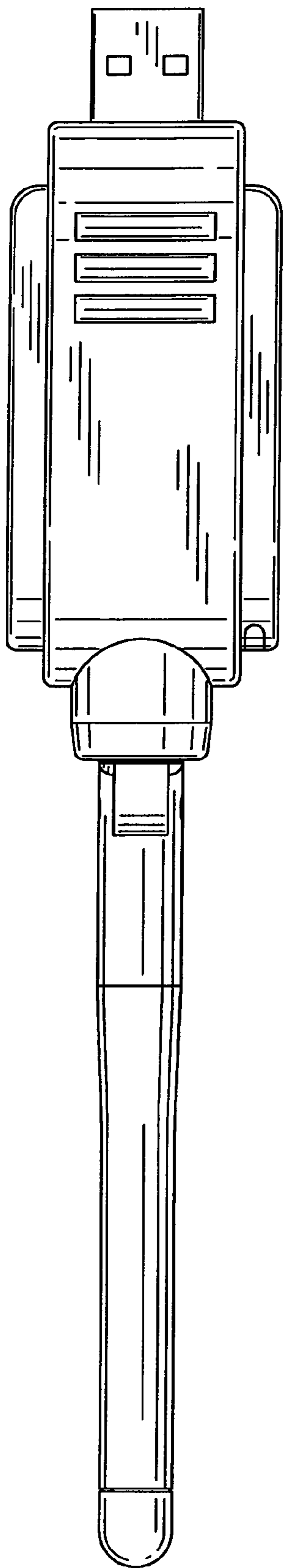


Fig. 3

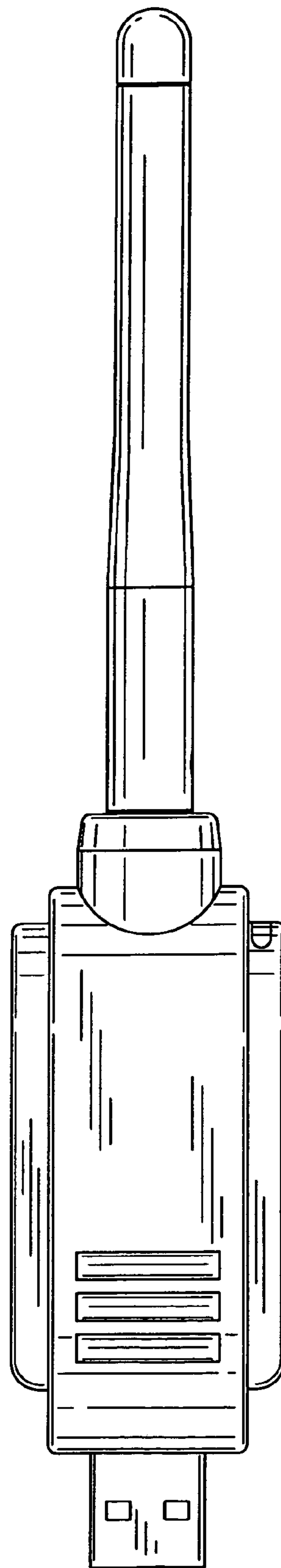


Fig. 4

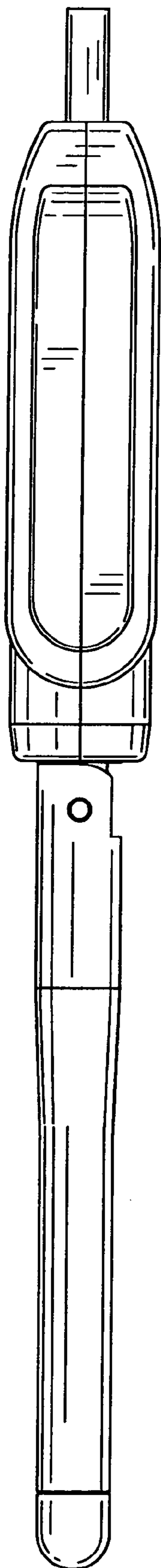


Fig. 5

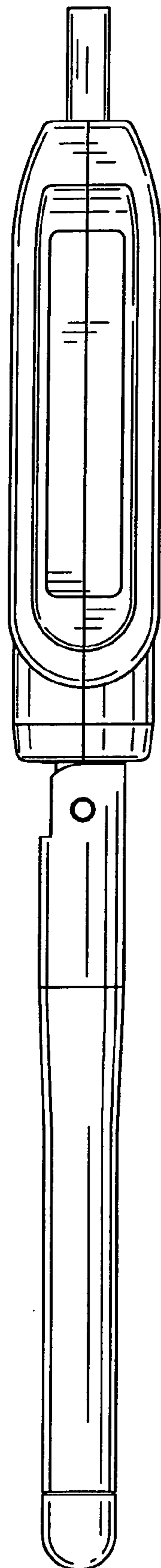


Fig. 6

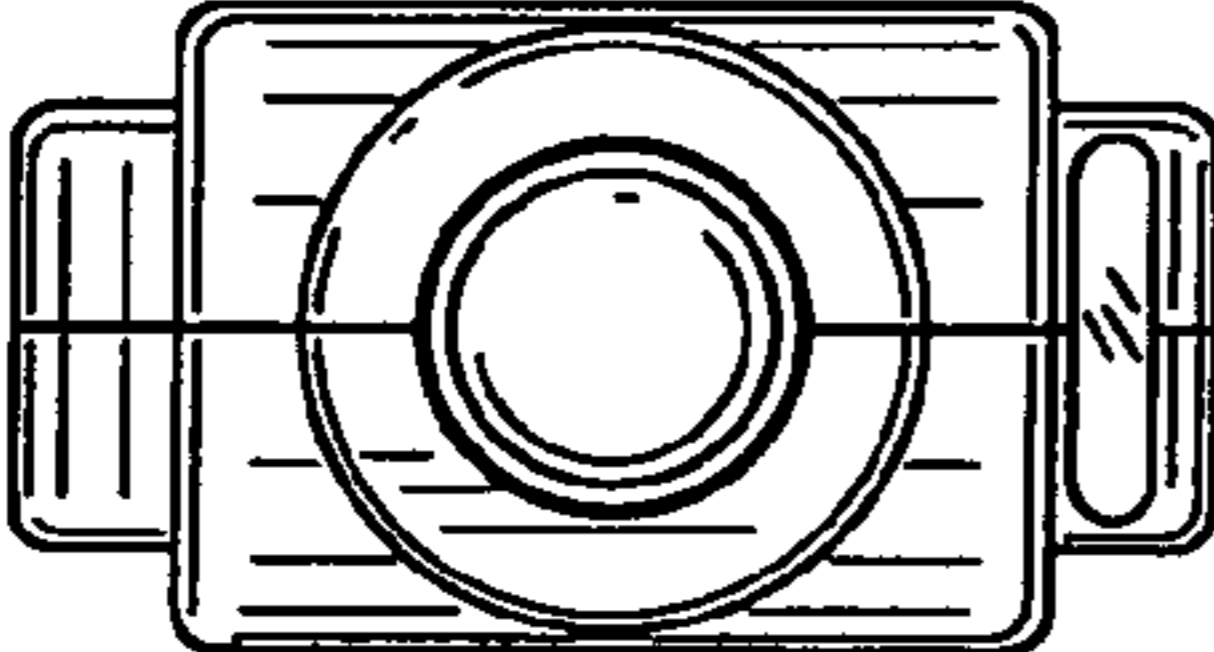


Fig. 7

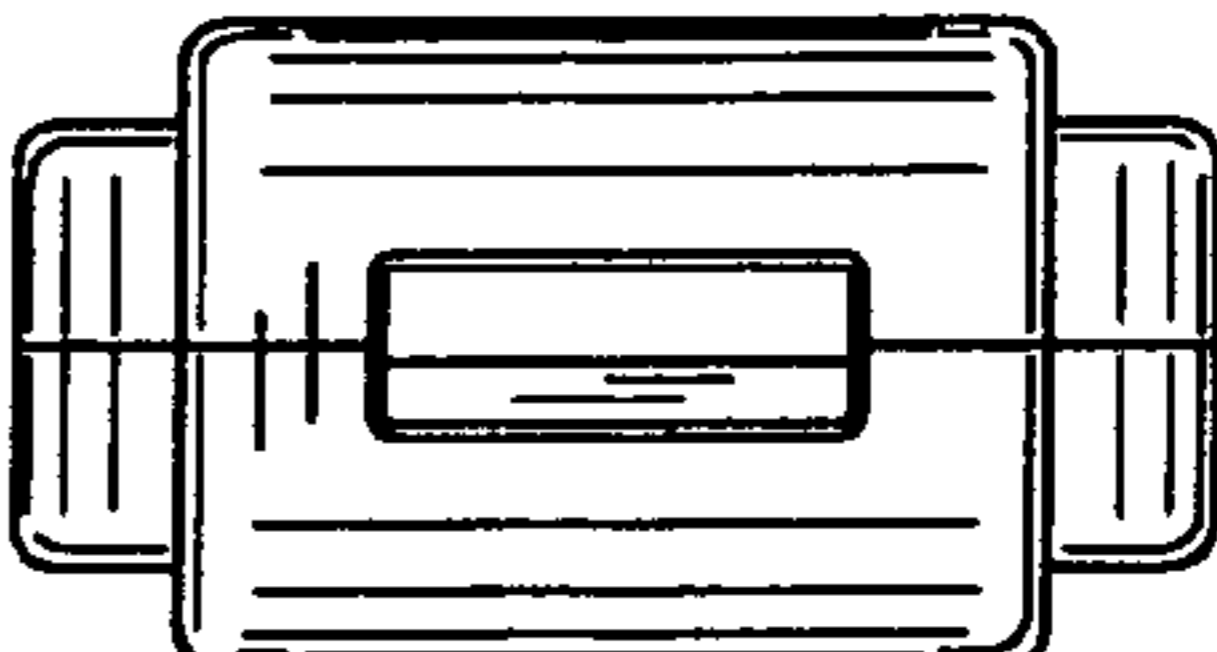


Fig. 8

