



US00D580434S

(12) **United States Design Patent**
Kim

(10) **Patent No.:** **US D580,434 S**

(45) **Date of Patent:** **** Nov. 11, 2008**

(54) **MOBILE CARD READER**

(75) Inventor: **Hyekyung (Sophia) Kim**, Lathrop, CA (US)

(73) Assignee: **Micron Technology, Inc.**, Boise, ID (US)

(**) Term: **14 Years**

(21) Appl. No.: **29/286,513**

(22) Filed: **May 9, 2007**

(51) **LOC (8) Cl.** **14-02**

(52) **U.S. Cl.** **D14/356**

(58) **Field of Classification Search** D14/411,
D14/384-385, 518, 348, 432-436, 299, 167,
D14/402, 242, 356, 358, 496, 156, 240; 455/344;
710/300-301; 361/684-686; 439/518, 139-141,
439/131, 607, 133; 365/63

See application file for complete search history.

(56) **References Cited**

U.S. PATENT DOCUMENTS

D444,788	S	*	7/2001	Do et al.	D14/433
D487,458	S	*	3/2004	Gentil et al.	D14/356
6,758,689	B1	*	7/2004	Bair et al.	436/136
6,926,544	B2	*	8/2005	Lee	439/147
6,932,629	B2	*	8/2005	Ikenoue	439/136
D510,928	S	*	10/2005	Bair et al.	D14/230
D520,995	S	*	5/2006	Chang	D14/356
7,275,941	B1	*	10/2007	Bushby	439/133
D556,195	S	*	11/2007	Lin	D14/356
D556,196	S	*	11/2007	Cheng	D14/356
7,295,431	B2	*	11/2007	Chuang	439/131
D556,751	S	*	12/2007	Rambosek et al.	D14/356
D566,114	S	*	4/2008	Chu	D14/356

OTHER PUBLICATIONS

The Definitive Flash Drive Collection : Plastic—Web Archive, [online] Oct. 28, 2005 [retrieved on Jul. 6, 2007]. Retrieved from the

Internet <URL: <http://web.archive.org/web/20051028160915/http://www.thedefinitiveflashdrivecollection.com/plastic-heart.html>>.*

(Continued)

Primary Examiner—Robin V. Webster

Assistant Examiner—Karen E Kearney

(74) *Attorney, Agent, or Firm*—Leffert Jay & Polglaze, P.A.

(57) **CLAIM**

The ornamental design for a mobile card reader, as shown and described.

DESCRIPTION

FIG. 1 is a top perspective view of the mobile card reader in a non-operational configuration;

FIG. 2 is a rear view of the mobile card reader in the non-operational configuration;

FIG. 3 is a top view of the mobile card reader in the non-operational configuration, the bottom being a mirror image thereof;

FIG. 4 is a right-side view of the mobile card reader in the non-operational configuration;

FIG. 5 is a front view of the mobile card reader in the non-operational configuration;

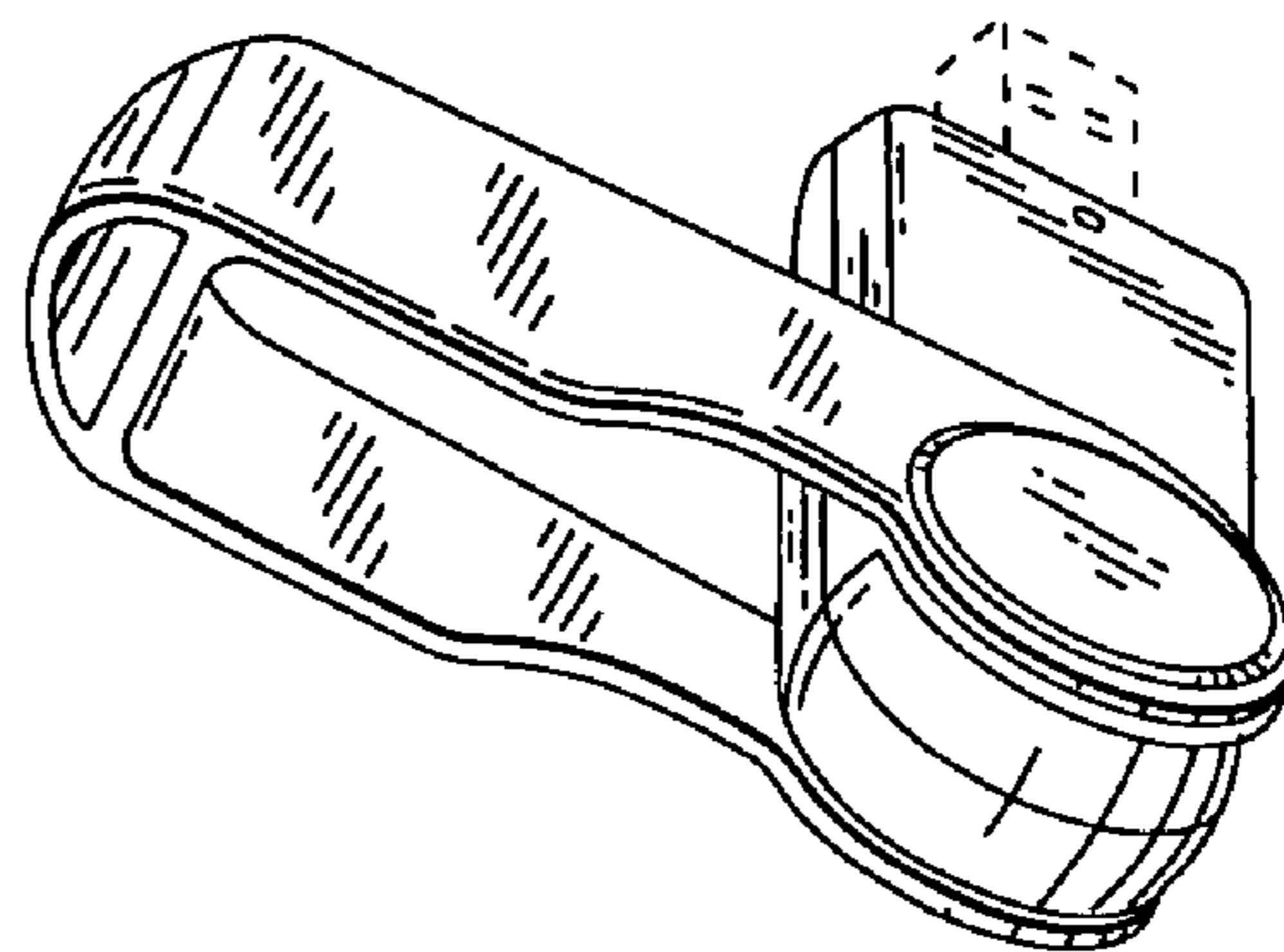
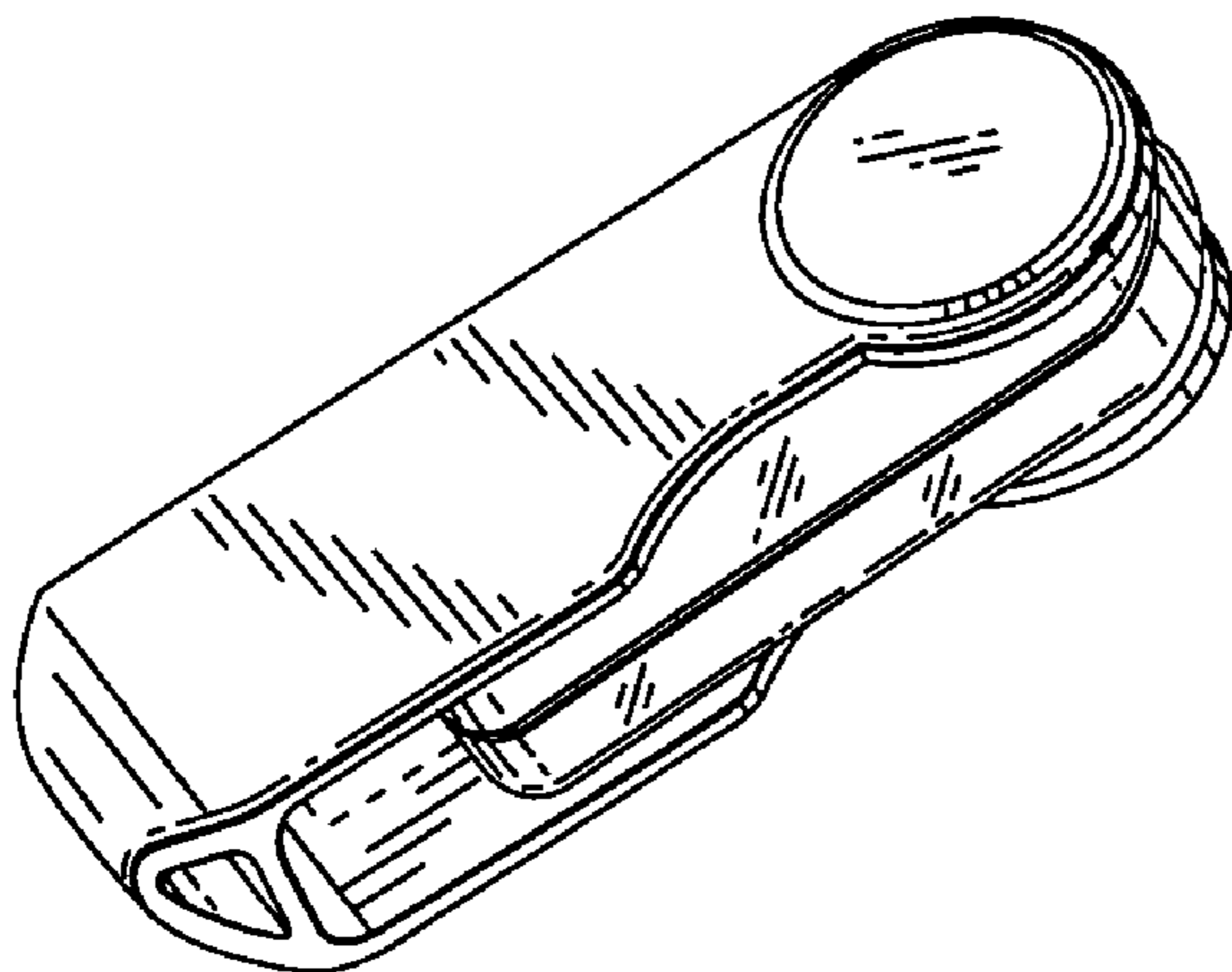
FIG. 6 is a left-side view of the mobile card reader in the non-operational configuration;

FIG. 7 is a top view of the mobile card reader in an operational configuration, the bottom being a mirror image thereof; and,

FIG. 8 is a bottom perspective view of the mobile card reader in another operational configuration.

The broken-line showing of a Universal Serial Bus (USB) male connector in the various figures and the broken-line showing of the card slots in FIG. 2 are for environmental purposes only and form no part of the claimed design.

1 Claim, 2 Drawing Sheets



OTHER PUBLICATIONS

Imation flash drive [online], [retrieved on Dec. 4, 2006]. Retrieved from the Internet <URL: <http://www.sosoft.net/product/imation/5464-3.png>>.*

Functional Keychains: USB Rechargeable Keychain Light—Web Archive, [online] Dec. 26, 2005 [retrieved on Dec. 6, 2006]. Retrieved from the Internet <URL: <http://web.archive.org/web/>

20051226115851/<http://www.promotionalkeychains.biz/usb-keychain-light.html>>.*

Shenzhen E-Power Electronic Co., Ltd., China, p. 3 [online], [retrieved on Jul. 6, 2007]. Retrieved from the Internet <URL: <http://e-power.en.alibaba.com/product/50170854/51011685/>

USB_Flash_Drives_Di..._USB_Memory_Sticks/

U83_Fashionable_Heart_Shape_USB_Flash_Drive/showimg.html>.*

* cited by examiner

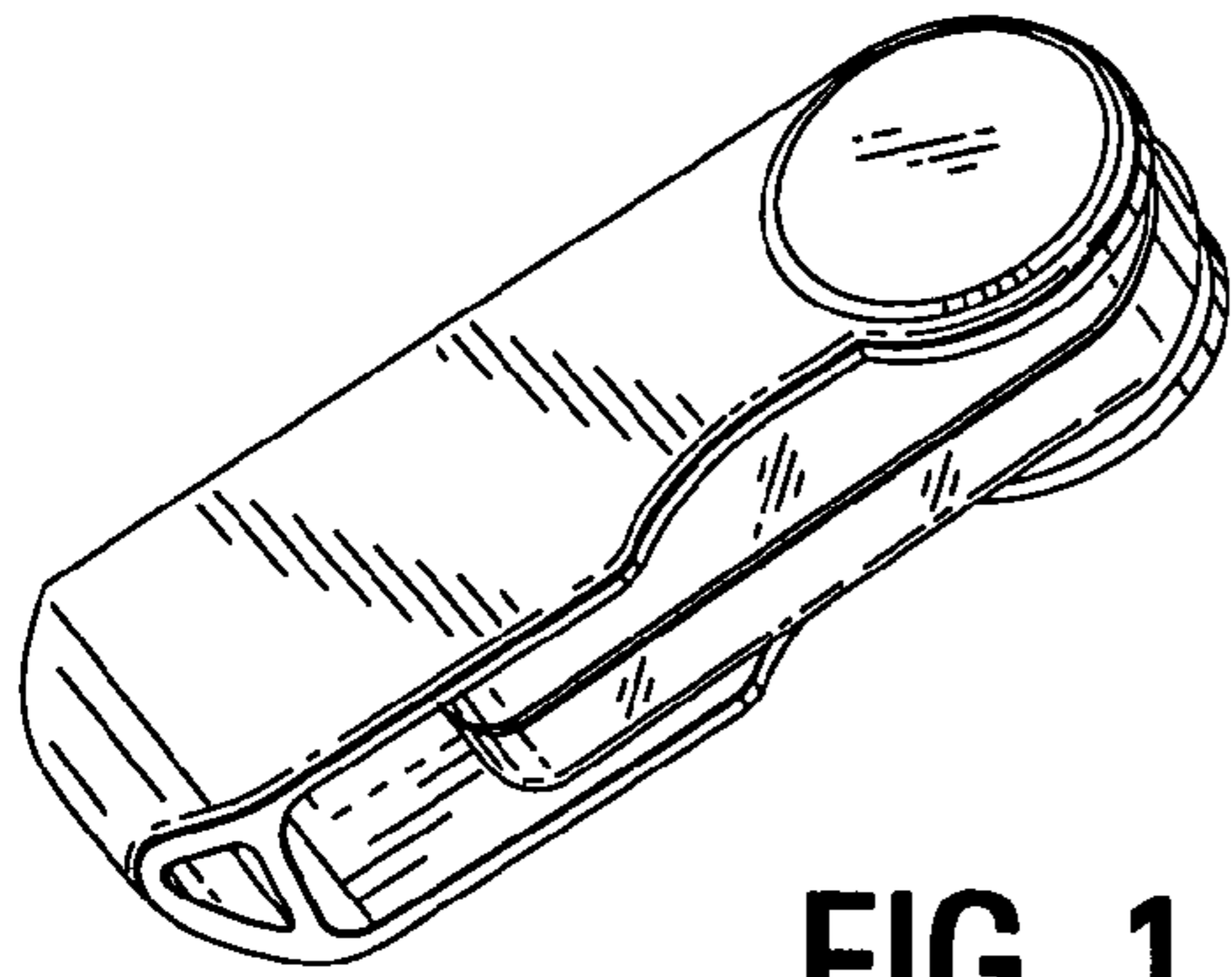


FIG. 1

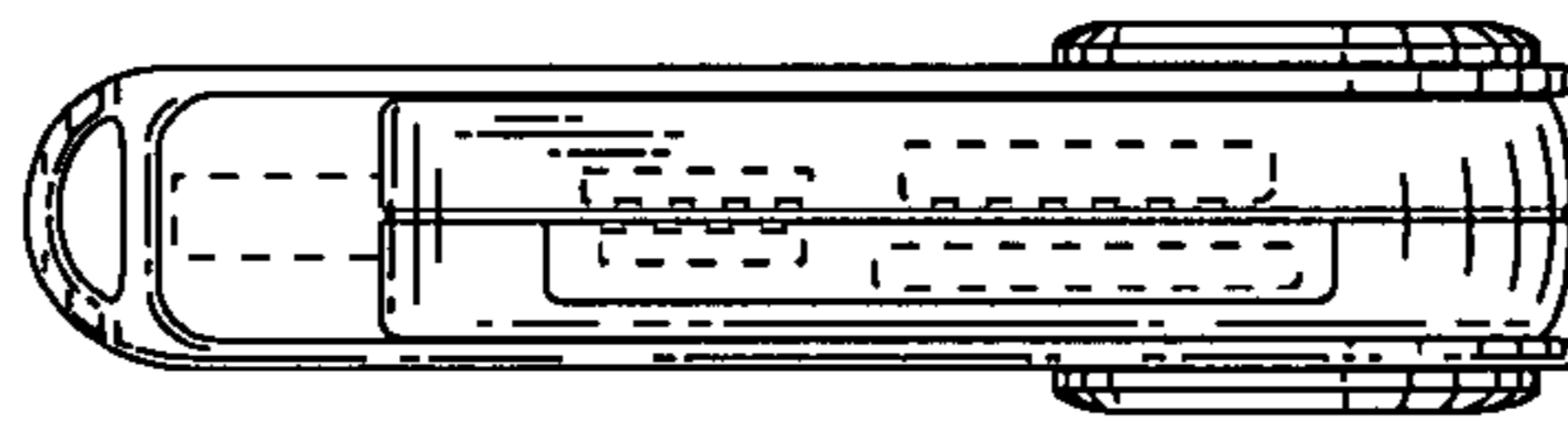


FIG. 2

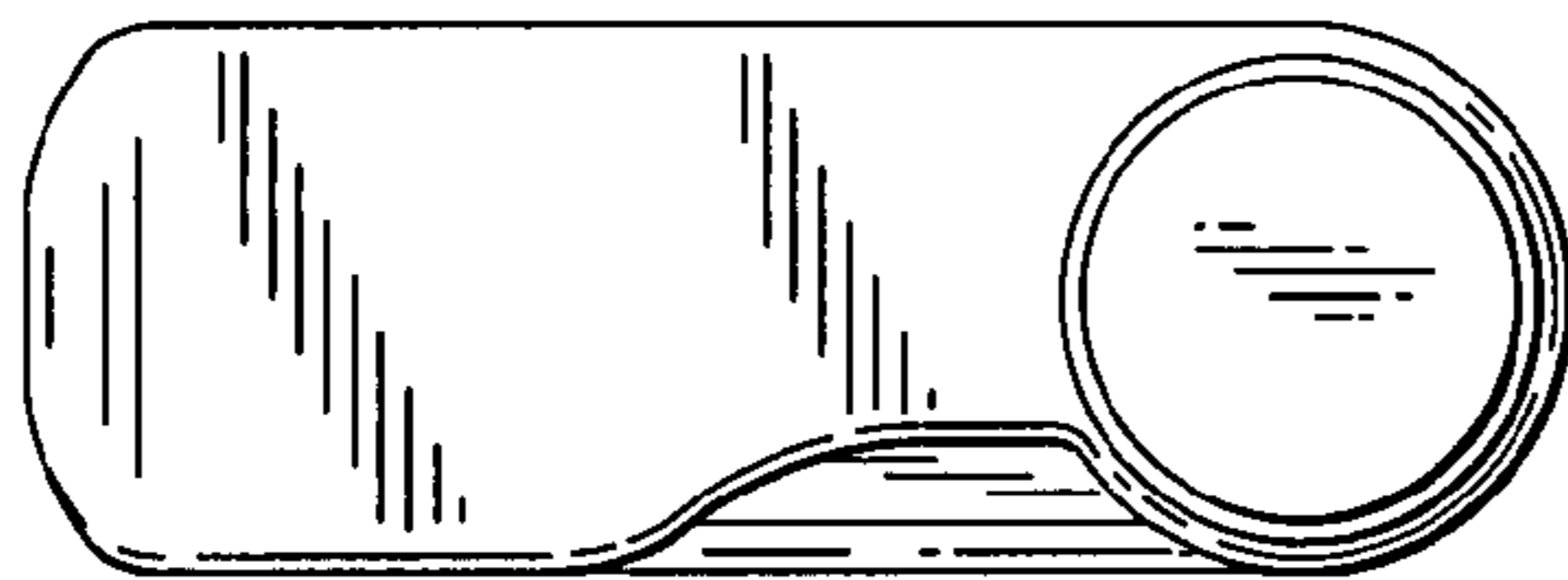


FIG. 3

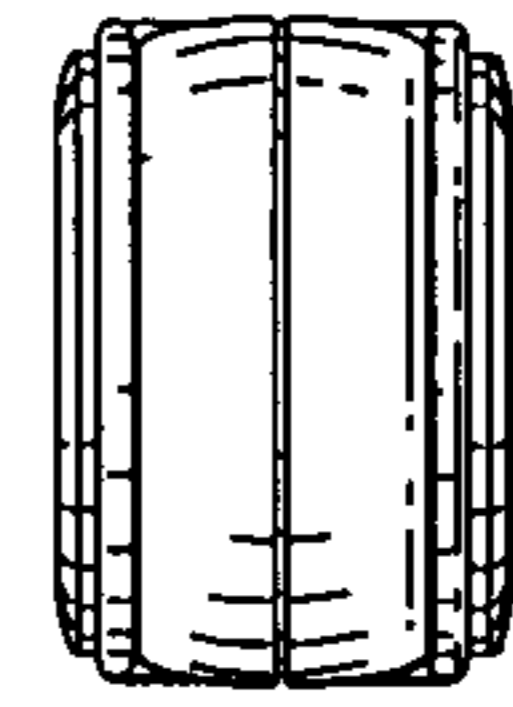


FIG. 4

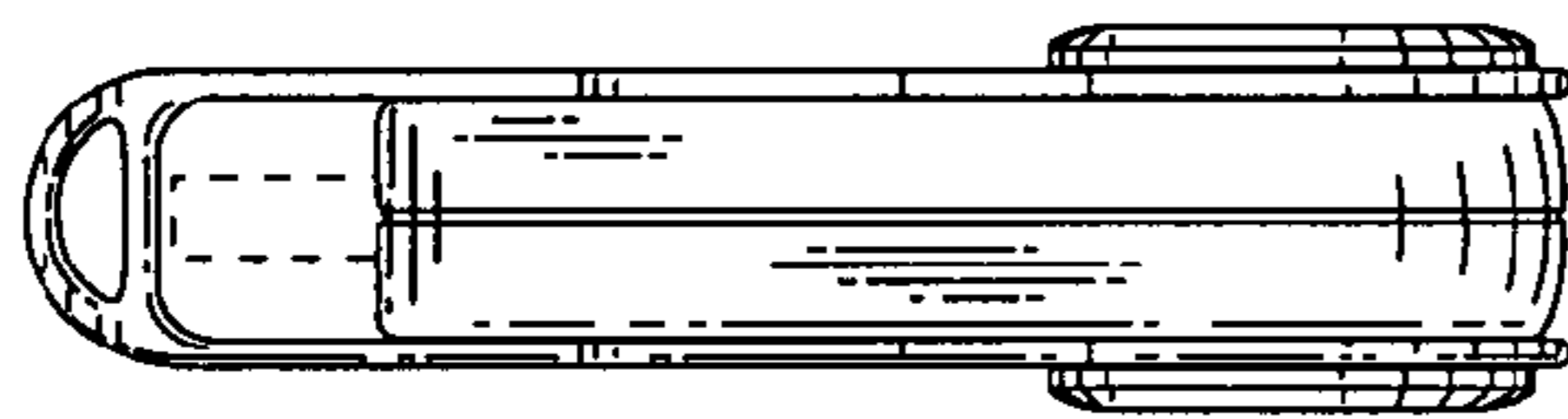


FIG. 5

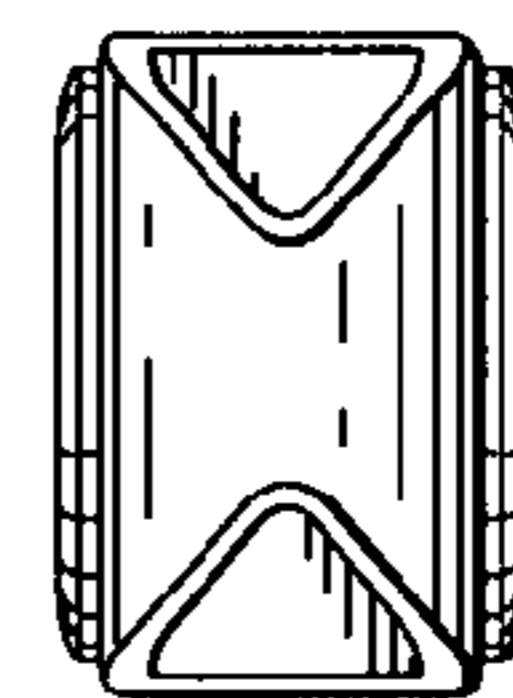


FIG. 6

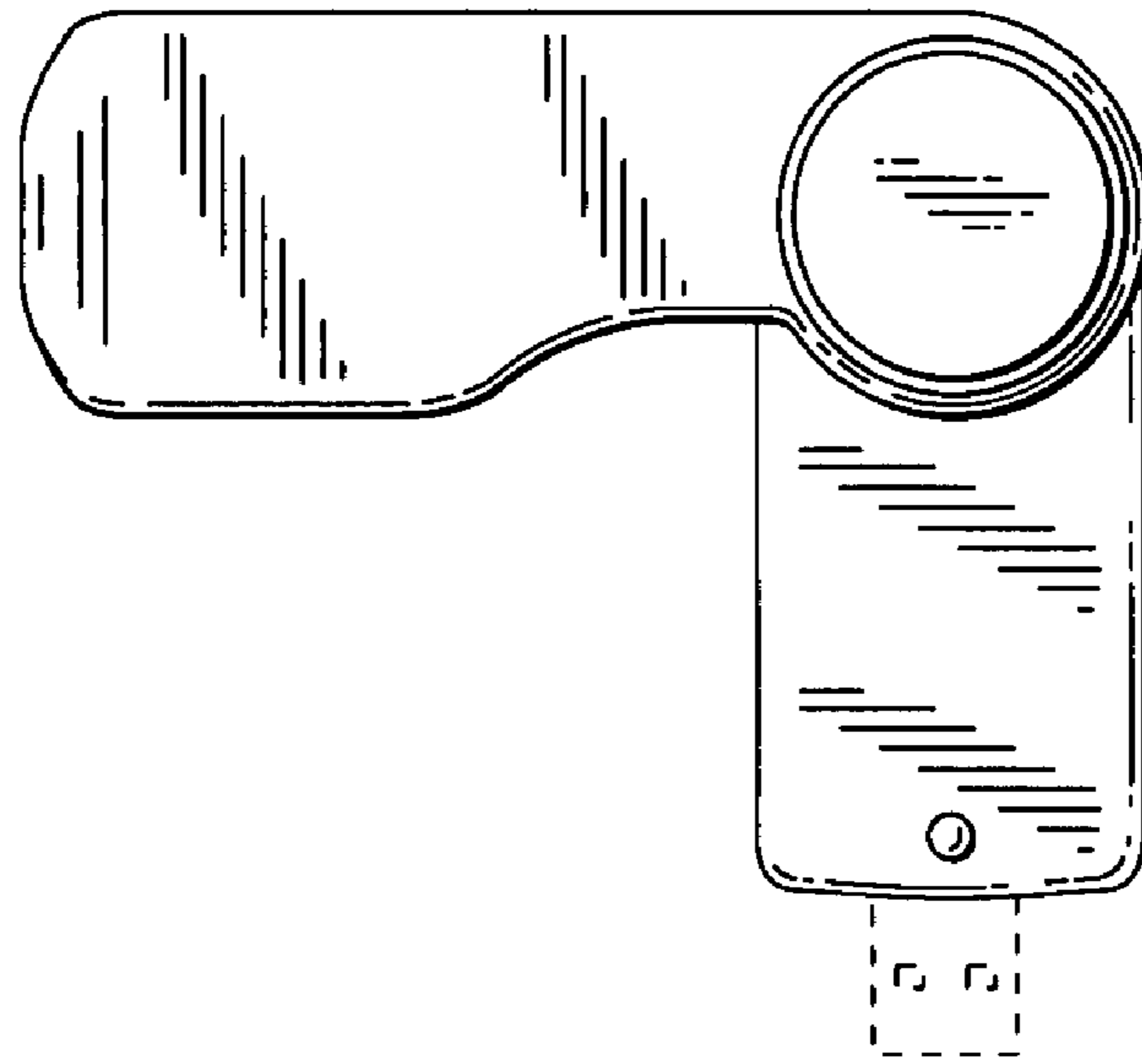


FIG. 7

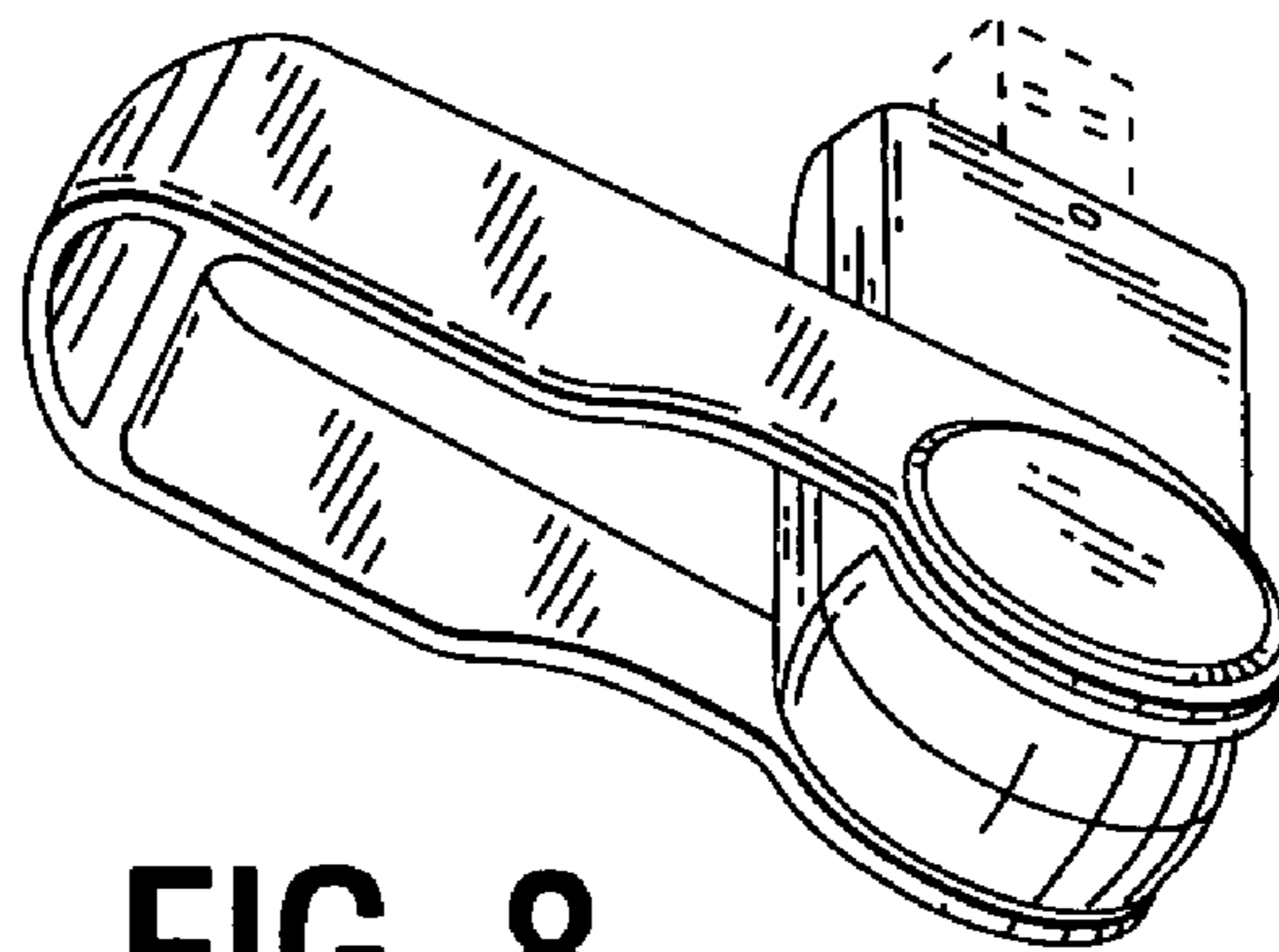


FIG. 8