



US00D580433S

(12) **United States Design Patent**
Chiang et al.

(10) **Patent No.:** **US D580,433 S**

(45) **Date of Patent:** **** Nov. 11, 2008**

(54) **NOTEBOOK COMPUTER**

6,856,507 B2 * 2/2005 Chen et al. 361/683

* cited by examiner

(75) Inventors: **Chih-Wen Chiang**, Taipei (TW);
Yun-Tung Pai, Taipei (TW); **Ya-Hwei Tseng**, Taipei (TW); **Chien-Chu Chen**, Taipei (TW); **Chen-Bang Chuang**, Taipei (TW)

Primary Examiner—Clare E Heflin
Assistant Examiner—Barbara Fox
(74) *Attorney, Agent, or Firm*—Bacon & Thomas, PLLC

(73) Assignee: **Compal Electronics, Inc.**, Taipei (TW)

(57) **CLAIM**

(**) Term: **14 Years**

The ornamental design for a notebook computer, as shown and described.

(21) Appl. No.: **29/274,684**

DESCRIPTION

(22) Filed: **May 15, 2007**

FIG. 1 is a perspective view of a notebook computer showing our new design;

(51) **LOC (8) Cl.** **14-02**

FIG. 2 is a front elevational view thereof;

(52) **U.S. Cl.** **D14/345**

FIG. 3 is a rear elevational view thereof;

(58) **Field of Classification Search** D14/341–346,
D14/315–327, 342; D18/1, 2, 7; D19/59,
D19/60; 235/145 A, 145 R; 341/22, 23;
345/104, 156, 168, 169, 172, 173, 87; 439/165,
439/12; 178/18.03; 434/201; 708/105

FIG. 4 is a left-side, elevational view thereof;

FIG. 5 is a right-side, elevational view thereof;

FIG. 6 is a top plan view thereof;

FIG. 7 is a bottom plan view thereof;

See application file for complete search history.

FIG. 8 is a perspective view of the notebook computer shown in the closed condition; and,

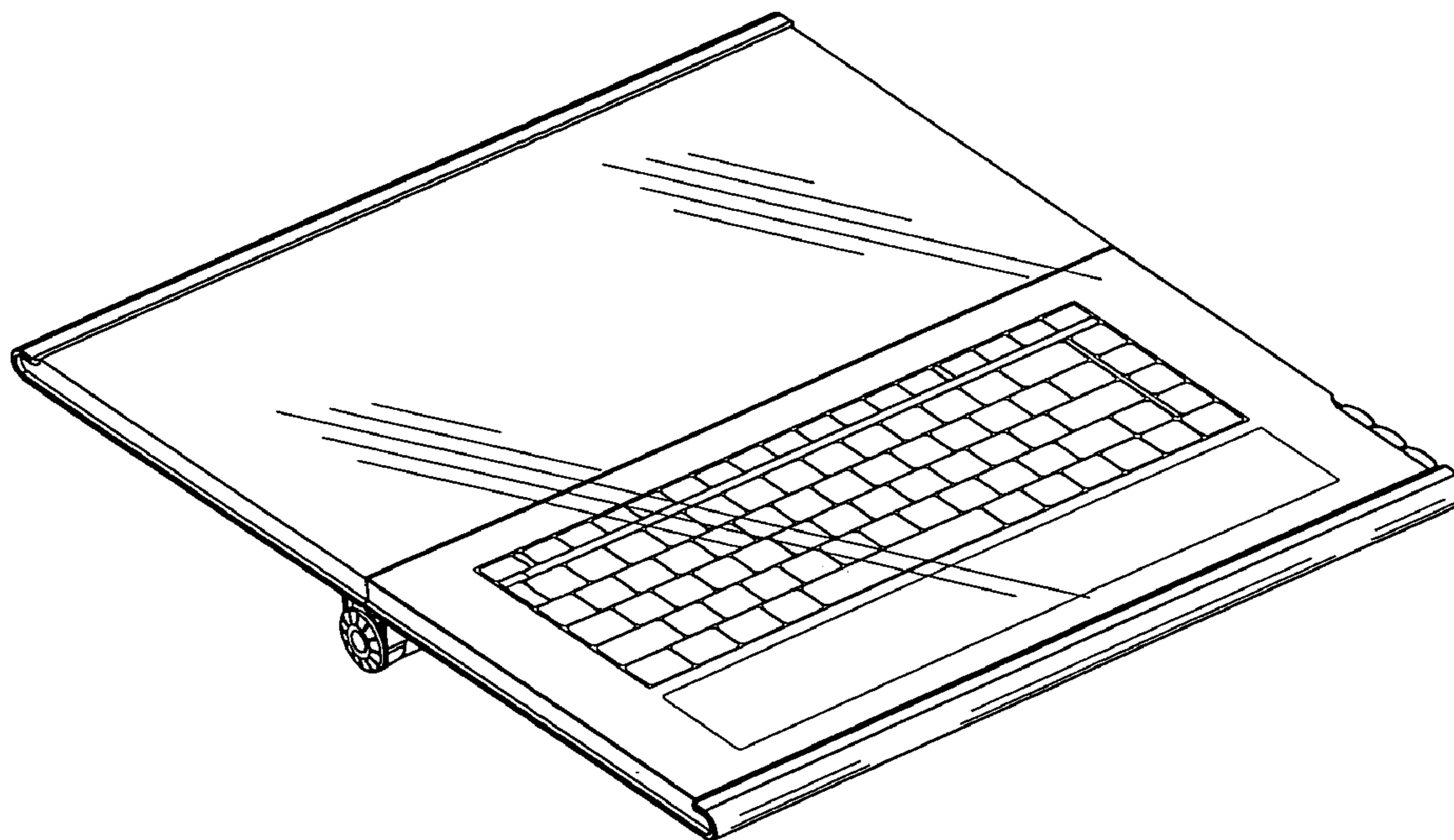
FIG. 9 is another perspective view of the notebook computer shown in the closed condition.

(56) **References Cited**

U.S. PATENT DOCUMENTS

D424,537 S * 5/2000 Arai et al. D14/318
D434,070 S * 11/2000 Lin et al. D19/21

1 Claim, 7 Drawing Sheets



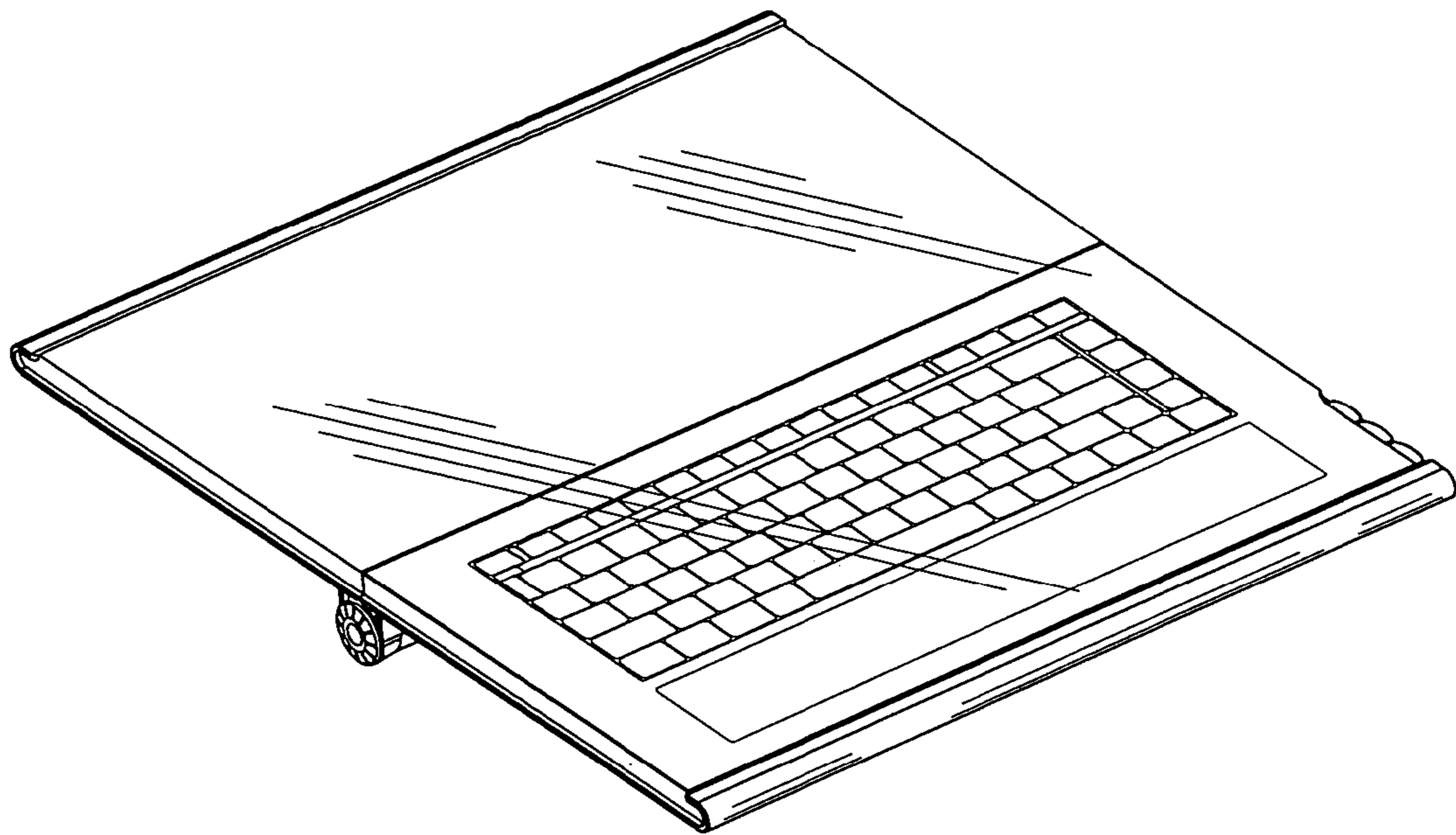


FIG. 1

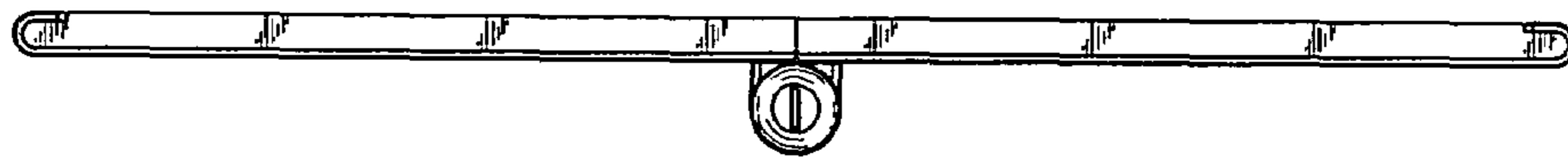


FIG. 2

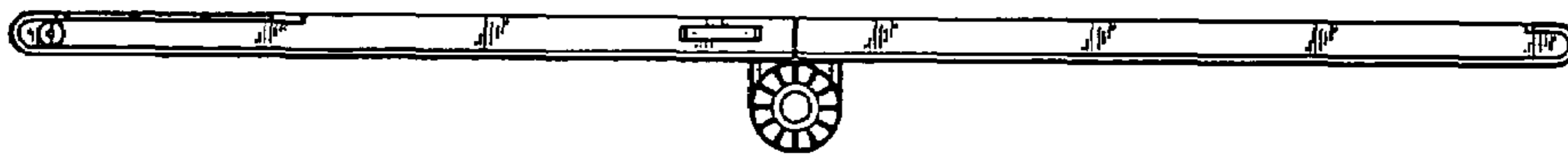


FIG. 3

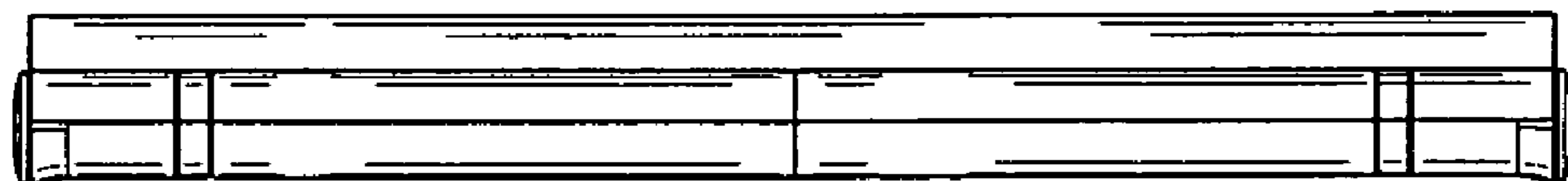


FIG. 4

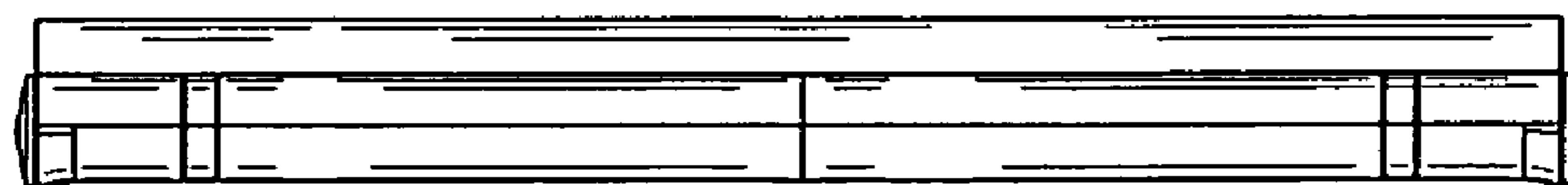


FIG. 5

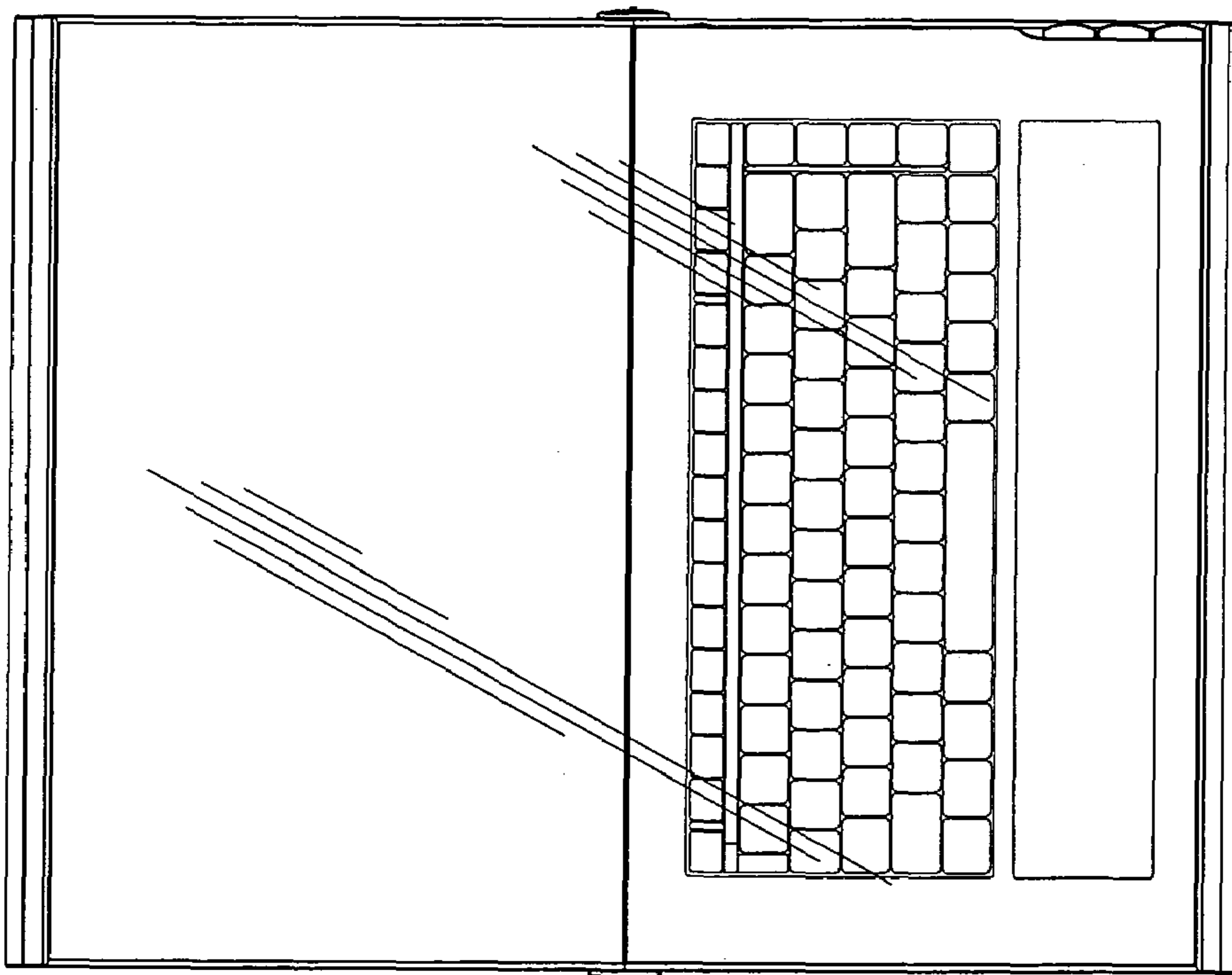


FIG. 6

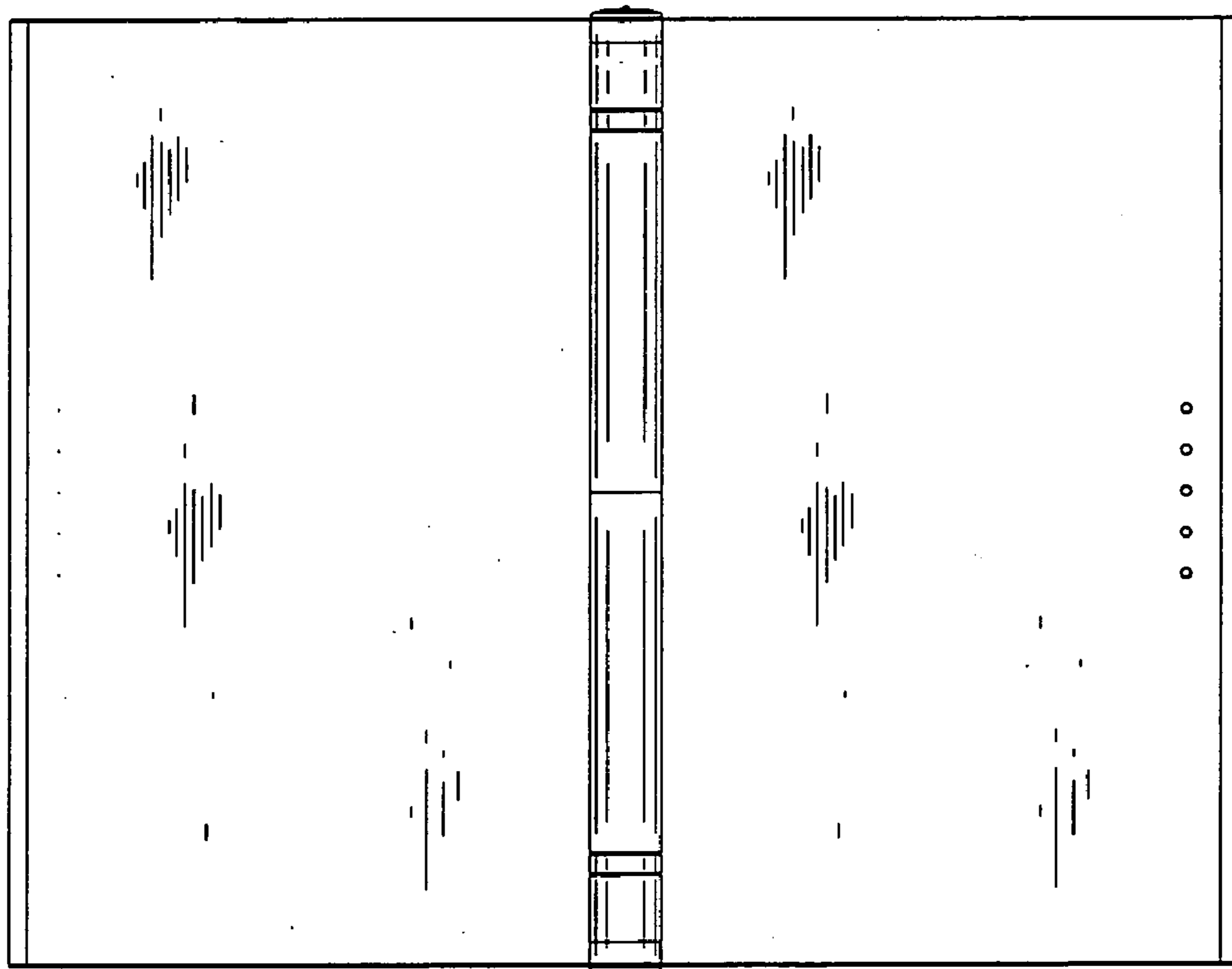


FIG. 7

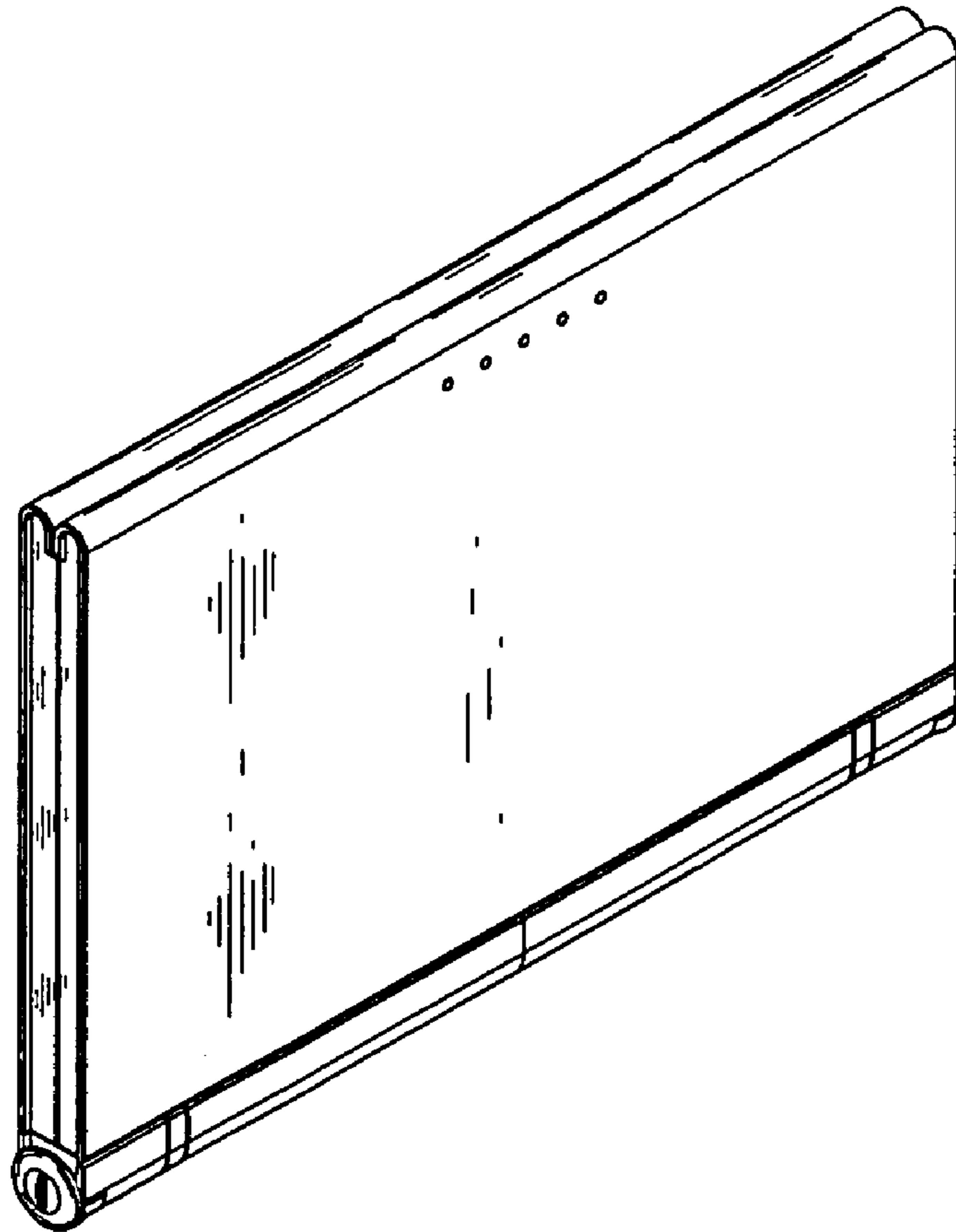


FIG. 8

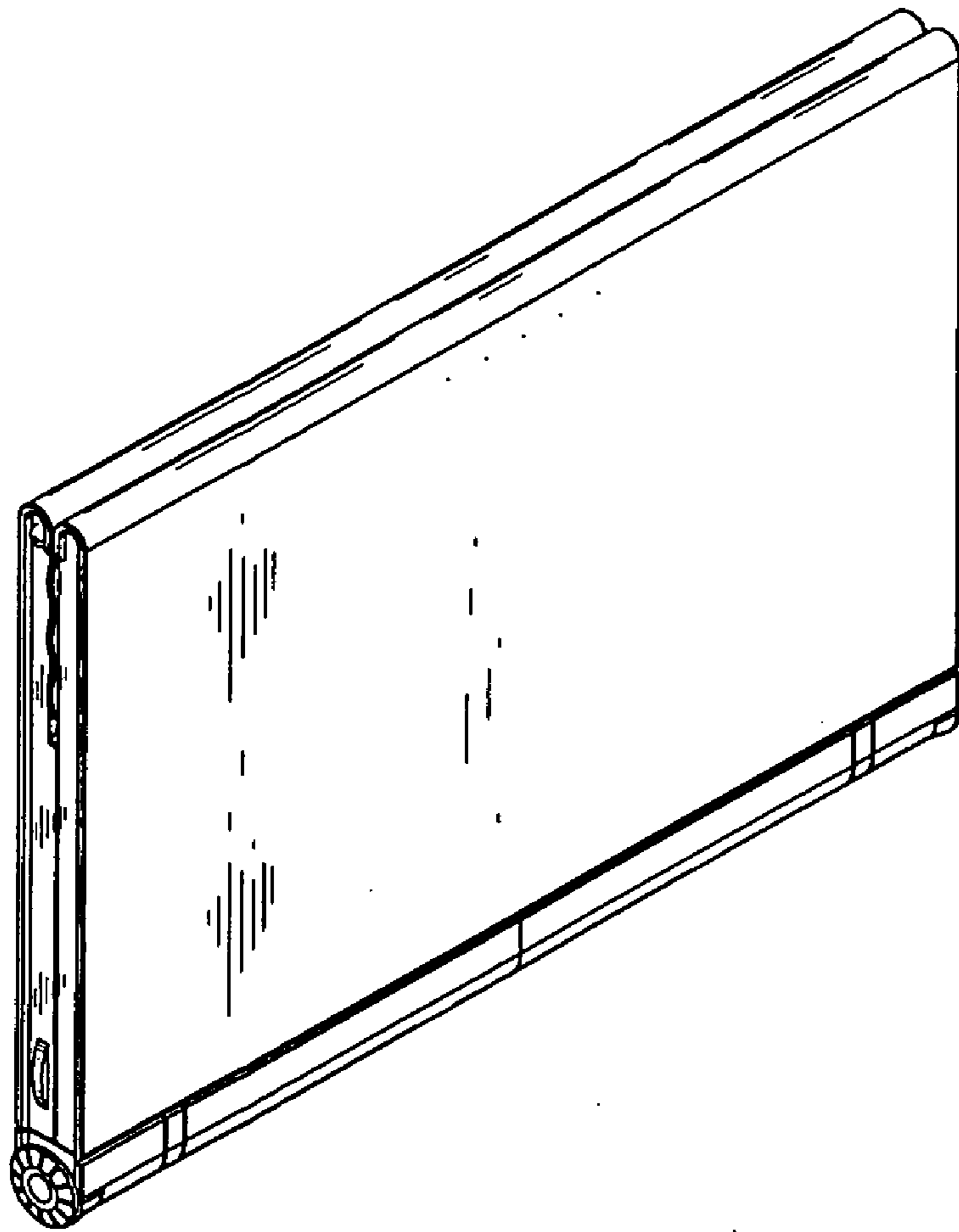


FIG. 9