



US00D580432S

(12) **United States Design Patent**
Yun et al.

(10) **Patent No.:** **US D580,432 S**
(45) **Date of Patent:** **** Nov. 11, 2008**

(54) **PORTABLE ELECTRONIC NOTEBOOK**

(75) Inventors: **Joon-Ki Yun**, Seoul (KR); **Jun-Sang Park**, Gyeonggi-do (KR)

(73) Assignee: **Samsung Electronics Co., Ltd.**,
Kyunggi-do (KR)

(**) Term: **14 Years**

(21) Appl. No.: **29/273,433**

(22) Filed: **Mar. 6, 2007**

(51) **LOC (8) Cl.** **14-02**

(52) **U.S. Cl.** **D14/345**

(58) **Field of Classification Search** D14/341–346,
D14/315–327; D18/1, 2, 7; D19/59, 60;
235/145 A, 145 R; 341/22, 23; 345/104,
345/156, 168, 169, 172, 173, 87; 439/165,
439/12; 178/18.03; 434/201; 708/105

See application file for complete search history.

(56) **References Cited**

U.S. PATENT DOCUMENTS

D413,923 S * 9/1999 Brown et al. D19/27
6,031,328 A * 2/2000 Nakamoto 313/495
D435,550 S * 12/2000 Chu et al. D14/345
6,577,496 B1 * 6/2003 Gioscia et al. 361/681

D523,853 S * 6/2006 Ishikawa et al. D14/345
2001/0030850 A1 * 10/2001 Ditzik 361/683
2002/0067339 A1 * 6/2002 Min 345/156

* cited by examiner

Primary Examiner—Clare E Heflin

Assistant Examiner—Barbara Fox

(74) *Attorney, Agent, or Firm*—Flynn, Thiel, Boutell & Tanis,
P.C.

(57) **CLAIM**

The ornamental design for a portable electronic notebook, as shown and described.

DESCRIPTION

FIG. 1 is a top front perspective view of a portable electronic notebook showing our new design;

FIG. 2 is a front elevational view thereof;

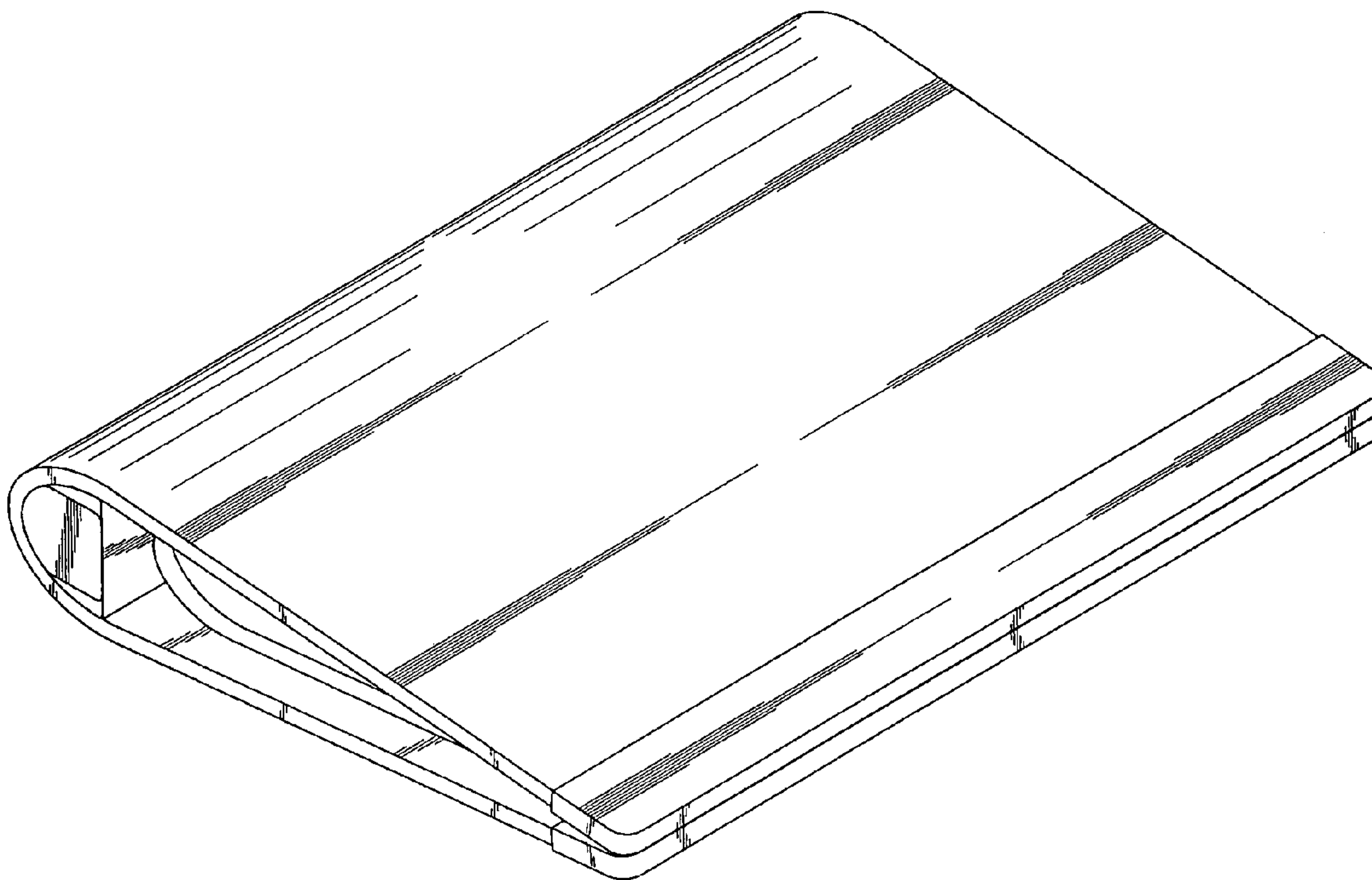
FIG. 3 is a rear elevational view thereof;

FIG. 4 is a left side elevational view, the right side being symmetrical thereof;

FIG. 5 is a top plan view, the bottom plan being symmetrical thereof; and,

FIG. 6 is a front elevational view of the portable electronic notebook in an open position.

1 Claim, 4 Drawing Sheets



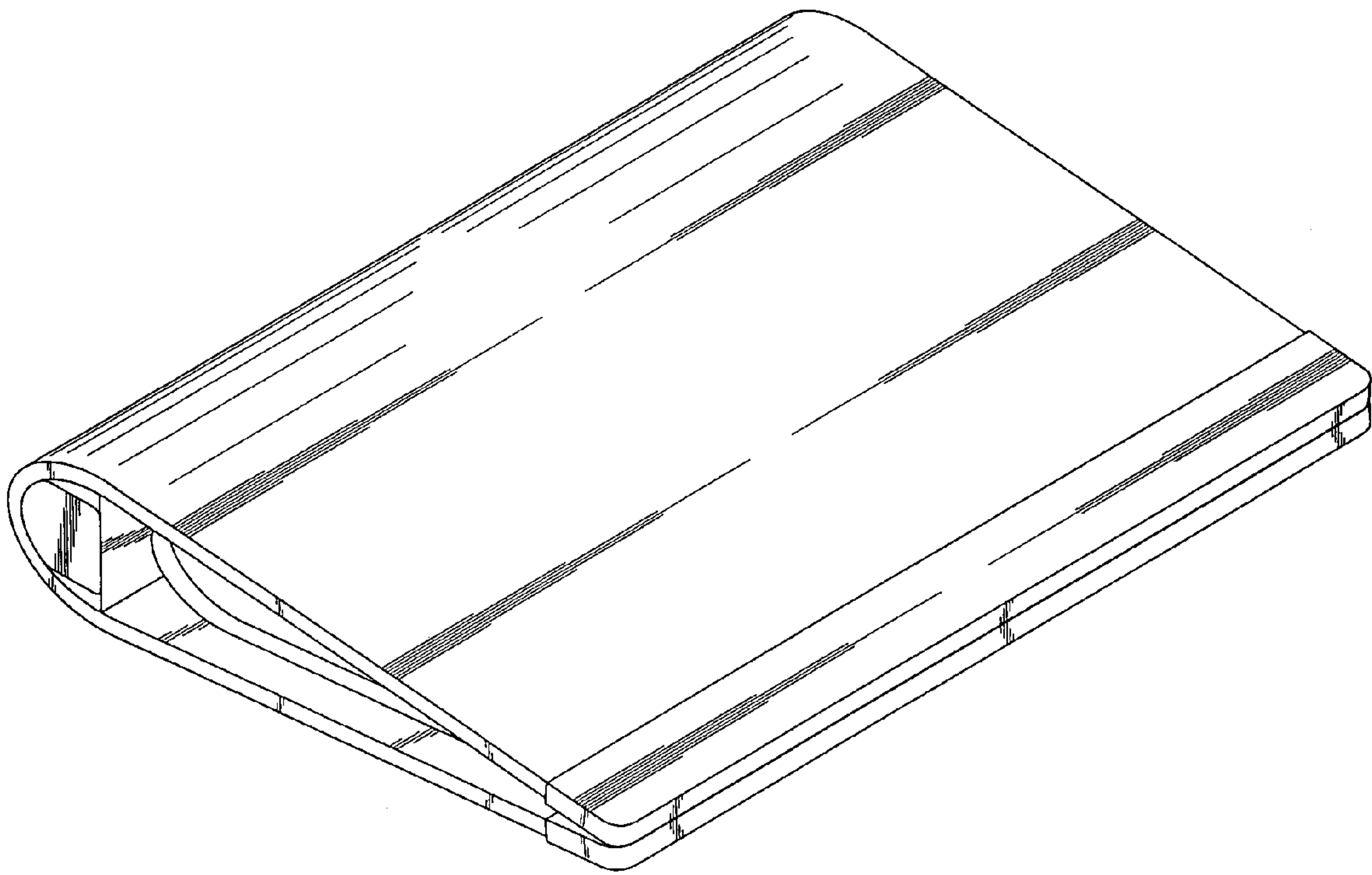


FIG. 1

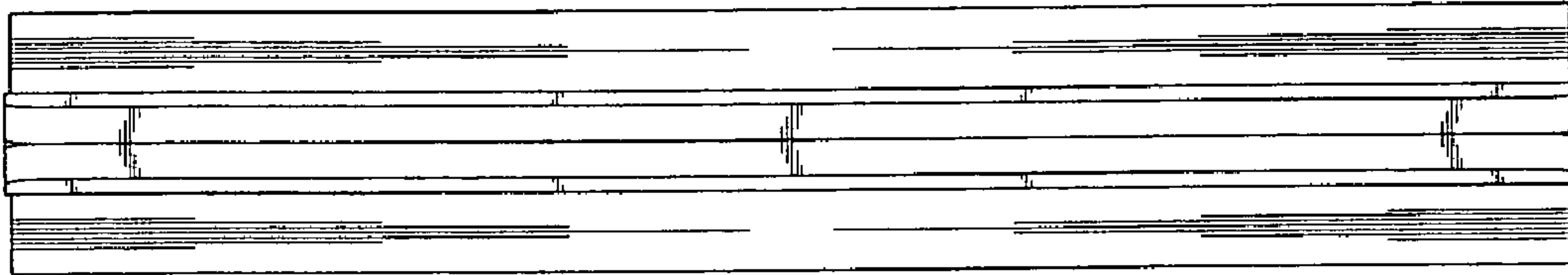


FIG. 2

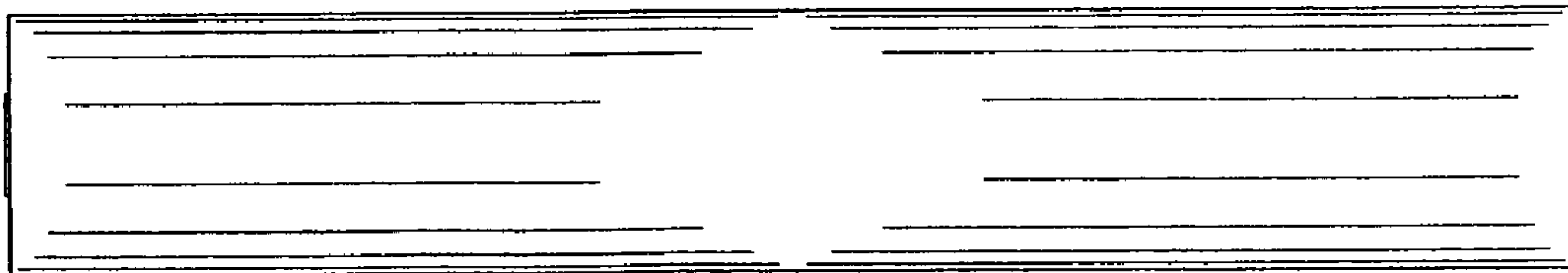


FIG. 3

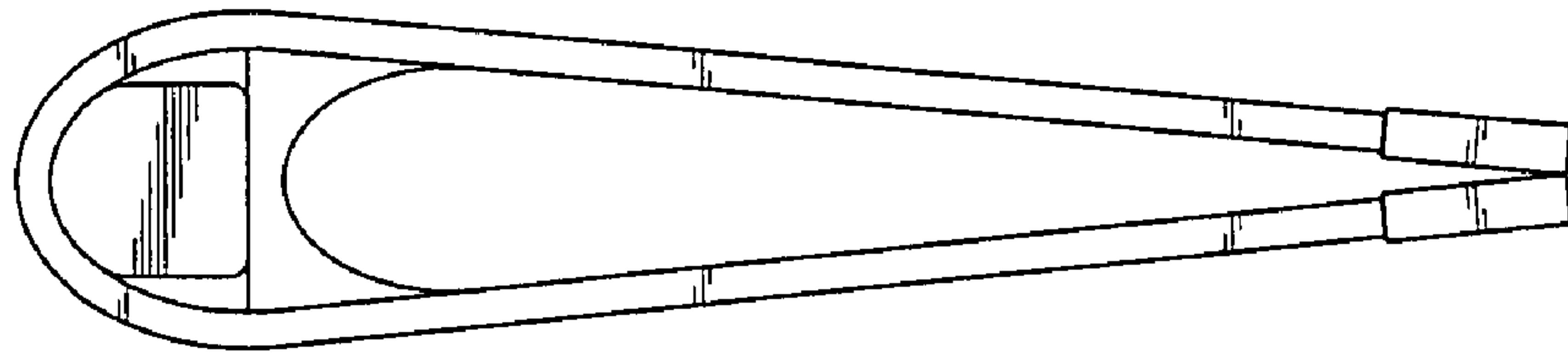


FIG. 4

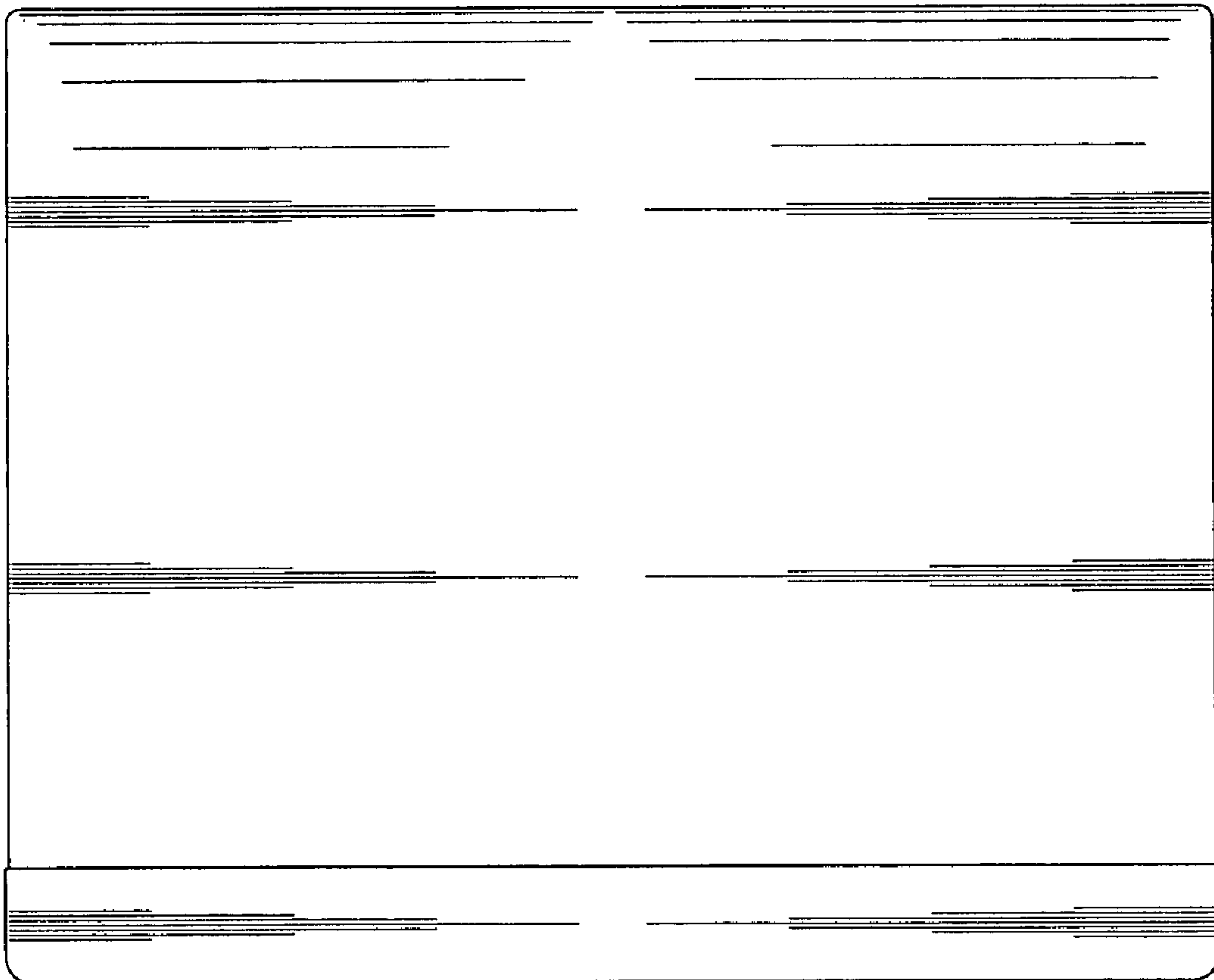


FIG. 5

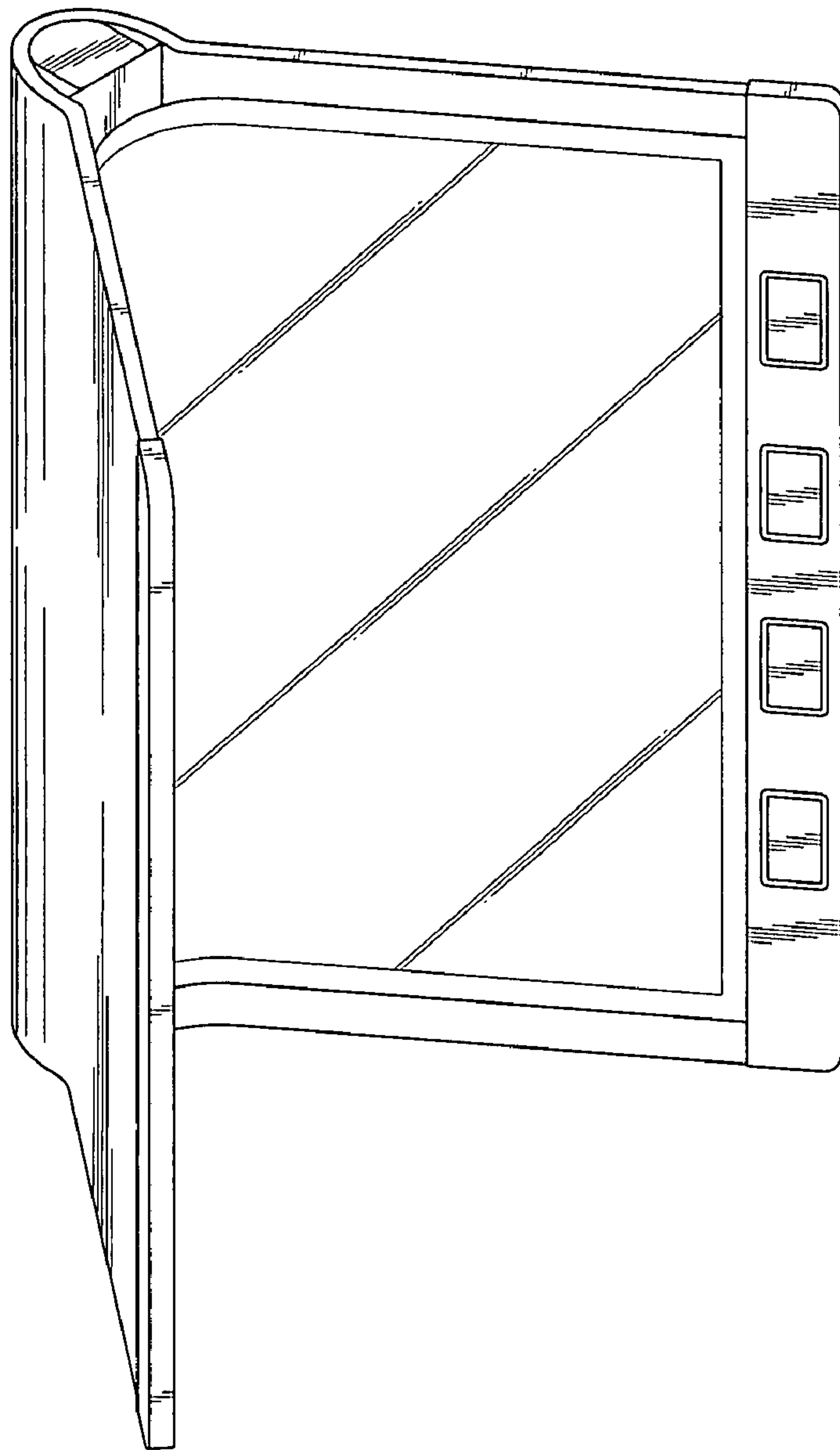


FIG.6