



US00D580429S

(12) **United States Design Patent**  
**Cheng et al.**

(10) **Patent No.:** **US D580,429 S**

(45) **Date of Patent:** **\*\* Nov. 11, 2008**

(54) **MINI COMPUTER**

(75) Inventors: **Ping-Yu Cheng**, Taipei (TW);  
**Chien-Chu Lu**, Taipei (TW)

(73) Assignee: **Arima Computer Corporation**, Taipei (TW)

(\*\*) Term: **14 Years**

(21) Appl. No.: **29/278,203**

(22) Filed: **Mar. 21, 2007**

(51) **LOC (8) Cl.** ..... **14-02**

(52) **U.S. Cl.** ..... **D14/315**

(58) **Field of Classification Search** ..... D14/315-328,  
D14/308; D18/1, 2, 7, 11; 235/145 A, 145 R;  
341/22, 23; 345/156, 168, 169, 172, 173,  
345/1.1; 349/12; 361/680-686; D19/60;  
708/100

See application file for complete search history.

(56) **References Cited**

**U.S. PATENT DOCUMENTS**

- 5,103,376 A \* 4/1992 Blonder ..... 361/681
- 5,200,913 A \* 4/1993 Hawkins et al. .... 361/681
- D345,347 S \* 3/1994 Yamazaki ..... D14/322
- D356,071 S \* 3/1995 Gotoh ..... D14/322

- D384,652 S \* 10/1997 Yamazaki ..... D14/318
- 6,829,140 B2 \* 12/2004 Shimano et al. .... 361/683
- D519,500 S \* 4/2006 Maskatia et al. .... D14/318
- RE39,429 E \* 12/2006 Hawkins et al. .... 708/100
- 2004/0108968 A1 \* 6/2004 Finke-Anlauff ..... 345/1.1

\* cited by examiner

*Primary Examiner*—Freda S Nunn

(74) *Attorney, Agent, or Firm*—Pai Patent & Trademark Law Firm; Chao-Chang David Pai

(57) **CLAIM**

The ornamental design for a mini computer, as shown and described.

**DESCRIPTION**

FIG. 1 is a perspective view of a mini computer showing our new design;

FIG. 2 is a front view thereof;

FIG. 3 is a rear view thereof;

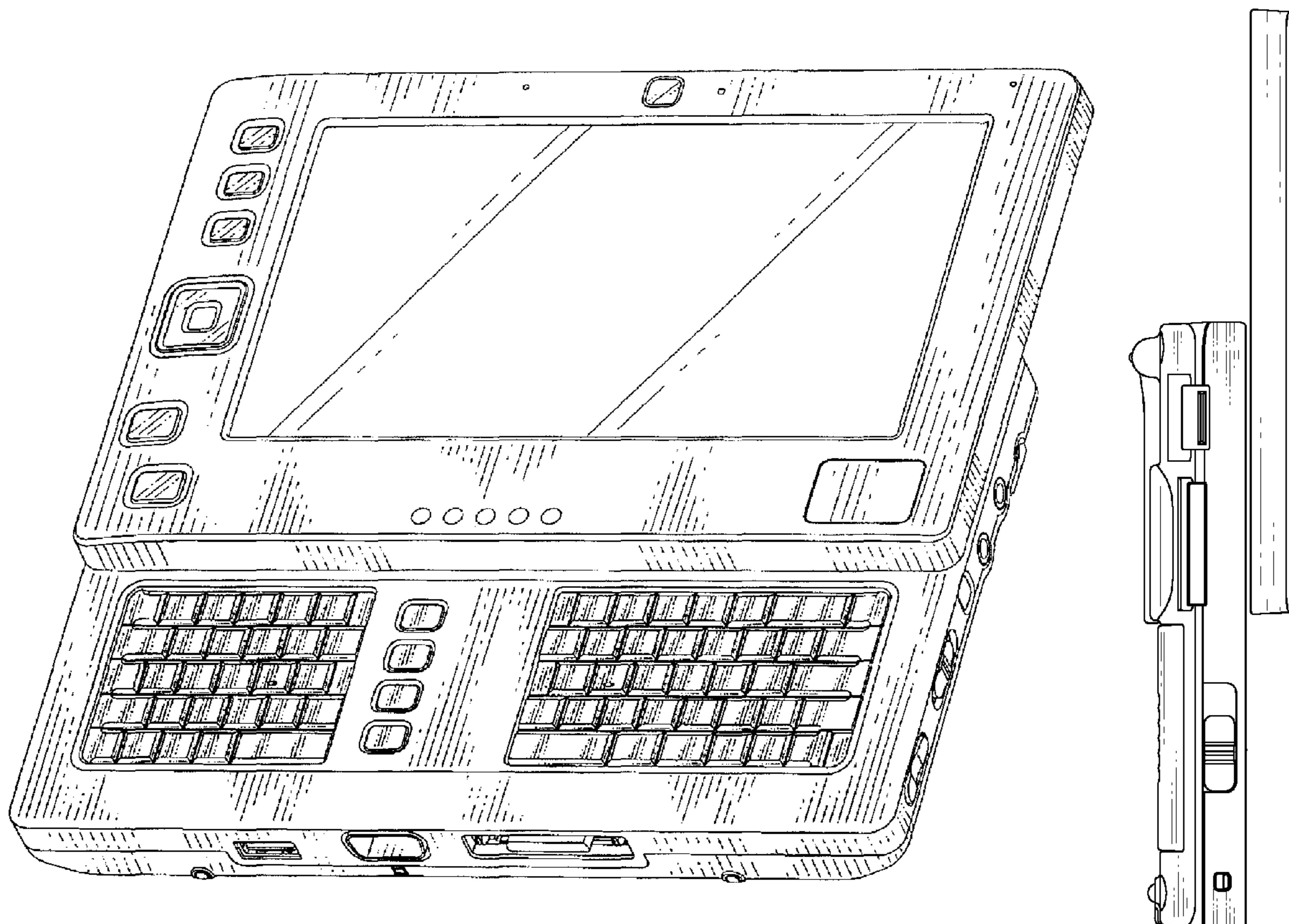
FIG. 4 is a left side view thereof;

FIG. 5 is a right side view thereof;

FIG. 6 is a top view thereof; and,

FIG. 7 is a bottom view thereof.

**1 Claim, 5 Drawing Sheets**



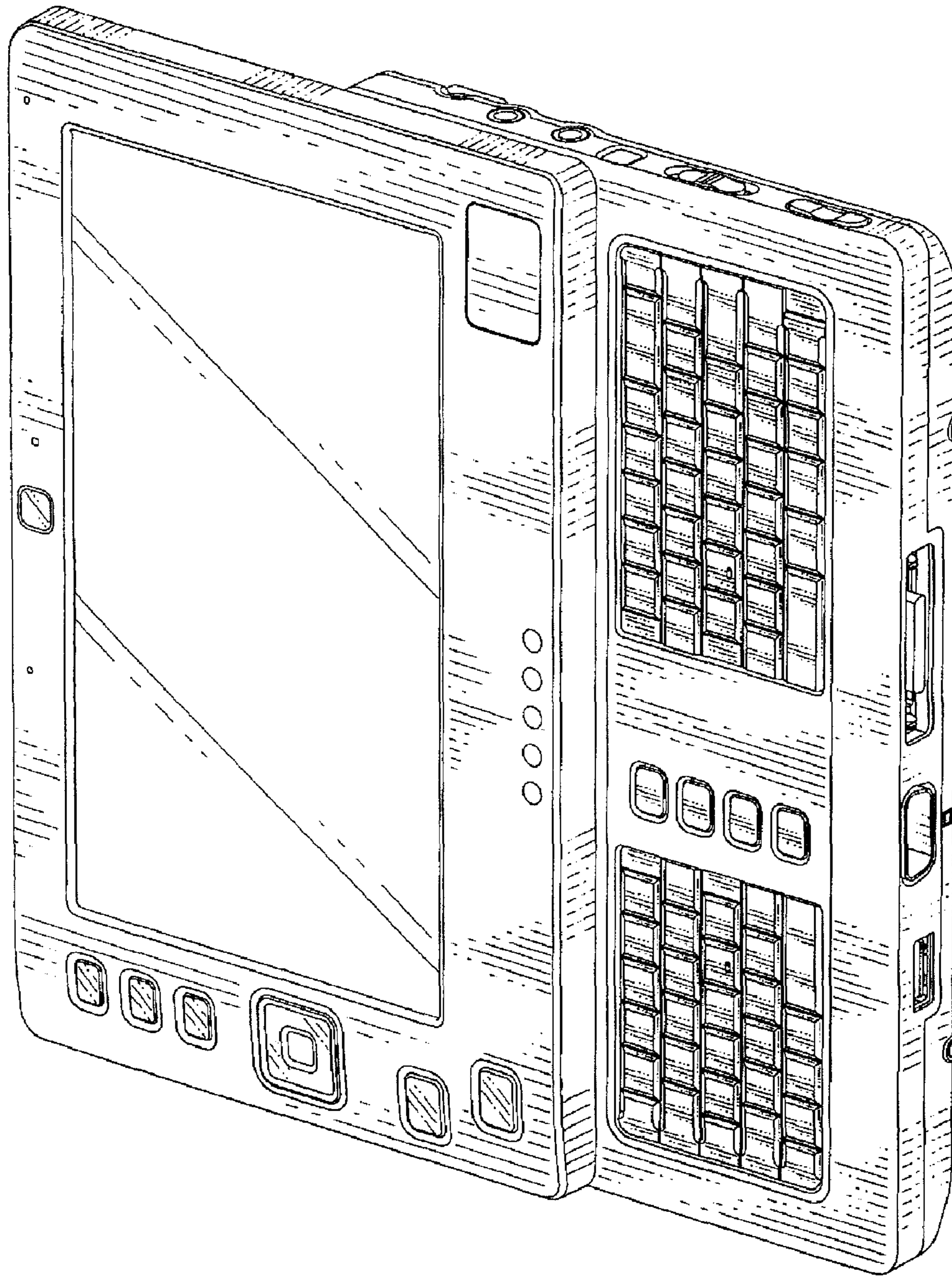


Fig. 1

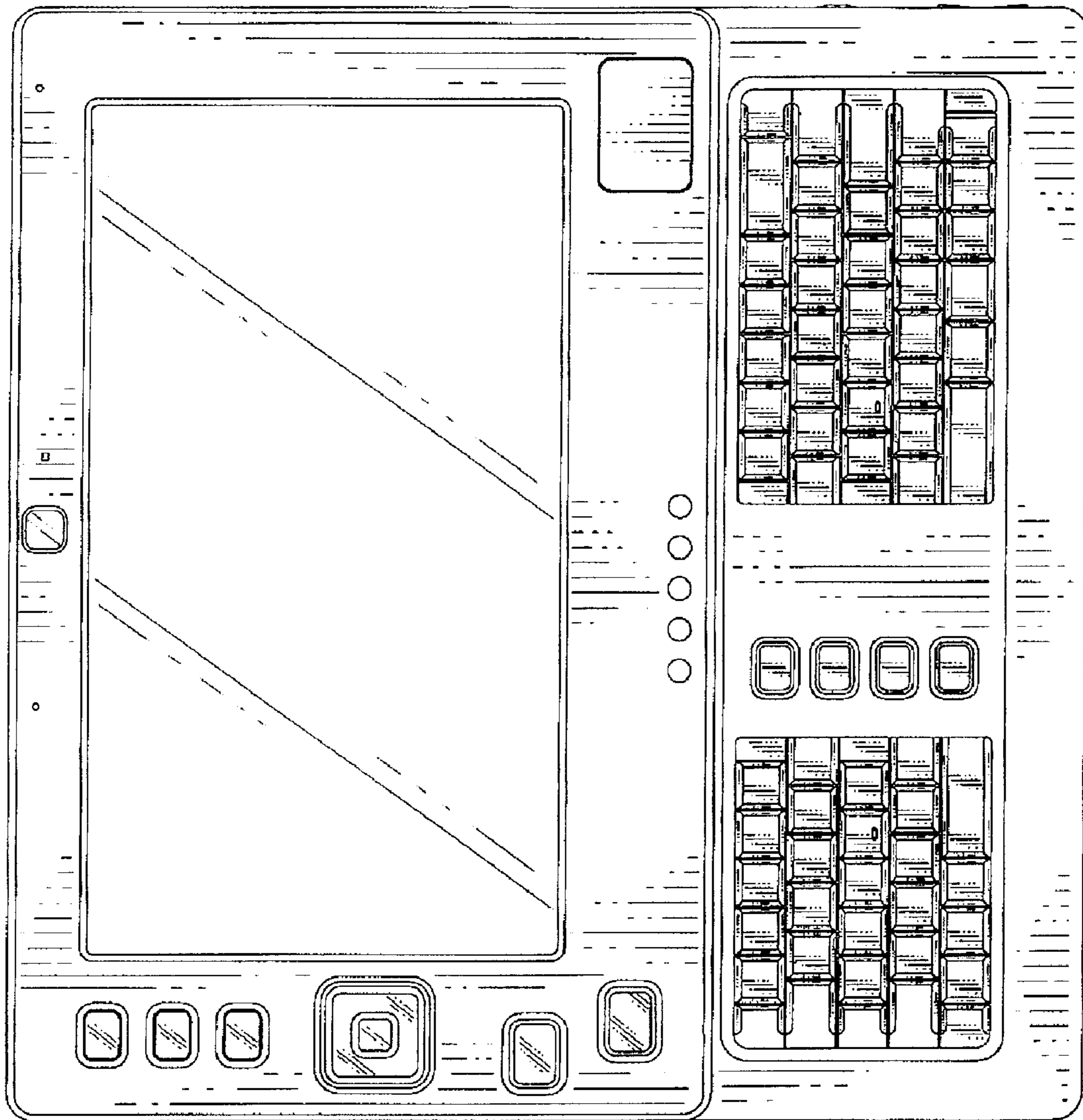


Fig. 2

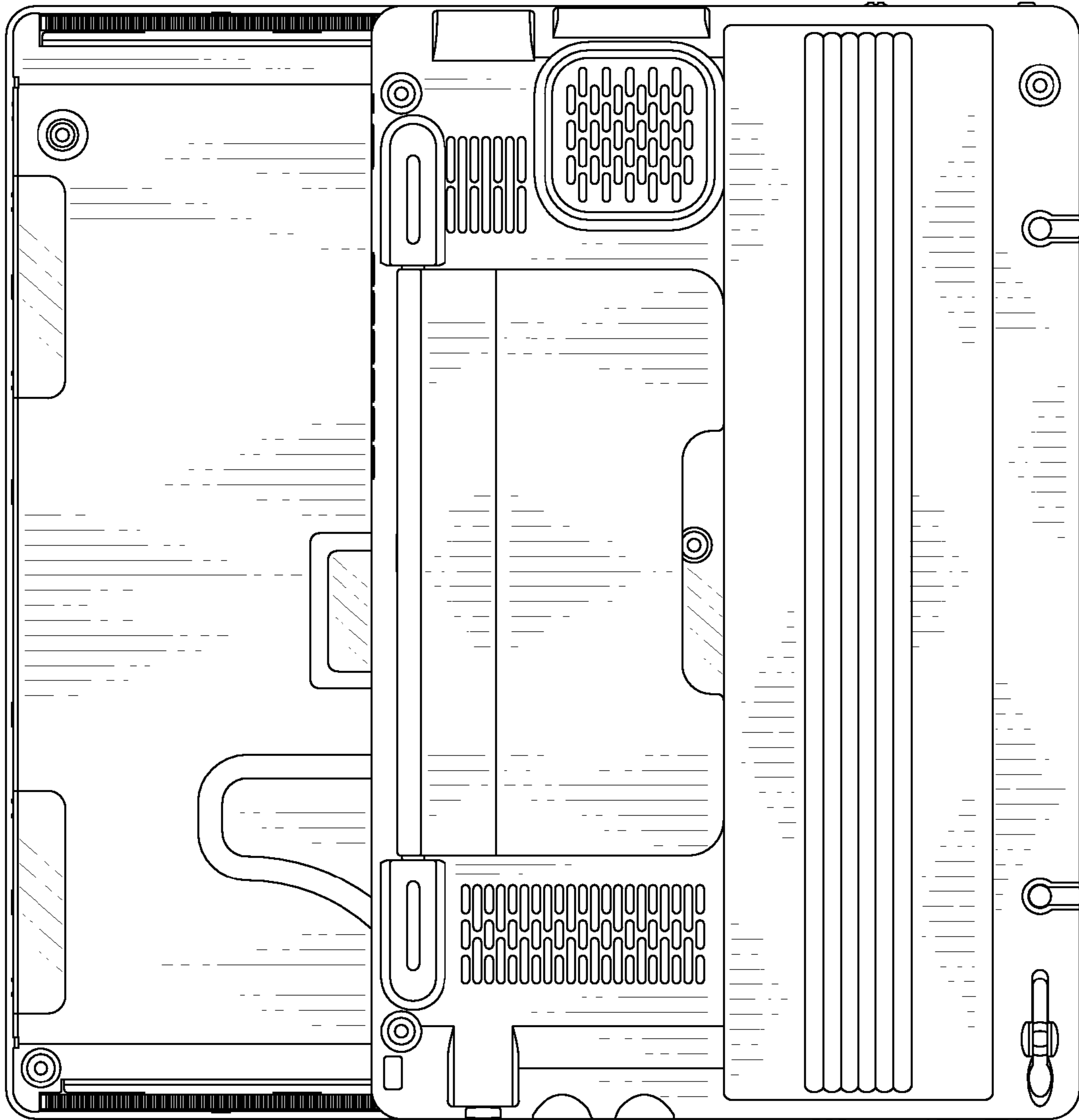


Fig. 3

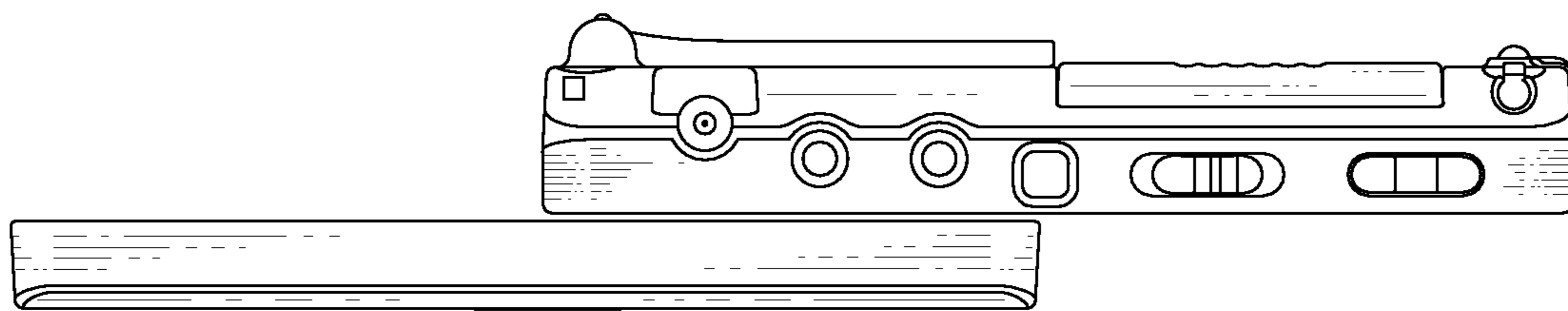


Fig. 5

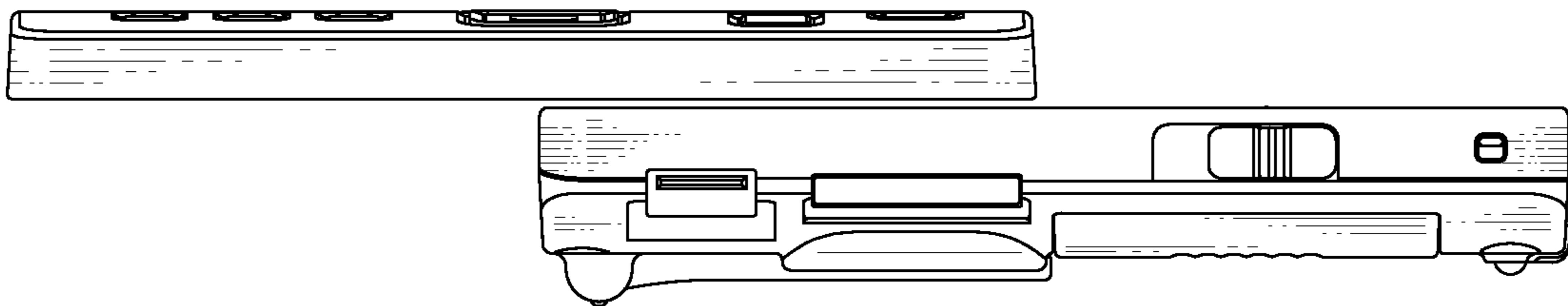


Fig. 4

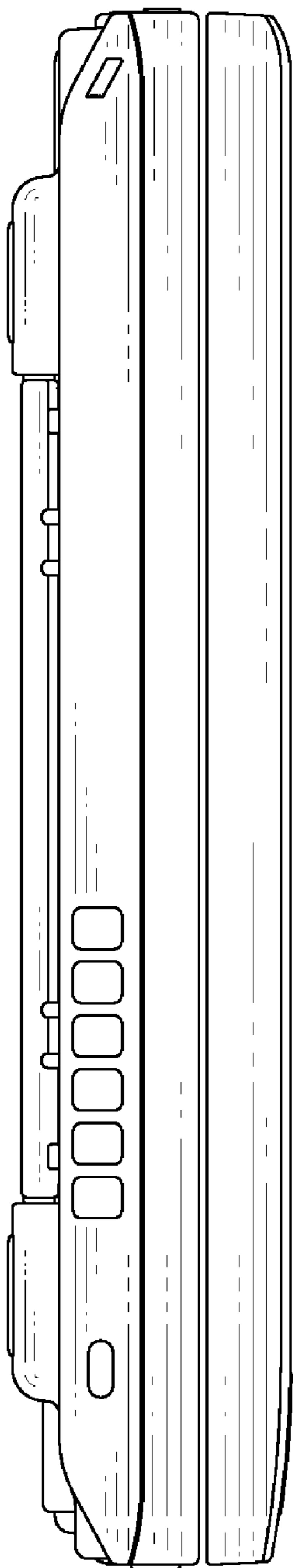


Fig. 6

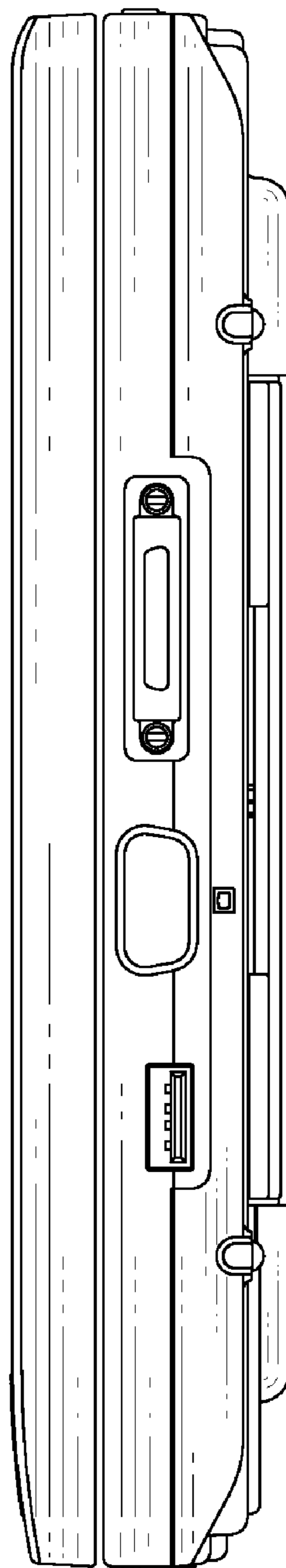


Fig. 7