



US00D580426S

(12) **United States Design Patent**
Miyata et al.

(10) **Patent No.:** **US D580,426 S**

(45) **Date of Patent:** **** Nov. 11, 2008**

(54) **TELEPHONE HANDSET**

(75) Inventors: **Kenji Miyata**, Kadoma (JP); **Takashi Hasegawa**, Kadoma (JP)

(73) Assignee: **Panasonic Corporation**, Osaka (JP)

(**) Term: **14 Years**

(21) Appl. No.: **29/296,468**

(22) Filed: **Oct. 22, 2007**

(30) **Foreign Application Priority Data**

Aug. 31, 2007 (JP) 2007-023713

(51) **LOC (8) Cl.** **14-03**

(52) **U.S. Cl.** **D14/248**

(58) **Field of Classification Search** D14/137-138,
D14/147-148, 156, 218, 247-248, 341-347,
D14/390, 399, 455-456, 496, 385, 356; D16/208;
D21/329, 331, 333, 517; 348/14.01-14.02;
361/814; 379/433.01-433.13; 455/90.3,
455/556.1-556.2, 566, 575.1, 575.3, 575.4;
D13/164, 168; 439/165; 343/702

See application file for complete search history.

(56) **References Cited**

U.S. PATENT DOCUMENTS

D417,455 S * 12/1999 Sato et al. D14/248
6,011,699 A * 1/2000 Murray et al. 361/814
D456,793 S * 5/2002 Wang D14/138
D459,329 S * 6/2002 Suzuki et al. D14/138
D460,961 S * 7/2002 Ikenaga et al. D14/248

(Continued)

FOREIGN PATENT DOCUMENTS

WO DM/068930 * 3/2007

OTHER PUBLICATIONS

Motorola KRZR K1, announced Jul. 2006, <URL:http://www.gsmarena.com/motorola_krZR_k1-pictures-1646.php>, retrieved from internet Aug. 16, 2008 11:47:58 PM.*

Primary Examiner—Jeffrey D Asch
Assistant Examiner—Carla Jobe Wright

(74) *Attorney, Agent, or Firm*—Brinks Hofer Gilson & Lione

(57) **CLAIM**

We claim the ornamental design for a telephone handset, as shown and described.

DESCRIPTION

FIG. 1 is a top perspective view of a telephone handset of the present invention;

FIG. 2 is a rear perspective view thereof;

FIG. 3 is a front view thereof;

FIG. 4 is a rear view thereof;

FIG. 5 is a first side view thereof;

FIG. 6 is a second side view thereof;

FIG. 7 is a top view thereof;

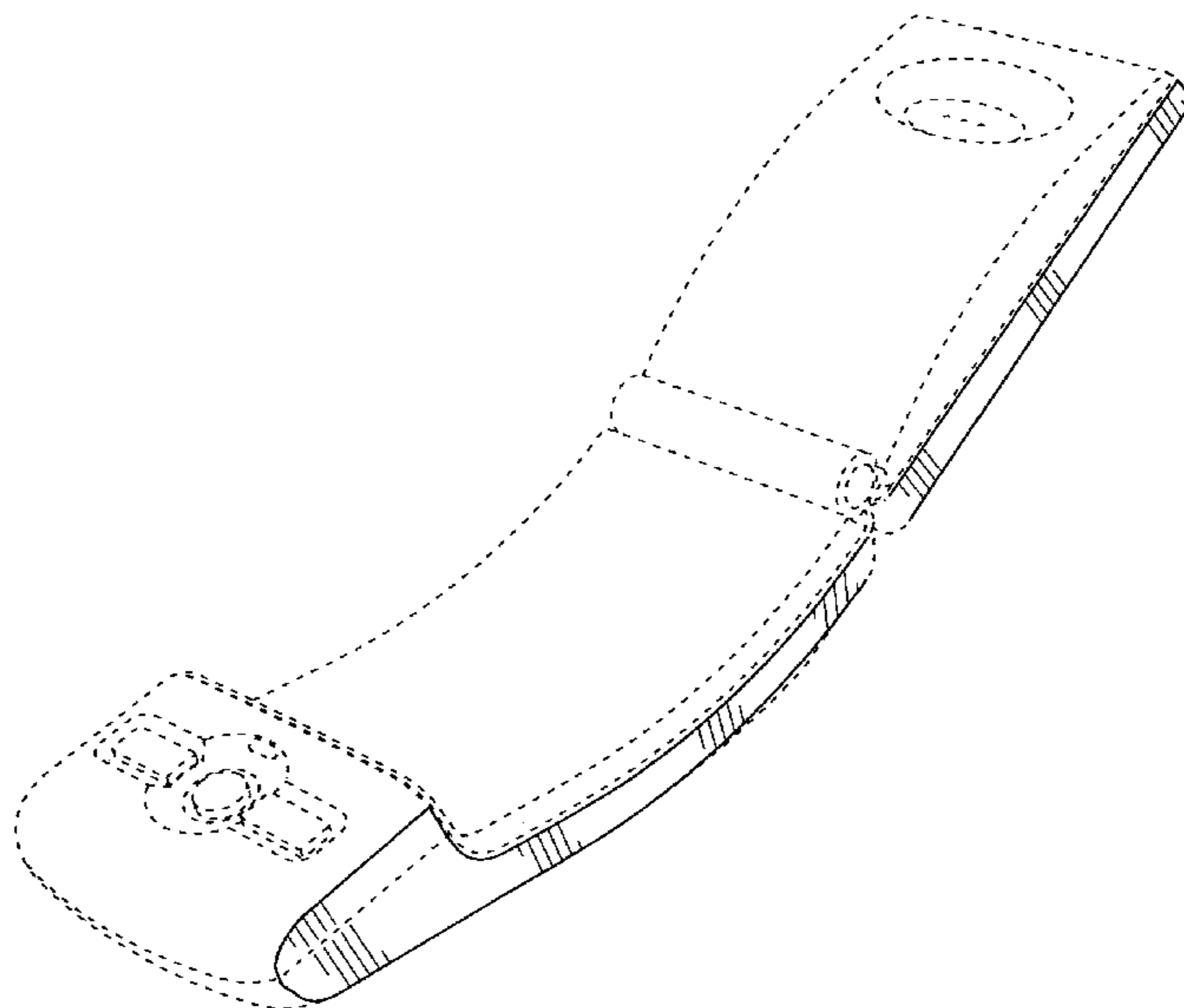
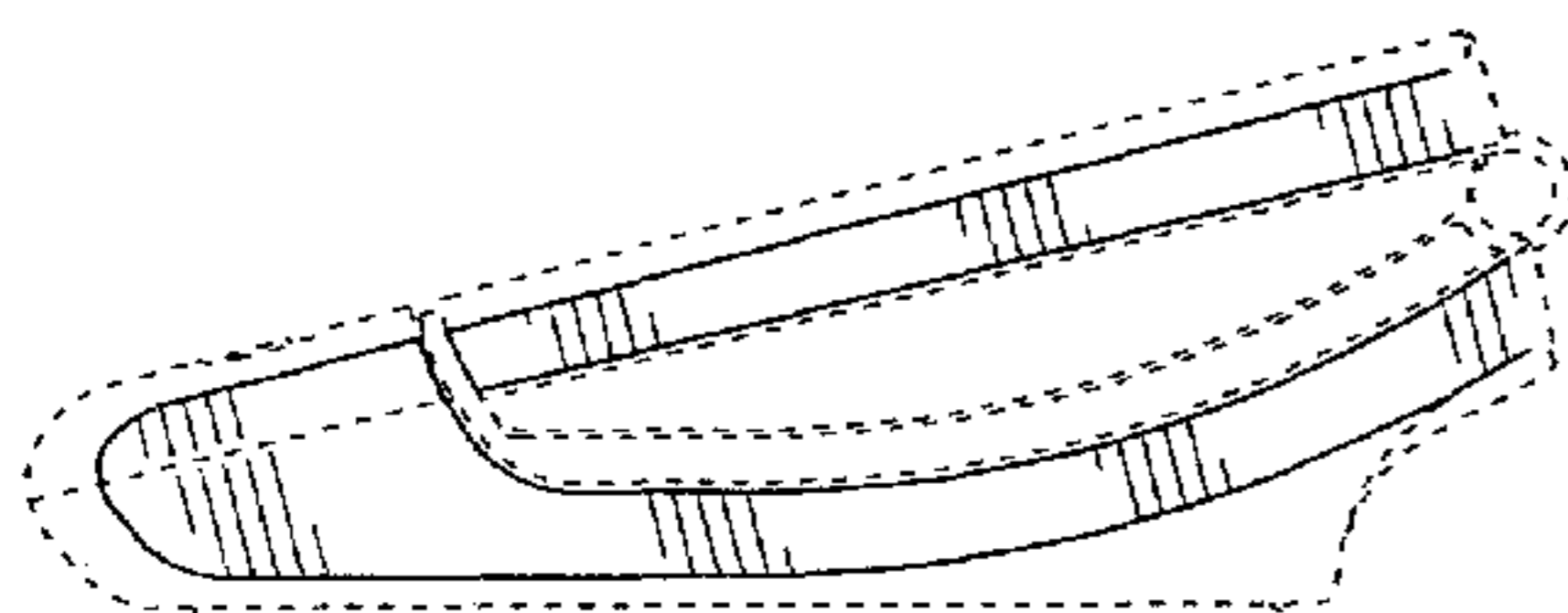
FIG. 8 is a bottom view thereof; and,

FIG. 9 is a top perspective view thereof shown in an opened position.

The rear edges of the claimed surfaces, shown open and without a clear boundary in FIGS. 1, 2, 6, and 9, continue up to a non-shown line formed by respectively connecting the ends of the two sets of solid lines that define the top and bottom portions of the claimed design.

The broken line showing of the remainder of the telephone handset is for illustrative purposes only and forms no part of the claimed design.

1 Claim, 9 Drawing Sheets



US D580,426 S

Page 2

U.S. PATENT DOCUMENTS

D462,064 S *	8/2002	Kim	D14/138	D554,094 S *	10/2007	Ribeiro et al.	D14/138
D464,032 S *	10/2002	Hayasaka et al.	D14/138	D554,113 S *	10/2007	Arnholt et al.	D14/248
D464,632 S	10/2002	Nagai et al.			D558,711 S *	1/2008	Moon et al.	D14/138
D464,633 S	10/2002	Nagai et al.			D560,639 S *	1/2008	Kim et al.	D14/138
D475,358 S *	6/2003	Wang et al.	D14/138	D561,728 S *	2/2008	Kim et al.	D14/138
6,700,784 B2 *	3/2004	Huang et al.	361/715	D563,347 S *	3/2008	Park et al.	D14/138
D500,750 S *	1/2005	Arnholt et al.	D14/138	D563,358 S *	3/2008	Baik et al.	D14/138
D513,742 S *	1/2006	Arnholt et al.	D14/138	D563,359 S *	3/2008	Kim et al.	D14/138
7,180,756 B2 *	2/2007	Stone et al.	361/814	D563,923 S *	3/2008	Leng et al.	D14/137
D541,275 S	4/2007	Lai			D565,532 S *	4/2008	Arnold	D14/138
D545,822 S	7/2007	Murakami			D567,209 S *	4/2008	Moss et al.	D14/138
D554,093 S *	10/2007	Arnholt et al.	D14/138	D574,804 S *	8/2008	Kim et al.	D14/138

* cited by examiner

FIG. 1

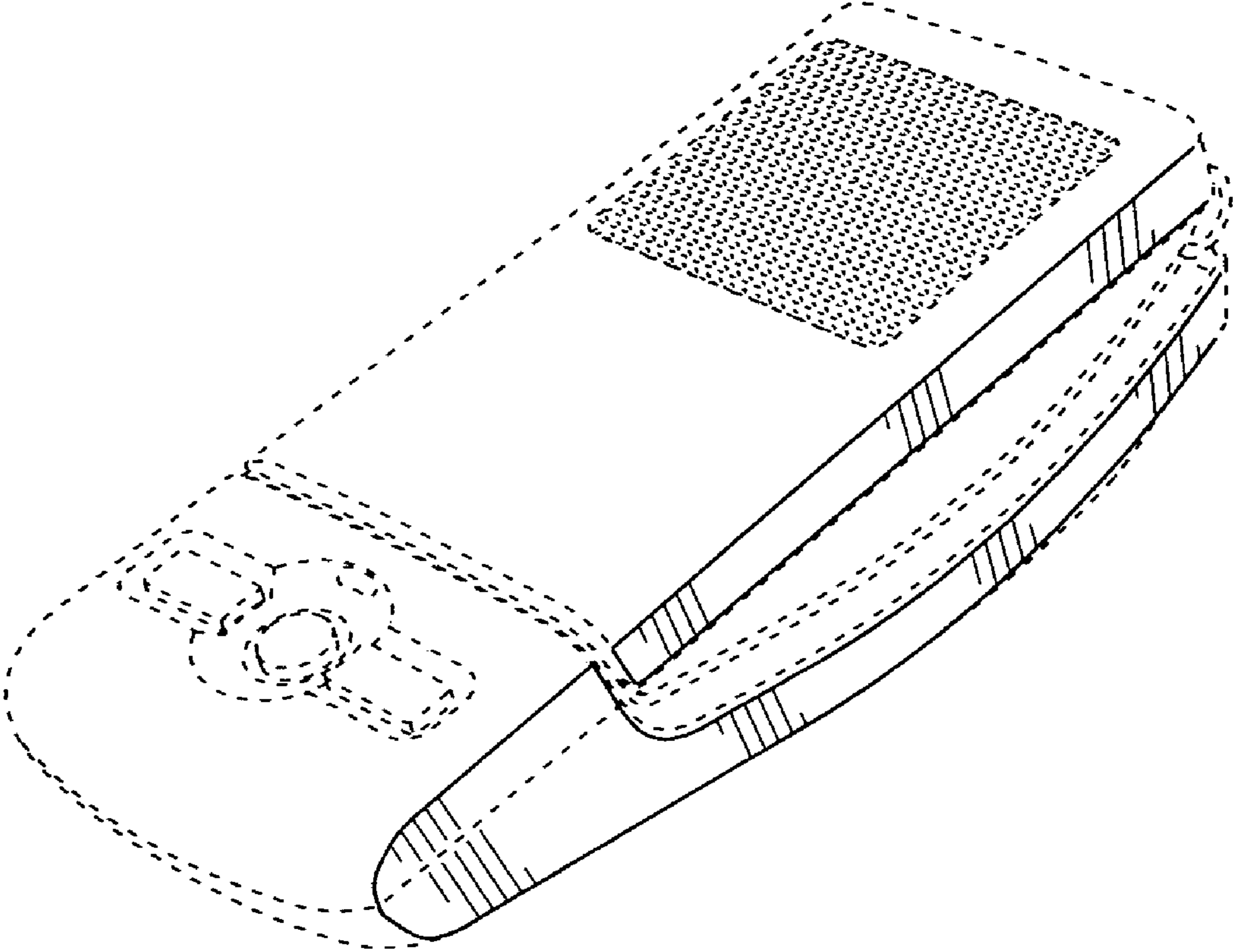


FIG.2

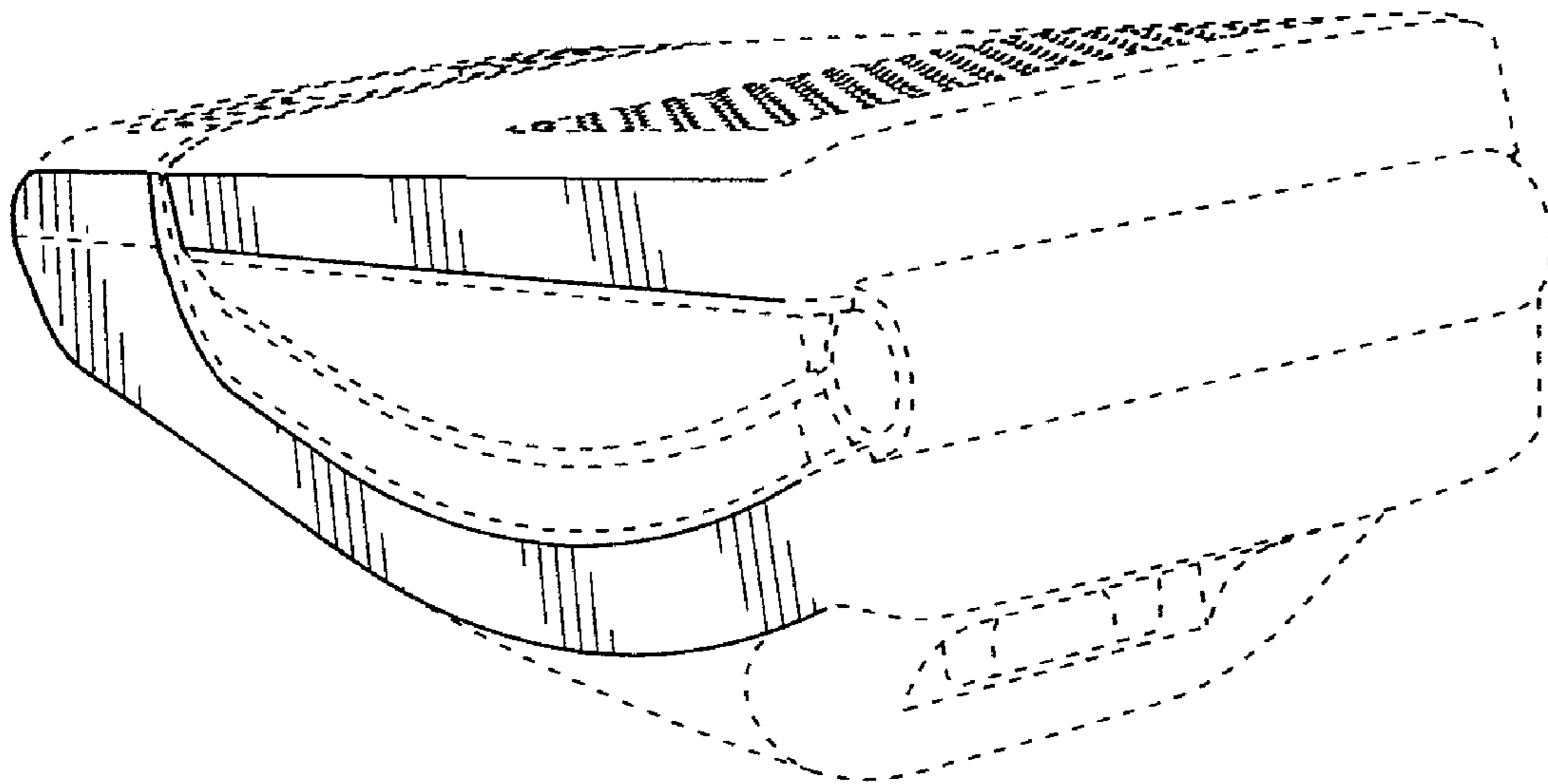


FIG. 3

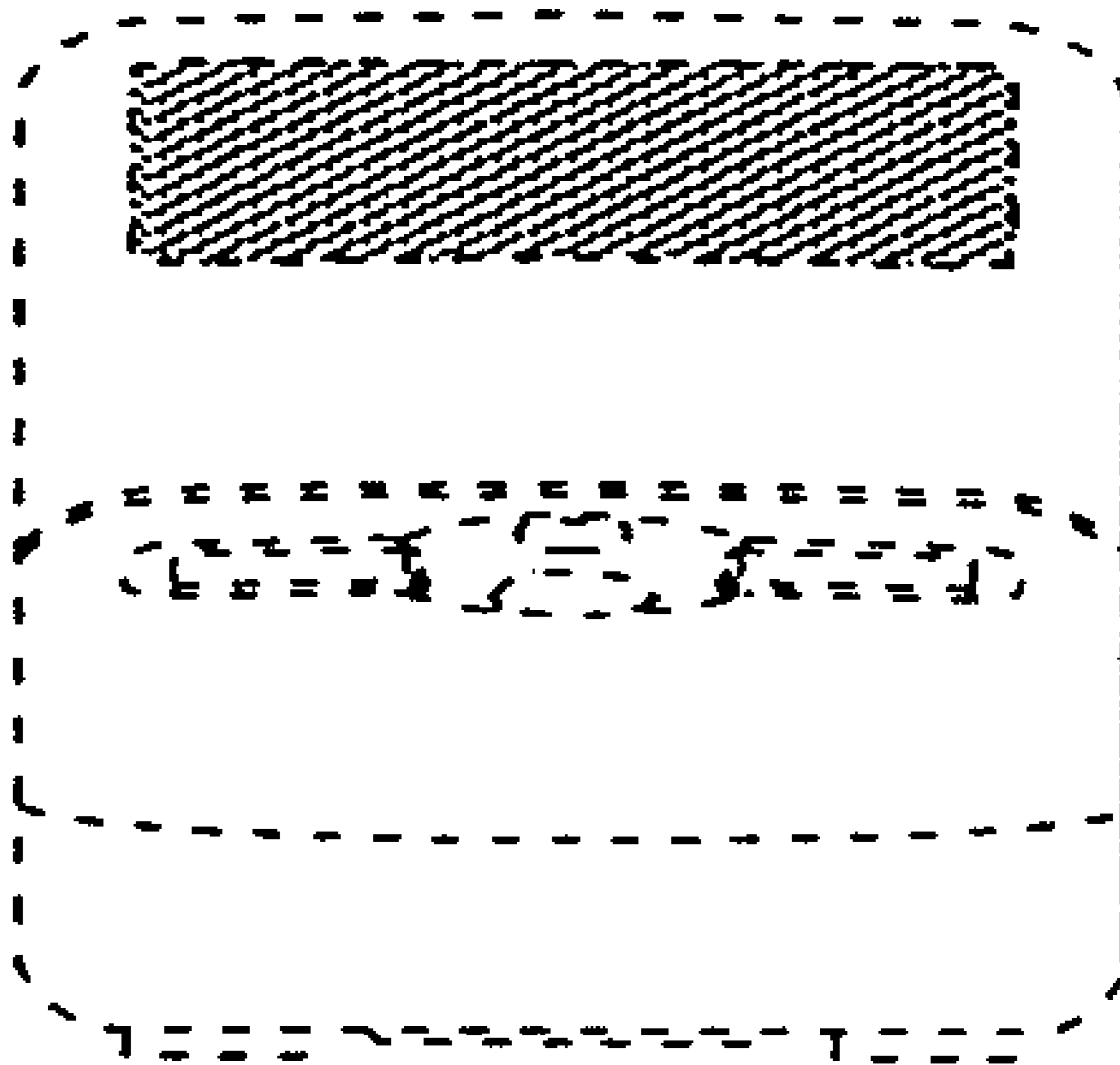


FIG. 4

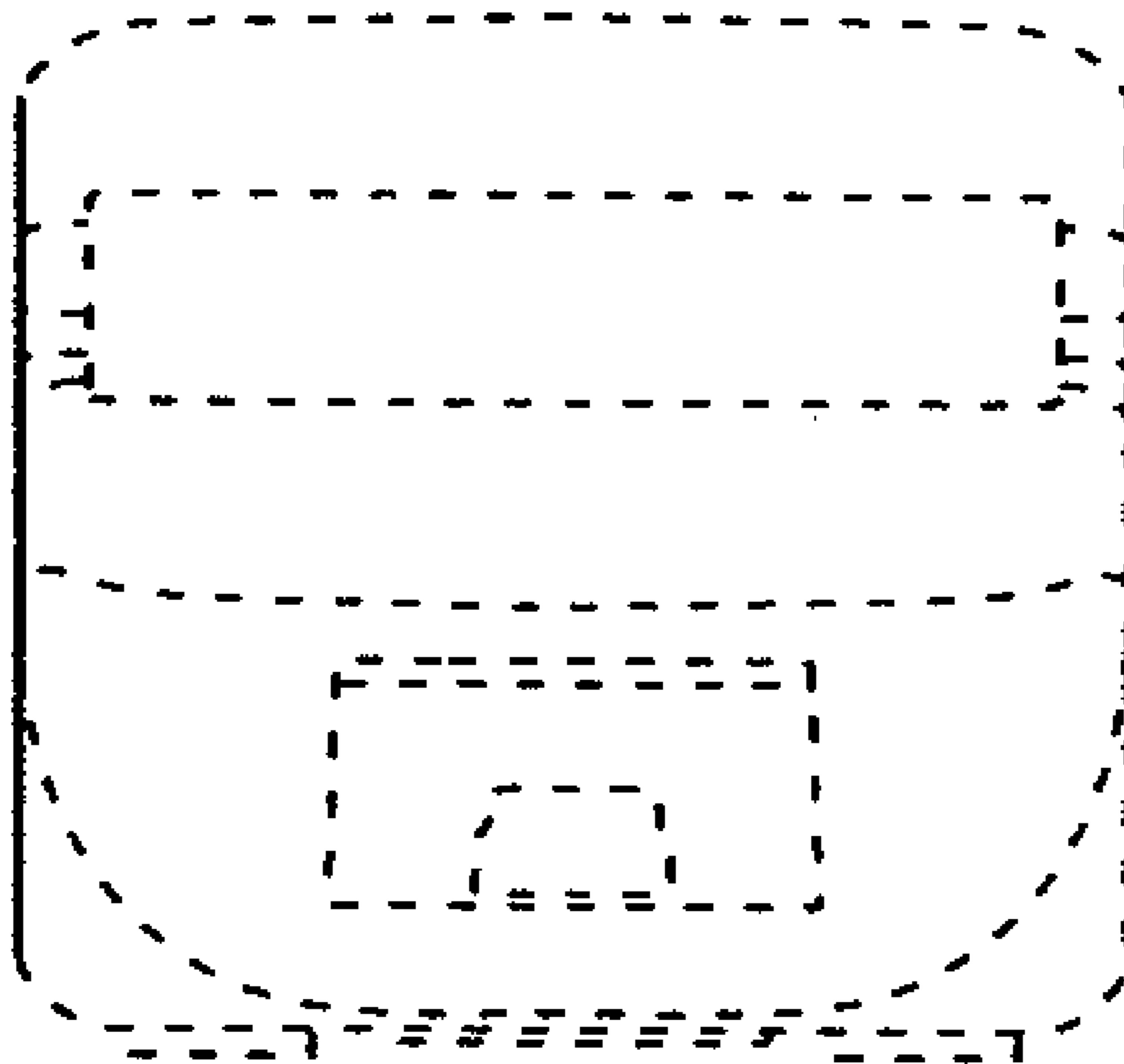


FIG. 5

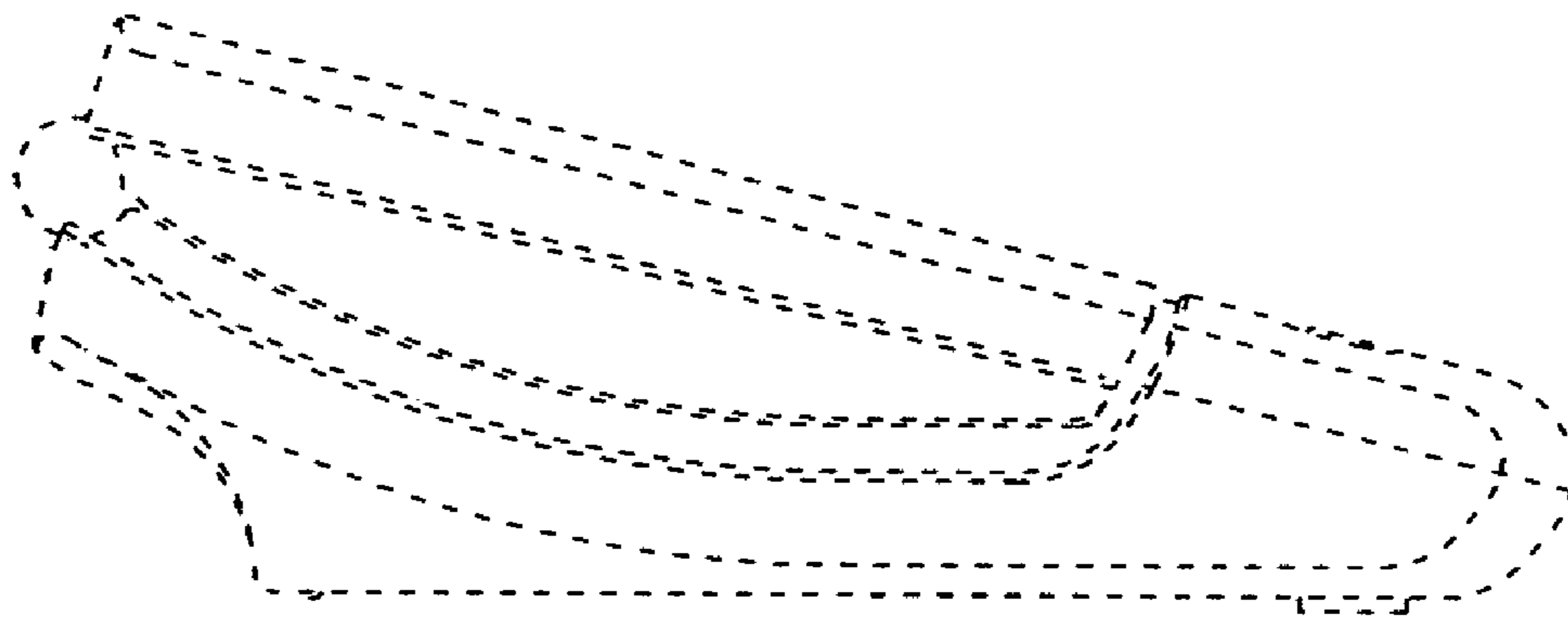


FIG. 6

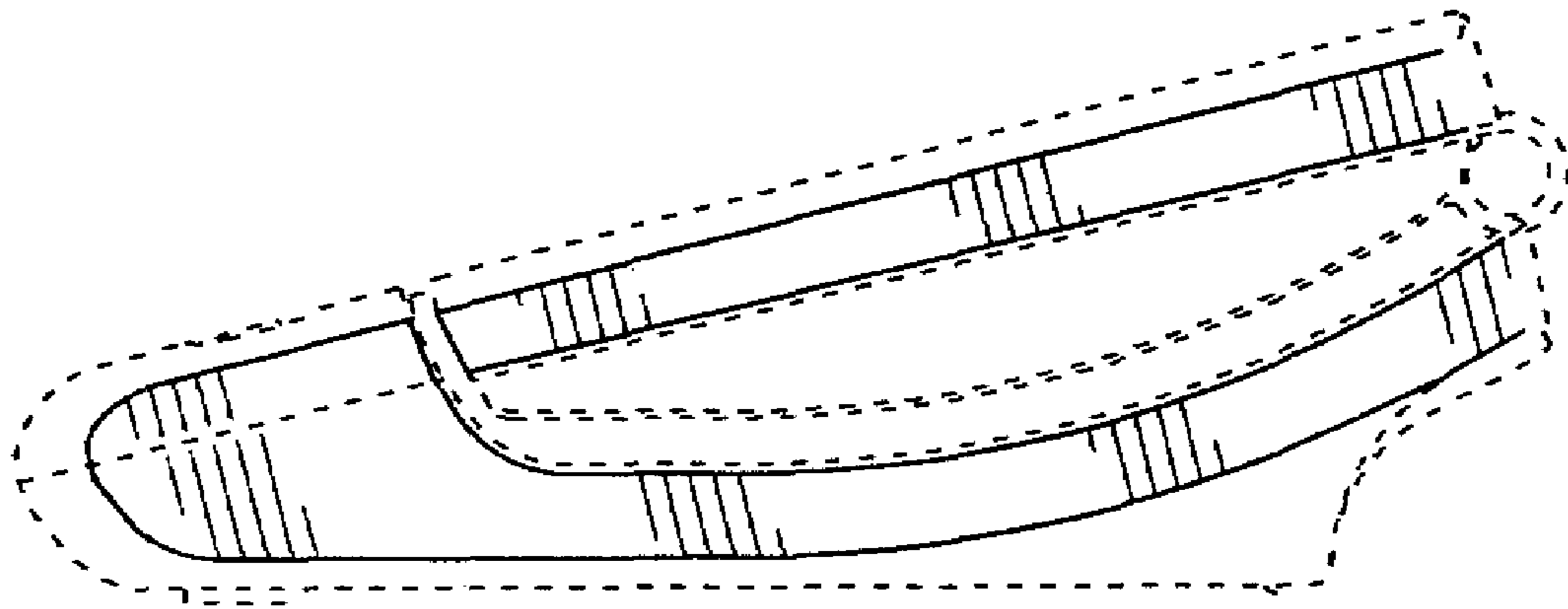


FIG. 7

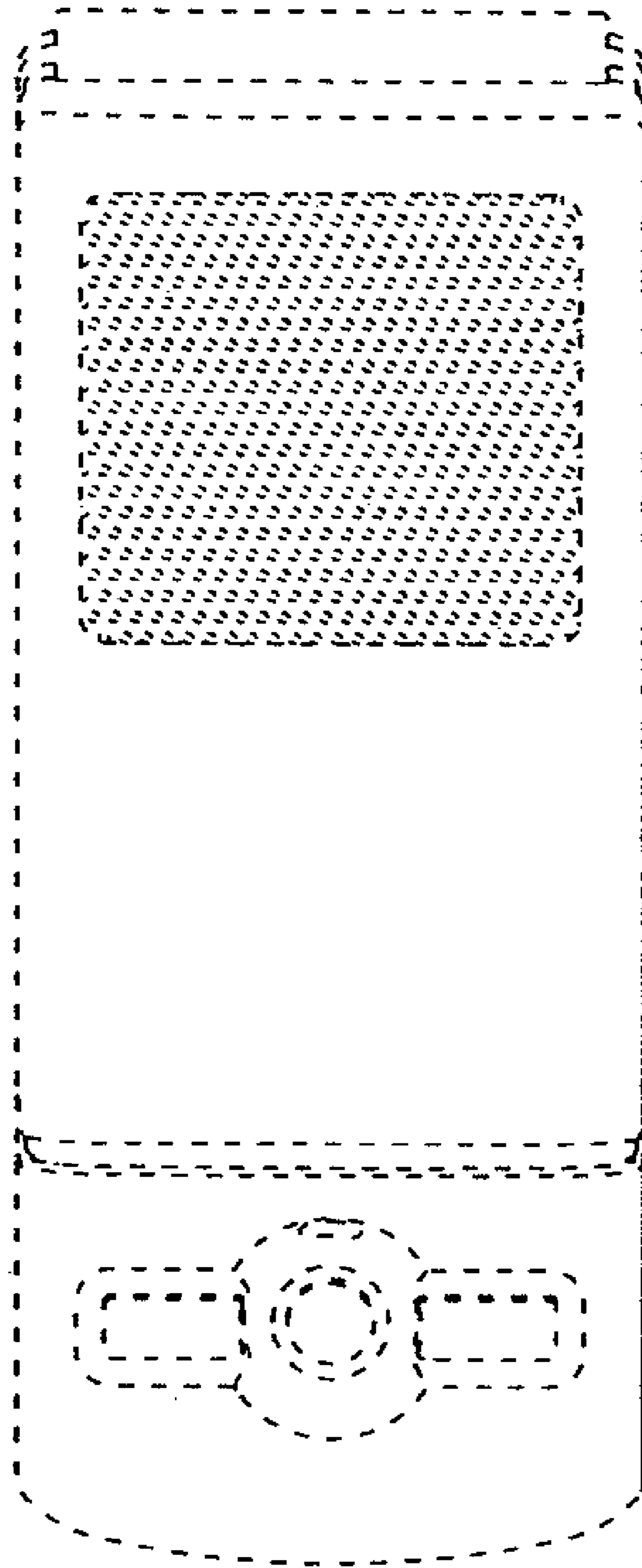


FIG. 8

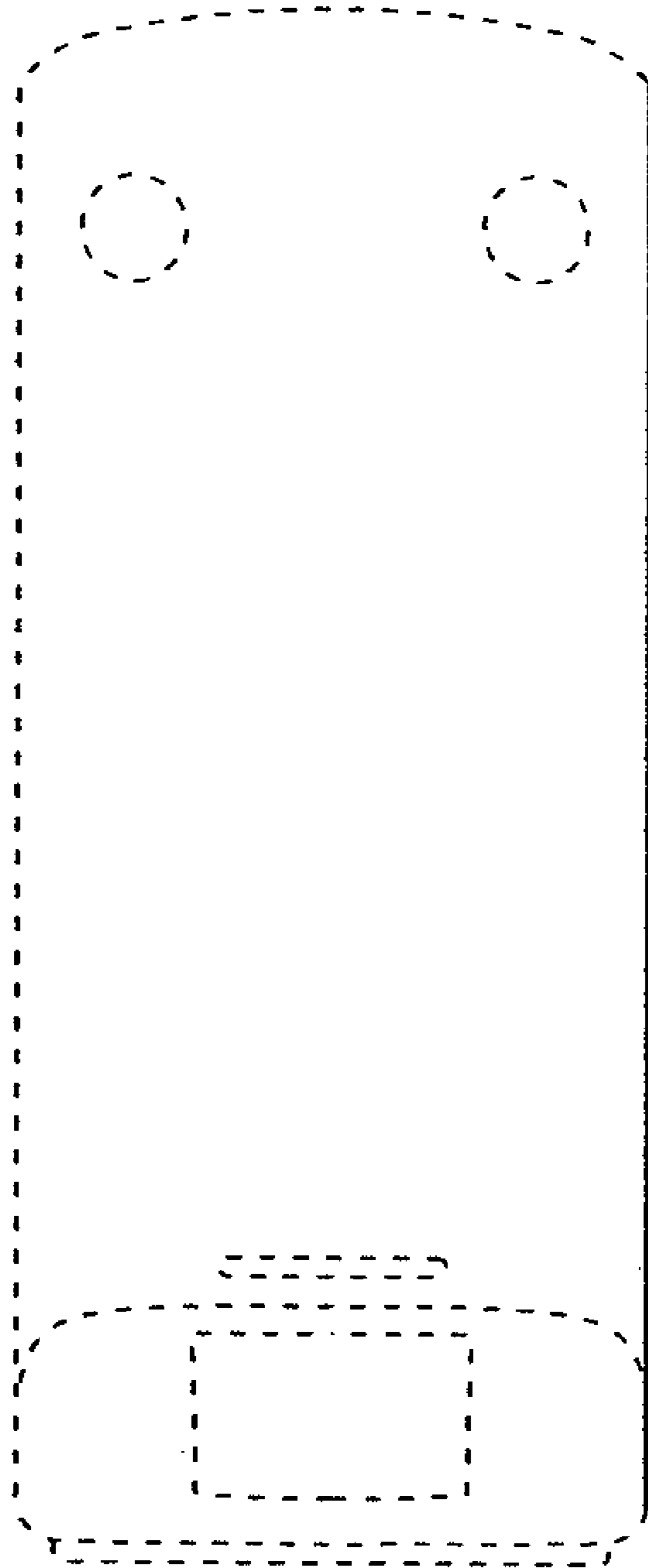


FIG.9

