



US00D580425S

(12) **United States Design Patent**
Miyata et al.

(10) **Patent No.:** **US D580,425 S**

(45) **Date of Patent:** **** Nov. 11, 2008**

(54) **TELEPHONE HANDSET**

(75) Inventors: **Kenji Miyata**, Kadoma (JP); **Takashi Hasegawa**, Kadoma (JP)

(73) Assignee: **Panasonic Corporation**, Osaka (JP)

(**) Term: **14 Years**

(21) Appl. No.: **29/270,469**

(22) Filed: **Dec. 22, 2006**

(51) **LOC (8) Cl.** **14-03**

(52) **U.S. Cl.** **D14/248**

(58) **Field of Classification Search** D14/137-138, D14/147-148, 156, 218, 247-248, 341-347, D14/390, 399, 455-456, 496, 385, 356; D16/208; D21/329, 331, 333, 517; 348/14.01-14.02; 361/814; 379/433.01-433.13; 455/90.3, 455/556.1-556.2, 566, 575.1, 575.3, 575.4; D13/164, 168; 439/165; 343/702

See application file for complete search history.

(56) **References Cited**

U.S. PATENT DOCUMENTS

D314,765 S	2/1991	Eriksson et al.	
D417,455 S *	12/1999	Sato et al.	D14/248
6,011,699 A *	1/2000	Murray et al.	361/814
D456,793 S *	5/2002	Wang	D14/138
D459,329 S *	6/2002	Suzuki et al.	D14/138
D460,961 S *	7/2002	Ikenaga et al.	D14/248
D462,064 S *	8/2002	Kim	D14/138
D464,032 S *	10/2002	Hayasaka et al.	D14/138
D464,632 S	10/2002	Nagai et al.	
D475,358 S *	6/2003	Wang et al.	D14/138
6,700,784 B2 *	3/2004	Huang et al.	361/715
D500,750 S *	1/2005	Arnholt et al.	D14/138
D513,742 S *	1/2006	Arnholt et al.	D14/138
7,180,756 B2 *	2/2007	Stone et al.	361/814
D554,093 S *	10/2007	Arnholt et al.	D14/138
D554,094 S *	10/2007	Ribeiro et al.	D14/138
D554,113 S *	10/2007	Arnholt et al.	D14/248
D558,711 S *	1/2008	Moon et al.	D14/138
D560,639 S *	1/2008	Kim et al.	D14/138

D561,728 S *	2/2008	Kim et al.	D14/138
D563,347 S *	3/2008	Park et al.	D14/138
D563,358 S *	3/2008	Baik et al.	D14/138
D563,359 S *	3/2008	Kim et al.	D14/138
D563,923 S *	3/2008	Leng et al.	D14/137
D565,532 S *	4/2008	Arnold	D14/138
D567,209 S *	4/2008	Moss et al.	D14/138
D574,804 S *	8/2008	Kim et al.	D14/138

FOREIGN PATENT DOCUMENTS

WO DM/068930 * 3/2007

OTHER PUBLICATIONS

Motorola KRZR K1, announced Jul. 2006, <URL:http://www.gsmarena.com/motorola_krZR_k1-pictures-1646.php>, retrieved from internet Aug. 16, 2008 11:47:58 PM.*

* cited by examiner

Primary Examiner—Jeffrey D Asch
Assistant Examiner—Carla Jobe Wright

(74) *Attorney, Agent, or Firm*—Brinks Hofer Gilson & Lione

(57) **CLAIM**

We claim the ornamental design for a telephone handset, as shown and described.

DESCRIPTION

FIG. 1 is a front perspective view of a telephone handset of the present invention;

FIG. 2 is a rear perspective view thereof;

FIG. 3 is a right side view thereof;

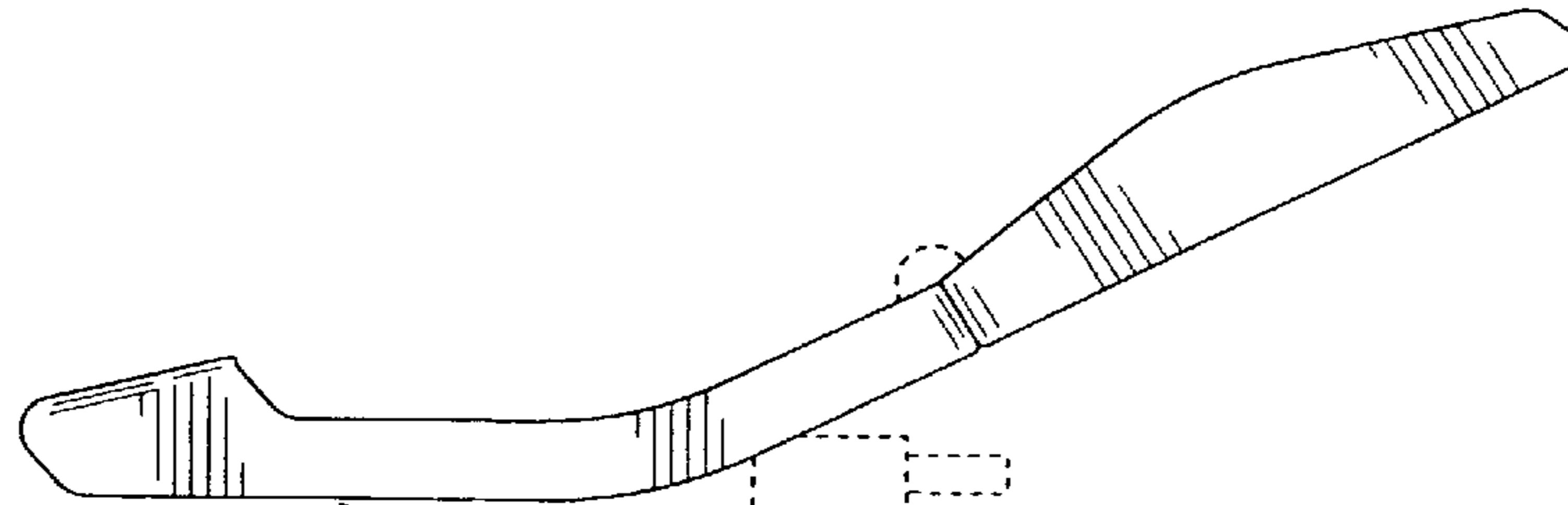
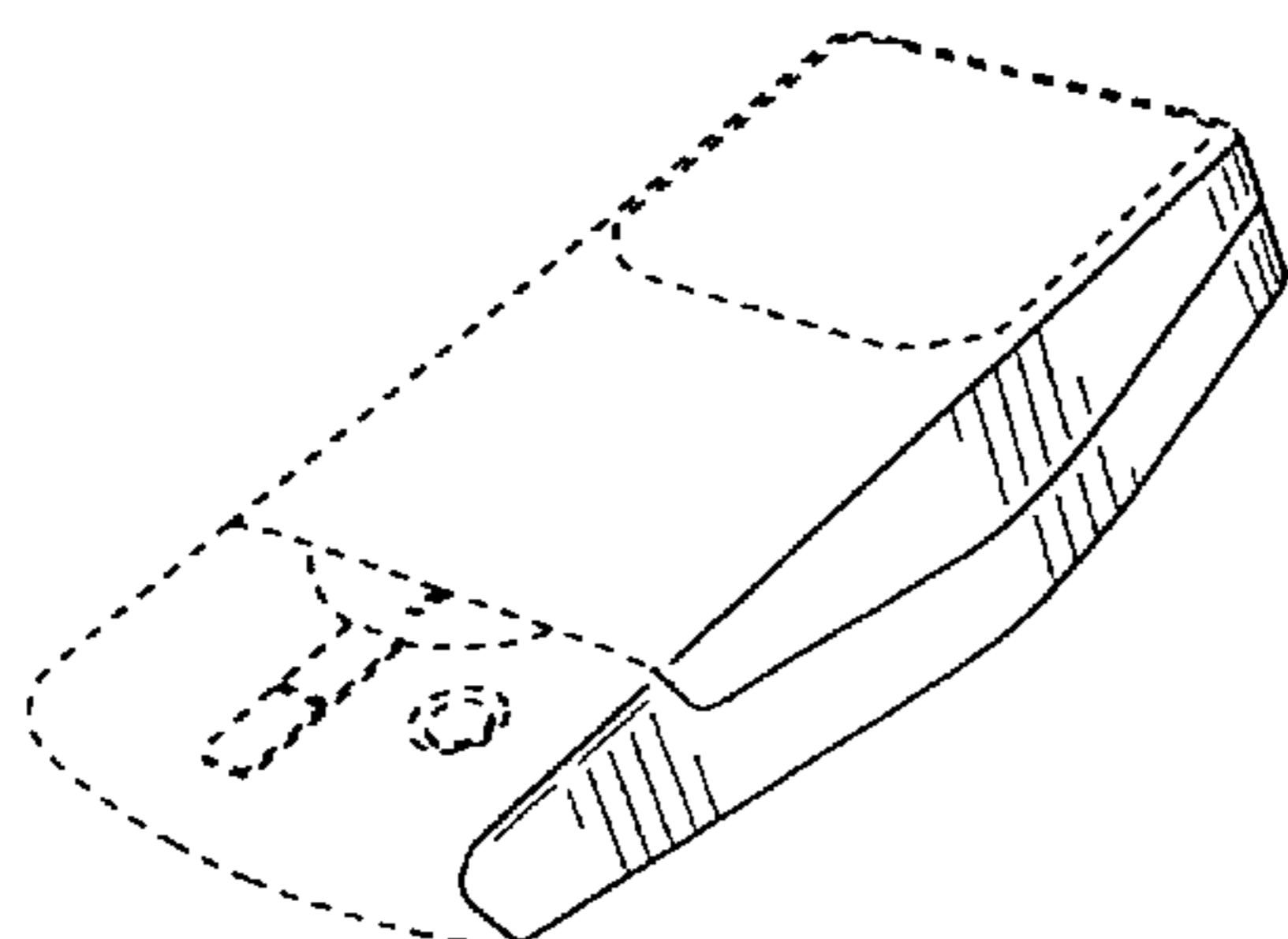
FIG. 4 is a front perspective view thereof shown in an opened position;

FIG. 5 is a rear perspective view thereof shown in an opened position; and,

FIG. 6 is a right side thereof shown in an opened position.

The broken line showing of the remainder of the telephone handset is for illustrative purposes only and forms no part of the claimed design.

1 Claim, 4 Drawing Sheets



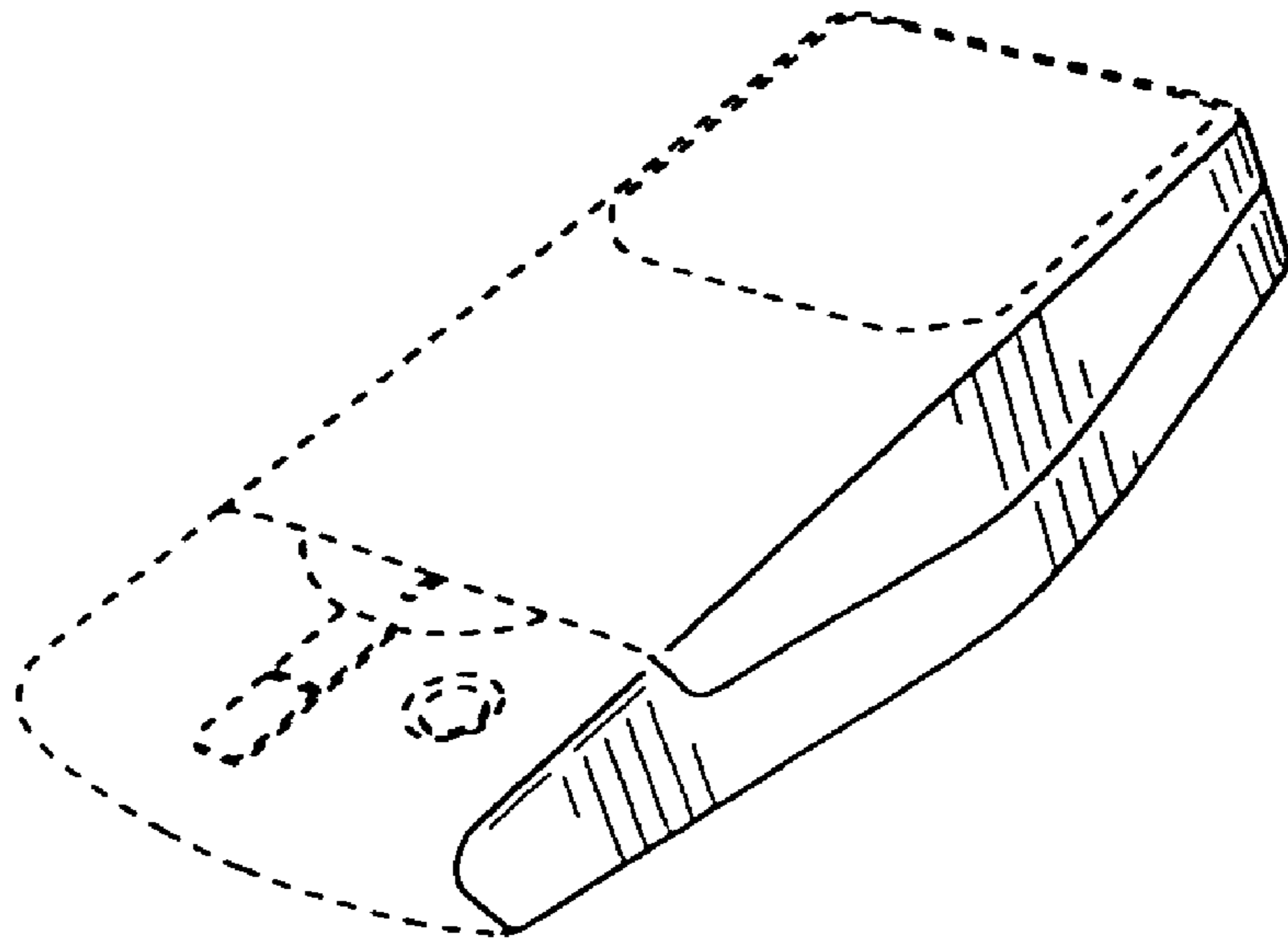


FIG. 1

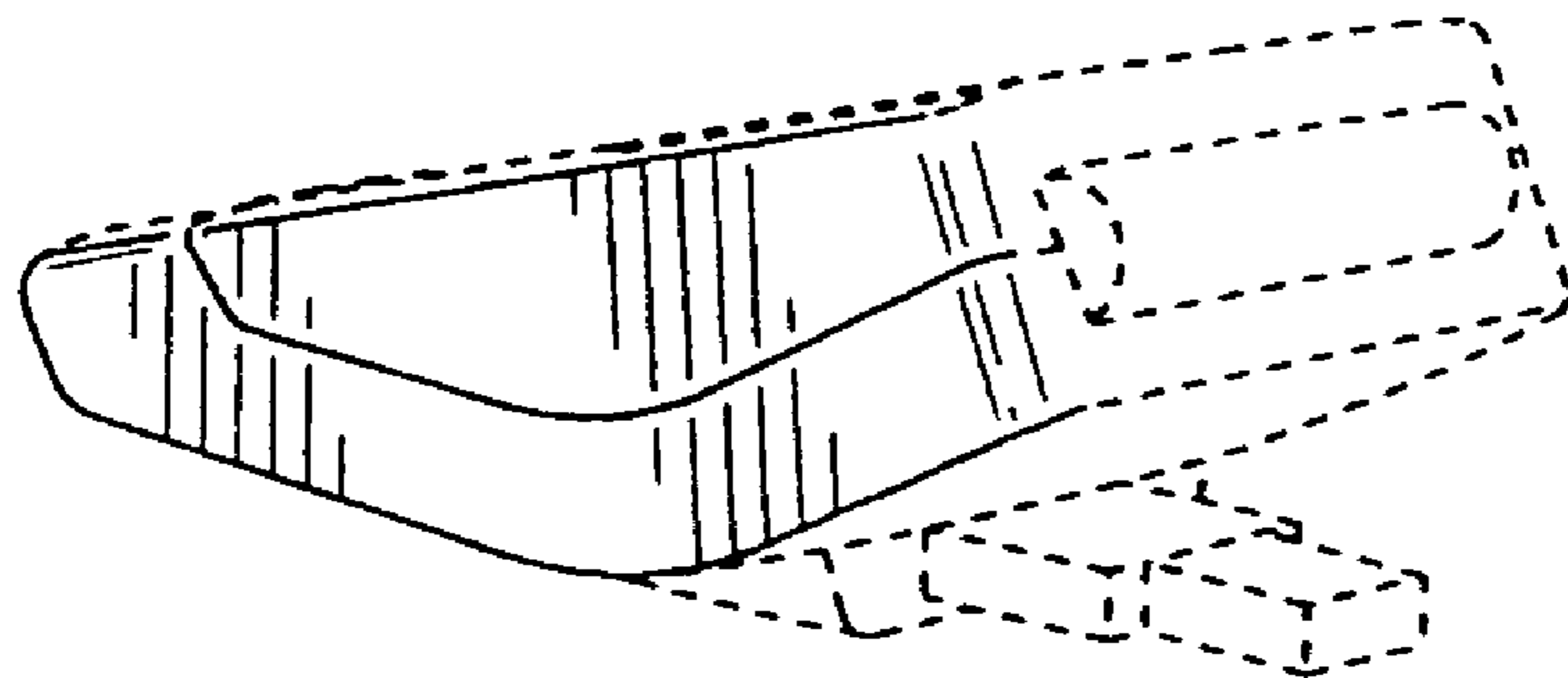


FIG. 2

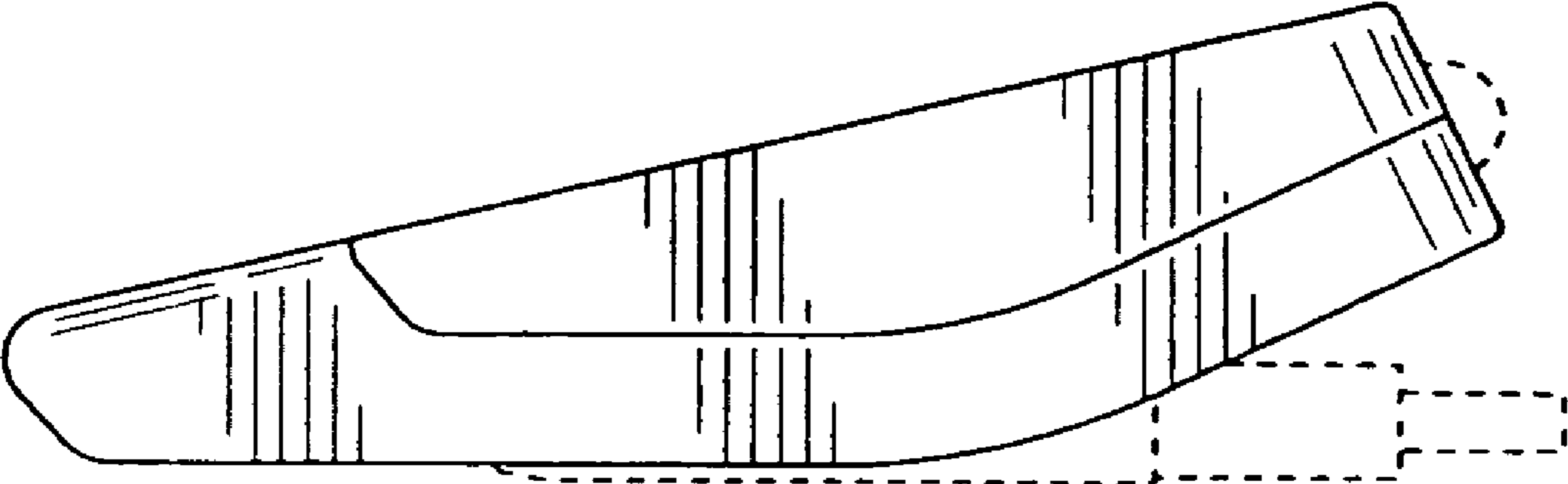


FIG.3

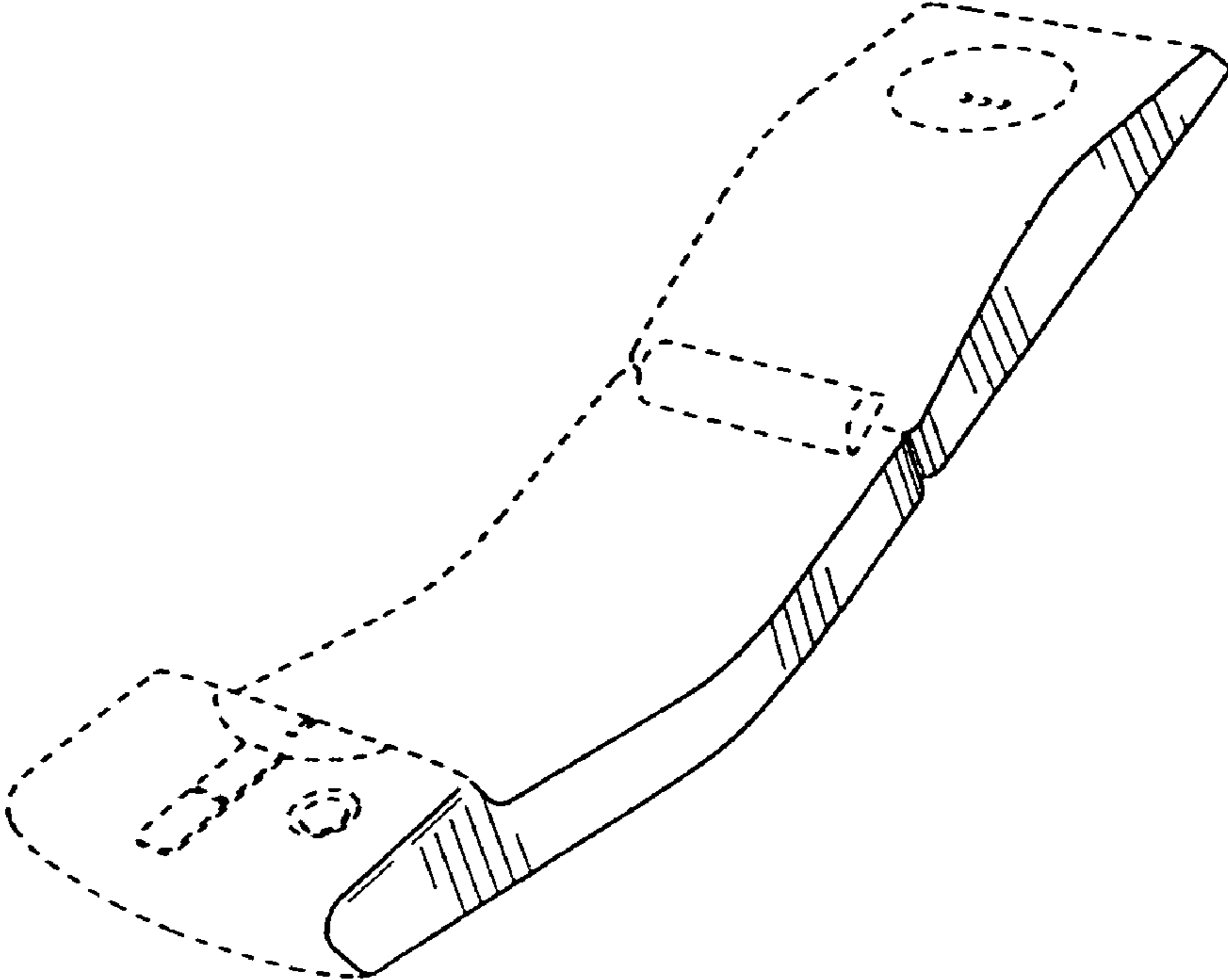


FIG. 4

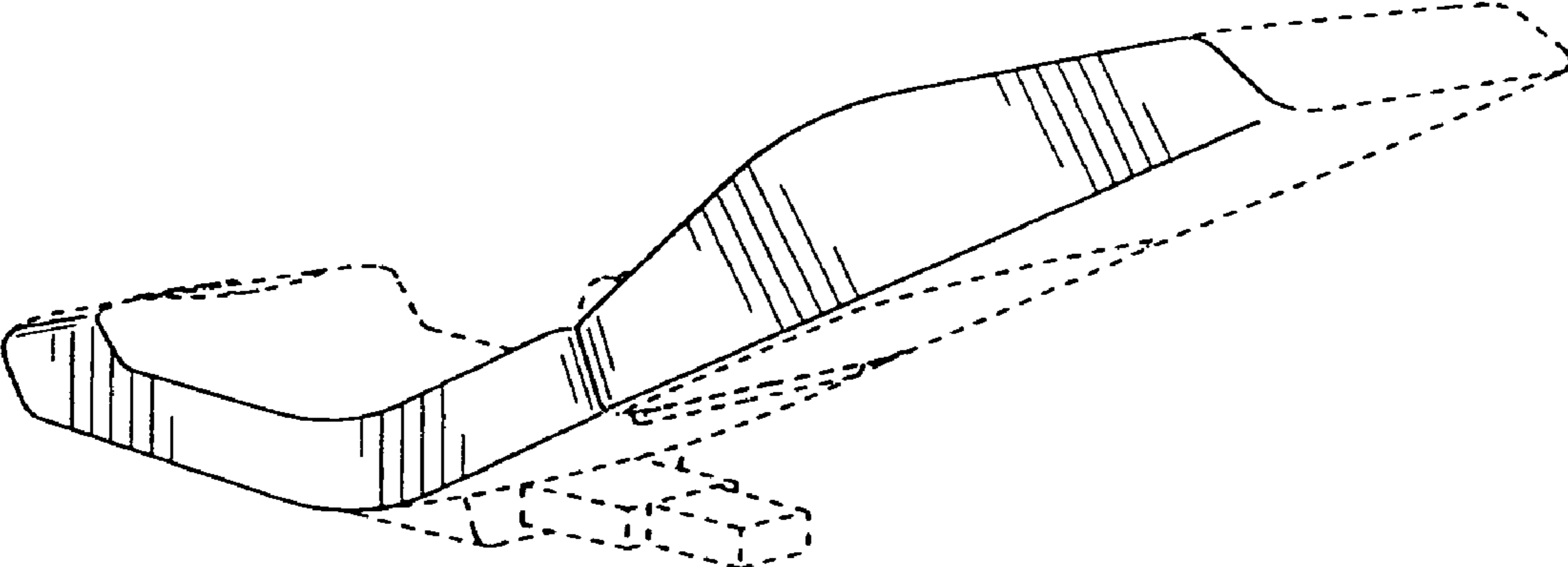


FIG. 5

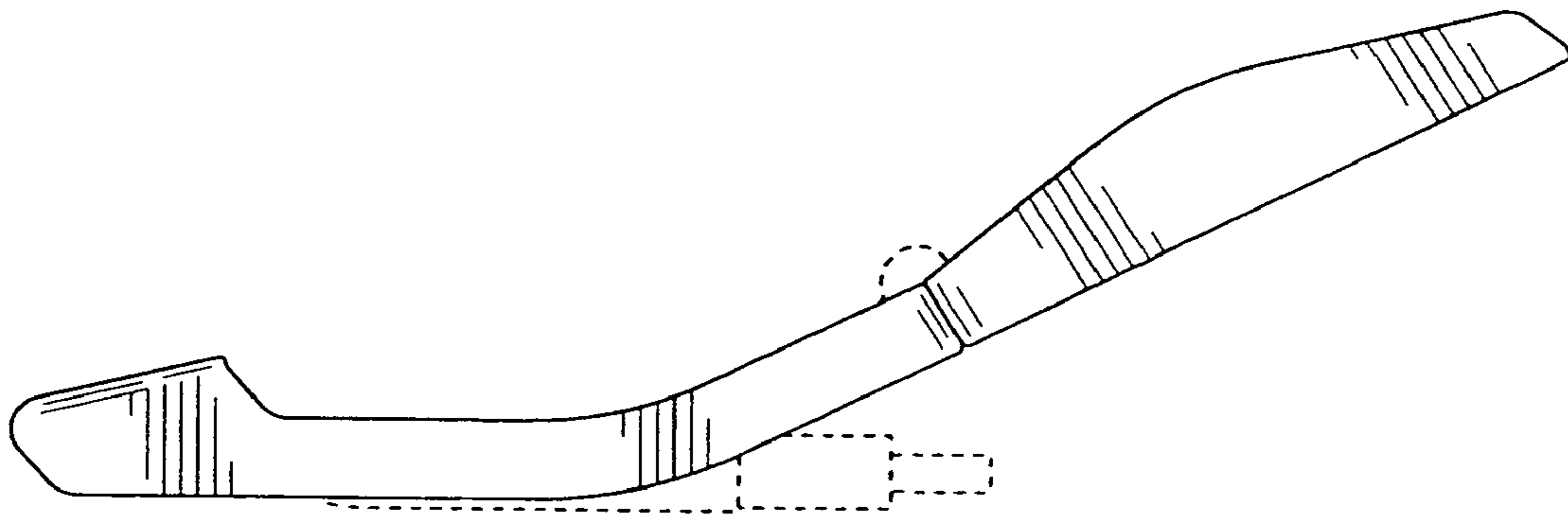


FIG.6