

US00D580424S

(12) **United States Design Patent**  
**Wang et al.**

(10) **Patent No.:** **US D580,424 S**

(45) **Date of Patent:** **\*\* Nov. 11, 2008**

(54) **LENS COVER FOR A MOBILE PHONE**

(75) Inventors: **Ching Chang Wang**, Tucheng (TW);  
**Chih Yu Chen**, Tucheng (TW); **Shao**  
**Guang Fang**, Tucheng (TW); **Jian**  
**Guang Huang**, Tucheng (TW)

(73) Assignee: **Cheng Uei Precision Industry Co.,**  
**Ltd.**, Taipei (TW)

(\*\*) Term: **14 Years**

(21) Appl. No.: **29/255,403**

(22) Filed: **Mar. 9, 2006**

(51) **LOC (8) Cl.** ..... **14-03**

(52) **U.S. Cl.** ..... **D14/248**

(58) **Field of Classification Search** ..... D14/138,  
D14/248, 341-347; D10/60; D16/130, 132,  
D16/134, 136, 200, 202, 204, 209, 212, 217,  
D16/219, 237; 348/14.01, 211.99, 373, 375;  
396/349

See application file for complete search history.

(56) **References Cited**

**U.S. PATENT DOCUMENTS**

D289,175 S *	4/1987	Noda	.....	D16/209
D305,665 S *	1/1990	Suyama	.....	D16/209
D363,502 S *	10/1995	MacMurtrie et al.	.....	D16/202
D383,766 S *	9/1997	Yamauchi et al.	.....	D16/202
5,701,533 A *	12/1997	Suzuki et al.	.....	396/349

5,797,047 A *	8/1998	Ando et al.	.....	396/349
D427,415 S *	7/2000	Dolphin	.....	D1/128
D443,979 S *	6/2001	Rijlaarsdam	.....	D3/202
D449,846 S *	10/2001	Suzuki et al.	.....	D16/219
D470,524 S *	2/2003	Ogura	.....	D16/219
D499,130 S *	11/2004	Naito et al.	.....	D16/219
D502,700 S *	3/2005	Takuma	.....	D14/345
D530,696 S *	10/2006	Lee	.....	D14/138

\* cited by examiner

*Primary Examiner*—Ian Simmons

*Assistant Examiner*—Carla Wright

(74) *Attorney, Agent, or Firm*—Rosenberg, Klein & Lee

(57) **CLAIM**

The ornamental design for a lens cover for a mobile phone, as shown and described.

**DESCRIPTION**

FIG. 1 is a perspective view of a lens cover for a mobile phone showing the new design;

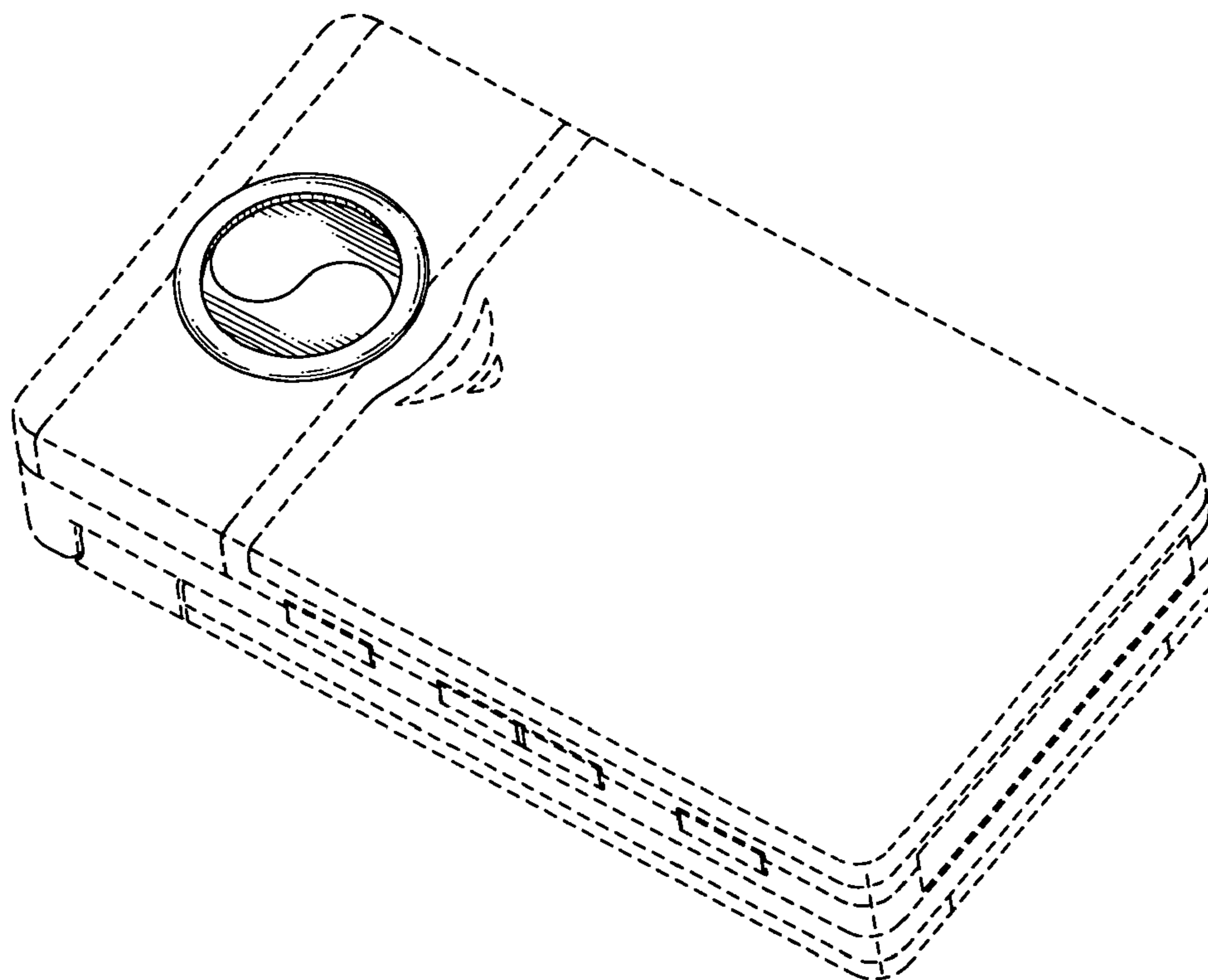
FIG. 2 is a front elevational view thereof;

FIG. 3 is a perspective view of the lens cover for a mobile phone showing the lens cover in a partially open state; and,

FIG. 4 is a perspective view of the lens cover for a mobile phone in a fully open state.

The broken line showing of environmental structures is for illustrative purposes only and forms no part of the claimed design.

**1 Claim, 4 Drawing Sheets**



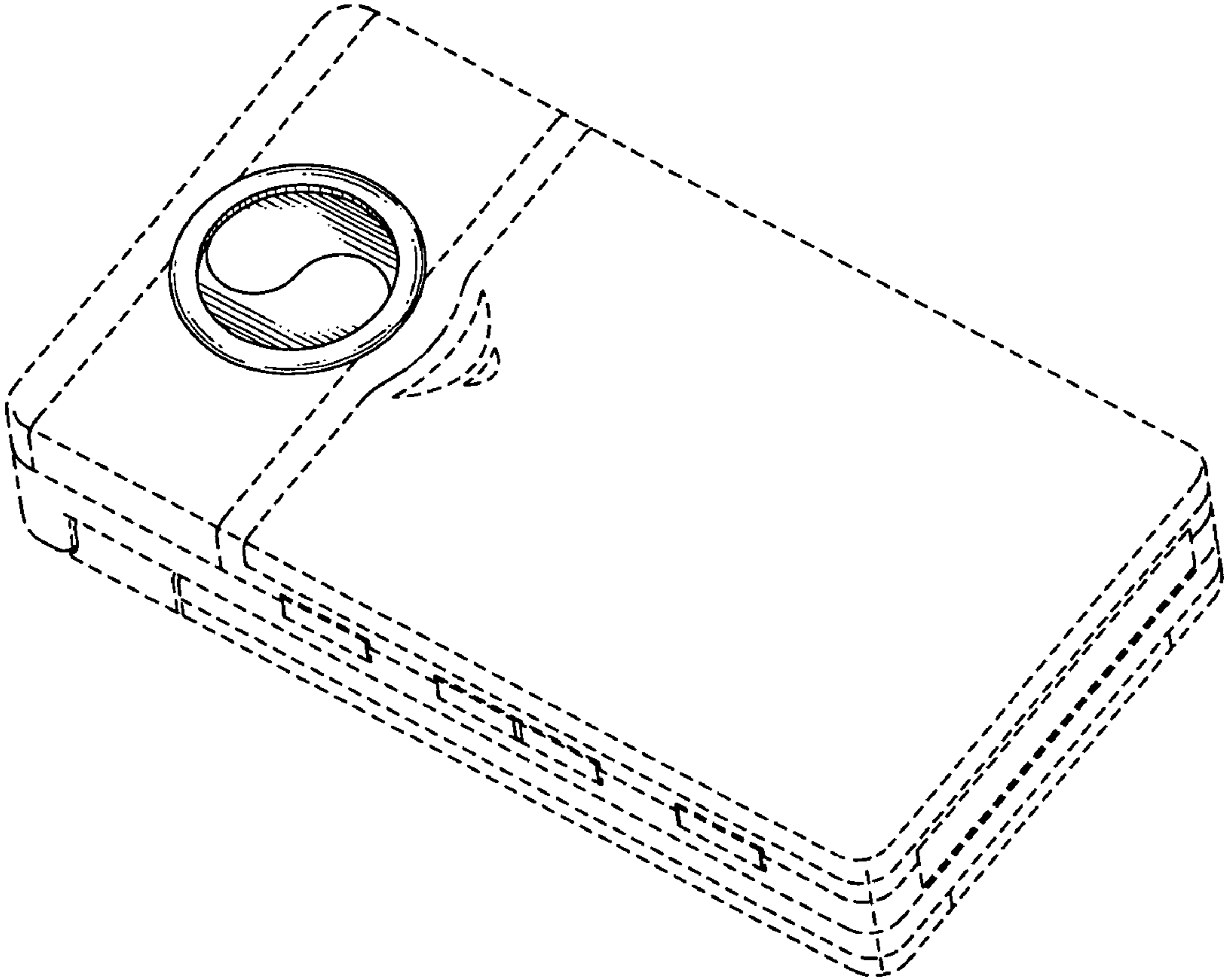


FIG. 1

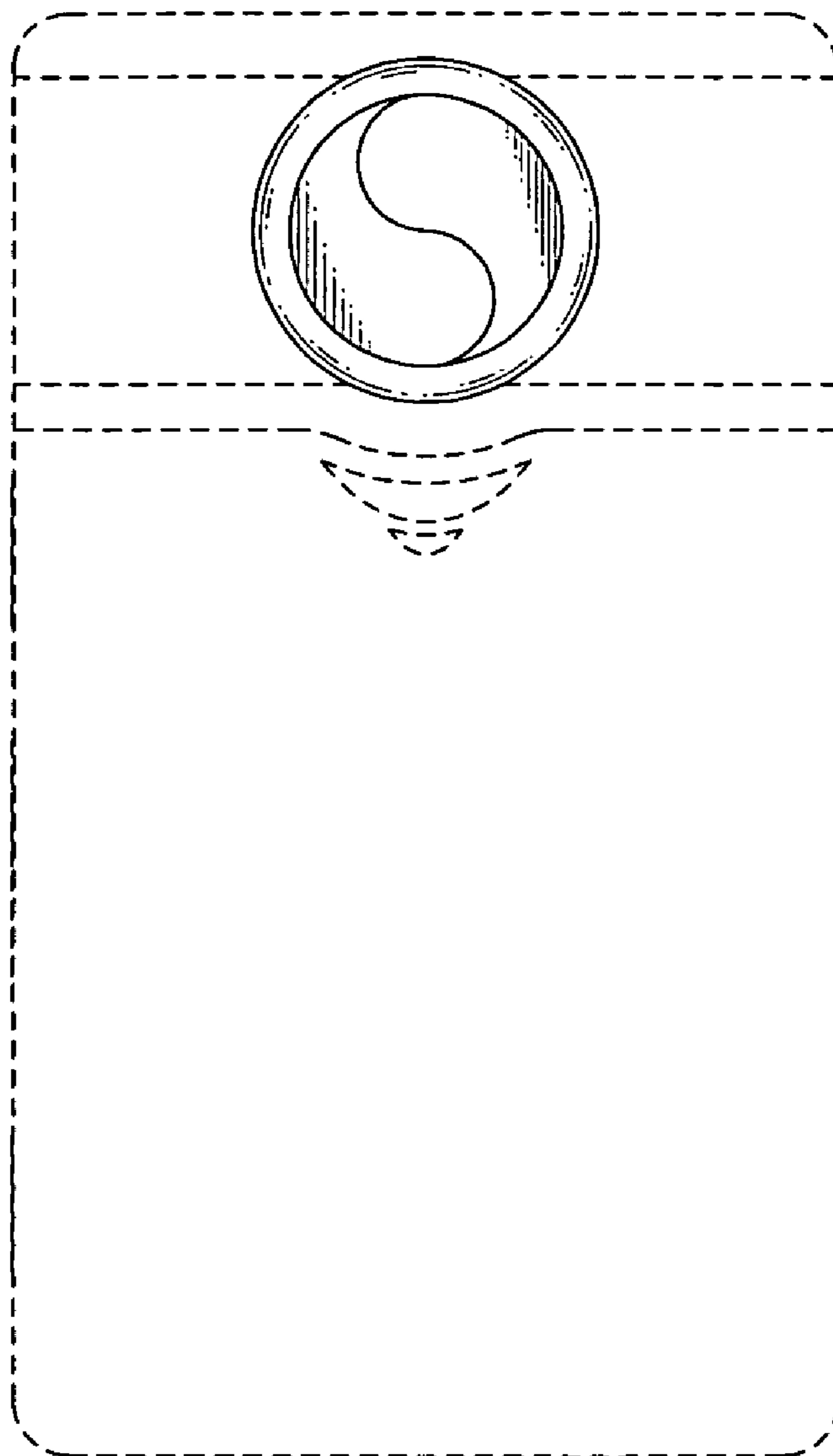


FIG. 2

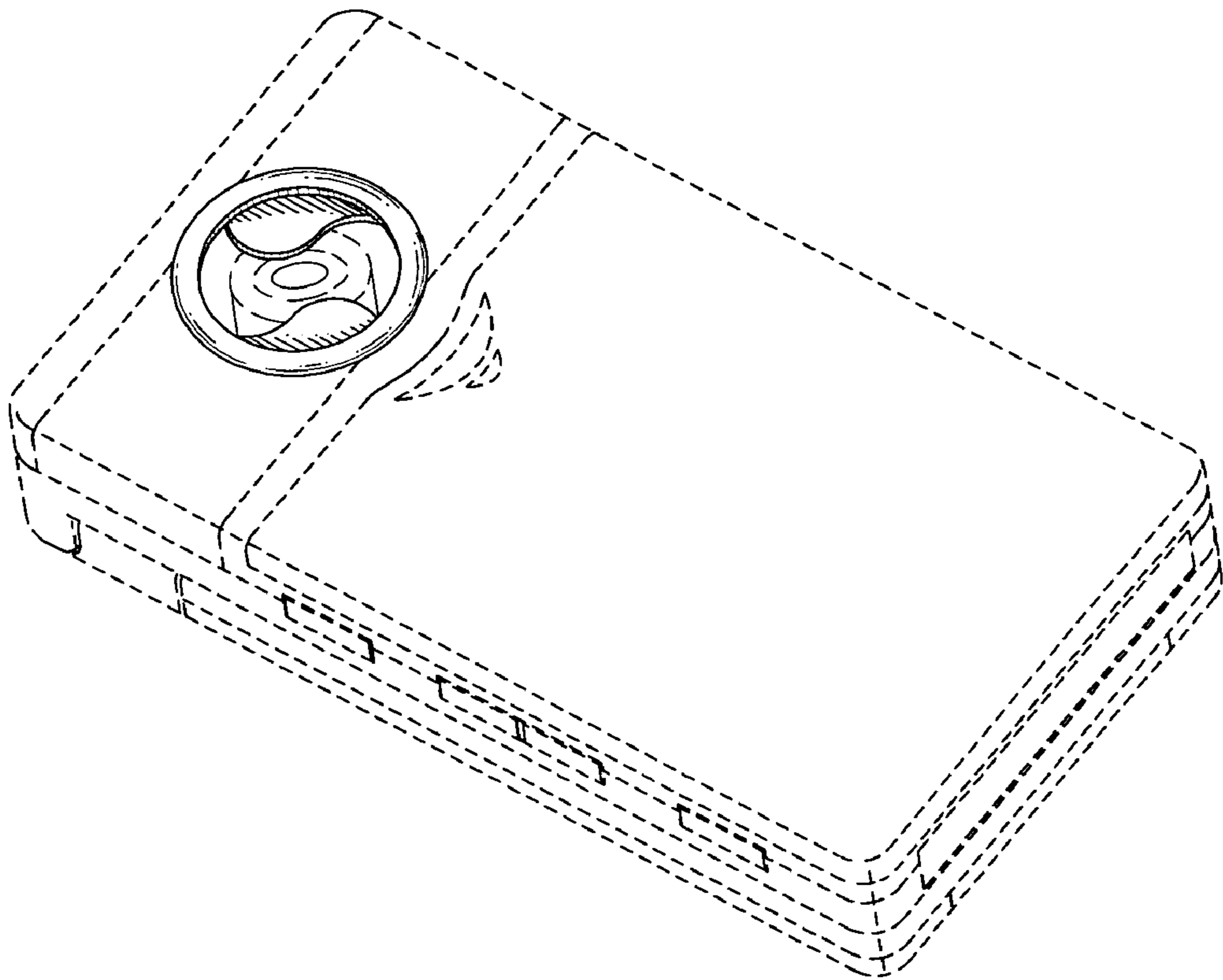


FIG. 3

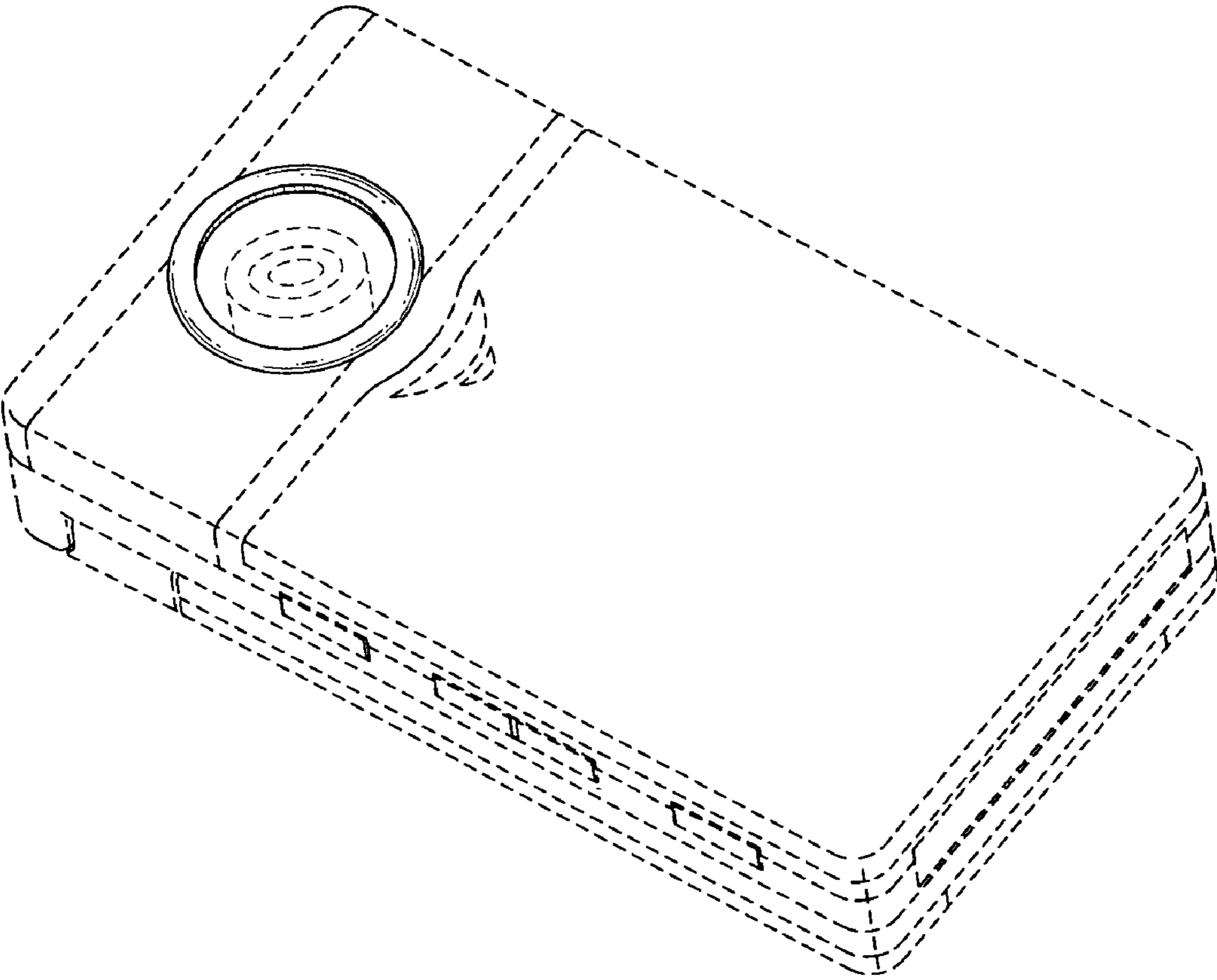


FIG. 4