



US00D580423S

(12) **United States Design Patent**  
**Ju**

(10) **Patent No.:** **US D580,423 S**  
(45) **Date of Patent:** **\*\* Nov. 11, 2008**

(54) **DATA REPEATER FOR WIRELESS COMMUNICATION APPARATUS**

(75) Inventor: **Tai-Hyung Ju**, Seoul (KR)

(73) Assignee: **Samsung Electronics Co., Ltd.**, Suwon-Si (KR)

(\*\*) Term: **14 Years**

(21) Appl. No.: **29/290,662**

(22) Filed: **Dec. 31, 2007**

(30) **Foreign Application Priority Data**

Sep. 6, 2007 (KR) ..... 30-2007-0038127

(51) **LOC (8) Cl.** ..... **14-03**

(52) **U.S. Cl.** ..... **D14/240; D14/358**

(58) **Field of Classification Search** ..... D14/242, D14/496, 240, 167, 302, 314, 348-358, 363, D14/383, 433; D13/149, 184; D3/201, 273; 379/220.01, 221.09, 220.14, 25, 93.09, 93.19, 379/156, 900, 338-339, 441; 711/100, 115; 361/658, 725, 752; 369/272.1, 273, 75.11; 360/133, 79.01, 97.03

See application file for complete search history.

(56) **References Cited**

**U.S. PATENT DOCUMENTS**

D375,485 S \* 11/1996 Gray ..... D14/351  
D409,199 S \* 5/1999 Taguchi et al. .... D14/217  
D417,223 S \* 11/1999 Groves et al. .... D14/242  
D446,143 S \* 8/2001 Kliegman et al. .... D10/104  
D447,479 S \* 9/2001 Tierney ..... D14/351  
D484,497 S \* 12/2003 Alviar et al. .... D14/240  
D489,720 S \* 5/2004 Sasaki ..... D14/358  
D490,404 S \* 5/2004 Chan ..... D14/240  
D511,341 S \* 11/2005 Chen ..... D14/240

D514,563 S \* 2/2006 Kuramashi et al. .... D14/358  
D534,910 S \* 1/2007 Weiher et al. .... D14/356  
D541,274 S \* 4/2007 Wang ..... D14/356  
D545,309 S \* 6/2007 Noda et al. .... D14/349  
D549,223 S \* 8/2007 McKimm et al. .... D14/240  
D556,190 S \* 11/2007 Liu et al. .... D14/240  
D559,841 S \* 1/2008 Liu et al. .... D14/240  
D568,310 S \* 5/2008 Franck et al. .... D14/356  
D570,845 S \* 6/2008 Liu et al. .... D14/433  
D570,846 S \* 6/2008 Liu et al. .... D14/433

\* cited by examiner

*Primary Examiner*—Charles A. Rademaker

*Assistant Examiner*—Charles D Hanson

(74) *Attorney, Agent, or Firm*—Staas & Halsey LLP

(57) **CLAIM**

The ornamental design for a data repeater for wireless communication apparatus, as shown and described.

**DESCRIPTION**

FIG. 1 is a perspective view of a data repeater for wireless communication apparatus showing my new design;

FIG. 2 is a front view thereof;

FIG. 3 is a rear view thereof;

FIG. 4 is a left side view thereof;

FIG. 5 is a right side view thereof;

FIG. 6 is a top plan view thereof;

FIG. 7 is a bottom plan view thereof;

FIG. 8 is a left side view thereof, in an installed position; and,

FIG. 9 is another left side view in an installed position.

The broken line showing of the installation surfaces in FIGS. 8 and 9 is included for the purpose of illustrating environment and forms no part of the claimed design.

**1 Claim, 7 Drawing Sheets**

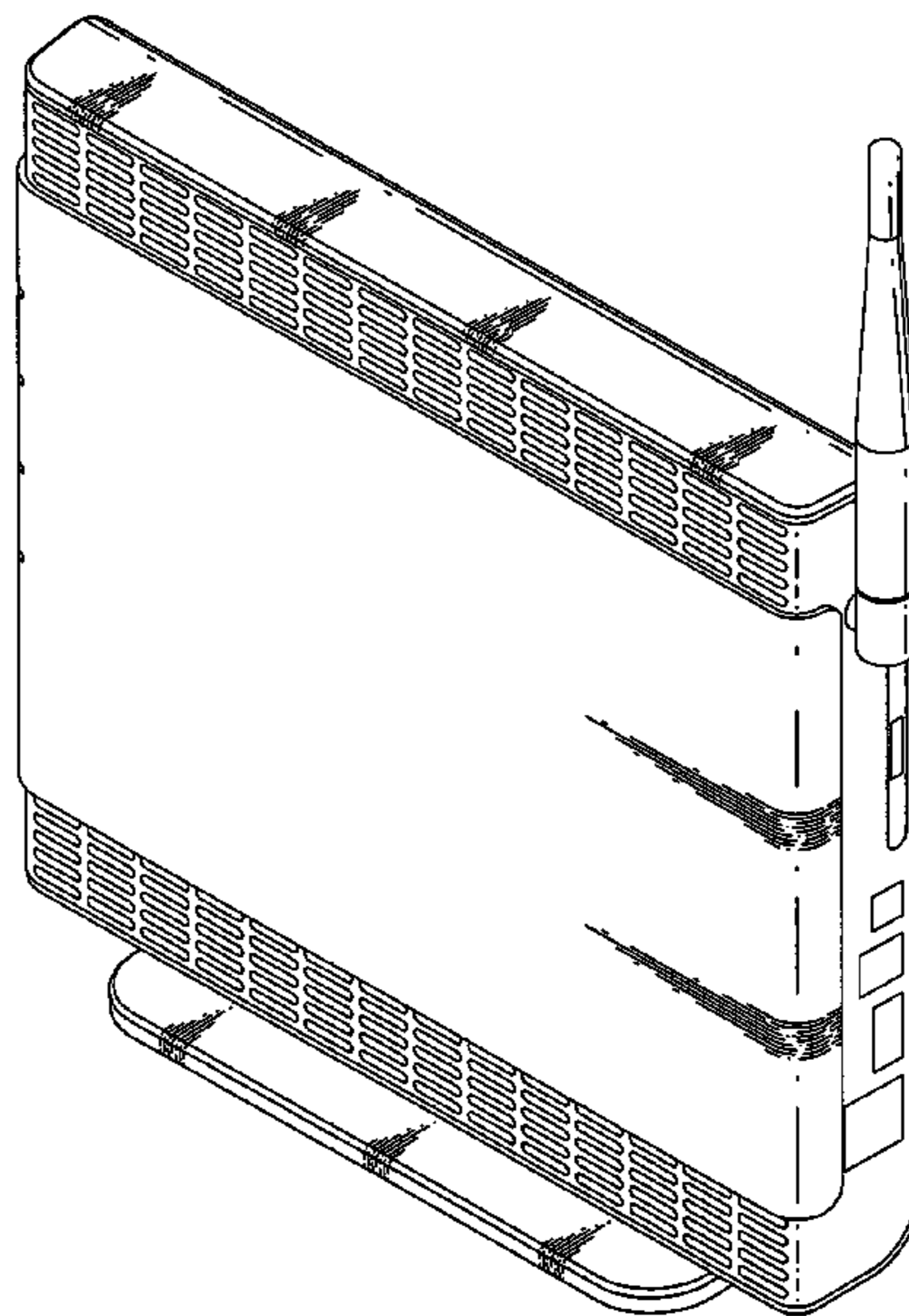


FIG. 1

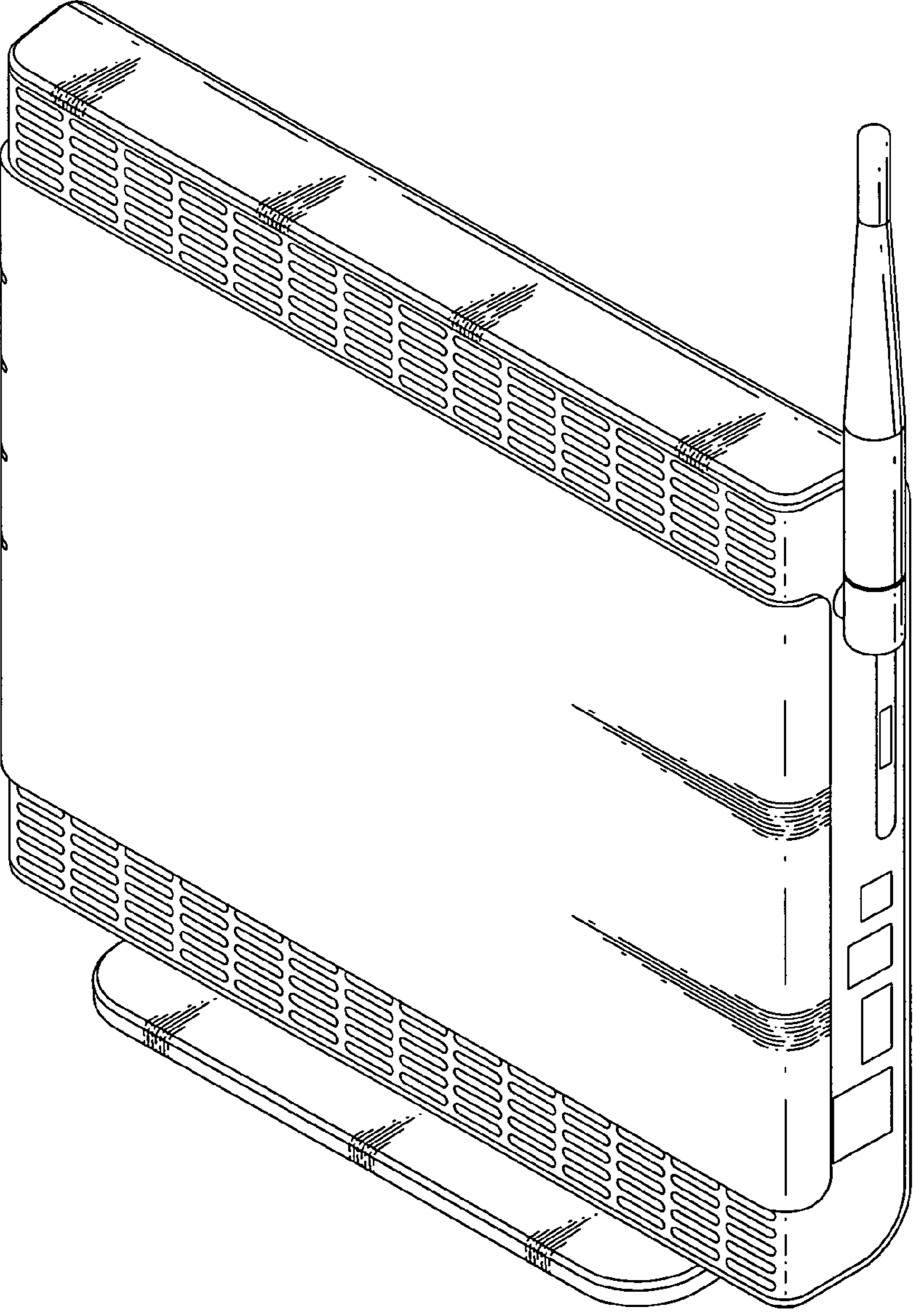


FIG. 2

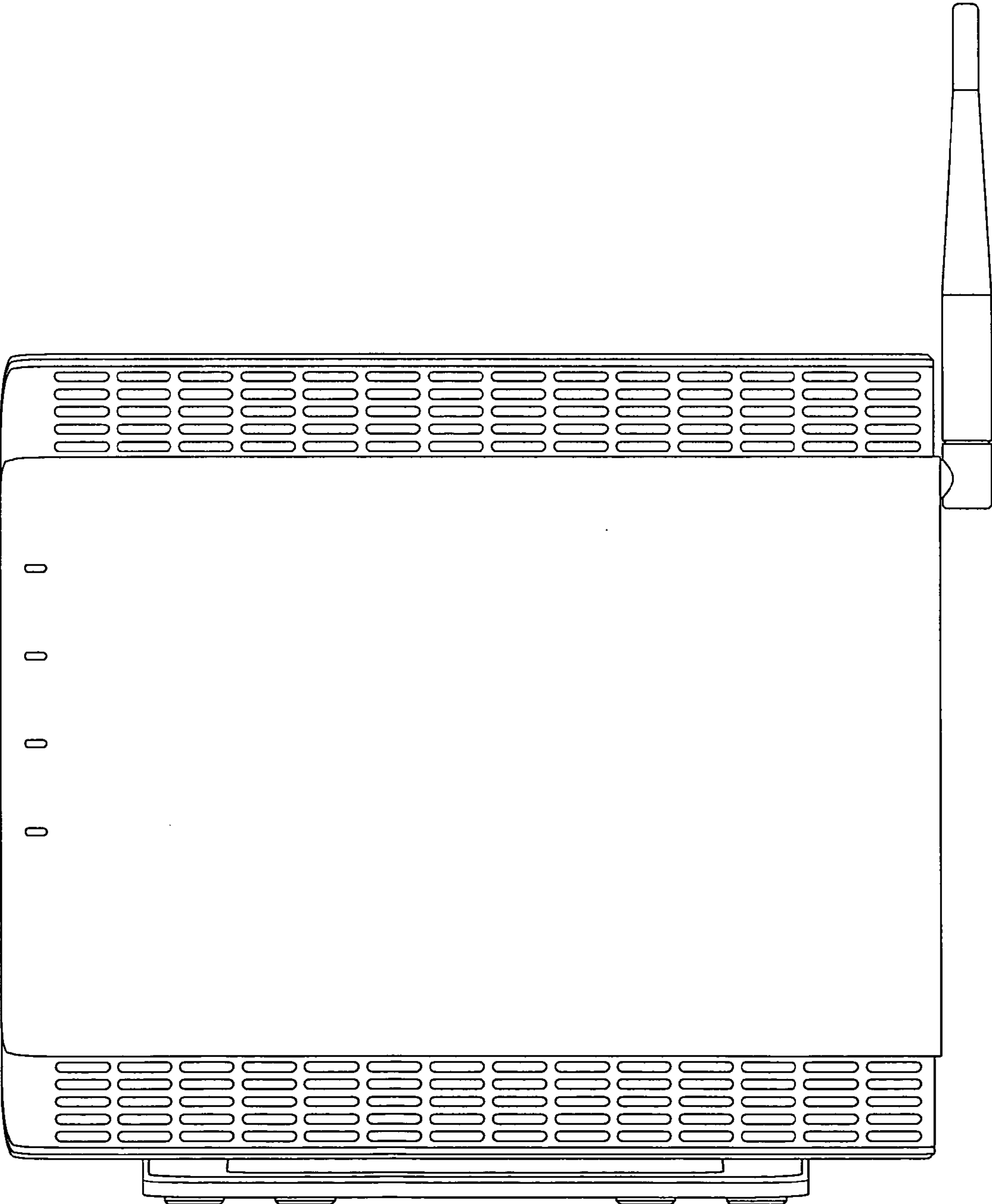


FIG. 3

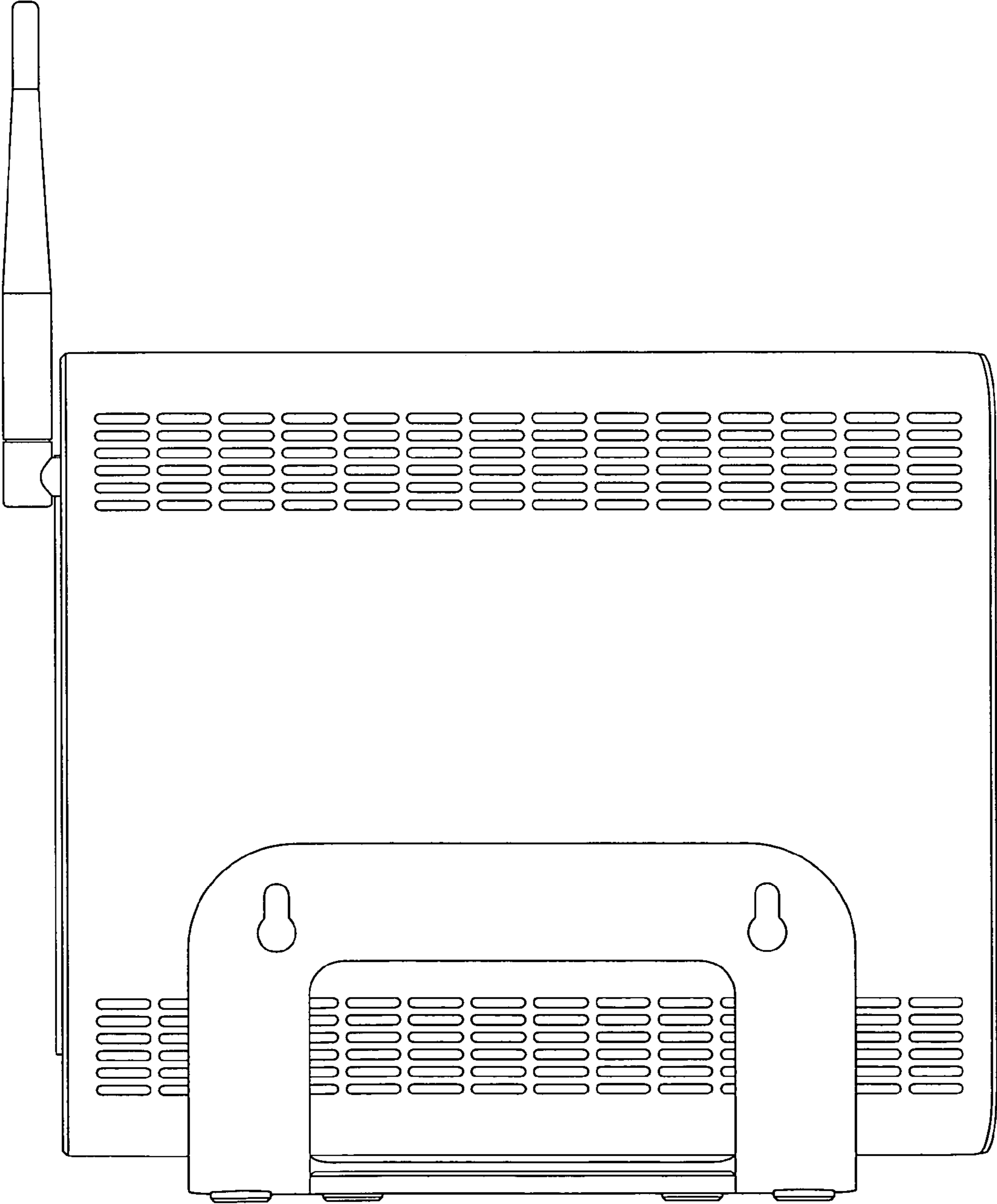


FIG. 4

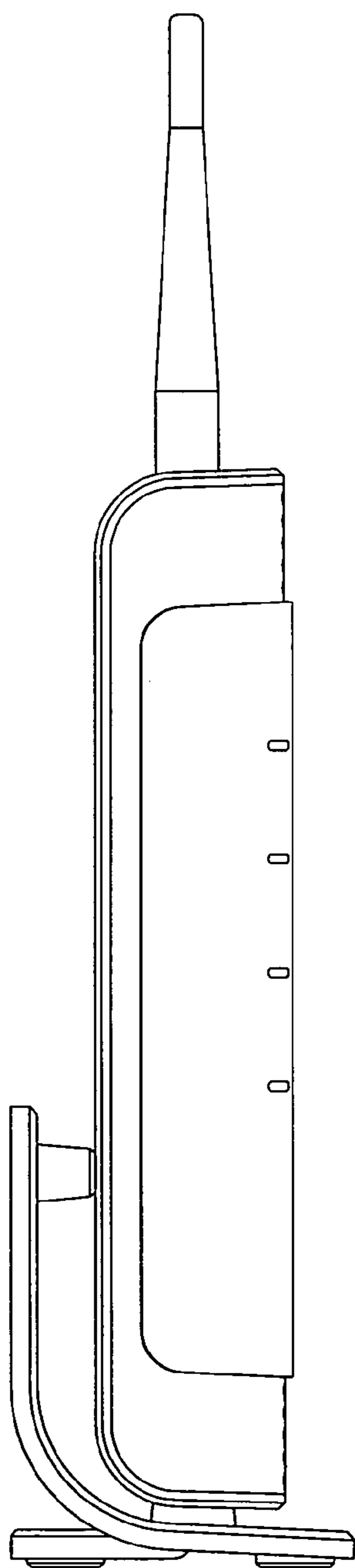


FIG. 5

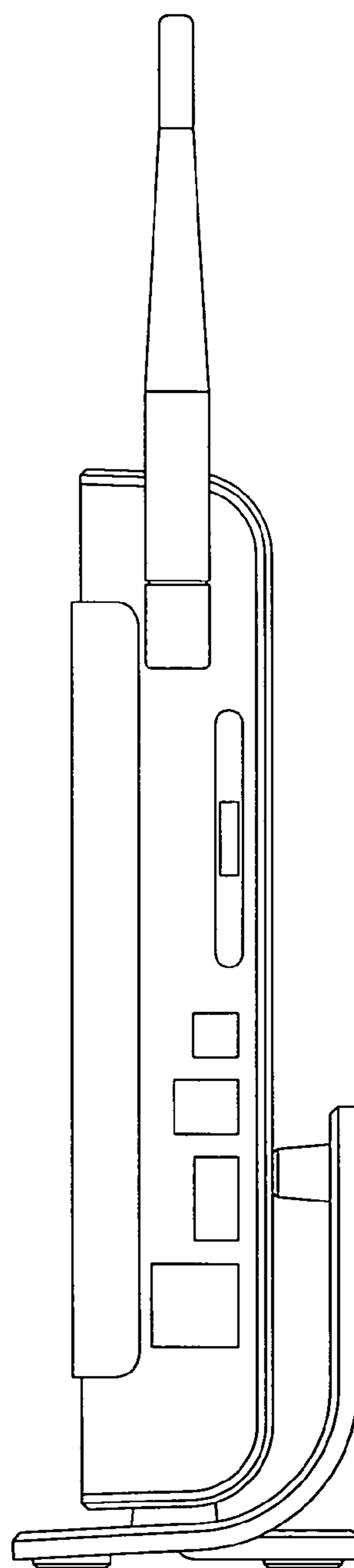


FIG. 6

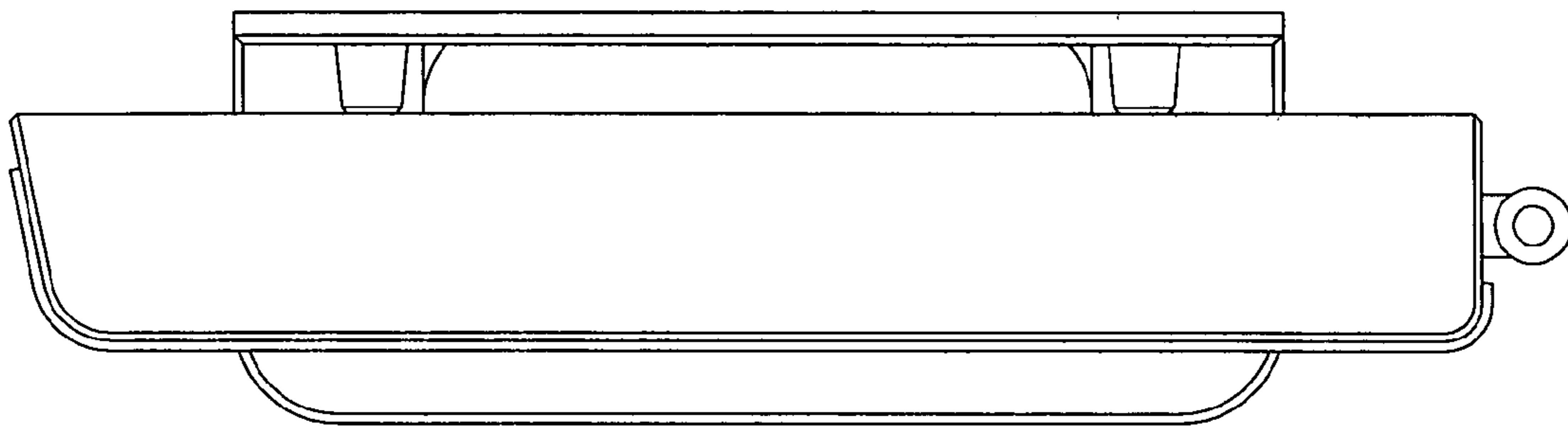


FIG. 7

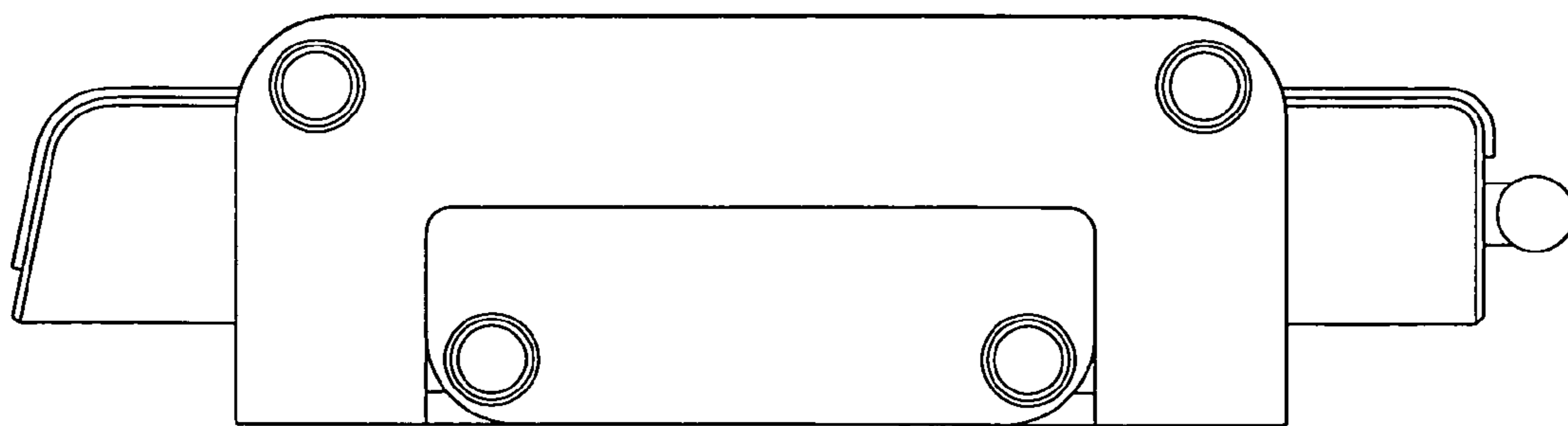


FIG. 8

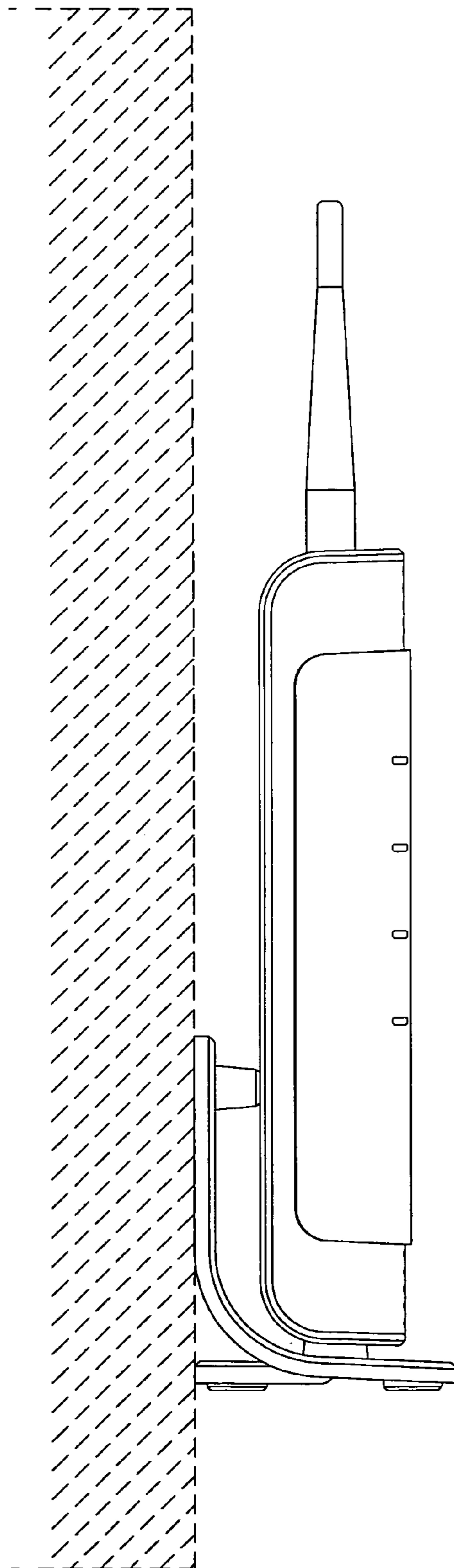


FIG. 9

