



US00D580421S

(12) **United States Design Patent**
Sculler et al.

(10) **Patent No.:** **US D580,421 S**
(45) **Date of Patent:** **** Nov. 11, 2008**

(54) **FLAT PANEL DISPLAY MOUNT**

6,559,829 B1 5/2003 Matsuo et al.
6,575,419 B1 6/2003 Masuda et al.

(75) Inventors: **Steven J. Sculler**, Morganville, NJ (US);
Michael P. Zambelli, Basking Ridge, NJ
(US); **In-Young Jang**, Ridgefield, NJ
(US); **Jimmy An**, South Plainfield, NJ
(US)

(Continued)

(73) Assignee: **Bell'O International Corp.**,
Morganville, NJ (US)

Primary Examiner—Raphael Barkai
Assistant Examiner—Randall H Gholson
(74) *Attorney, Agent, or Firm*—Lerner, David, Littenberg,
Krumholz & Mentlik, LLP

(**) Term: **14 Years**

(21) Appl. No.: **29/270,799**

(57) **CLAIM**

(22) Filed: **Jan. 3, 2007**

The ornamental design for flat panel display mount, as shown
and described.

(51) **LOC (8) Cl.** **14-03**

(52) **U.S. Cl.** **D14/239**

(58) **Field of Classification Search** D14/239,
D14/451-454, 224, 316, 375-377, 432, 439,
D14/447, 448, 455, 457, 469; D8/363, 373,
D8/349, 394; 248/126, 279.1, 514, 291.1,
248/125.1, 121, 124.1, 125.7, 278.1, 276.1,
248/415, 284.1, 286.1, 281.11, 292.11, 181.2,
248/917-921, 127, 128, 133, 178.1, 183.1,
248/183.2, 346.01, 346.03, 349.1, 371, 473,
248/474, 512; 348/825, 827, 836, 837; 600/443
See application file for complete search history.

DESCRIPTION

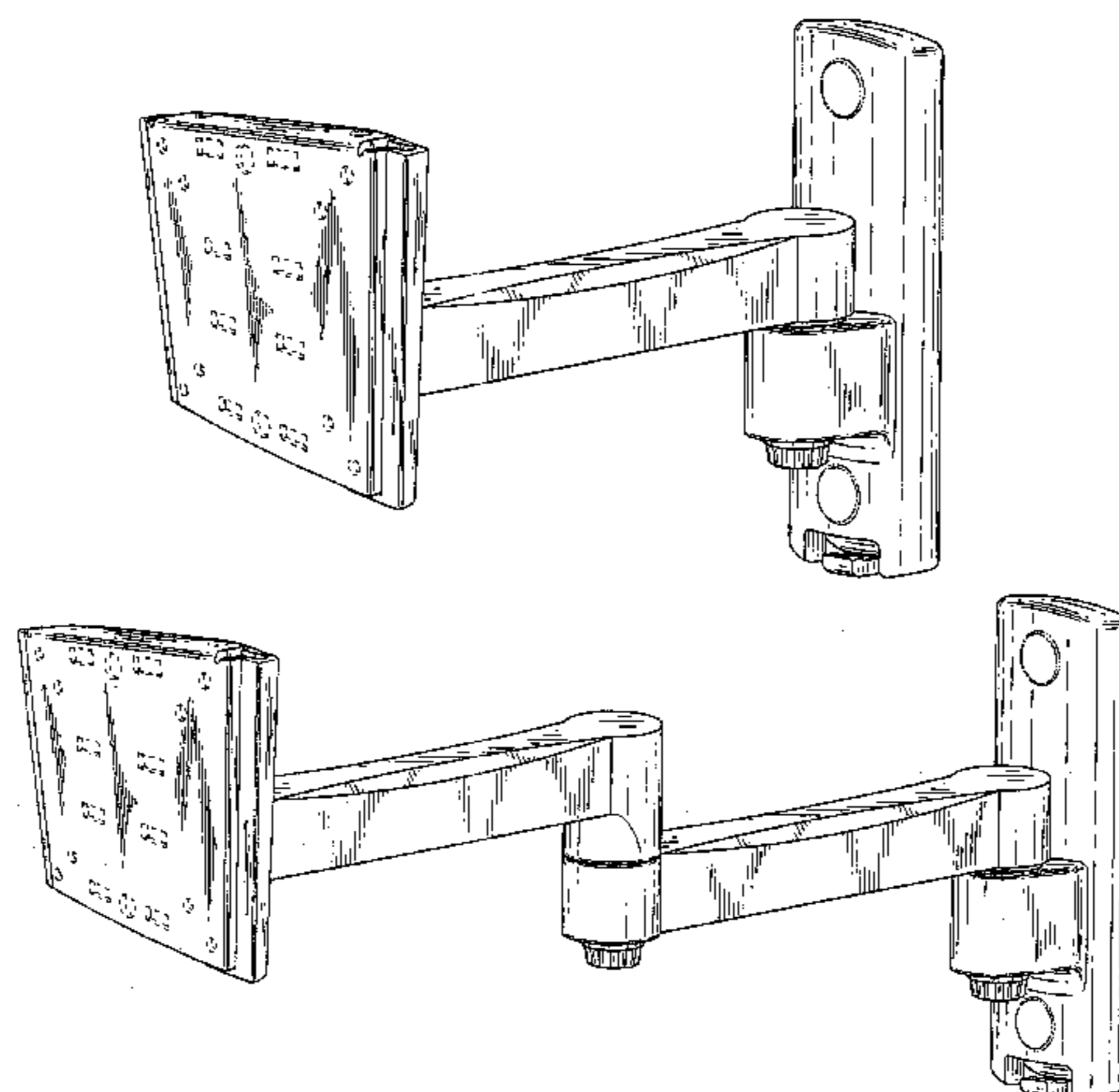
(56) **References Cited**

U.S. PATENT DOCUMENTS

4,814,759	A	3/1989	Gombrich et al.
5,321,579	A	6/1994	Brown et al.
5,743,503	A	4/1998	Voeller et al.
5,842,672	A	12/1998	Sweere et al.
5,924,665	A	7/1999	Sweere et al.
5,992,809	A	11/1999	Sweere et al.
6,019,332	A	2/2000	Sweere et al.
6,102,348	A	8/2000	O'Neill
6,367,756	B1	4/2002	Wang et al.
6,402,109	B1	6/2002	Dittmer
6,419,196	B1	7/2002	Sweere et al.
6,543,734	B2	4/2003	Yeh et al.
6,554,242	B2	4/2003	Kim et al.

FIG. 1 is a front perspective view of the subject flat panel display mount;
FIG. 2 is a rear elevational view thereof;
FIG. 3 is a left side view thereof;
FIG. 4 is a right side view thereof;
FIG. 5 is a top plan view thereof;
FIG. 6 is a bottom plan view thereof;
FIG. 7 is a front perspective view of a second embodiment of the subject flat panel display mount;
FIG. 8 is a rear elevational view of a second embodiment thereof;
FIG. 9 is a left side view of a second embodiment thereof;
FIG. 10 is a right side view of a second embodiment thereof;
FIG. 11 is a top plan view of a second embodiment thereof;
and,
FIG. 12 is a bottom plan view of a second embodiment thereof.

1 Claim, 12 Drawing Sheets



US D580,421 S

Page 2

U.S. PATENT DOCUMENTS						
			2002/0179791	A1	12/2002	Kwon
			2002/0179801	A1	12/2002	Kim
6,585,203	B1	7/2003	Euker			
6,604,722	B1	8/2003	Tan et al.			
D488,708	S *	4/2004	Lam et al.	D8/363		
6,752,363	B2	6/2004	Boele et al.			
D493,800	S	8/2004	Pfister et al.			
D494,596	S	8/2004	Pfister			
D494,978	S	8/2004	Pfister			
6,783,105	B2	8/2004	Oddsens, Jr.			
D495,713	S	9/2004	Pfister et al.			
D496,367	S *	9/2004	Pfister	D14/451		
6,886,701	B2	5/2005	Hong et al.			
6,905,101	B1	6/2005	Dittmer			
D507,477	S *	7/2005	Pfister	D8/363		
6,915,996	B2	7/2005	Lin et al.			
6,923,413	B2	8/2005	Dozier			
6,964,399	B1	11/2005	O'Neill			
7,000,878	B2	2/2006	Lin et al.			
D517,085	S	3/2006	Deuschle			
D520,017	S	5/2006	van Kuijk et al.			
D558,560	S *	1/2008	Ciungan et al.	D8/363		
D559,087	S *	1/2008	Ciungan et al.	D8/363		
D562,113	S *	2/2008	Ciungan et al.	D8/363		
D563,398	S *	3/2008	Wohlford et al.	D14/239		
D563,774	S *	3/2008	Wohlford et al.	D8/363		
2002/0033436	A1	3/2002	Peng et al.			
			2003/0132356	A1	7/2003	Copeland
			2003/0136888	A1	7/2003	Boele
			2003/0154673	A1	8/2003	MacGregor et al.
			2003/0201372	A1	10/2003	Dozier
			2004/0159757	A1	8/2004	Pfister
			2004/0211870	A1	10/2004	Bremmon et al.
			2004/0232298	A1	11/2004	Bremmon et al.
			2004/0245420	A1	12/2004	Pfister et al.
			2004/0251388	A1	12/2004	Williams
			2004/0262474	A1	12/2004	Boks et al.
			2005/0061937	A1	3/2005	Kim
			2005/0092873	A1	5/2005	Lin
			2005/0092890	A1	5/2005	Liao
			2005/0121577	A1	6/2005	Oddsens et al.
			2005/0127261	A1	6/2005	Lin
			2005/0133678	A1	6/2005	Dittmer
			2005/0152102	A1	7/2005	Shin
			2005/0236542	A1	10/2005	O'Neill
			2005/0236543	A1	10/2005	O'Neil
			2005/0242254	A1	11/2005	Dozier
			2005/0253035	A1	11/2005	Dozier
			2005/0263659	A1	12/2005	Pfister et al.
			2005/0263671	A1	12/2005	Lo
			2005/0274858	A1	12/2005	Fedewa

* cited by examiner

FIG. 1

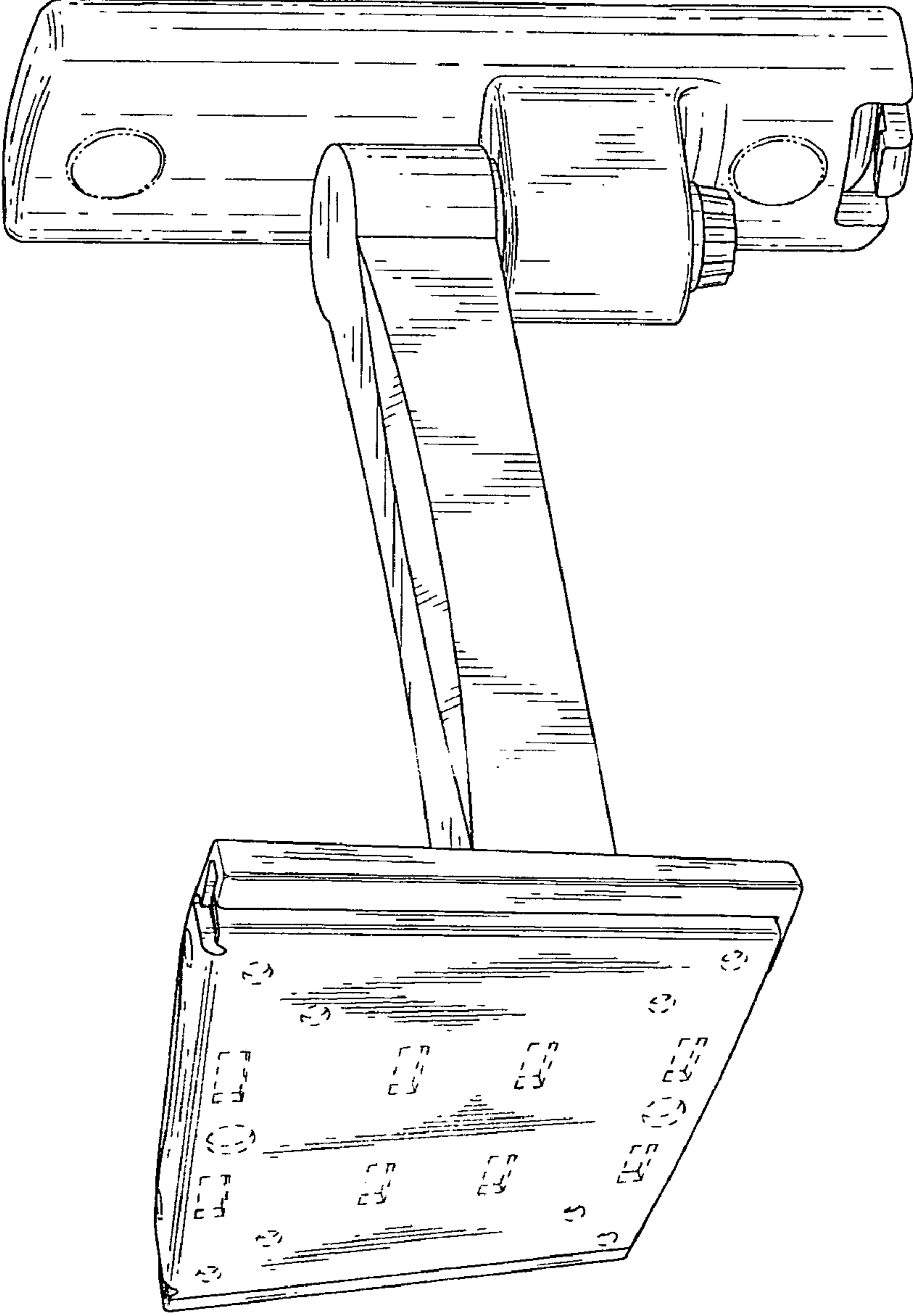


FIG. 2

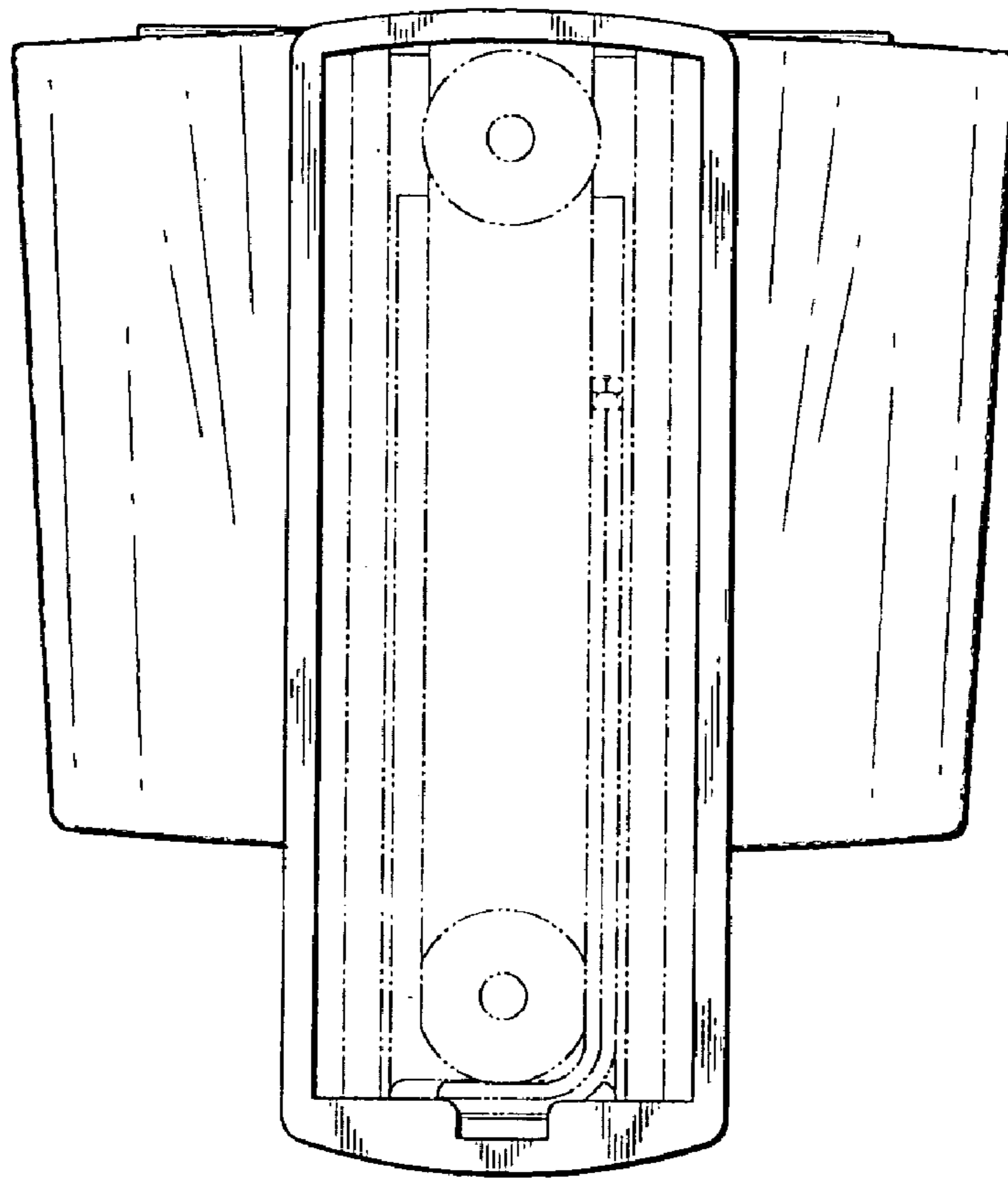


FIG. 3

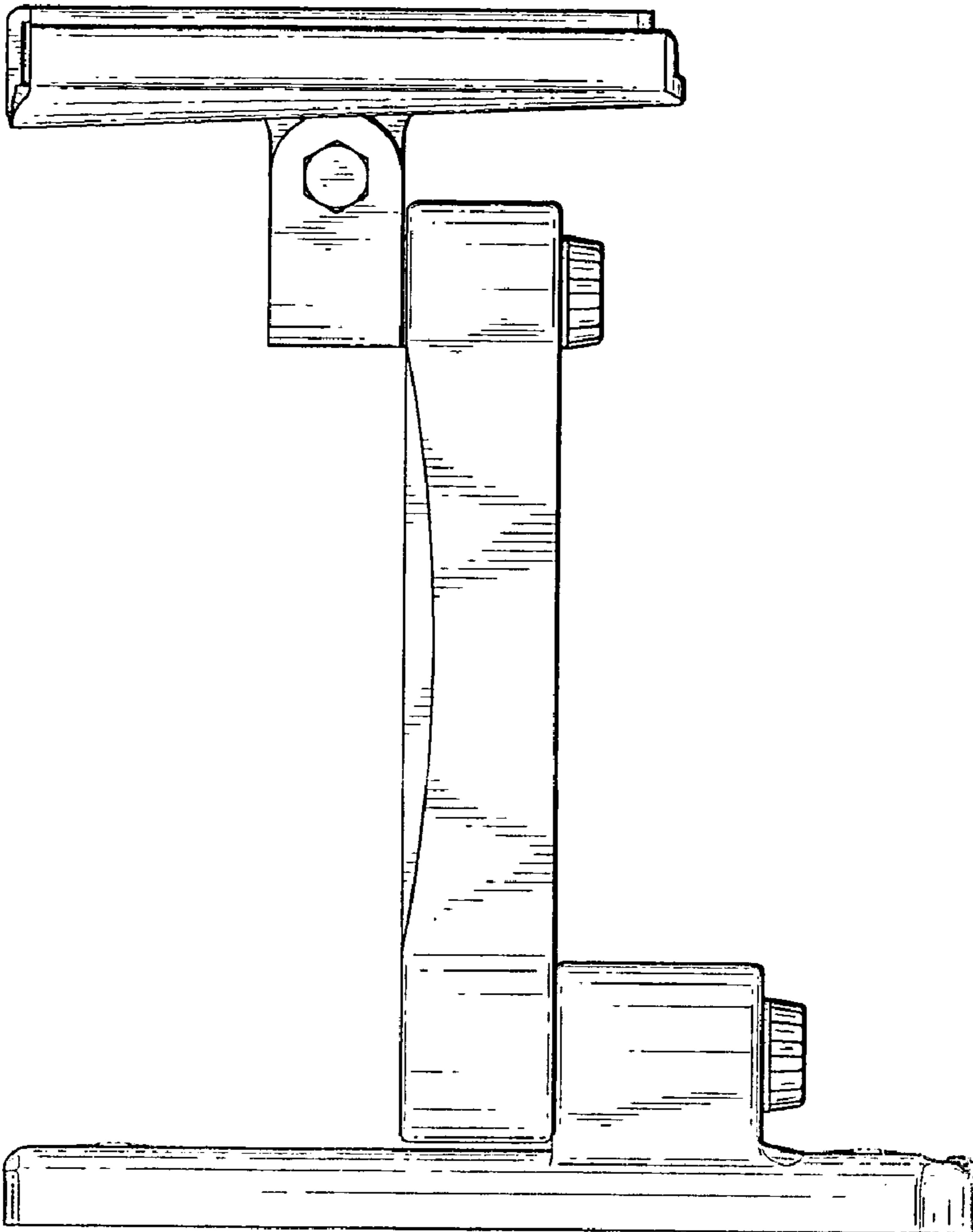
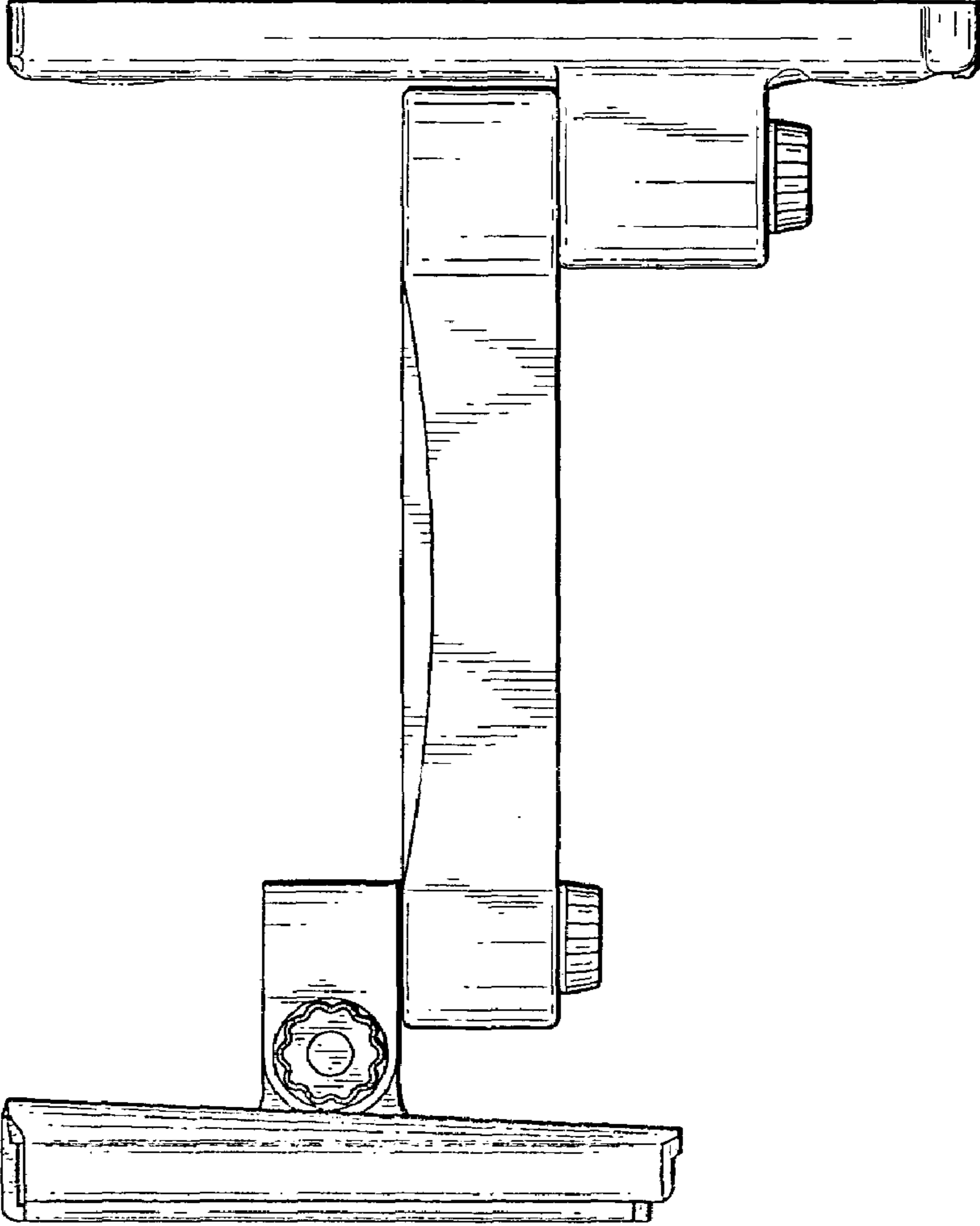


FIG. 4



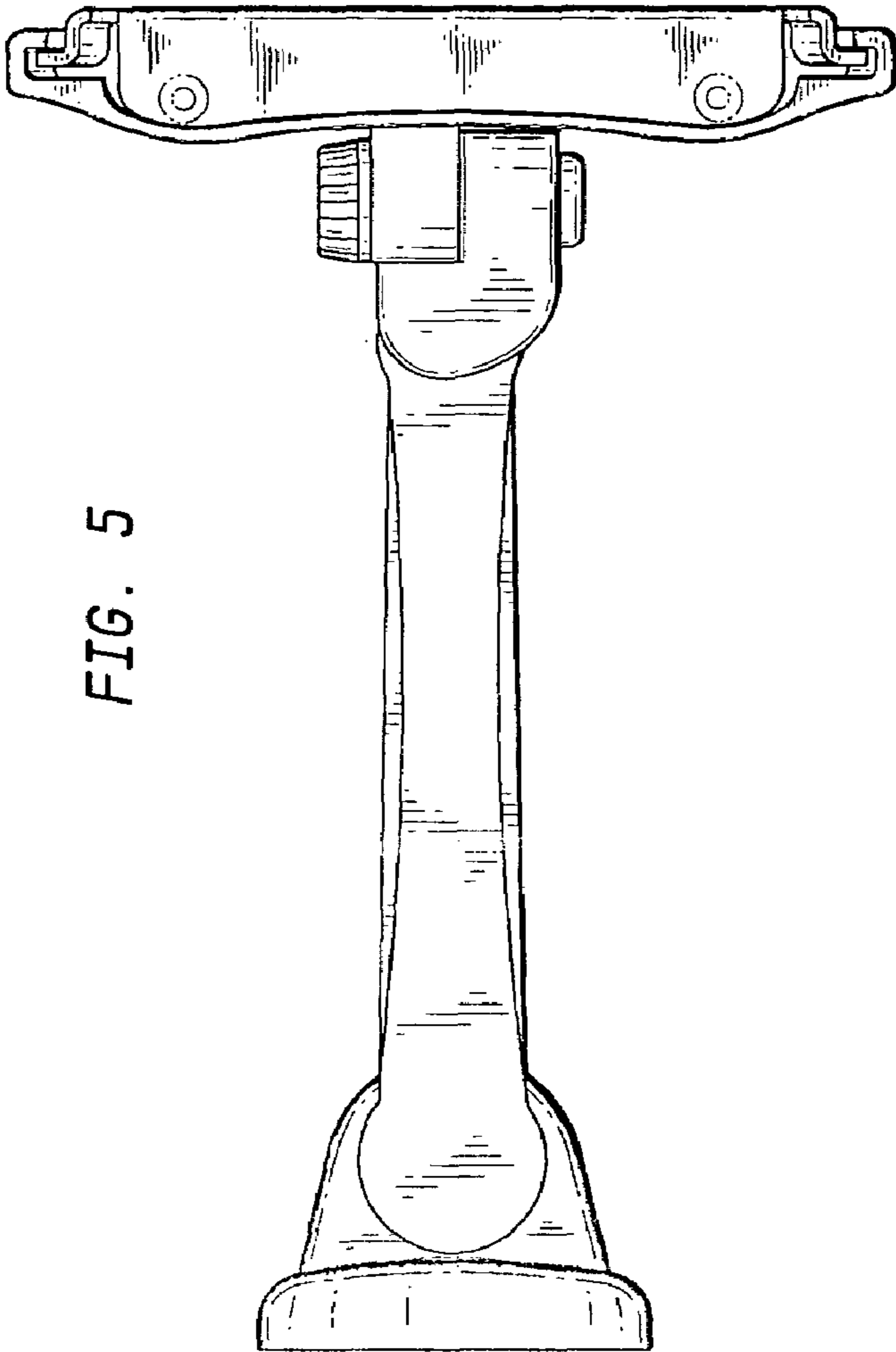


FIG. 5

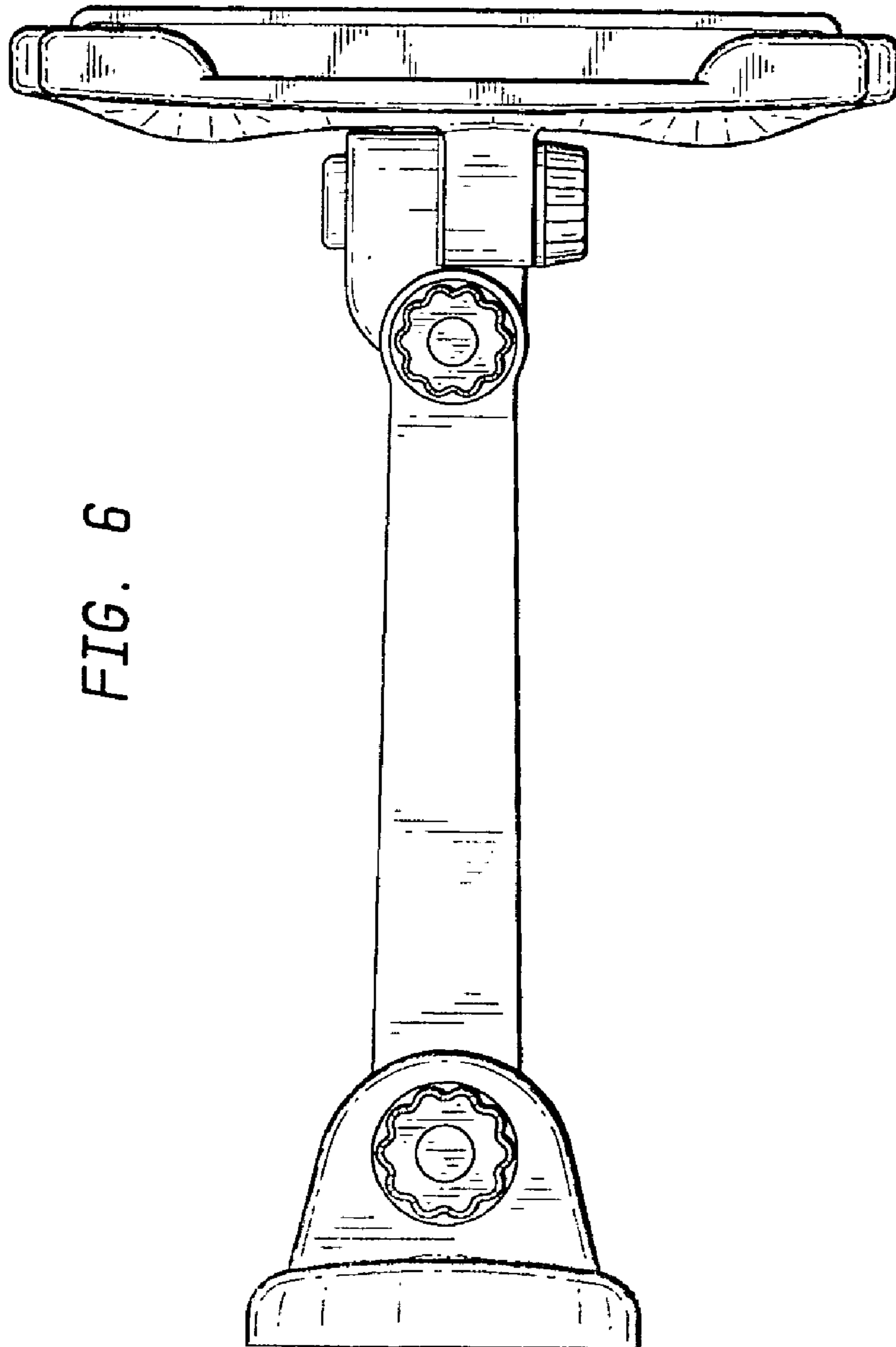


FIG. 6

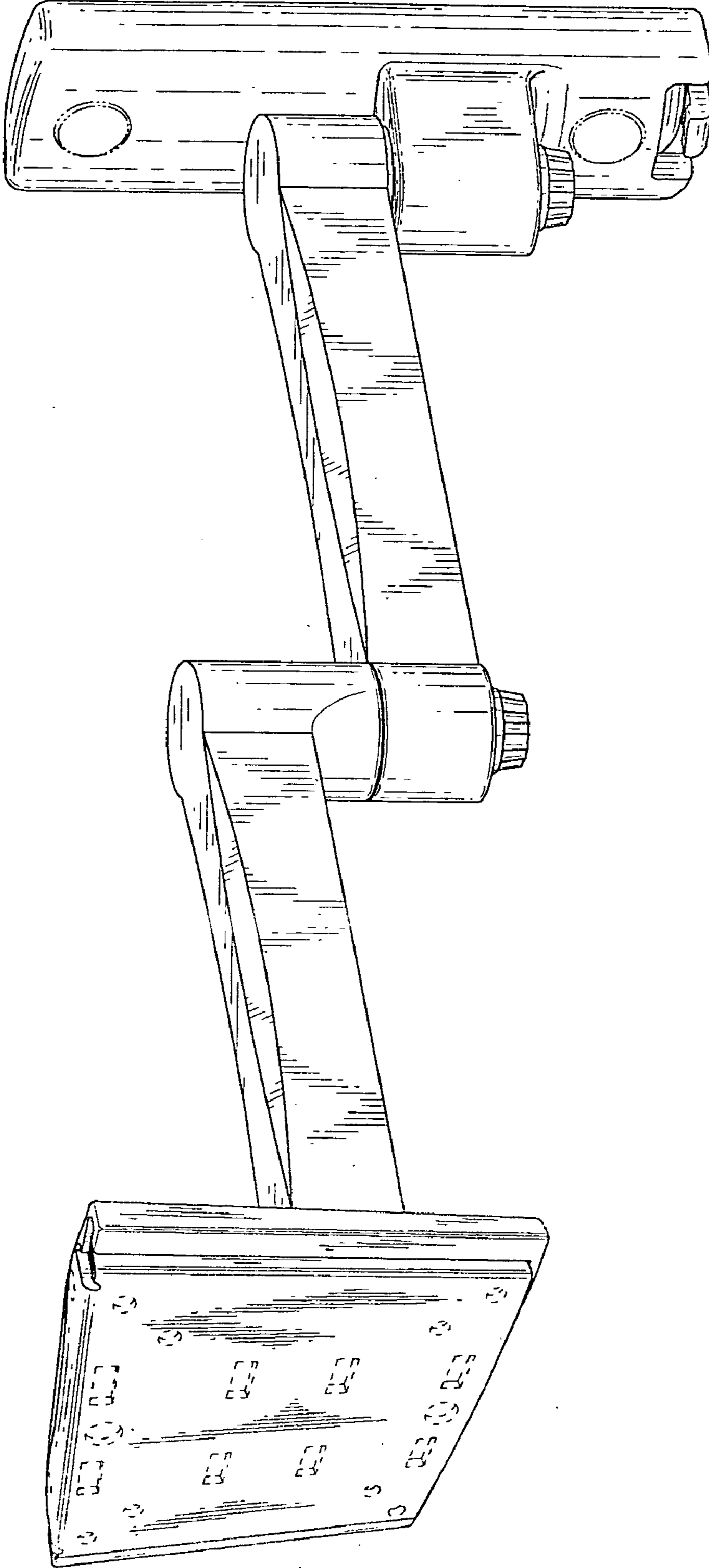
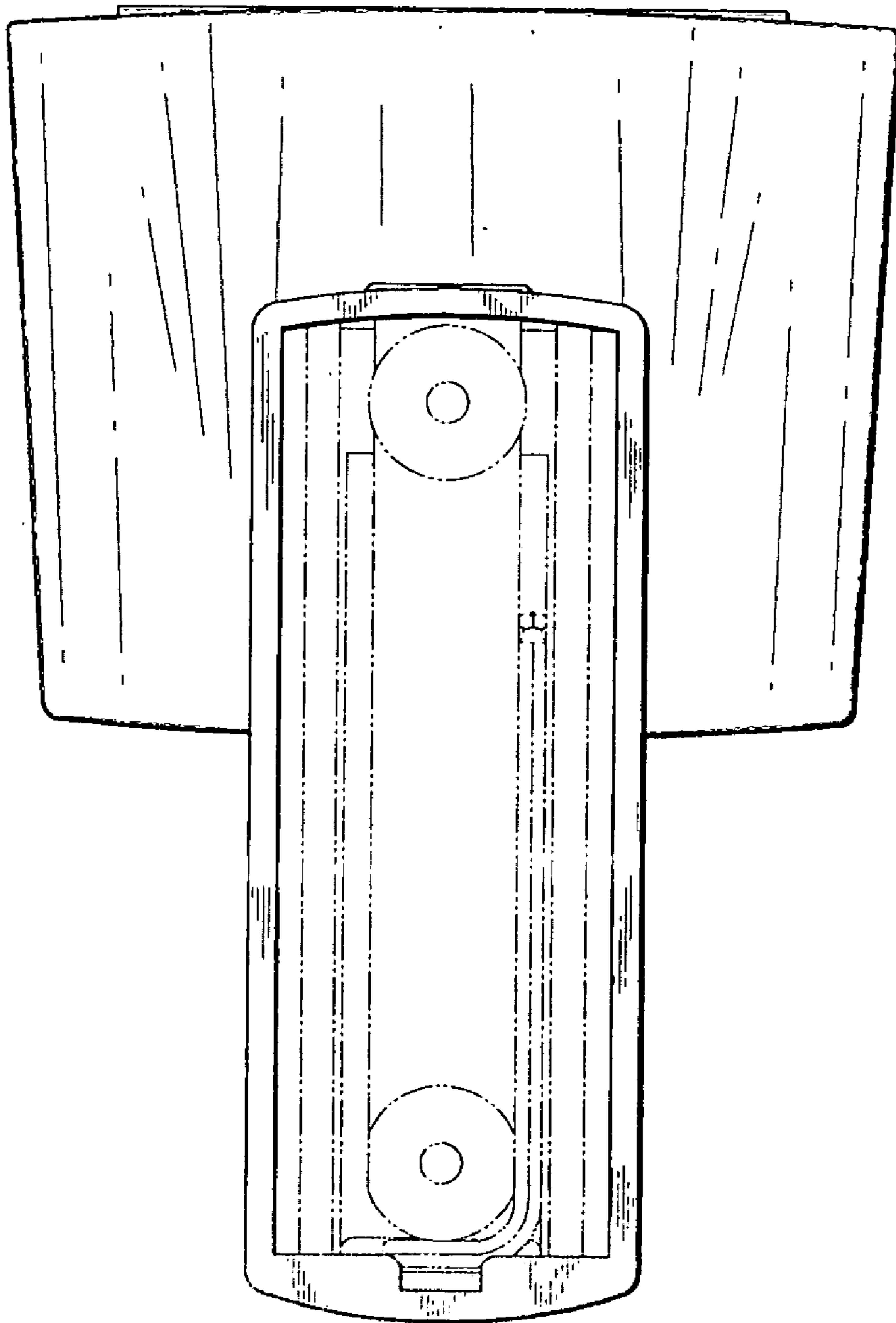


FIG. 7

FIG. 8



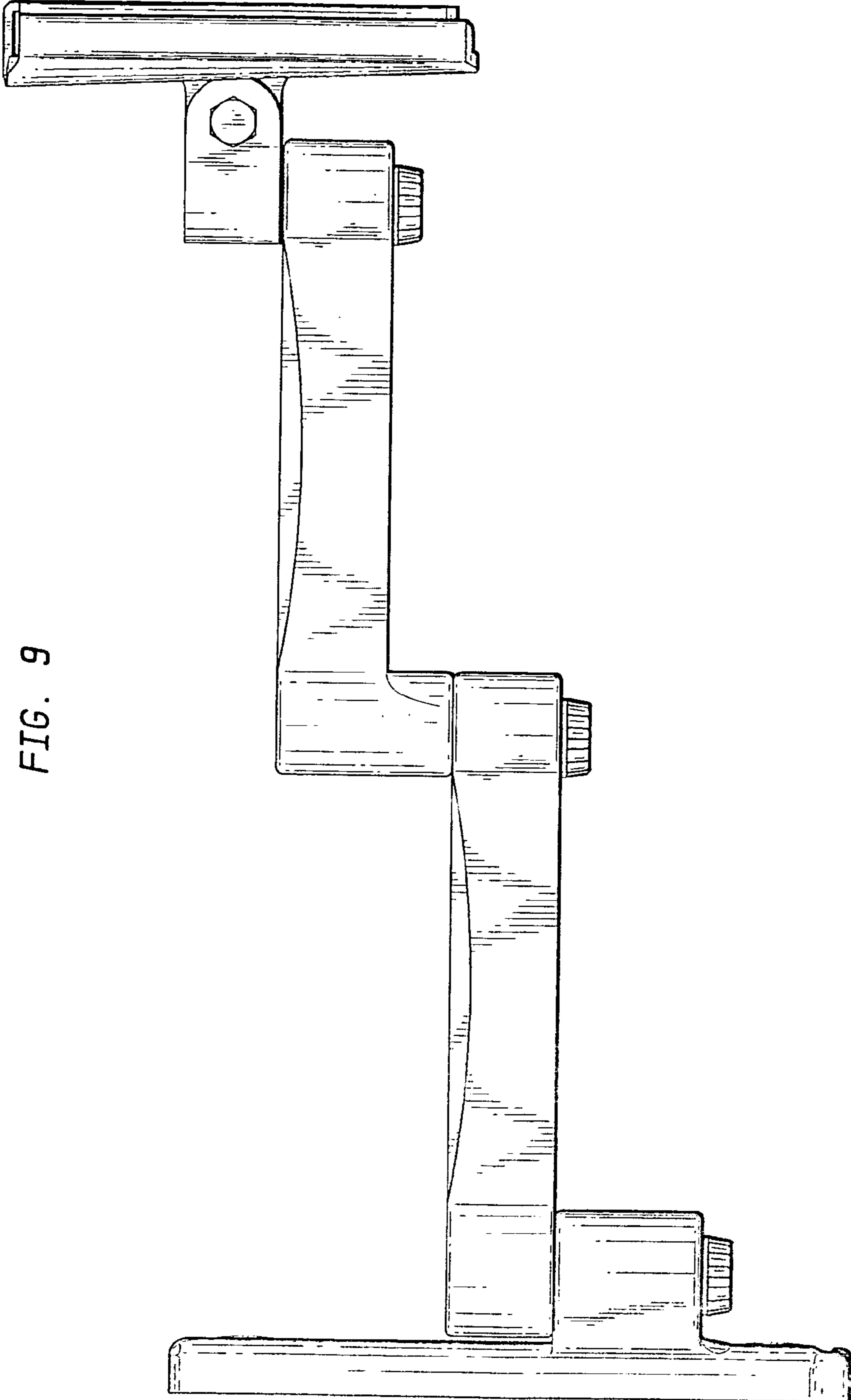
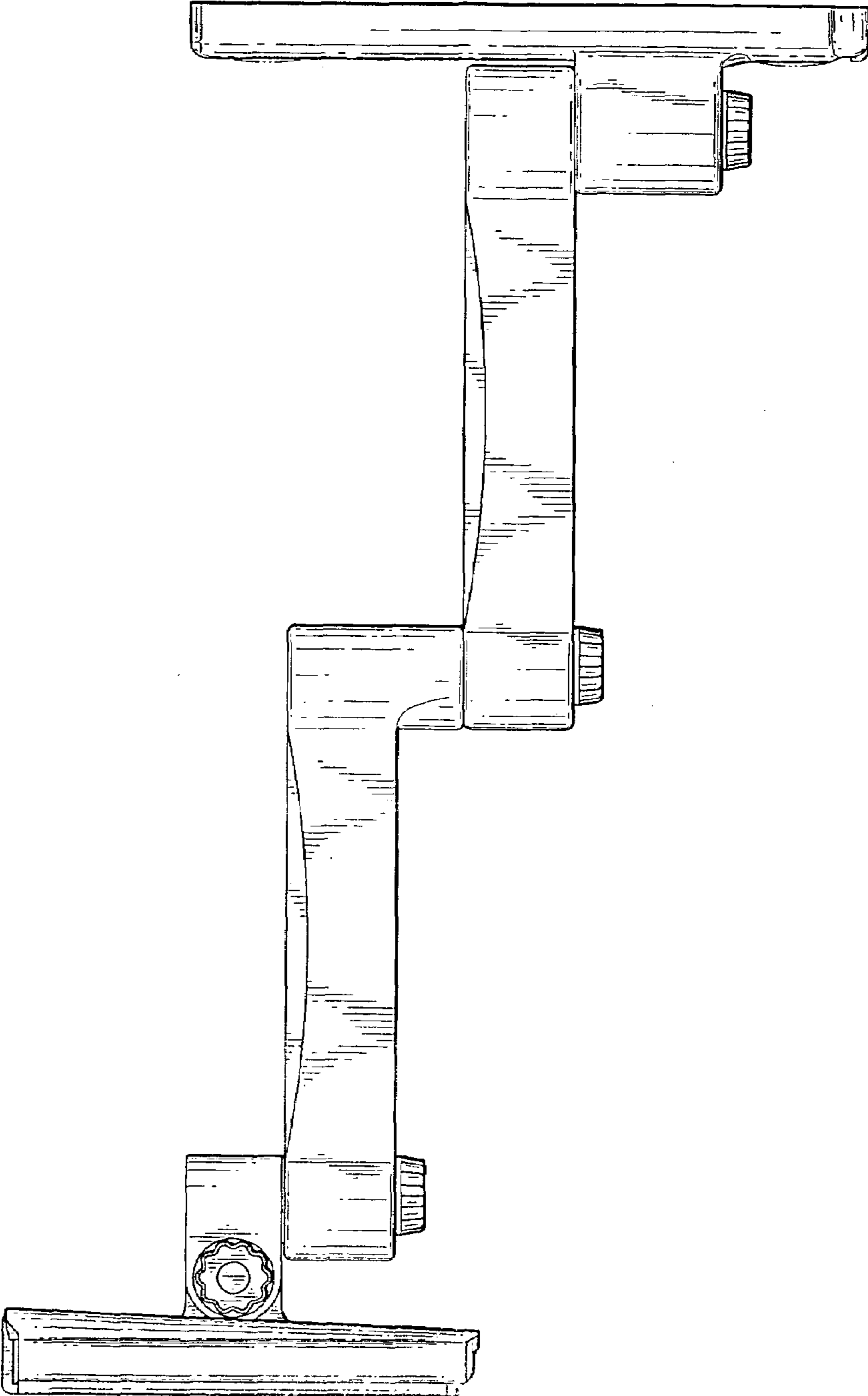


FIG. 9

FIG. 10



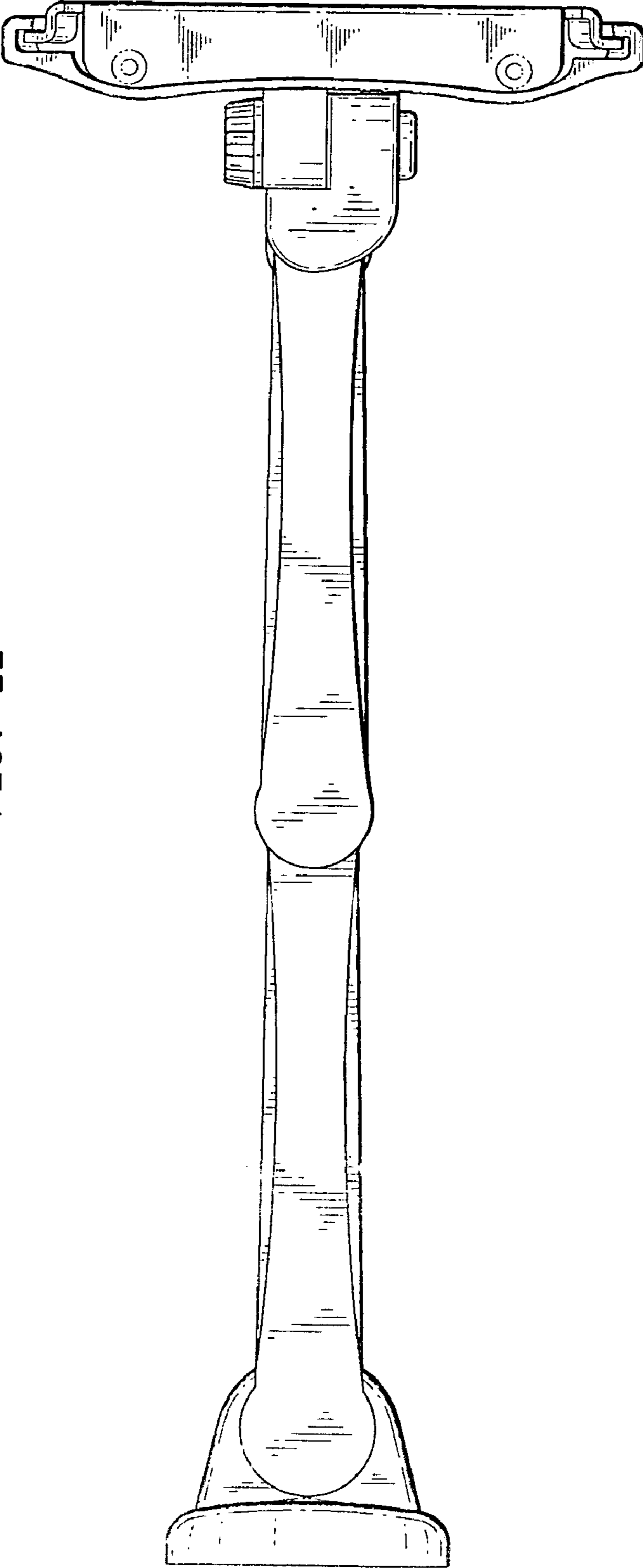


FIG. 11

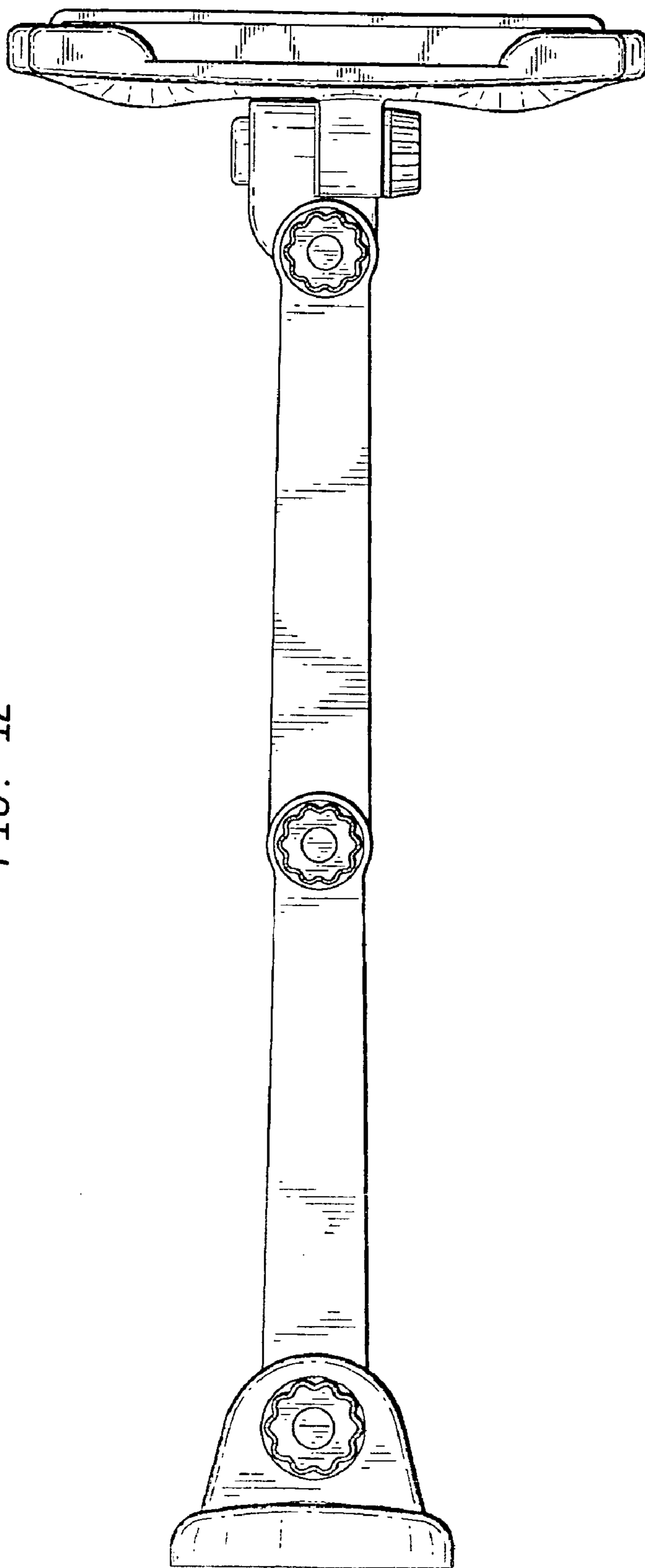


FIG. 12