



US00D580418S

(12) **United States Design Patent**
Yang et al.

(10) **Patent No.:** **US D580,418 S**
(45) **Date of Patent:** **** Nov. 11, 2008**

(54) **ANTENNA**

(75) Inventors: **Wen Chieh Yang**, Tu-Cheng (TW); **Yu Yuan Wu**, Tu-Cheng (TW); **Kai Shih**, Tu-Cheng (TW); **Hsin Tsung Wu**, Tu-Cheng (TW)

(73) Assignee: **Cheng Uei Precision Industry Co., Ltd.**, Taipei Hsien (TW)

(**) Term: **14 Years**

(21) Appl. No.: **29/300,347**

(22) Filed: **Mar. 17, 2008**

(51) **LOC (8) Cl.** **14-03**

(52) **U.S. Cl.** **D14/230; D14/358**

(58) **Field of Classification Search** D14/230-238,
D14/299, 358; 343/700 R, 840, 841, 908;
455/3.02, FOR. 215, 575.2

See application file for complete search history.

(56) **References Cited**

U.S. PATENT DOCUMENTS

- 6,476,769 B1 * 11/2002 Lehtola 343/702
- D531,622 S * 11/2006 Chen et al. D14/230
- D534,527 S * 1/2007 Hung et al. D14/230

- D534,903 S * 1/2007 Hung et al. D14/230
- D554,111 S * 10/2007 Su et al. D14/230
- D555,154 S * 11/2007 Lin et al. D14/230
- D555,155 S * 11/2007 Su et al. D14/230
- 2008/0030407 A1 * 2/2008 Hung et al. 343/700 MS

* cited by examiner

Primary Examiner—Robert M. Spear

Assistant Examiner—John Windmuller

(74) *Attorney, Agent, or Firm*—Rosenberg, Klein & Lee

(57) **CLAIM**

The ornamental design for an antenna, as shown and described.

DESCRIPTION

FIG. 1 is a perspective view of an antenna showing our new design;

FIG. 2 is a front elevational view thereof;

FIG. 3 is a rear elevational view thereof;

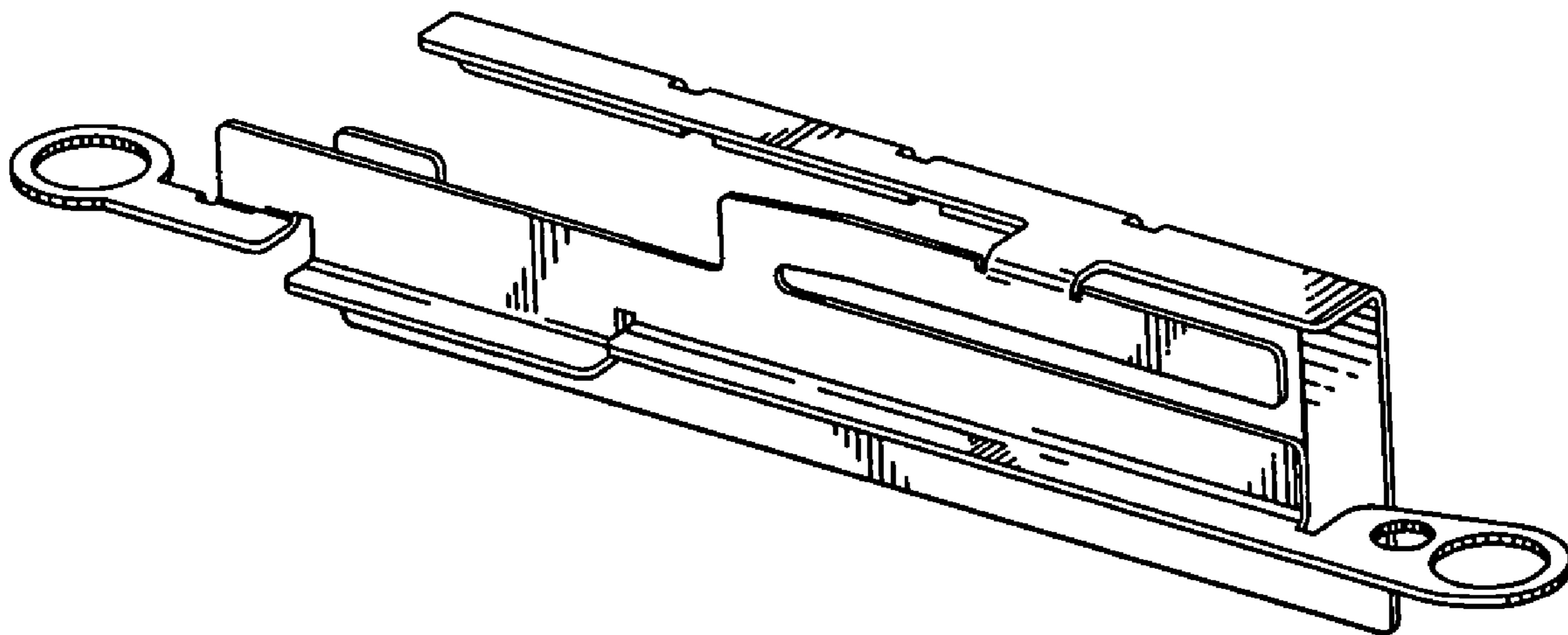
FIG. 4 is a left side elevational view thereof;

FIG. 5 is a right side elevational view thereof;

FIG. 6 is a top plan view thereof; and,

FIG. 7 is a bottom plan view thereof.

1 Claim, 7 Drawing Sheets



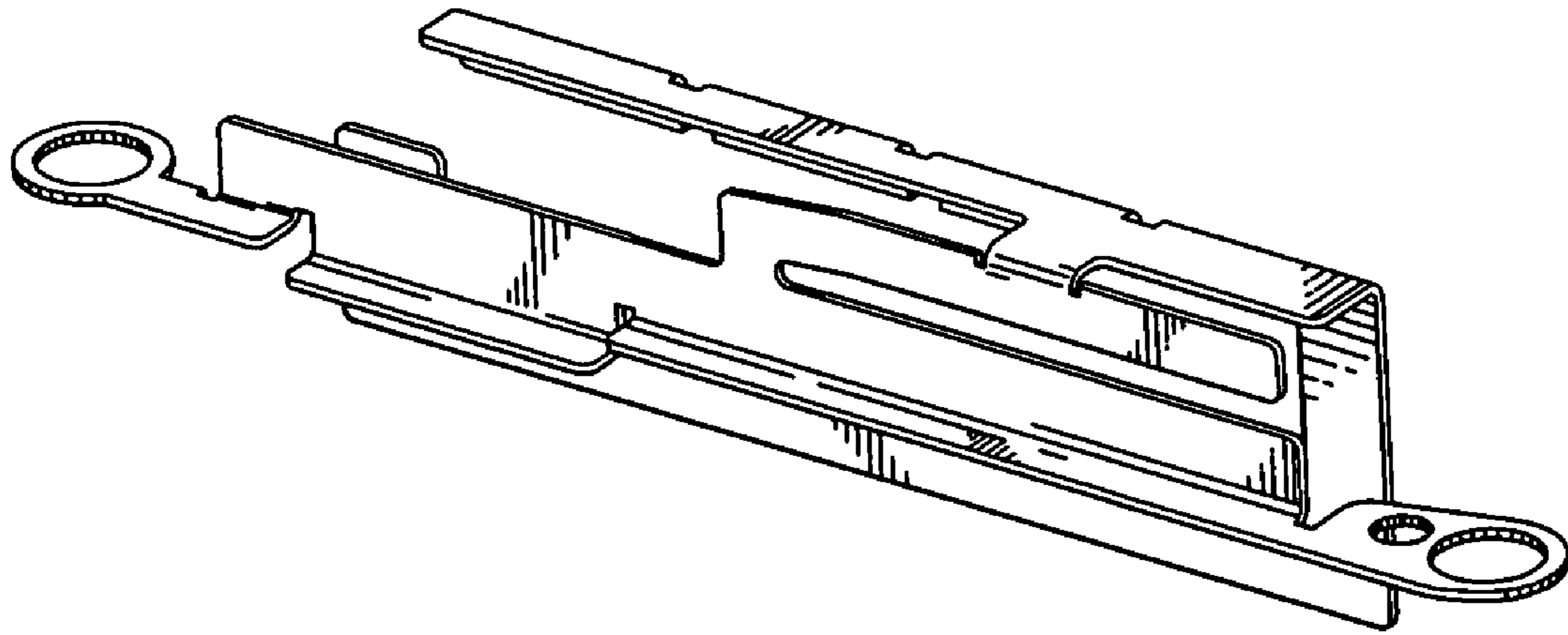


FIG. 1

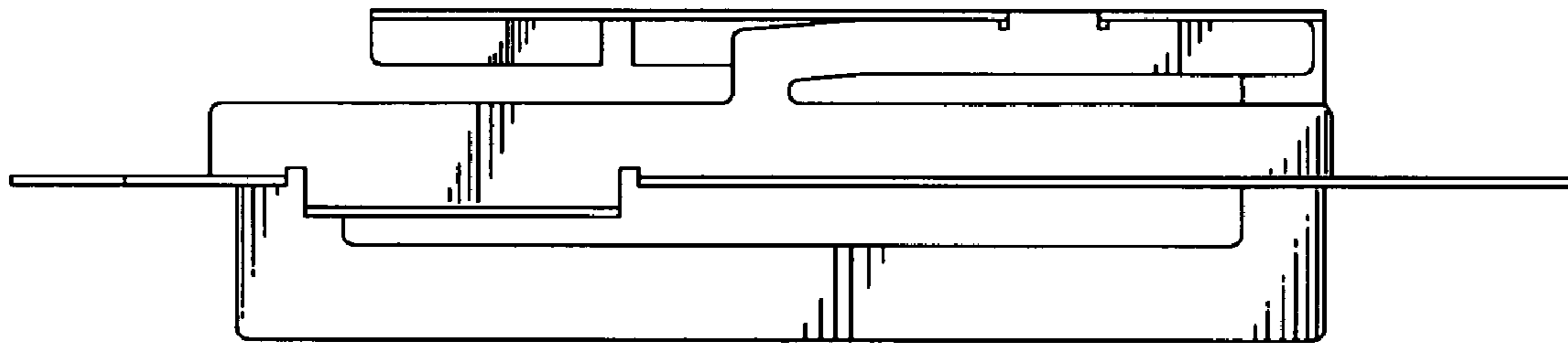


FIG. 2

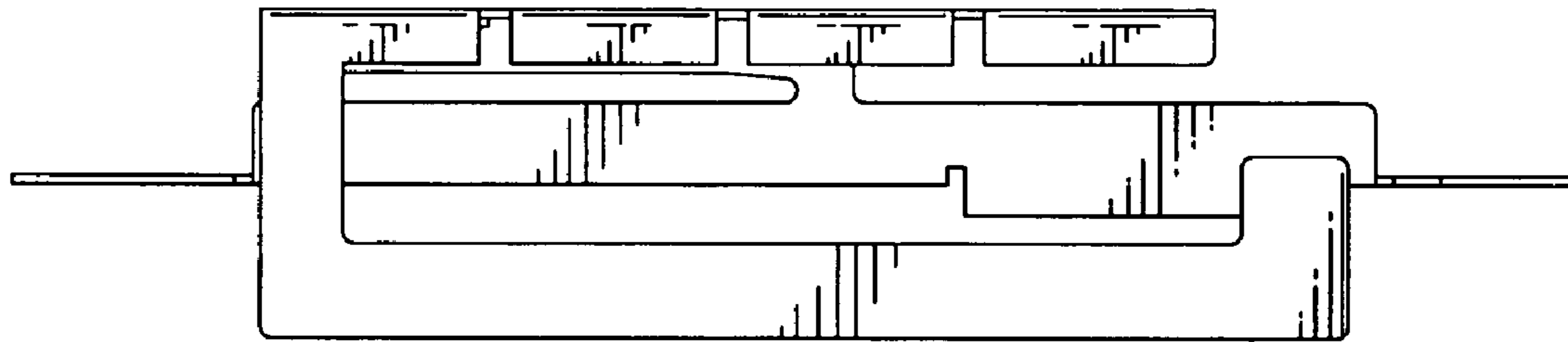


FIG. 3

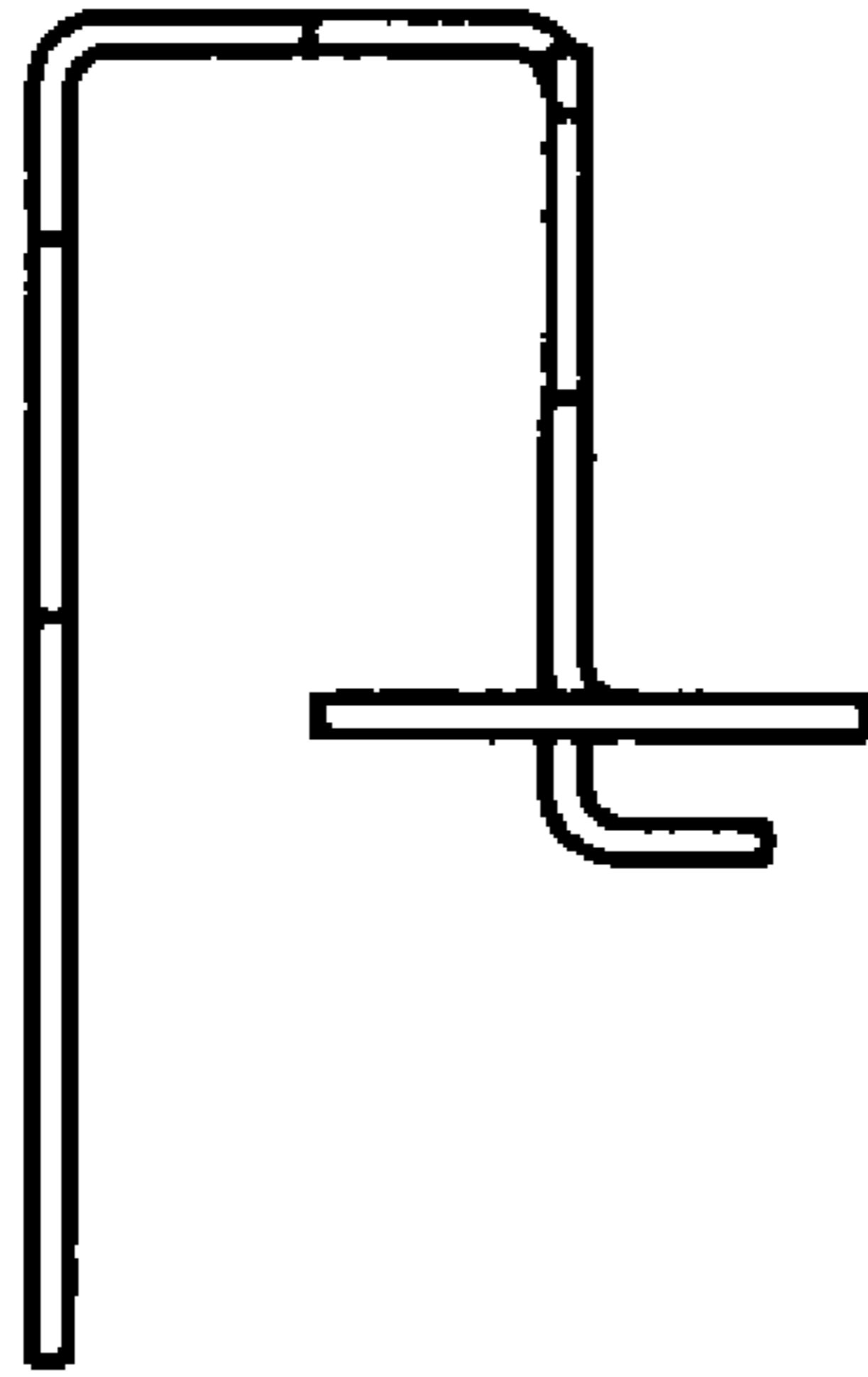


FIG. 4

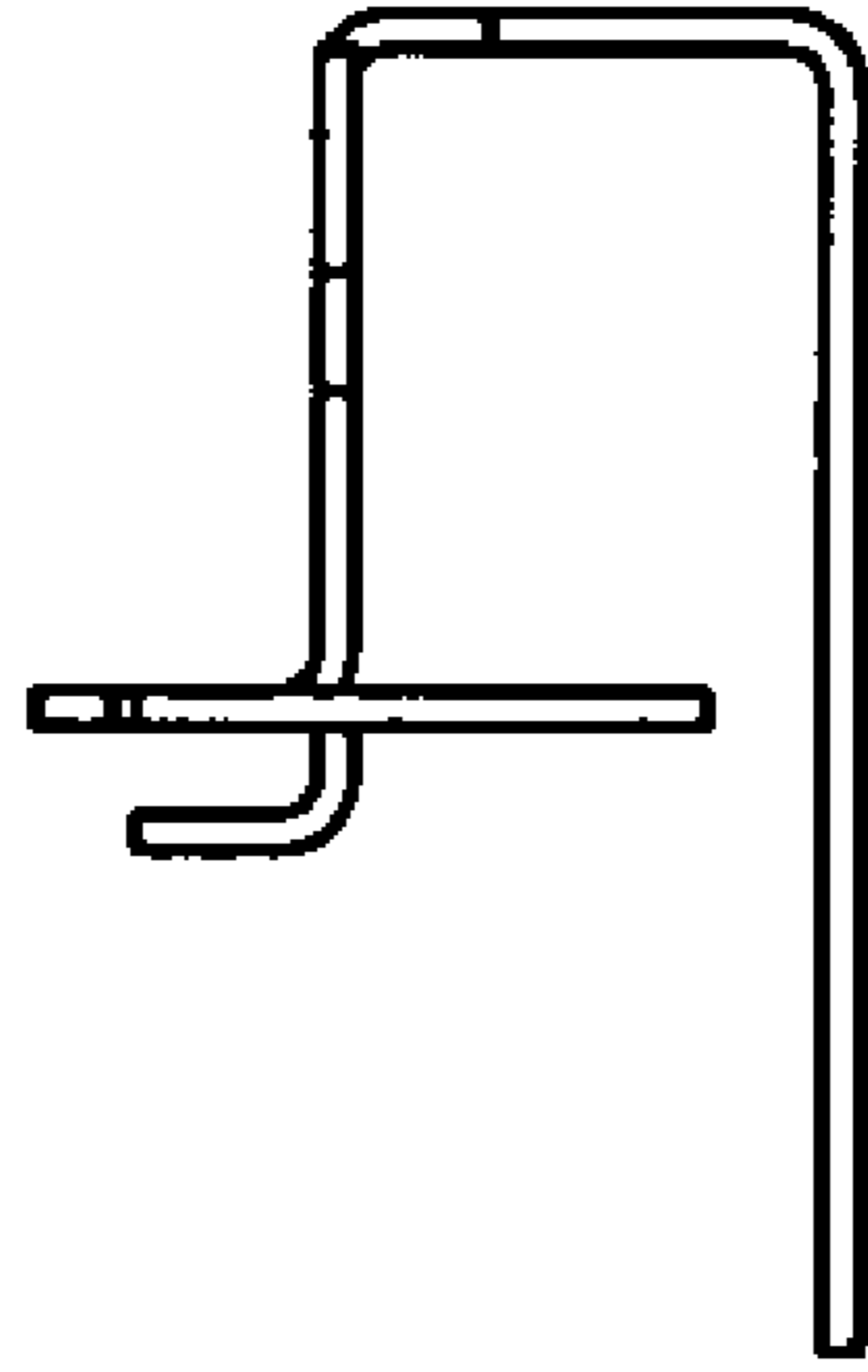


FIG. 5

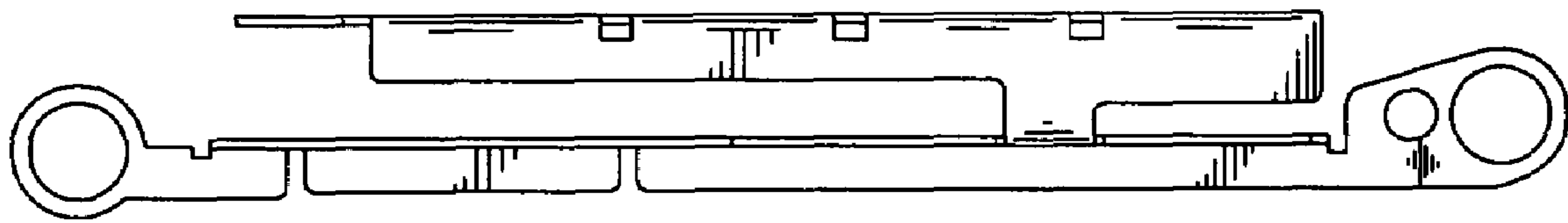


FIG. 6

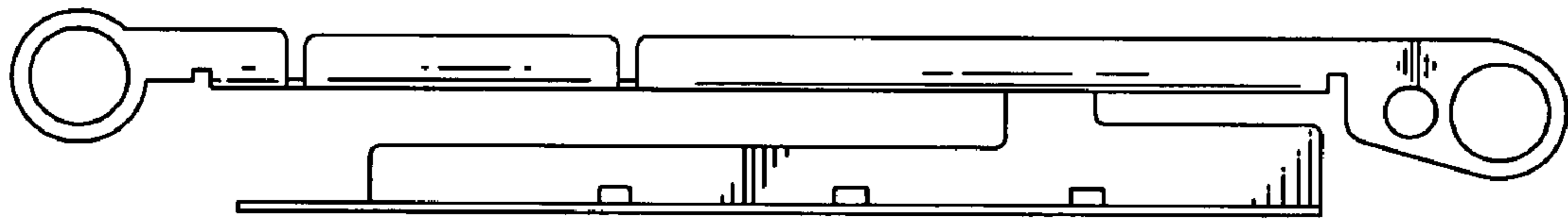


FIG. 7