



US00D580416S

(12) **United States Design Patent**
Shinkawa et al.

(10) **Patent No.:** **US D580,416 S**

(45) **Date of Patent:** **** Nov. 11, 2008**

(54) **ANTENNA**

(75) Inventors: **Tomohiro Shinkawa**, Akita (JP);
Kazunari Saito, Akita (JP); **Junichi**
Noro, Akita (JP)

(73) Assignee: **Mitsumi Electric Co., Ltd**, Tokyo (JP)

(**) Term: **14 Years**

(21) Appl. No.: **29/273,796**

(22) Filed: **Mar. 14, 2007**

(30) **Foreign Application Priority Data**

Sep. 15, 2006 (JP) 2006-024814

(51) **LOC (8) Cl.** **14-03**

(52) **U.S. Cl.** **D14/230**

(58) **Field of Classification Search** D14/138,
D14/230-238, 299, 358; D12/42, 43; 343/700 MS,
343/700 R-705, 711-713, 741, 748, 767,
343/795, 819, 840, 846, 866, 871-908; 455/90.2,
455/90.3, 91, 128, 269, 344, 347, 562.1
See application file for complete search history.

(56) **References Cited**

U.S. PATENT DOCUMENTS

D492,671 S * 7/2004 Shibano et al. D14/230
D515,075 S * 2/2006 Kusanagi et al. D14/230
D515,076 S * 2/2006 Kusanagi et al. D14/230

D531,172 S * 10/2006 Noro et al. D14/230
D531,173 S * 10/2006 Aizawa et al. D14/230
D531,995 S * 11/2006 Shinkawa et al. D14/230
2008/0079637 A1 * 4/2008 Okamura et al. 343/700 MS
2008/0117107 A1 * 5/2008 Wan 343/700 MS

* cited by examiner

Primary Examiner—Robert M. Spear

Assistant Examiner—John Windmuller

(74) *Attorney, Agent, or Firm*—Sughrue Mion, PLLC

(57) **CLAIM**

The ornamental design for an antenna, as shown and described.

DESCRIPTION

FIG. 1 is a perspective view of the top, front and right side of an antenna showing our new design:

FIG. 2 is a front elevational view thereof;

FIG. 3 is a rear elevational view thereof;

FIG. 4 is a right side elevational view thereof;

FIG. 5 is a left side elevational view thereof;

FIG. 6 is a top plan view thereof; and,

FIG. 7 is a bottom plan view thereof.

The portions shown in broken lines are for illustrative purposes only and form no part of the claimed design.

1 Claim, 4 Drawing Sheets

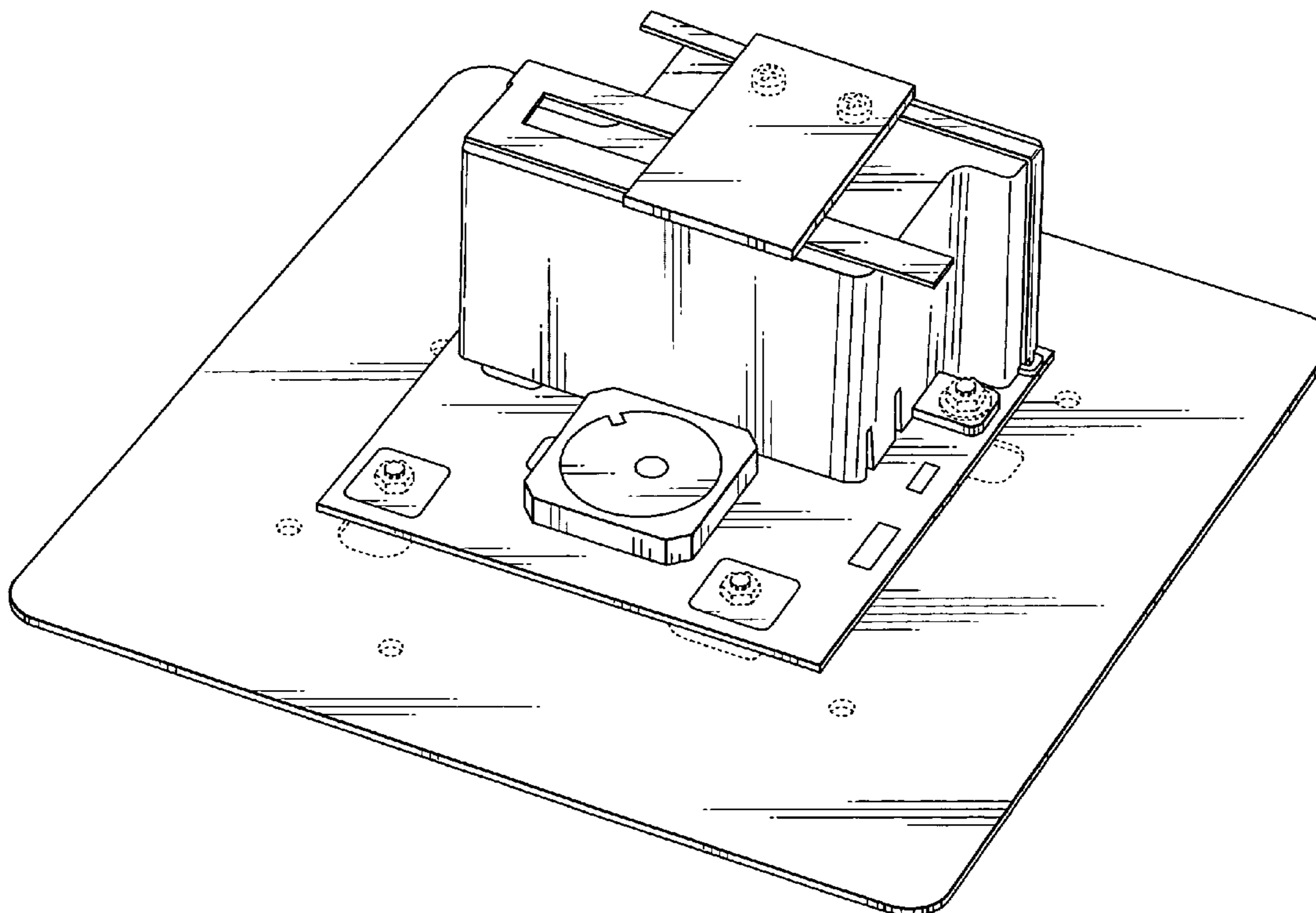


FIG.1

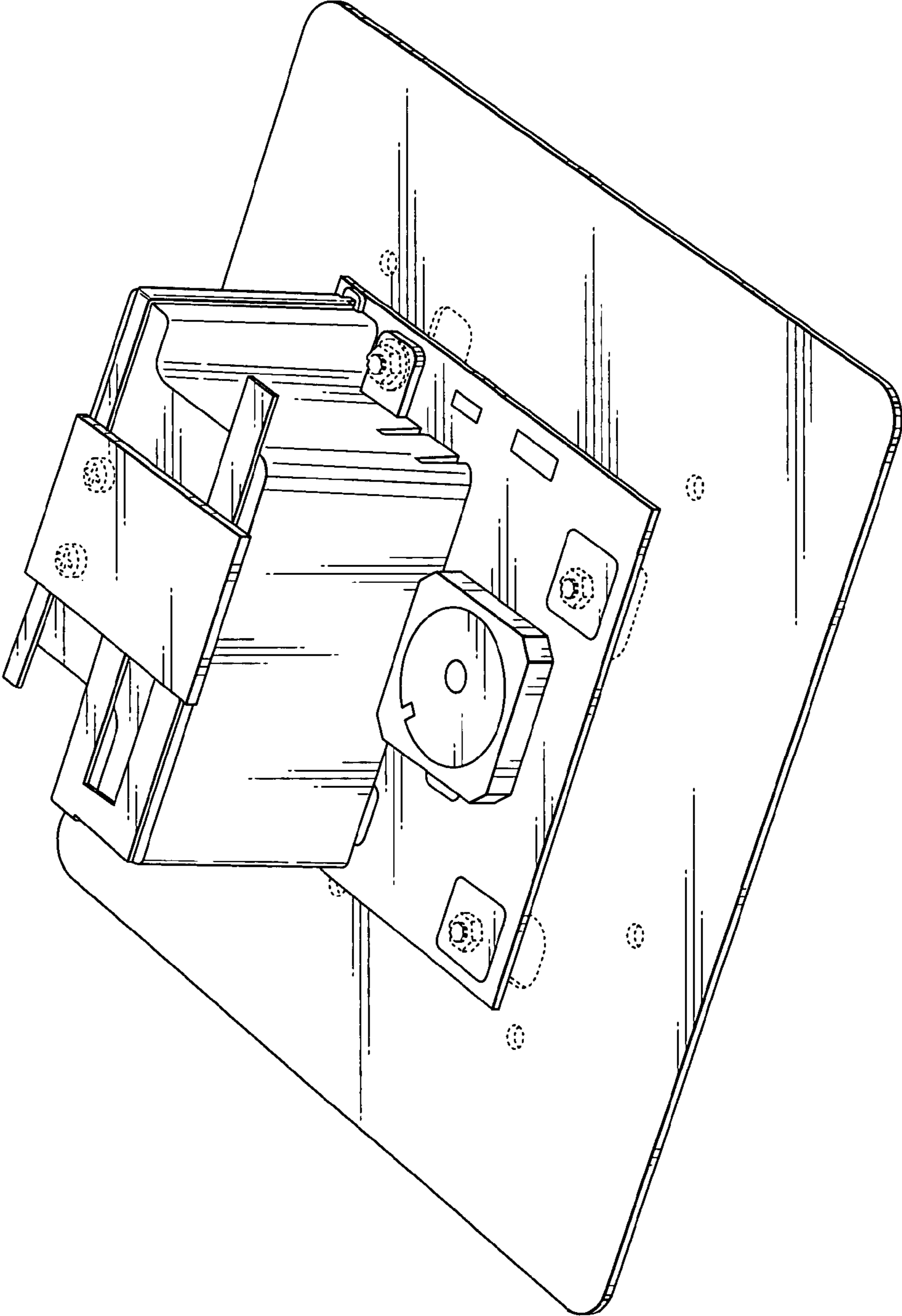


FIG.2

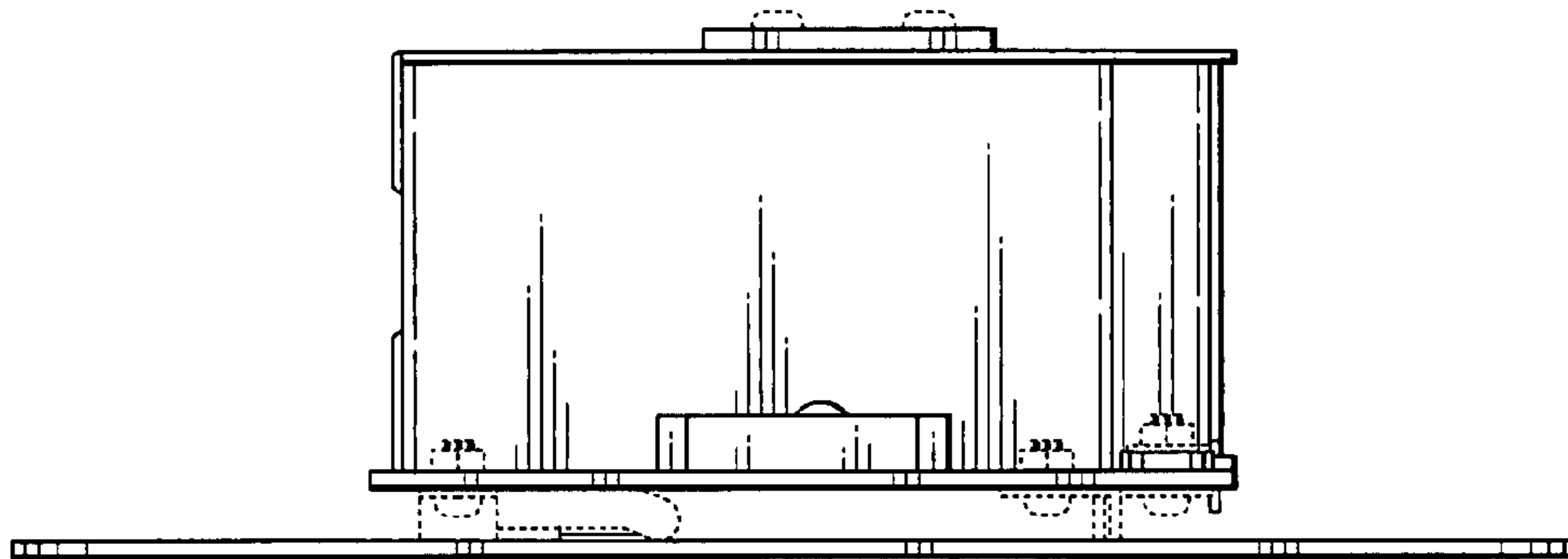


FIG.3

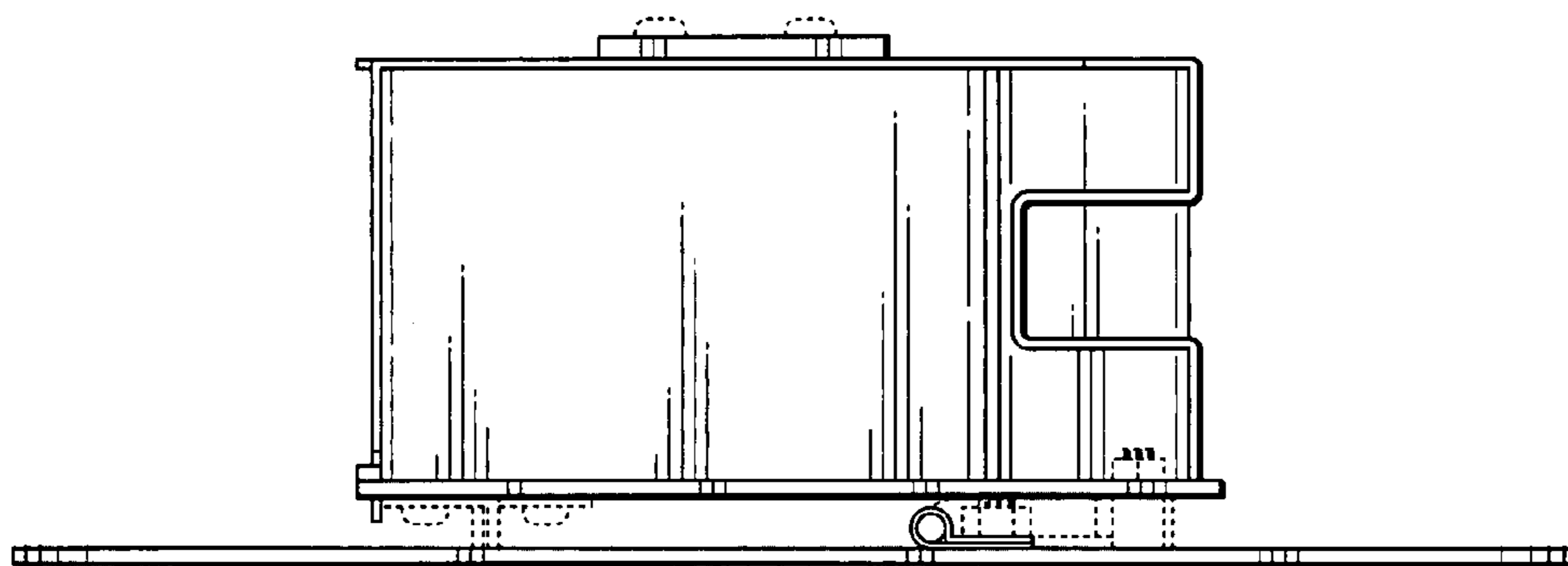


FIG.4

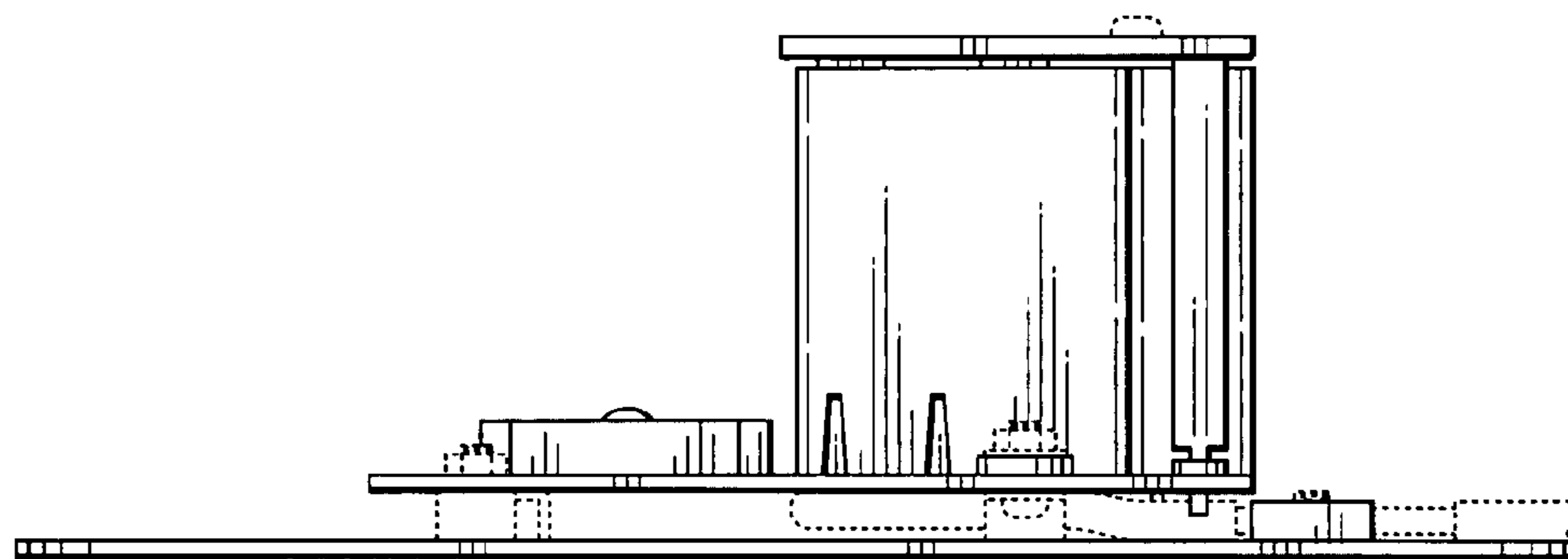


FIG.5

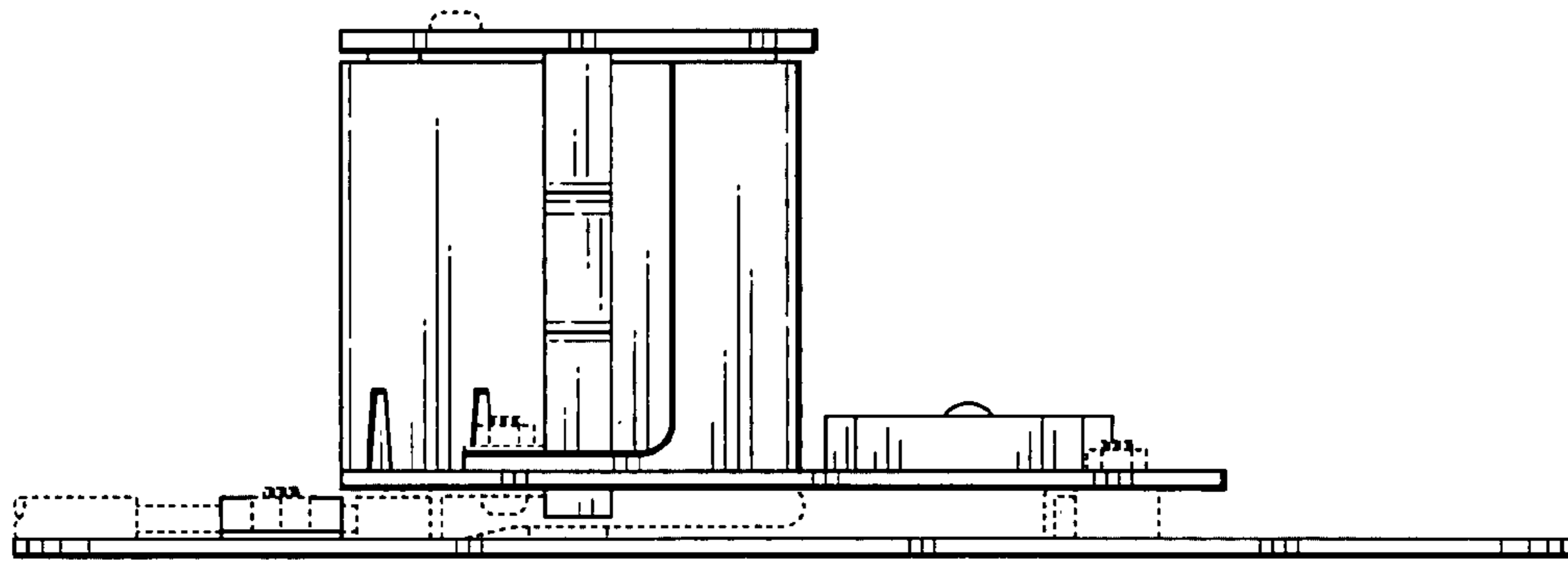


FIG.6

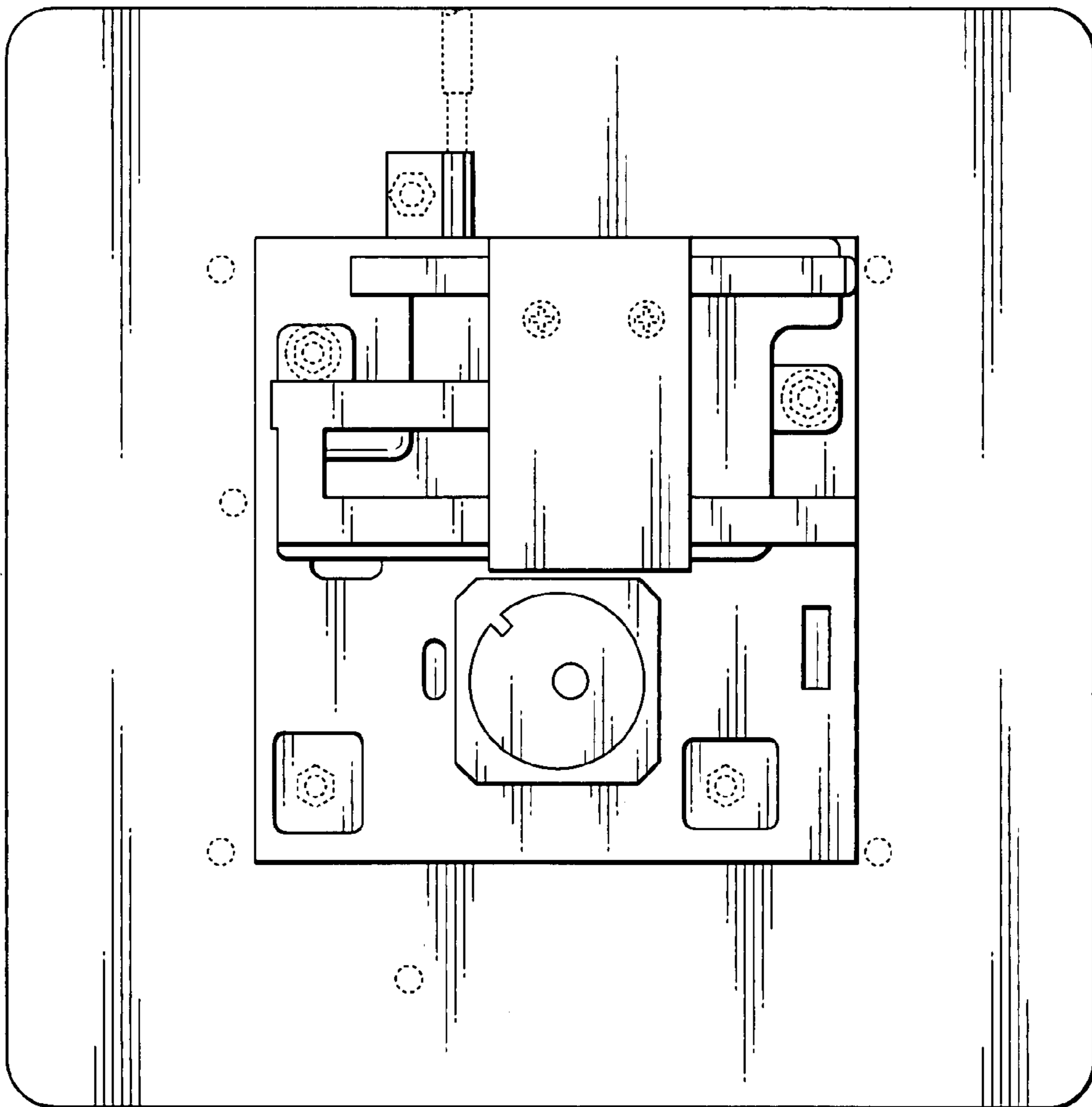


FIG.7

