



US00D580415S

(12) **United States Design Patent**
Beaver, Jr.

(10) **Patent No.:** **US D580,415 S**

(45) **Date of Patent:** **** Nov. 11, 2008**

(54) **ANTENNA**

(75) **Inventor:** **John Irvin Beaver, Jr.**, Riverdale, GA
(US)

(73) **Assignee:** **Flo Healthcare Solutions, LLC**,
Norcross, GA (US)

(**) **Term:** **14 Years**

(21) **Appl. No.:** **29/272,462**

(22) **Filed:** **Feb. 8, 2007**

(51) **LOC (8) Cl.** **14-03**

(52) **U.S. Cl.** **D14/230**

(58) **Field of Classification Search** D14/138,
D14/230-238, 299, 358; D12/42, 43, 199;
343/700 R-705, 871-908, 795, 840, 711-713,
343/819, 846; 455/90.2, 90.3, 91, 128, 269,
455/344, 347, 562.1

See application file for complete search history.

(56) **References Cited**

U.S. PATENT DOCUMENTS

2,419,480 A * 4/1947 Bryan et al. 343/842
D157,090 S * 1/1950 Schmidt D14/234
D398,303 S * 9/1998 Greger D14/137

D470,131 S * 2/2003 Noro et al. D14/230
D565,534 S * 4/2008 Ingalsbe et al. D14/155
D571,792 S * 6/2008 Johnson D14/230

* cited by examiner

Primary Examiner—Louis S Zarfaz

Assistant Examiner—John Windmuller

(74) *Attorney, Agent, or Firm*—Harness, Dickey & Pierce,
PLC

(57) **CLAIM**

The ornamental design for an antenna, as shown and described.

DESCRIPTION

FIG. 1 is a perspective view of an antenna showing my new design in use;

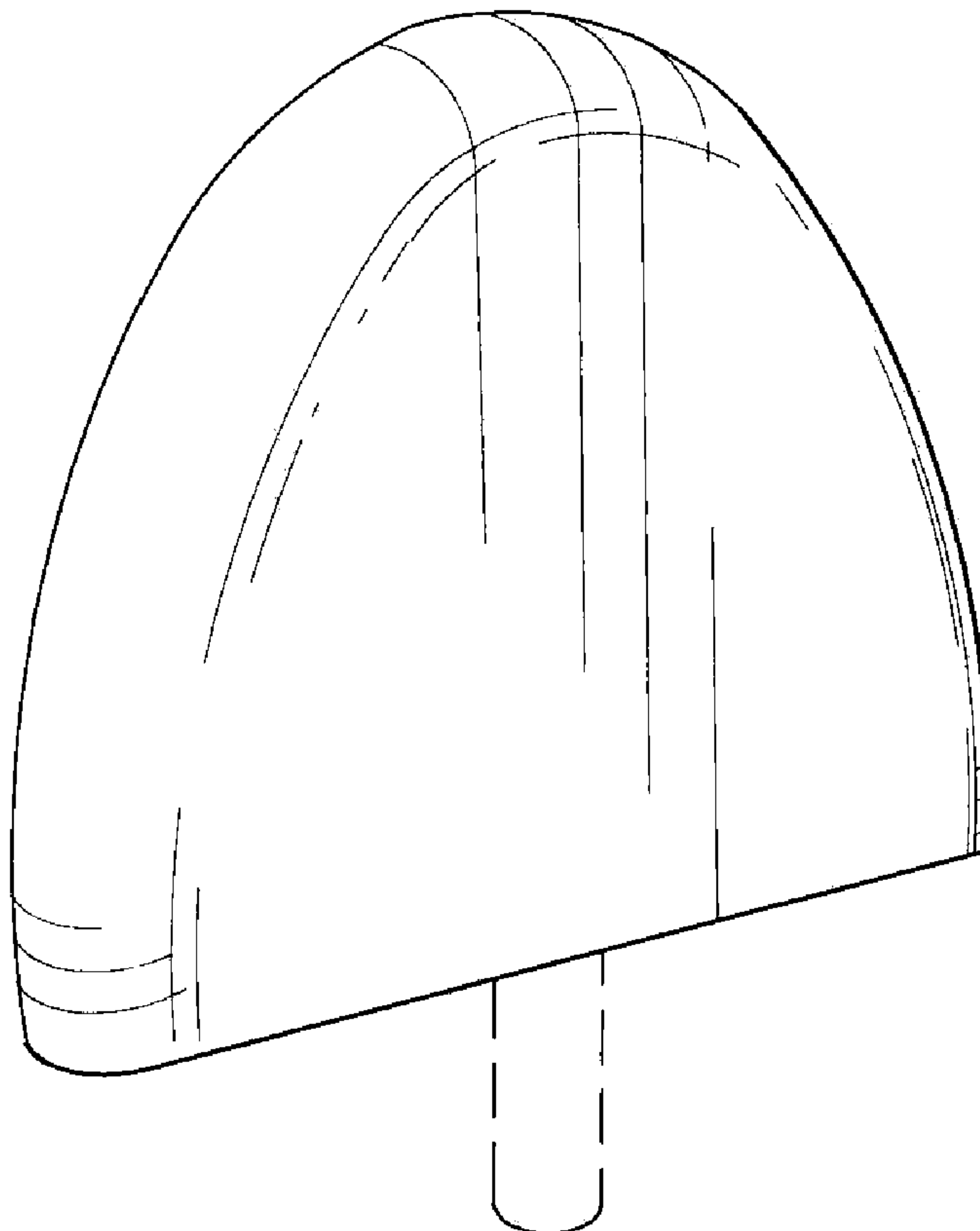
FIG. 2 is another perspective view of the antenna showing my new design;

FIG. 3 is a front view thereof; and,

FIG. 4 is a side view thereof, the opposite side view being a mirror image thereof.

The broken lines illustrate environment only and form no part of the claimed design.

1 Claim, 3 Drawing Sheets



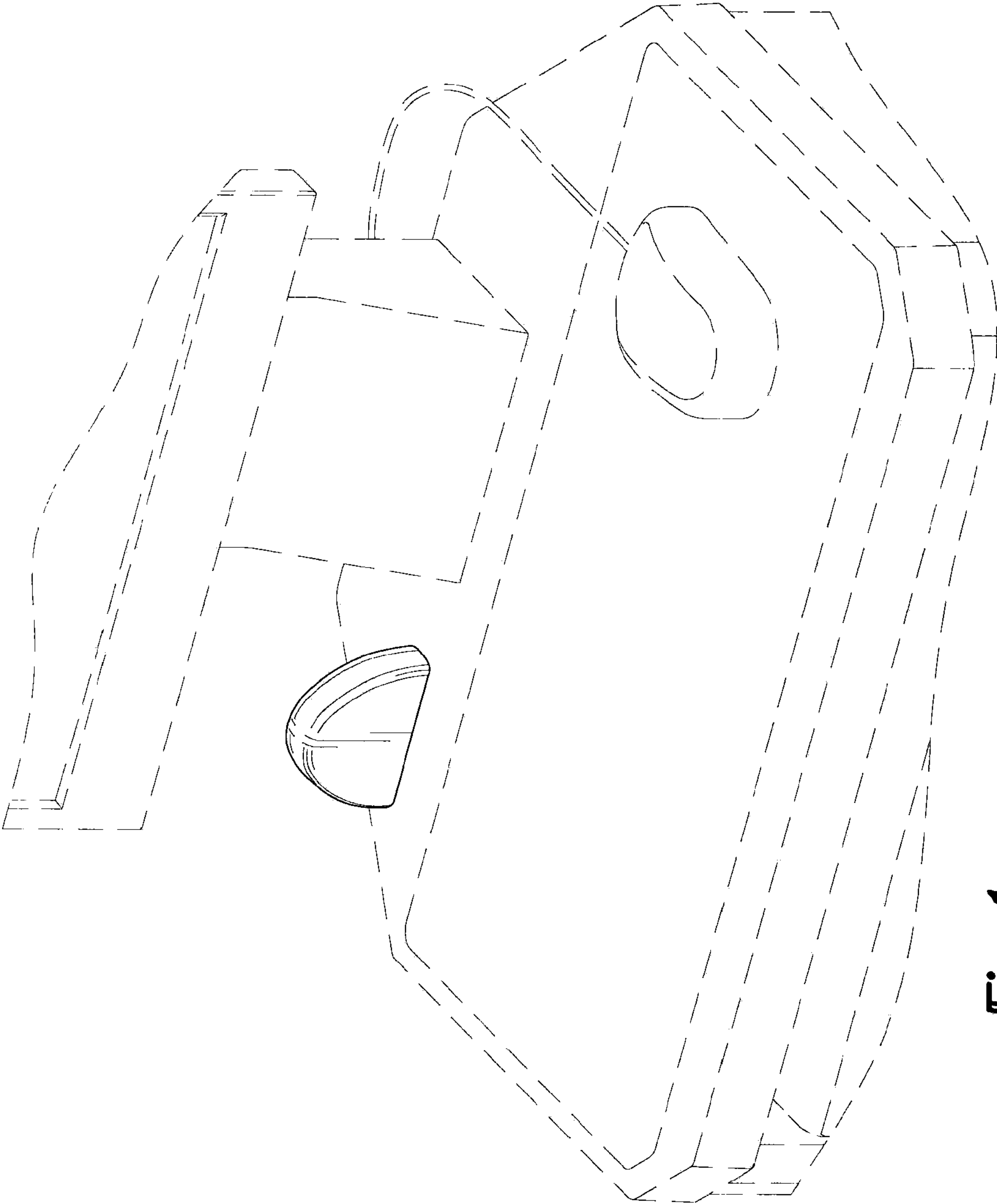


Fig-1

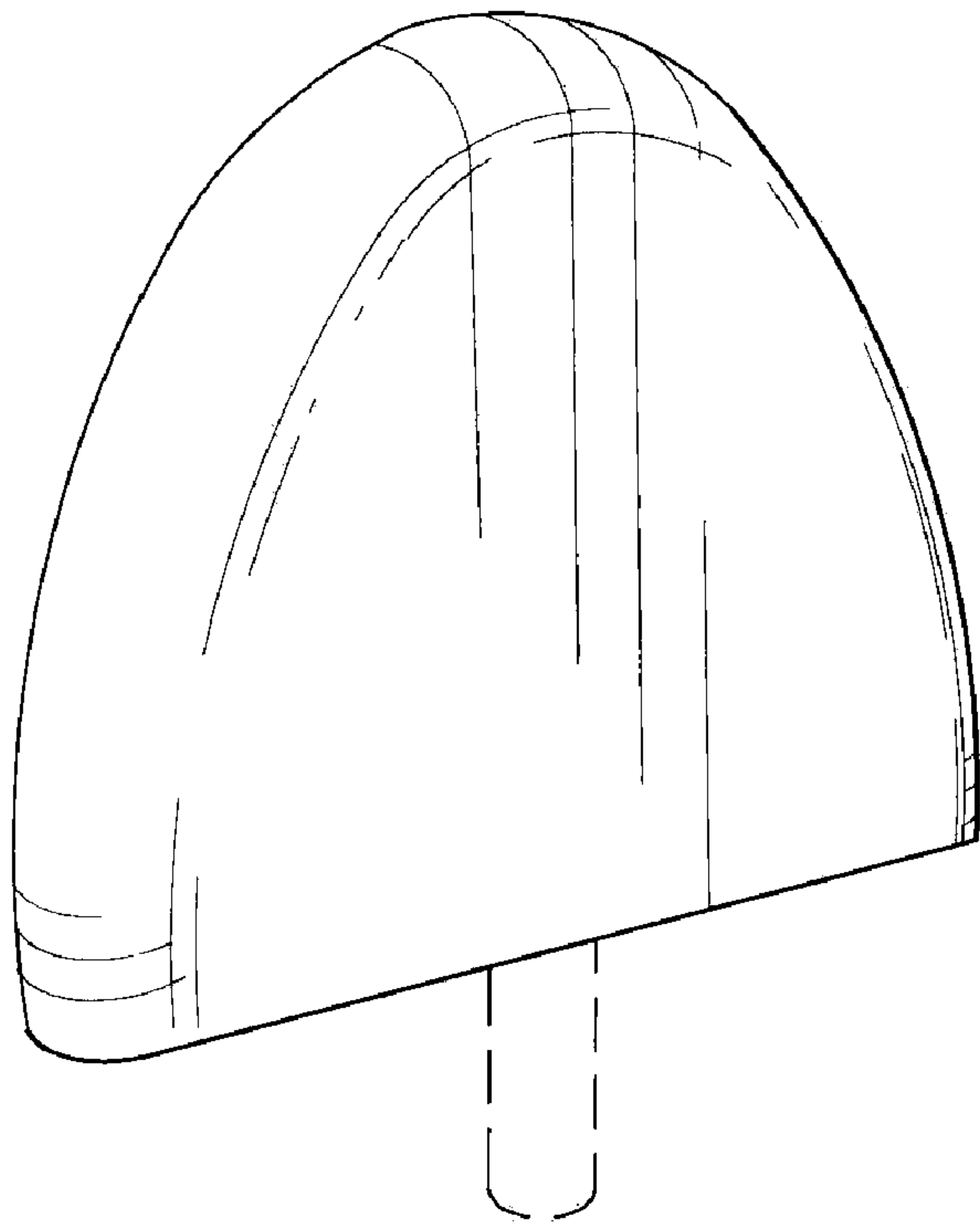


Fig-2

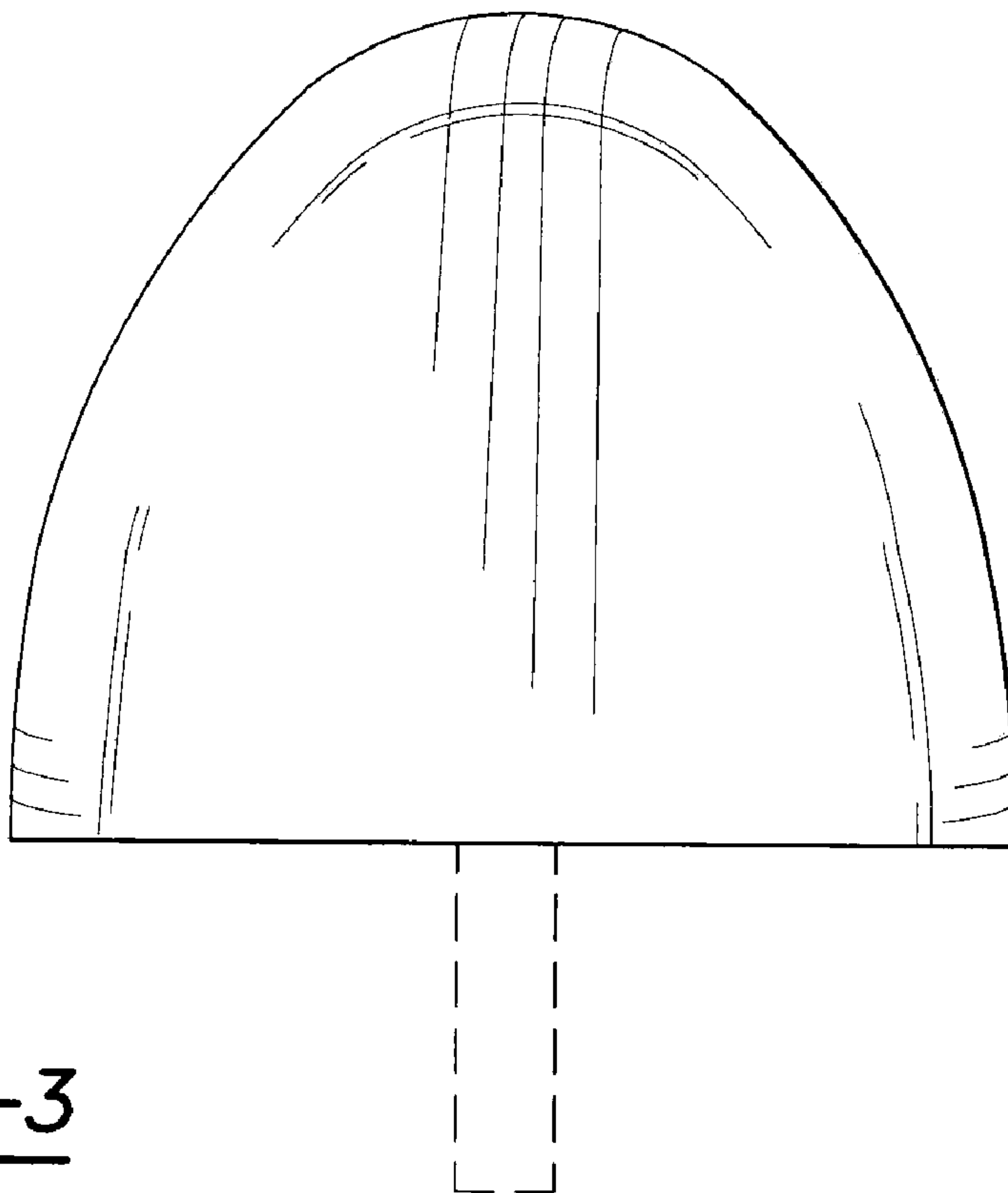


Fig-3

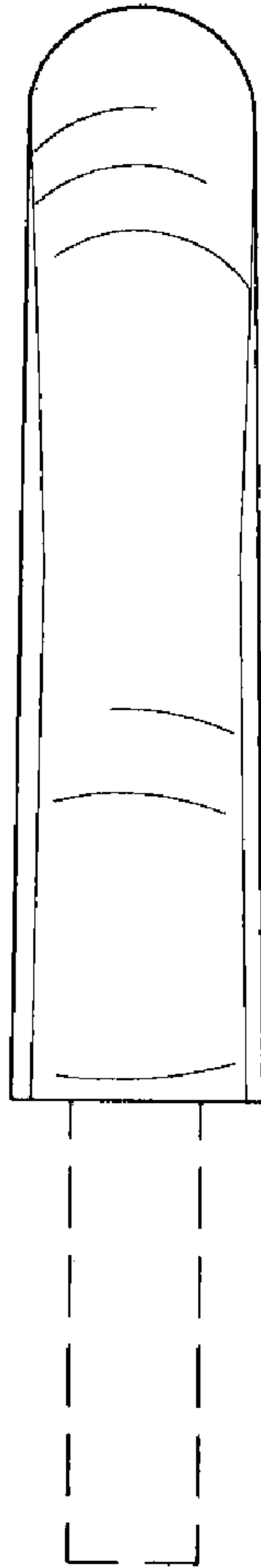


Fig-4