



US00D580414S

(12) **United States Design Patent**
Chapman

(10) **Patent No.:** **US D580,414 S**

(45) **Date of Patent:** **** Nov. 11, 2008**

(54) **MICROPHONE ASSEMBLY**

(75) Inventor: **Angus John Chapman**, Northgate (AU)

(73) Assignee: **Innotech Pty Ltd.** (AU)

(**) Term: **14 Years**

(21) Appl. No.: **29/284,962**

(22) Filed: **Sep. 19, 2007**

(51) **LOC (8) Cl.** **14-01**

(52) **U.S. Cl.** **D14/225**

(58) **Field of Classification Search** D14/225,
D14/226, 229, 137, 138, 188, 192, 248, 205,
D14/206, 223, 215, 216, 221; 181/129-130;
379/430, 433; 381/186, 370, 374, 375, 376,
381/377, 378, 379, 380, 381, 412, 319; 455/347,
455/500, 557; 2/209; 128/866; D24/174
See application file for complete search history.

(56) **References Cited**

U.S. PATENT DOCUMENTS

2,336,828 A * 12/1943 Zarth 381/319
D248,231 S * 6/1978 Goldman et al. D14/225

D287,765 S * 1/1987 Topholm D24/174
4,811,406 A * 3/1989 Kawachi 381/186
D362,442 S * 9/1995 Goldfarb D14/216
5,684,883 A * 11/1997 Chen 381/385
5,832,098 A * 11/1998 Chen 381/370
D453,506 S * 2/2002 Liou et al. D14/225
D481,709 S * 11/2003 Solderits D14/228
D488,461 S * 4/2004 Okada et al. D14/223
6,912,291 B2 * 6/2005 Huang 381/374

* cited by examiner

Primary Examiner—Paula Greene

(74) *Attorney, Agent, or Firm*—Galbreath Law Offices, P.C.;
John A. Galbreath

(57) **CLAIM**

The ornamental design for a microphone assembly, as shown and described.

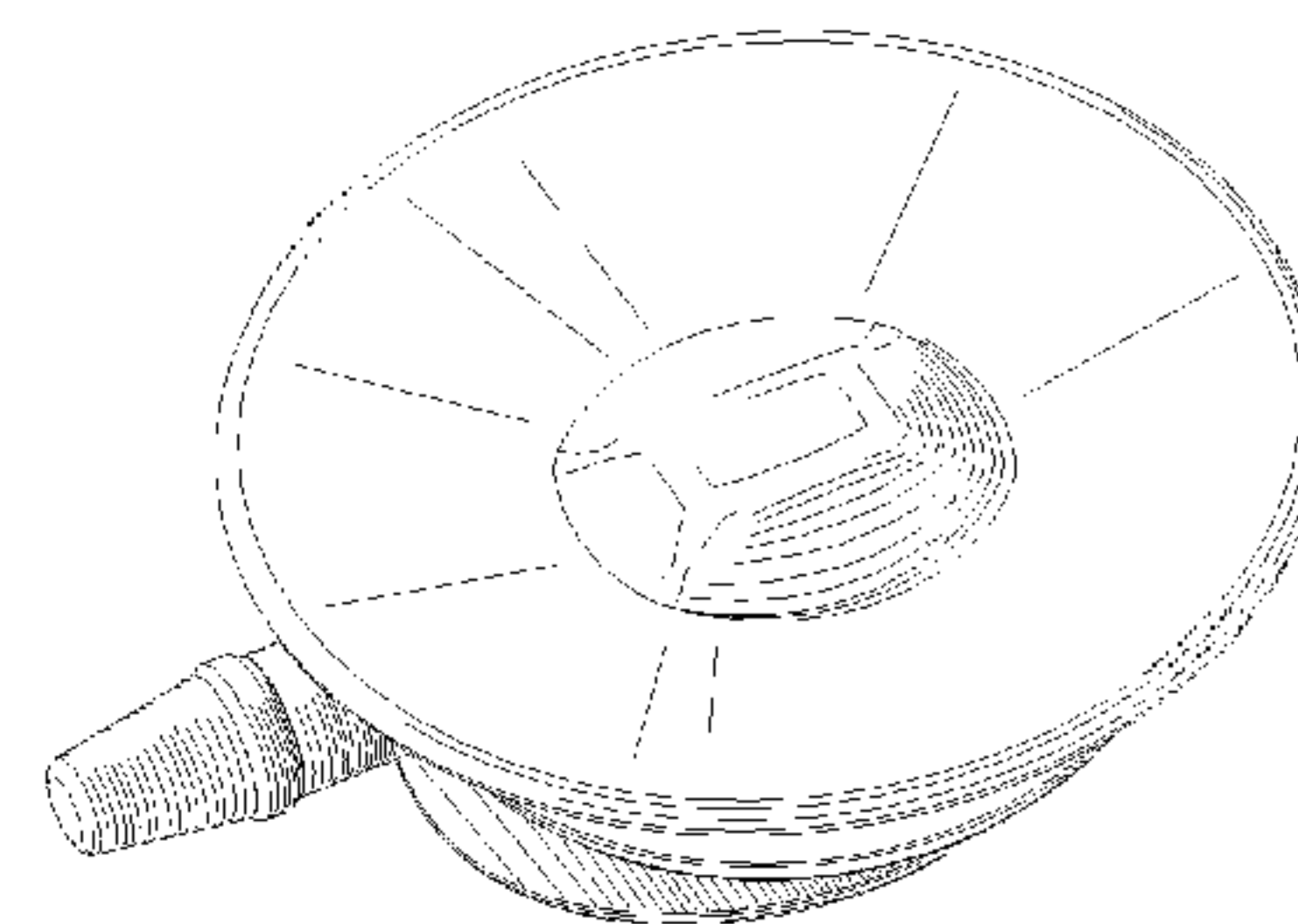
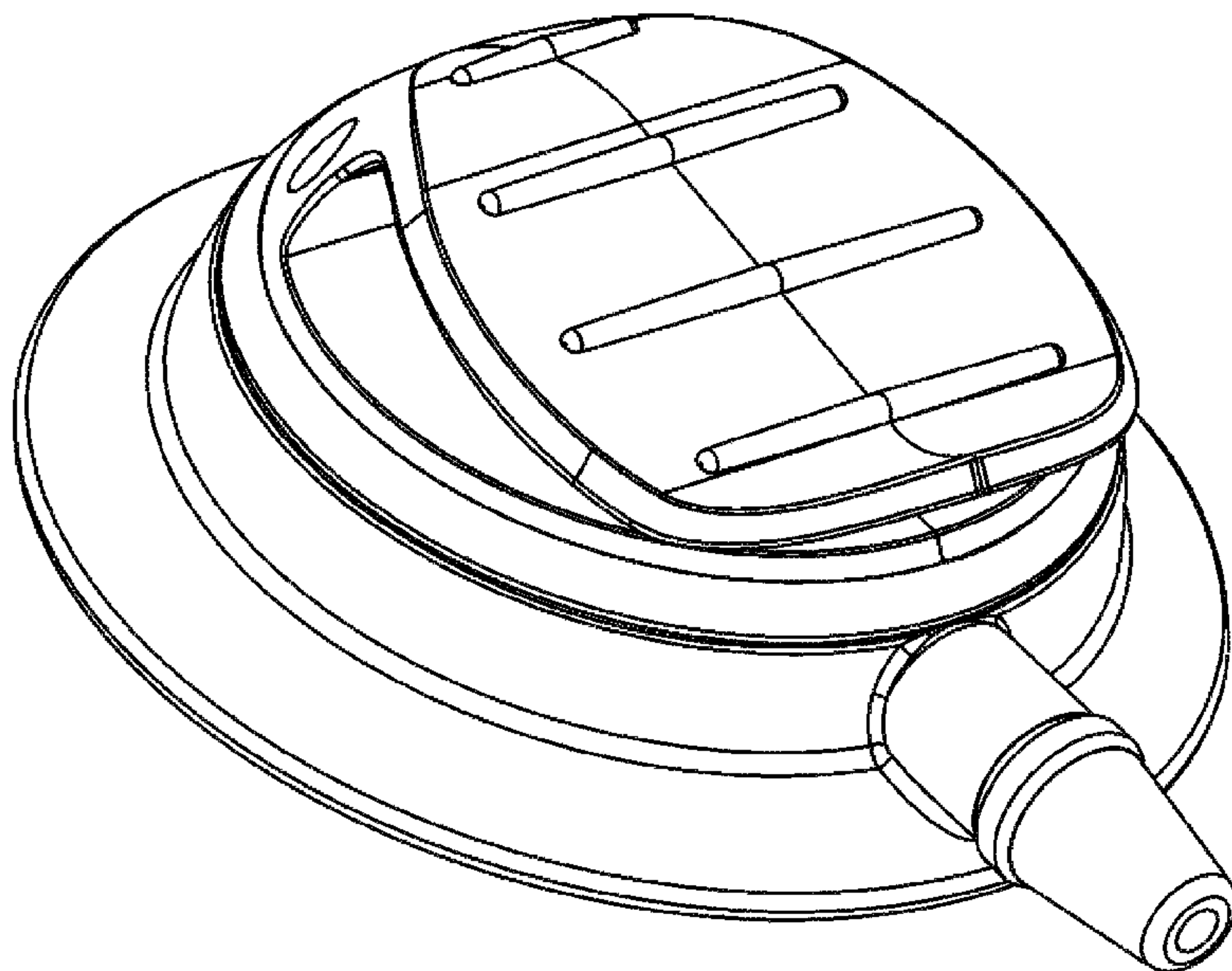
DESCRIPTION

FIG. 1 is a perspective view of a microphone assembly showing my new design;

FIG. 2 is an opposite end perspective view thereof; and,

FIG. 3 is a bottom perspective view thereof.

1 Claim, 3 Drawing Sheets



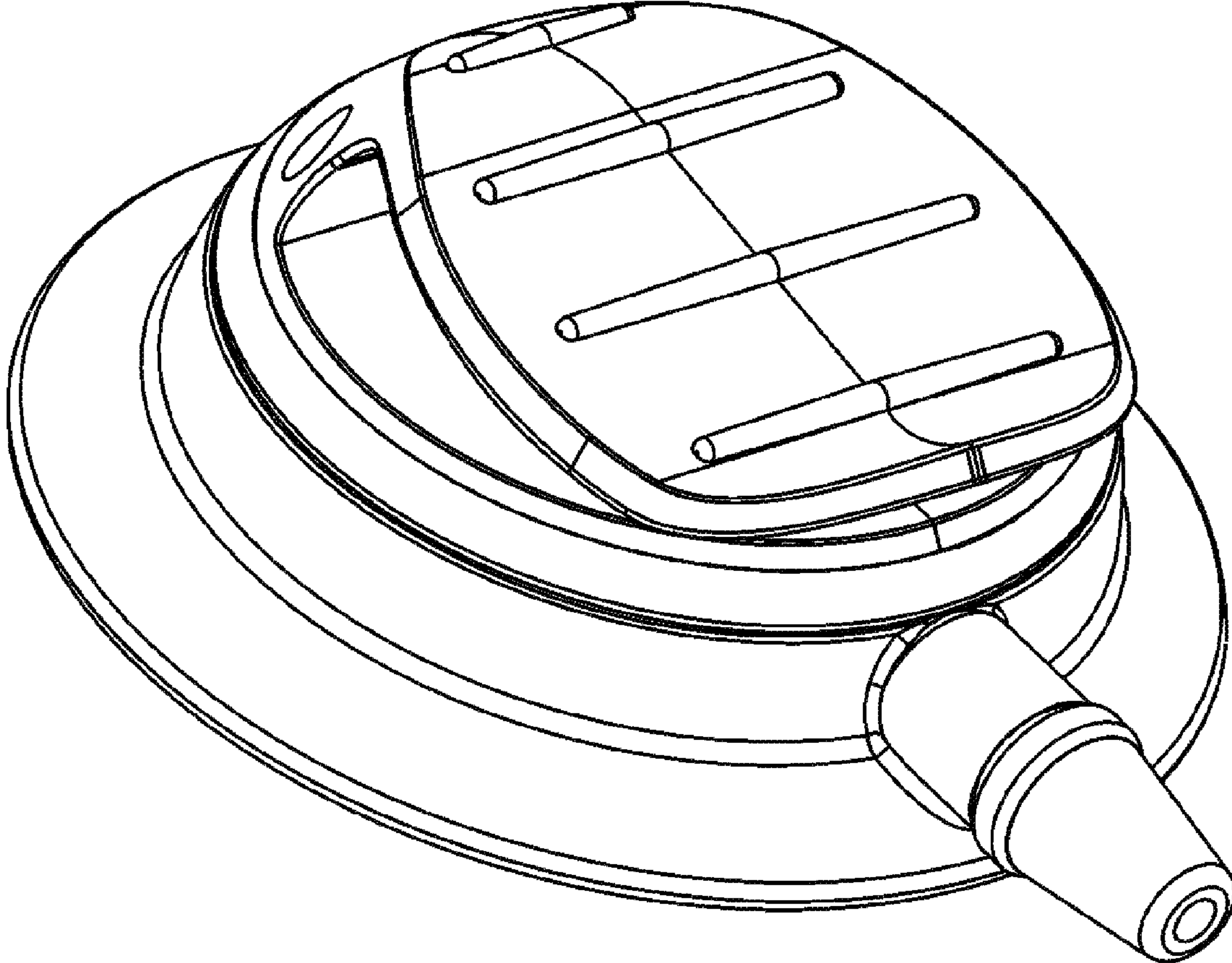


FIGURE 1

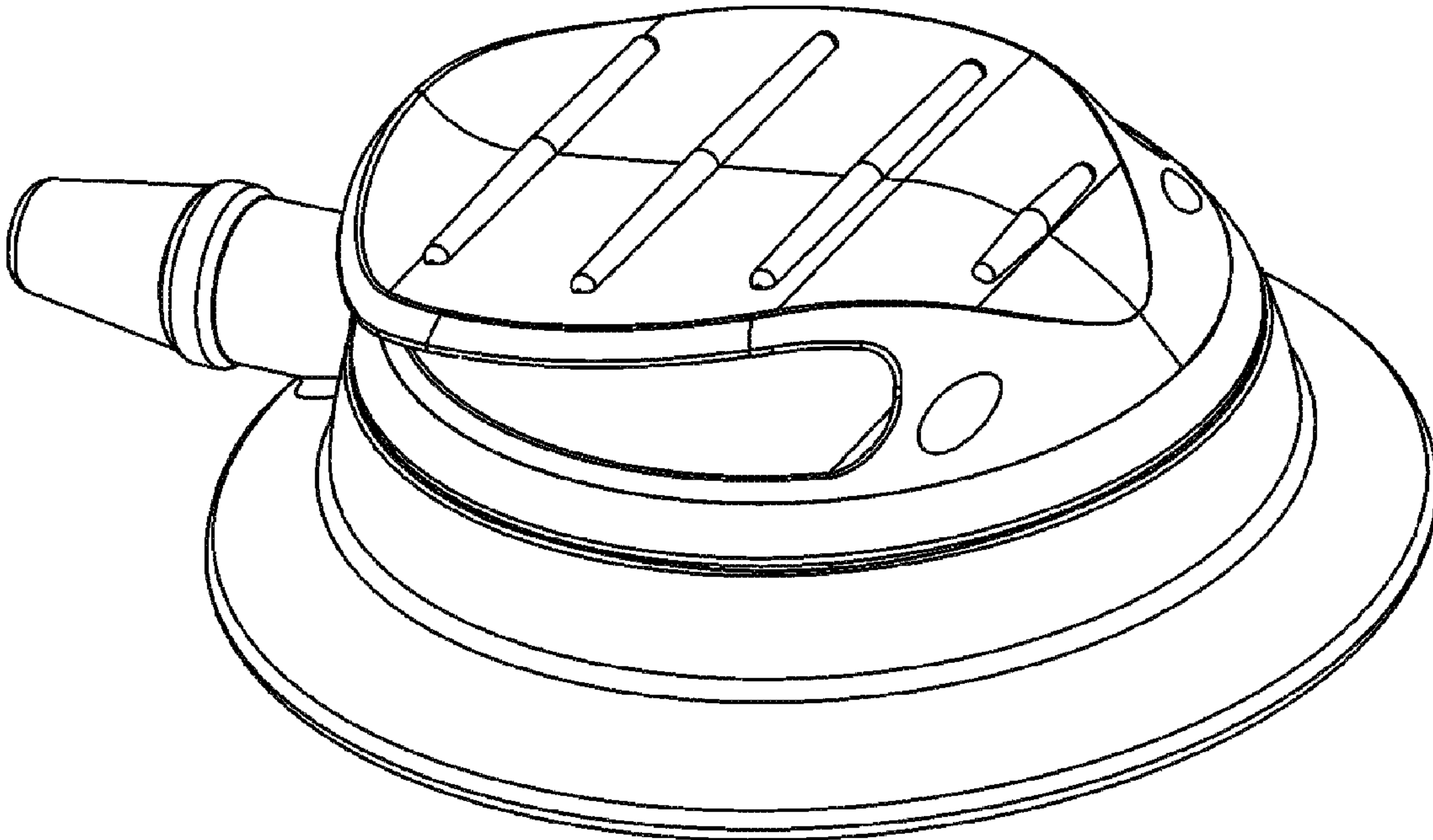


FIGURE 2

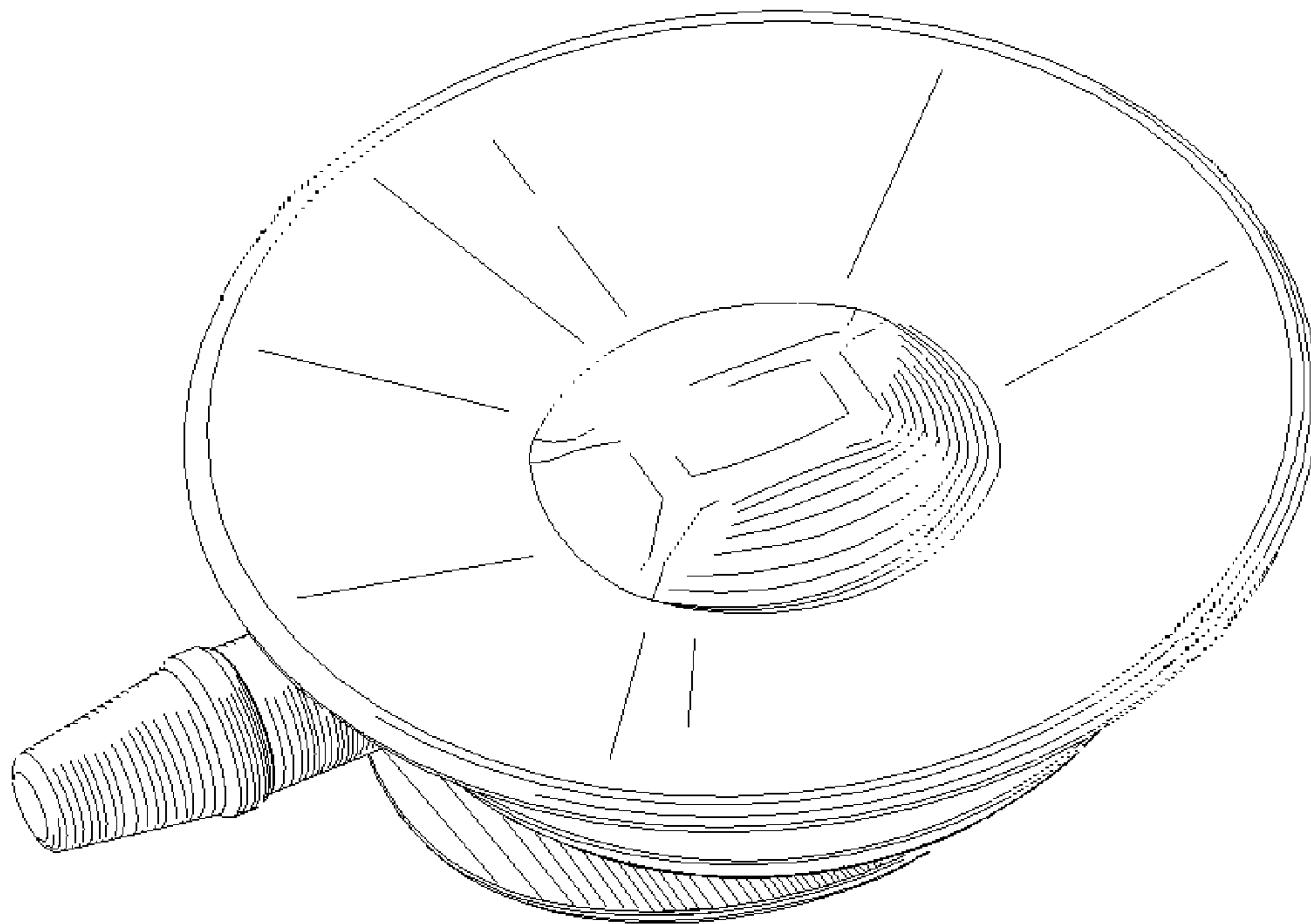


FIGURE 3