



US00D580413S

(12) **United States Design Patent**  
**Tsao**

(10) **Patent No.:** **US D580,413 S**

(45) **Date of Patent:** **\*\* Nov. 11, 2008**

(54) **REMOTE CONTROL**

(75) Inventor: **Chun-Lei Tsao**, Taipei (TW)

(73) Assignee: **Hannspree, Inc.**, Taipei (TW)

(\*\*) Term: **14 Years**

(21) Appl. No.: **29/309,105**

(22) Filed: **Jun. 23, 2008**

(51) **LOC (8) Cl.** ..... **14-03**

(52) **U.S. Cl.** ..... **D14/218; D13/168**

(58) **Field of Classification Search** ..... D14/218,  
D14/455, 138; D13/168; D21/566; D10/104,  
D10/106; 345/169; 348/14.05, 114, 211.99,  
348/734; 340/825.24, 825.69; 341/22; 455/92,  
455/95, 128, 151.1–151.4, 352, 355, FOR. 121;  
700/65

See application file for complete search history.

(56) **References Cited**

**U.S. PATENT DOCUMENTS**

- D306,588 S \* 3/1990 Kashiwagi ..... D14/163
- D319,229 S \* 8/1991 Hino et al. .... D14/126
- D335,880 S \* 5/1993 Kanatani et al. .... D14/165
- D446,554 S \* 8/2001 Gautieri et al. .... D21/405
- D467,911 S \* 12/2002 Lee ..... D14/243
- D487,733 S \* 3/2004 Lucaci et al. .... D14/138 AC

- D493,155 S \* 7/2004 Robertson et al. .... D14/137
- D506,982 S \* 7/2005 Murtaugh et al. .... D13/168
- D513,233 S \* 12/2005 Stauffer ..... D13/168
- D550,654 S \* 9/2007 Miyawaki ..... D14/218
- D572,206 S \* 7/2008 Ikeda et al. .... D13/168
- 2005/0024321 A1 \* 2/2005 Tsai ..... 345/156
- 2005/0270270 A1 \* 12/2005 Chadha ..... 345/157

\* cited by examiner

*Primary Examiner*—Robert M Spear

*Assistant Examiner*—John Windmuller

(74) *Attorney, Agent, or Firm*—Reed Smith LLP; Stanley P. Fisher, Esq.; Juan Carlos A. Marquez, Esq.

(57) **CLAIM**

The ornamental design for a remote control, as shown and described.

**DESCRIPTION**

FIG. 1 is a front perspective view thereof;

FIG. 2 is a front elevational view thereof;

FIG. 3 is a rear elevational view thereof;

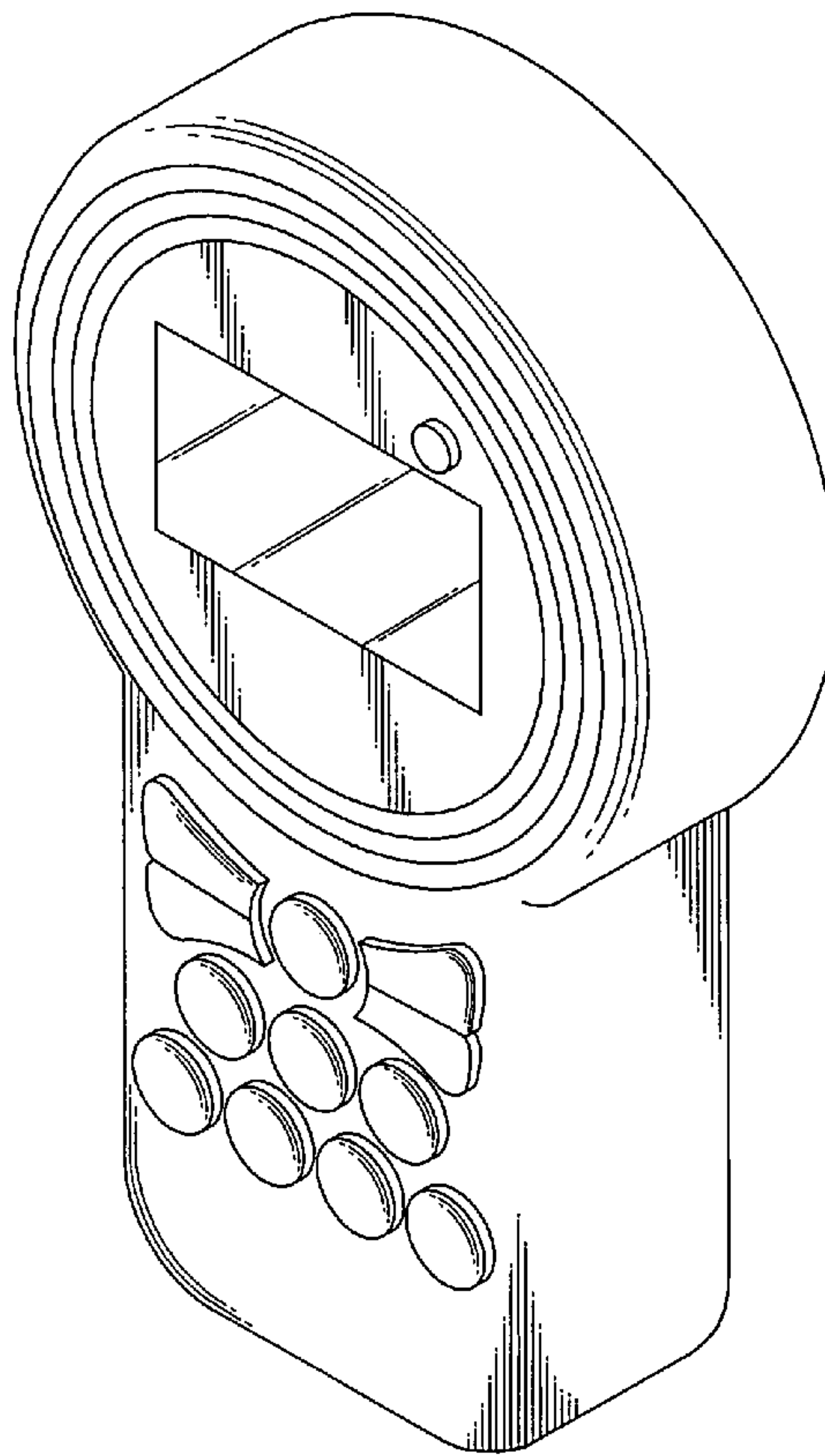
FIG. 4 is a left side elevational view thereof;

FIG. 5 is a right side elevational view thereof;

FIG. 6 is a top plan view thereof; and,

FIG. 7 is a bottom plan view thereof.

**1 Claim, 7 Drawing Sheets**



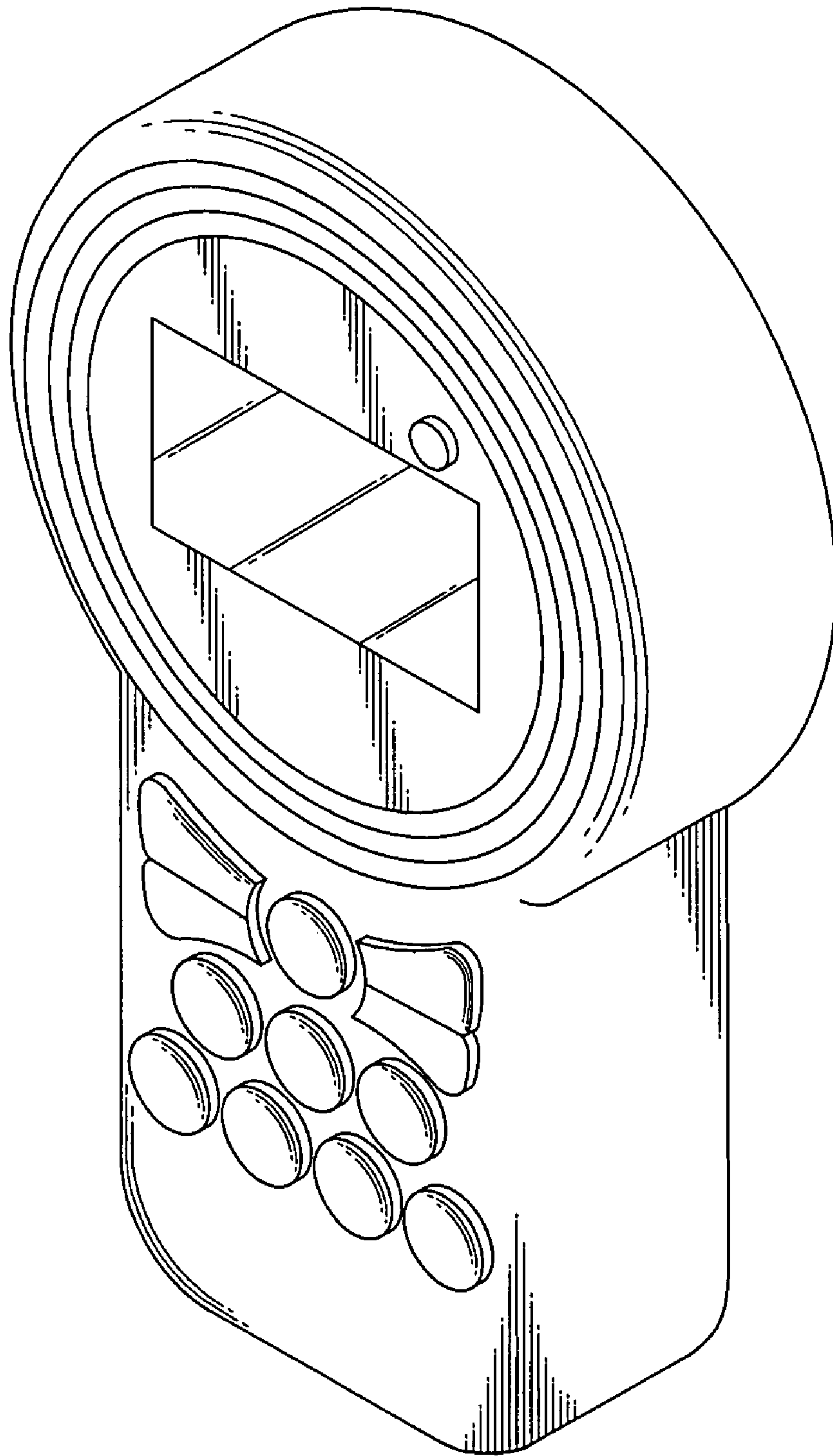


Fig. 1

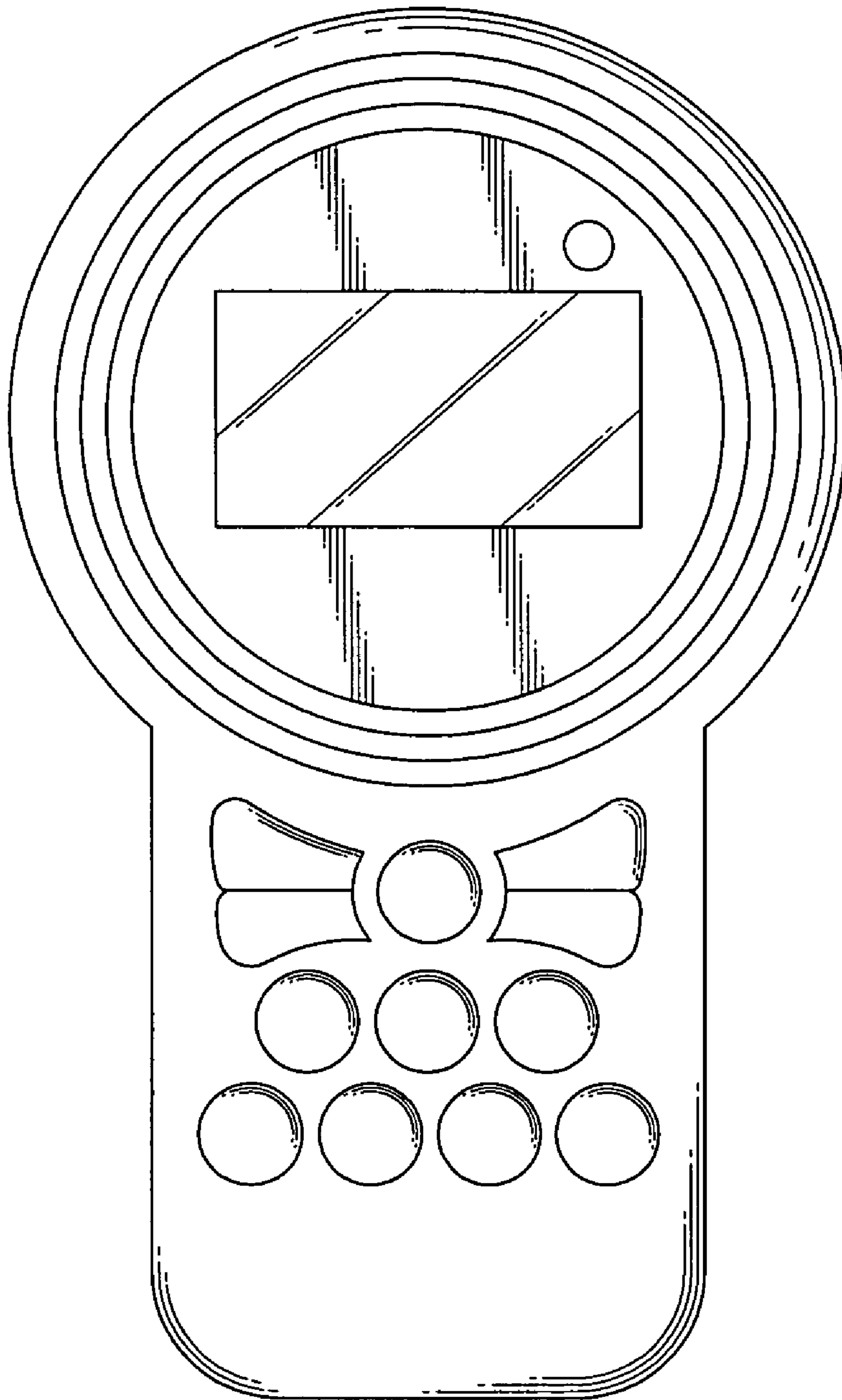


Fig. 2

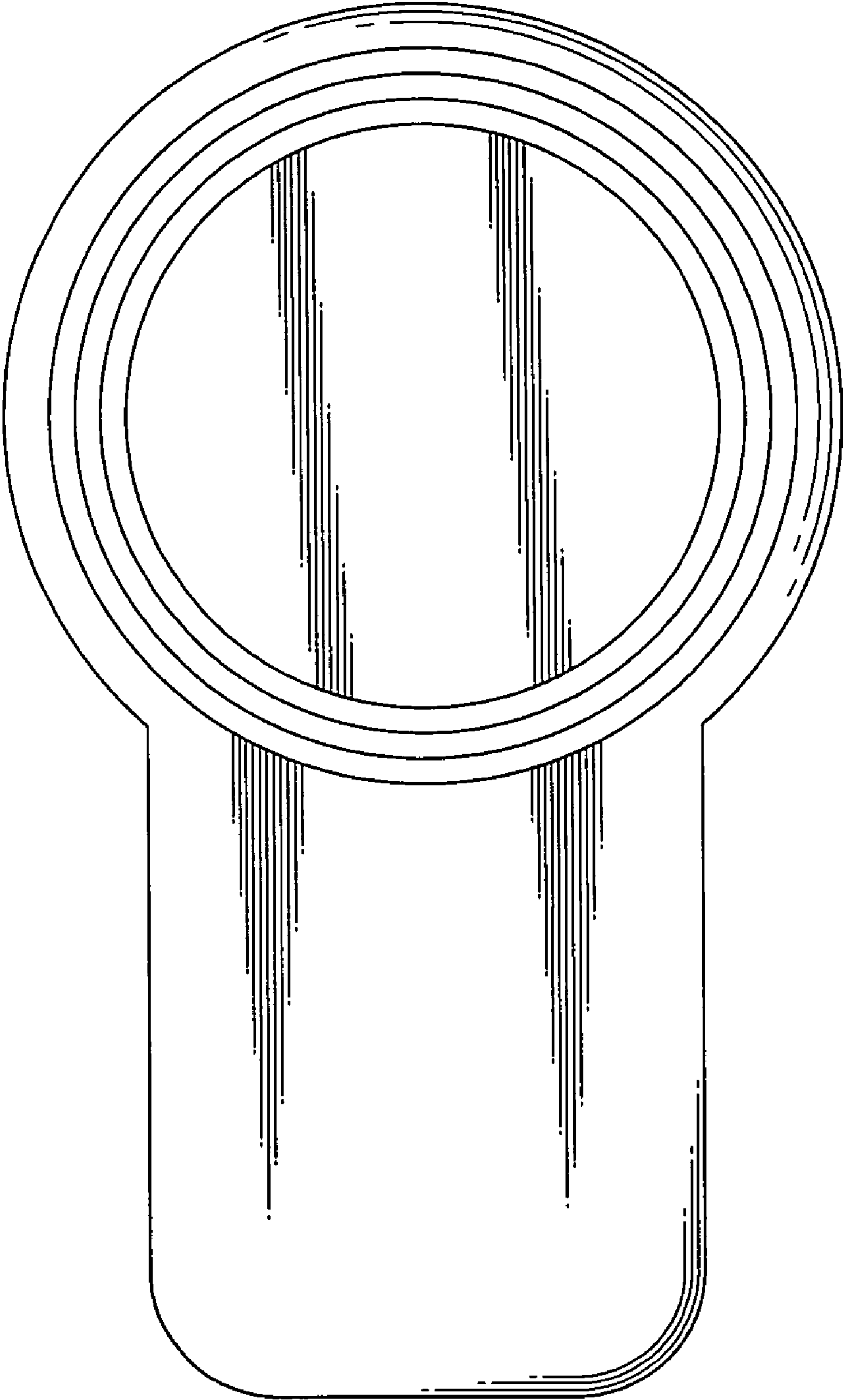


Fig. 3

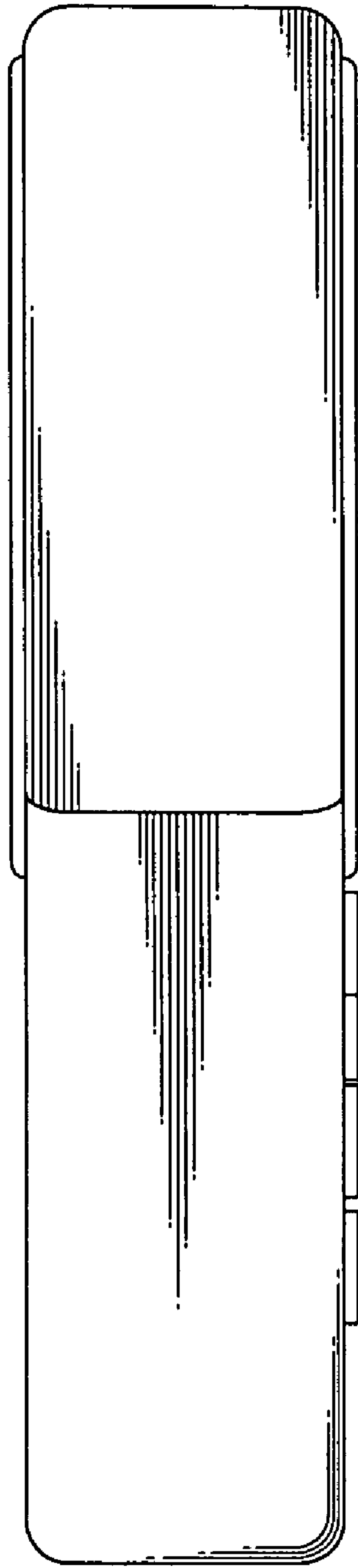


Fig. 4

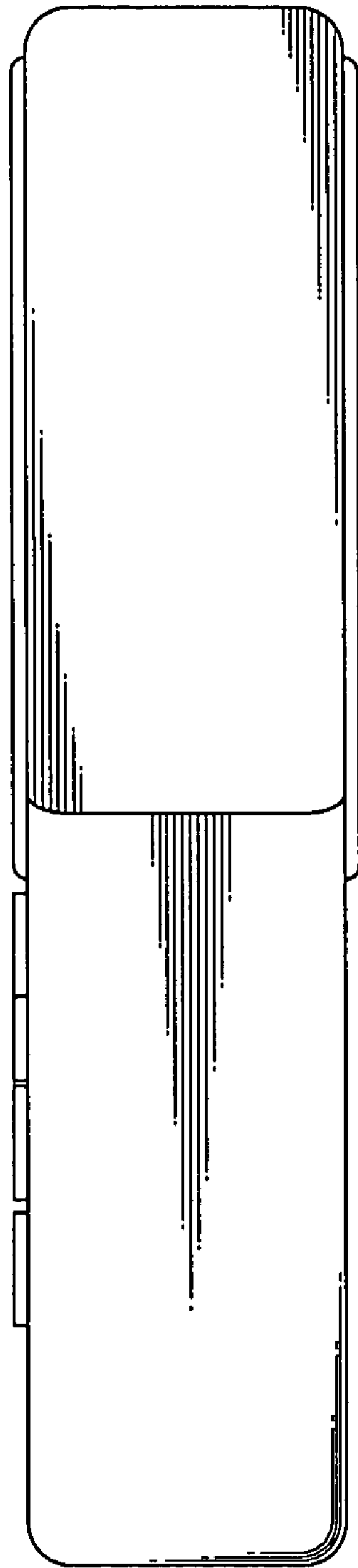


Fig. 5

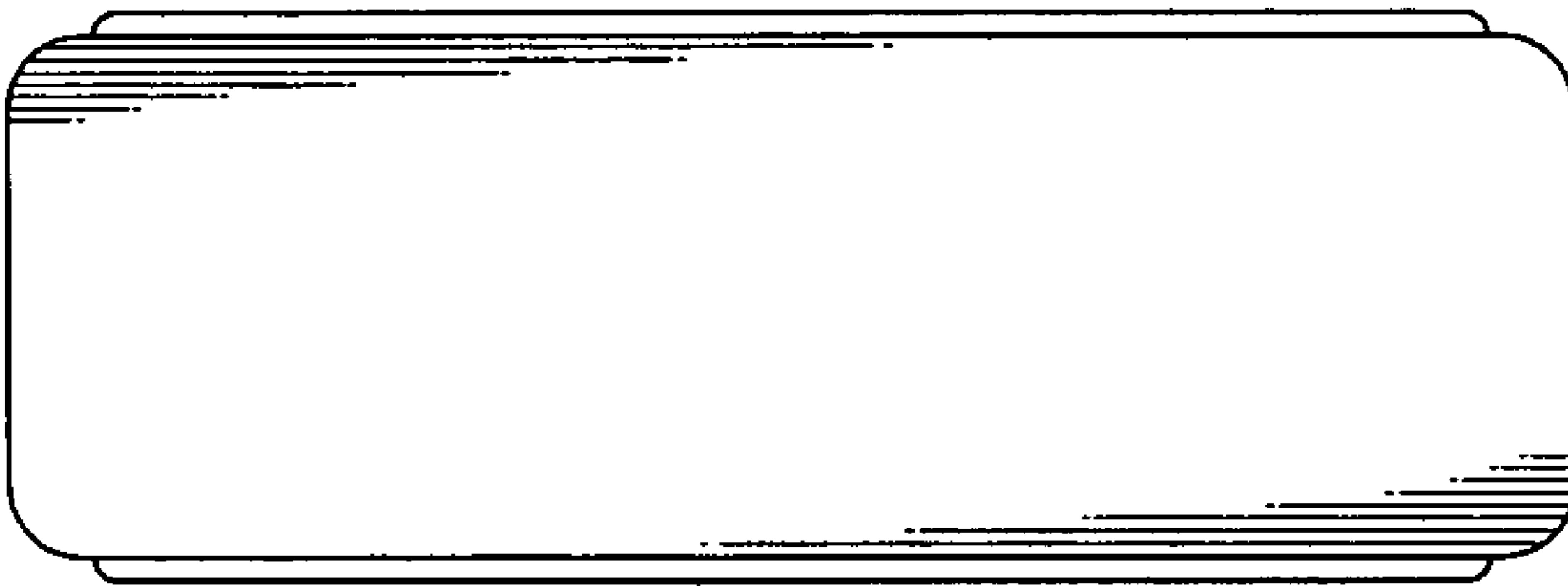


Fig. 6

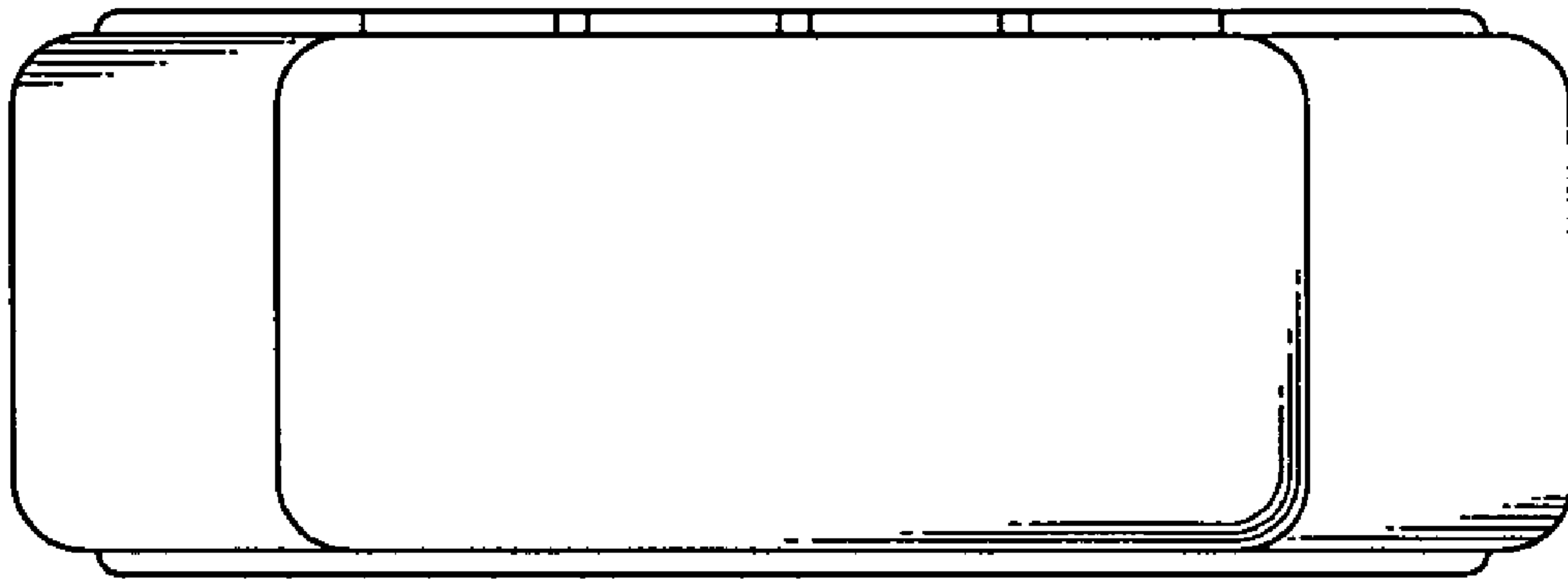


Fig. 7