



US00D580412S

(12) **United States Design Patent**
Sei

(10) **Patent No.:** **US D580,412 S**

(45) **Date of Patent:** **** Nov. 11, 2008**

(54) **LOUDSPEAKER FOR VEHICLE**

D448,017 S * 9/2001 Hasbrook D14/216
D475,992 S * 6/2003 Tomotaro D14/216
D487,738 S * 3/2004 Iijima et al. D14/216

(75) Inventor: **Kazufumi Sei**, Tokyo (JP)

* cited by examiner

(73) Assignee: **Victor Company of Japan, Limited**,
Yokohama-Shi (JP)

Primary Examiner—Nanda Bondade

(**) Term: **14 Years**

(74) *Attorney, Agent, or Firm*—Nath Law Group; Jerald L.
Meyer; Jon A. Kidney

(21) Appl. No.: **29/274,931**

(57) **CLAIM**

(22) Filed: **Jun. 8, 2007**

The ornamental design for a loudspeaker for vehicle, as
shown and described.

(30) **Foreign Application Priority Data**

Dec. 14, 2006 (JP) D2006-034289

DESCRIPTION

(51) **LOC (8) Cl.** **14-01**

FIG. 1 is a perspective view of a loudspeaker for vehicle;

(52) **U.S. Cl.** **D14/216**

FIG. 2 is a front view thereof;

(58) **Field of Classification Search** D14/204,
D14/209–216, 219–220; 181/143–144, 147–148,
181/150, 157, 198–199, 151, 153; 381/300–302,
381/306, 333, 345, 361–364, 386–388, 332,
381/336

FIG. 3 is a rear view thereof;

FIG. 4 is a right side view thereof;

FIG. 5 is a left side view thereof;

FIG. 6 is a top plan view thereof; and,

FIG. 7 is a bottom plan view thereof.

See application file for complete search history.

The broken line showing on the drawing disclosure is for
illustrative purposes only and forms no part of the claimed
design.

(56) **References Cited**

U.S. PATENT DOCUMENTS

D188,542 S * 8/1960 Levy et al. D14/216

1 Claim, 6 Drawing Sheets

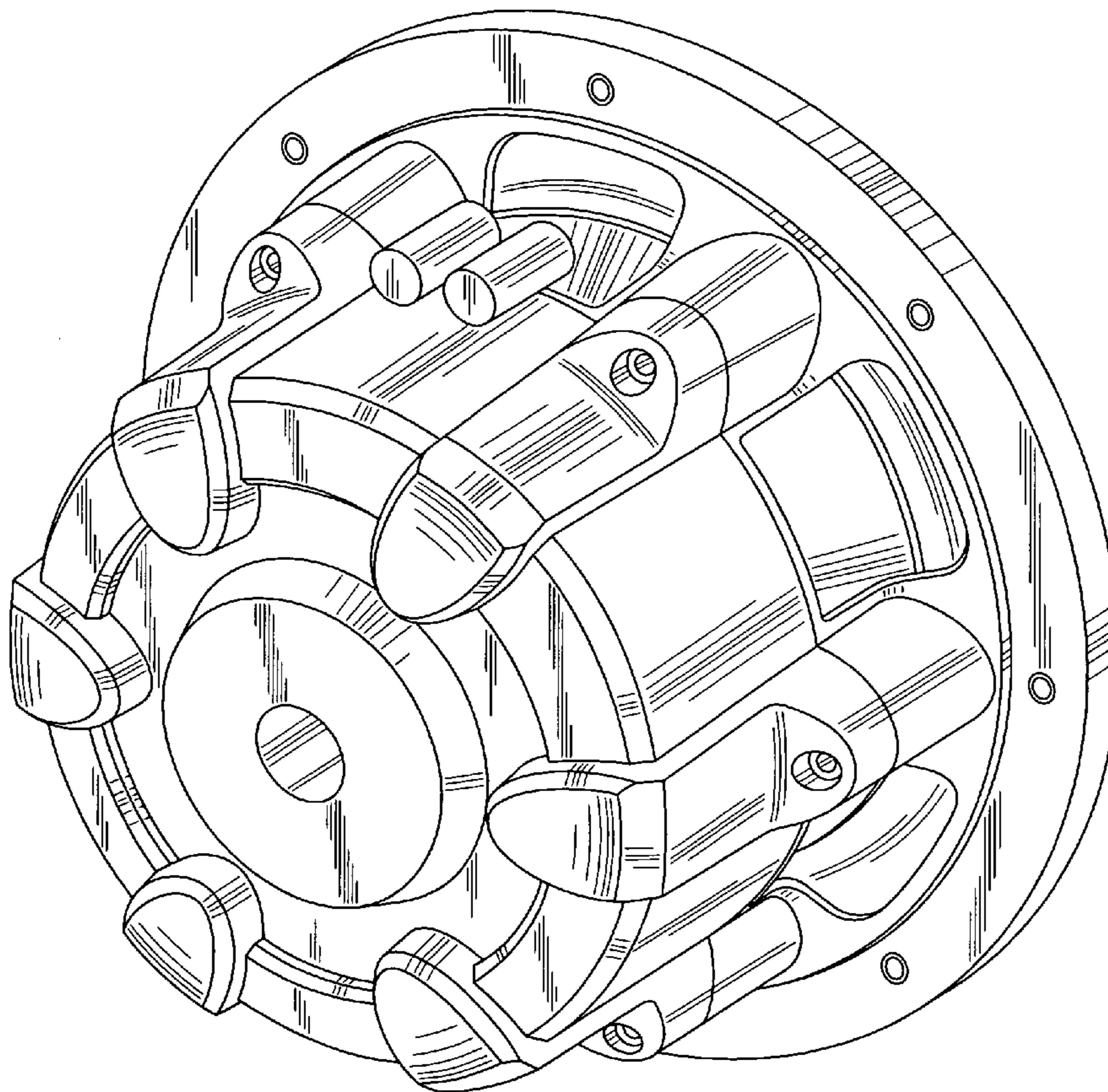


Fig.1

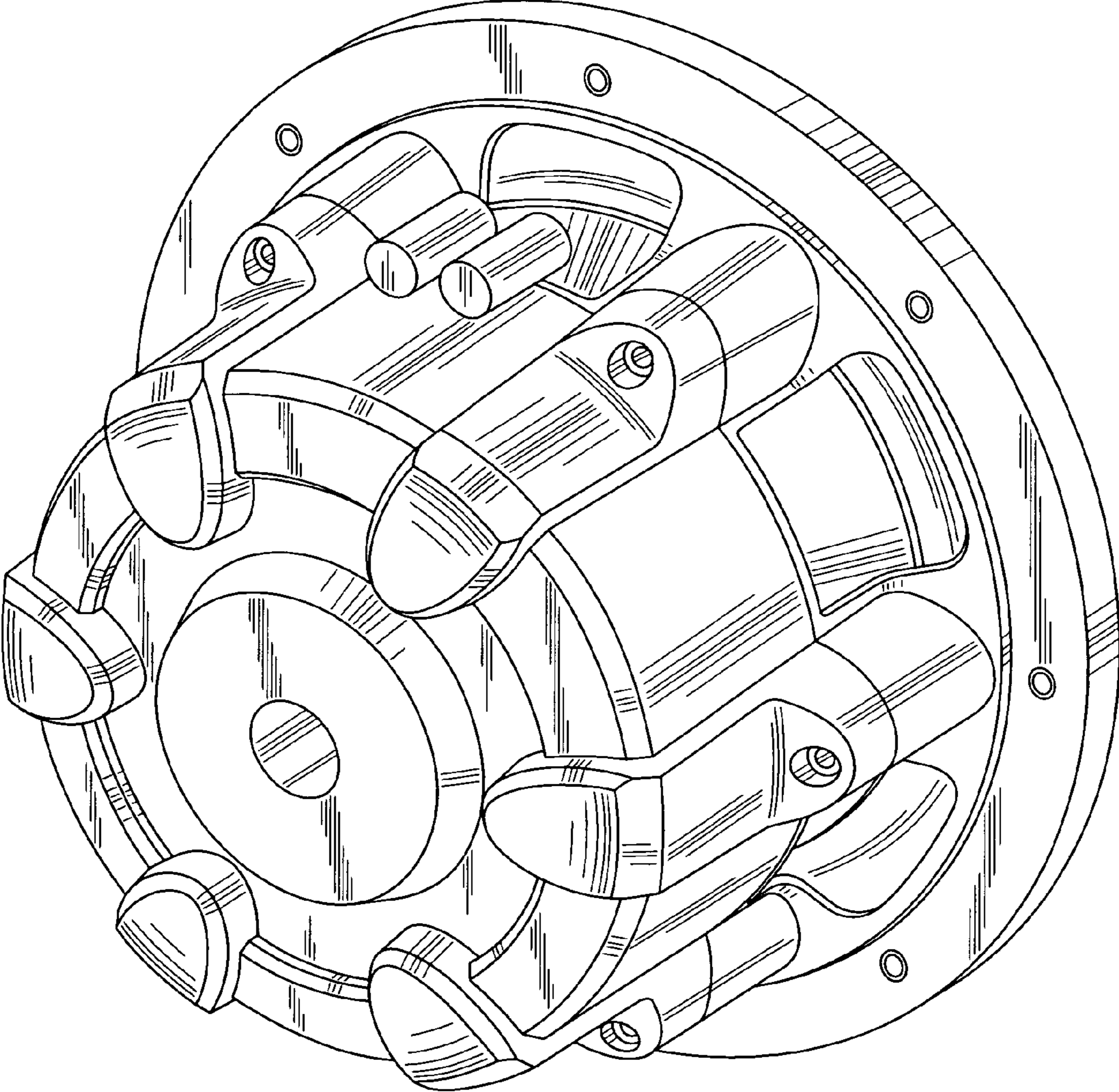


Fig.2

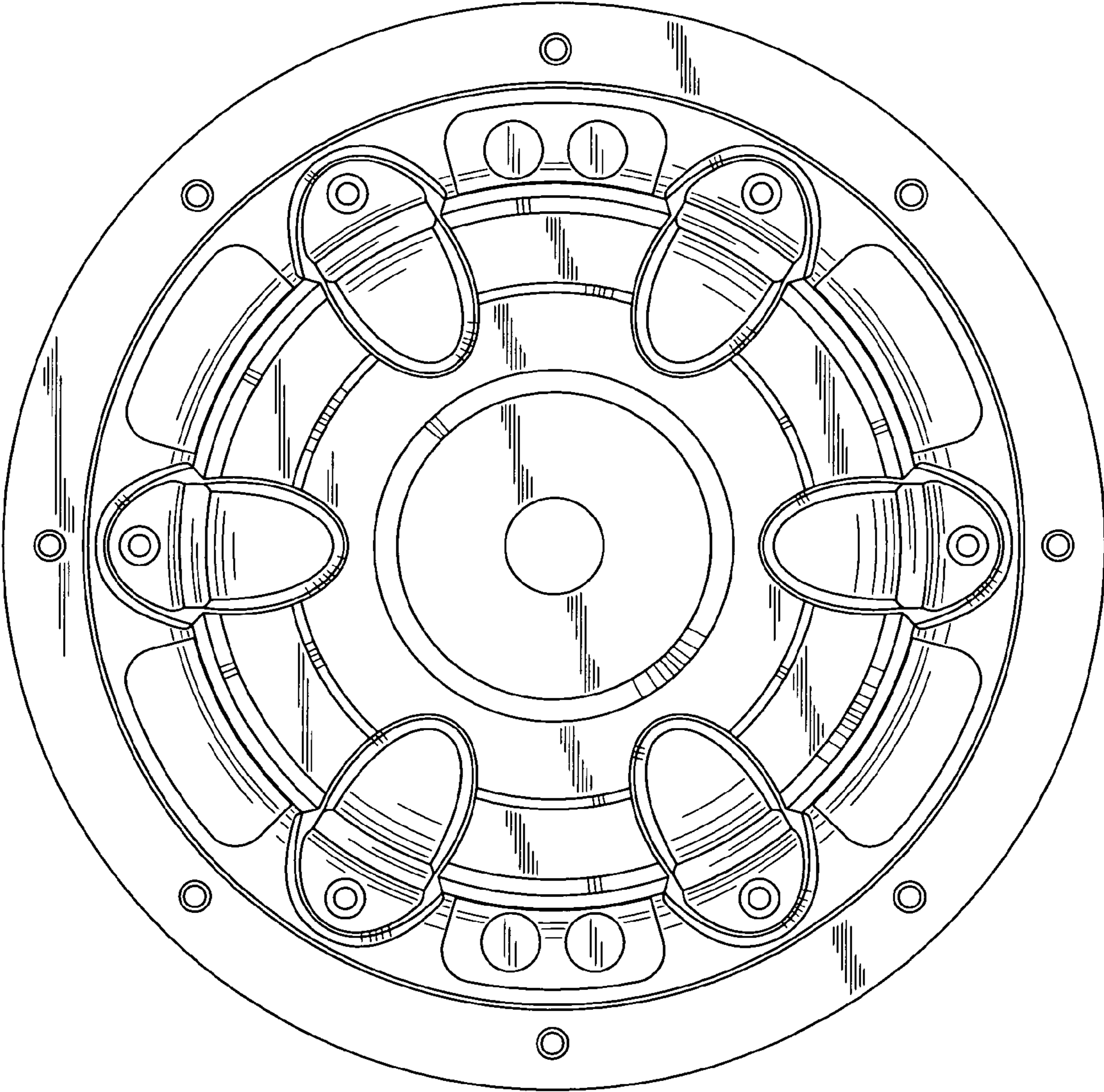


Fig.3

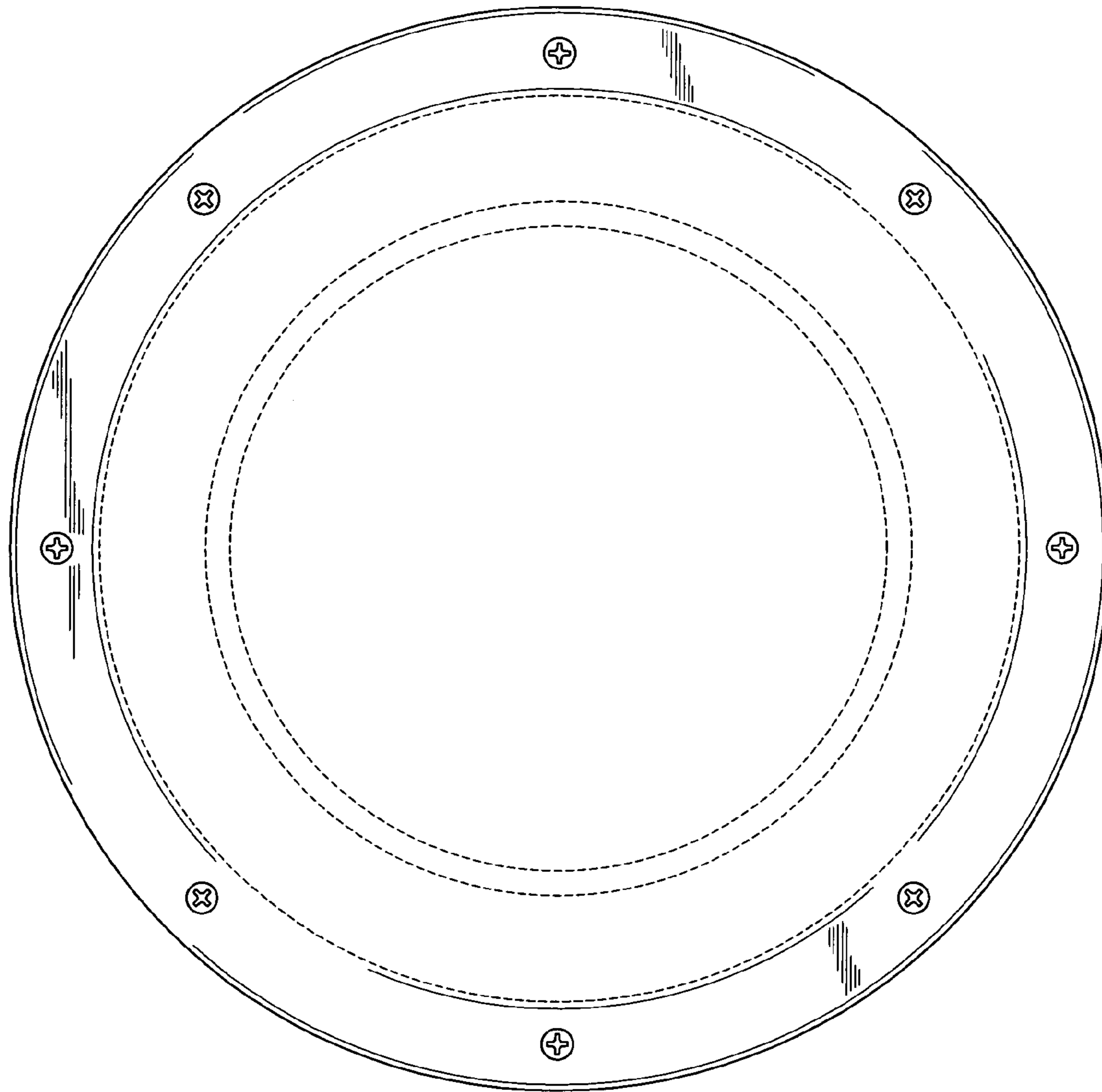


Fig.4

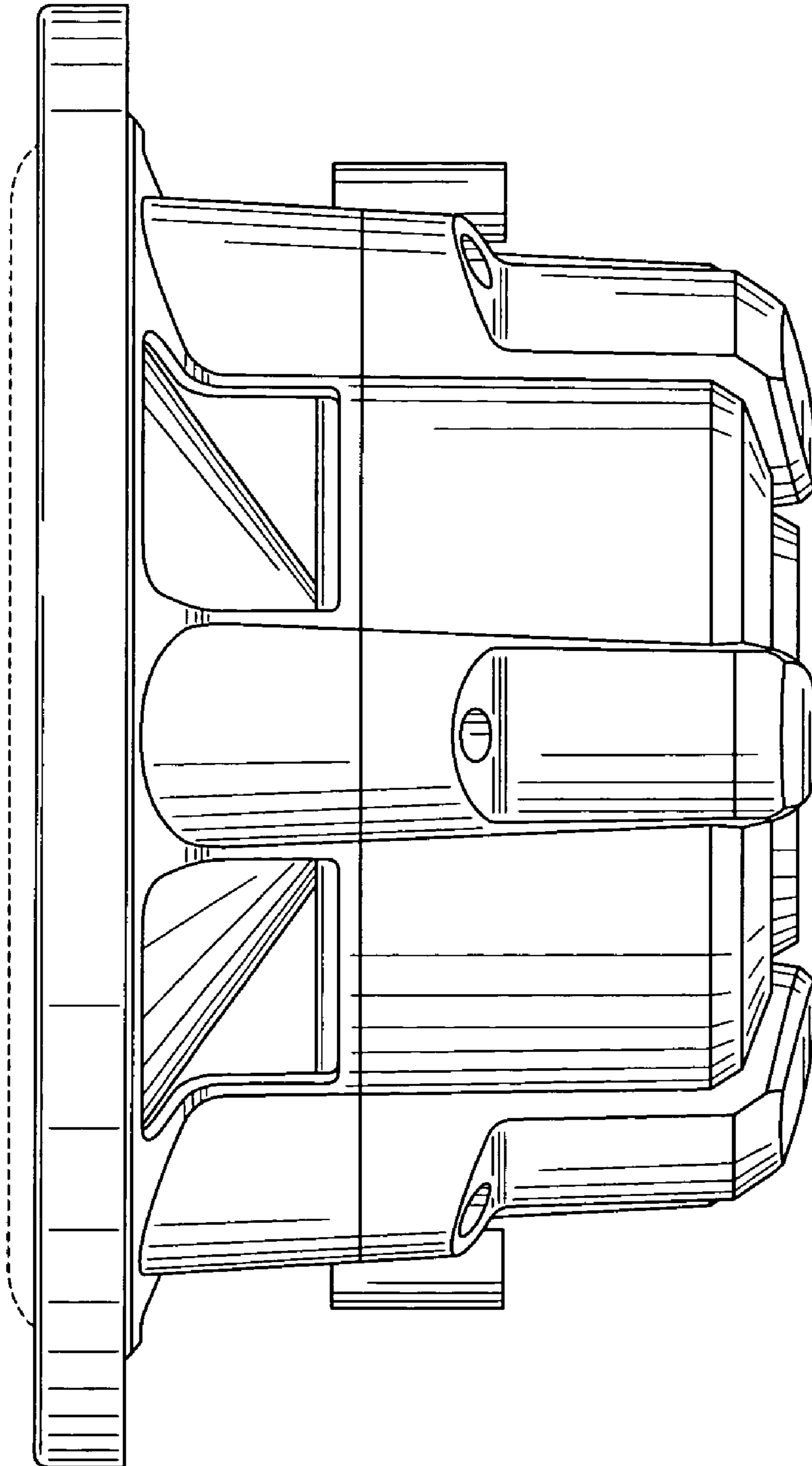


Fig.5

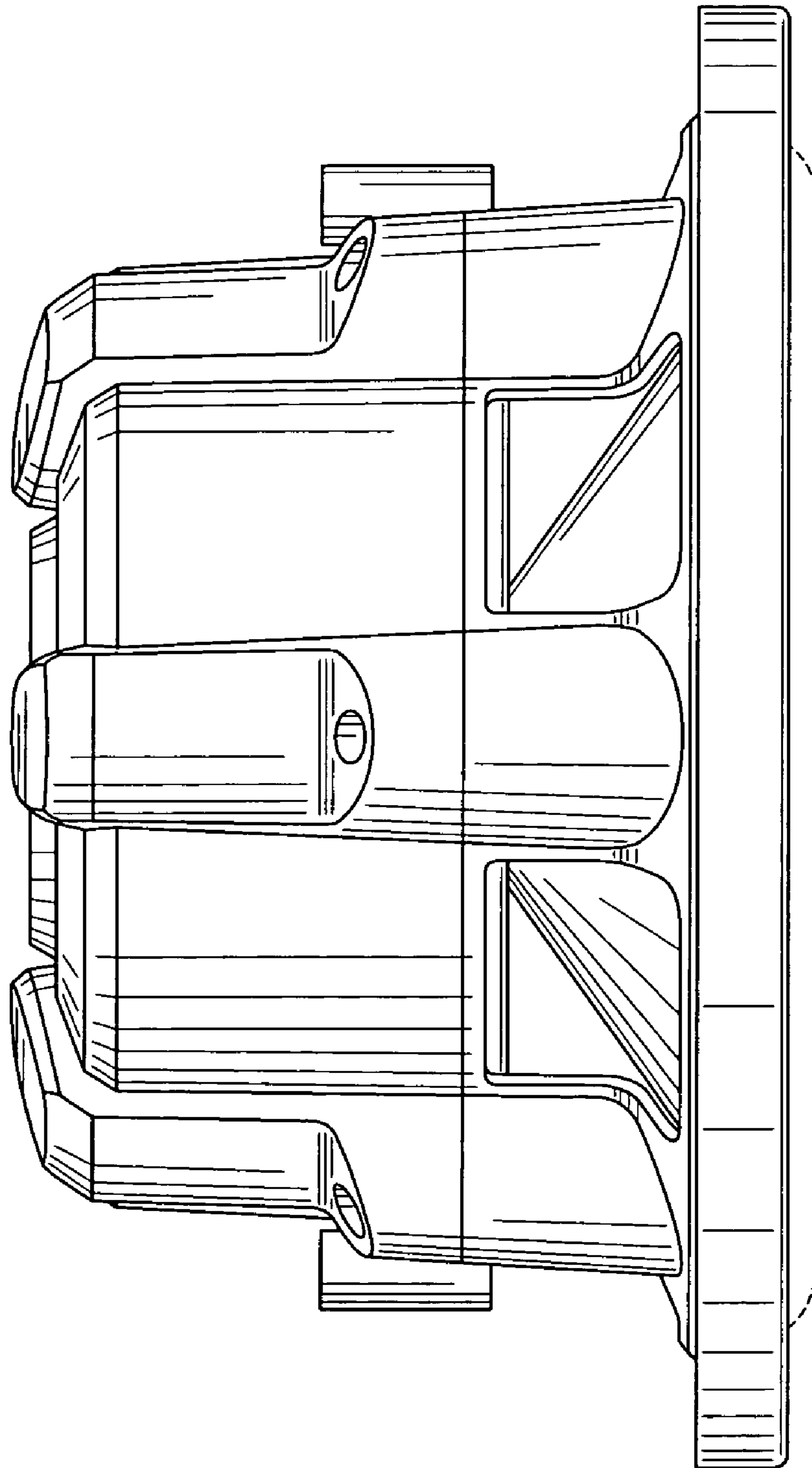


Fig.6

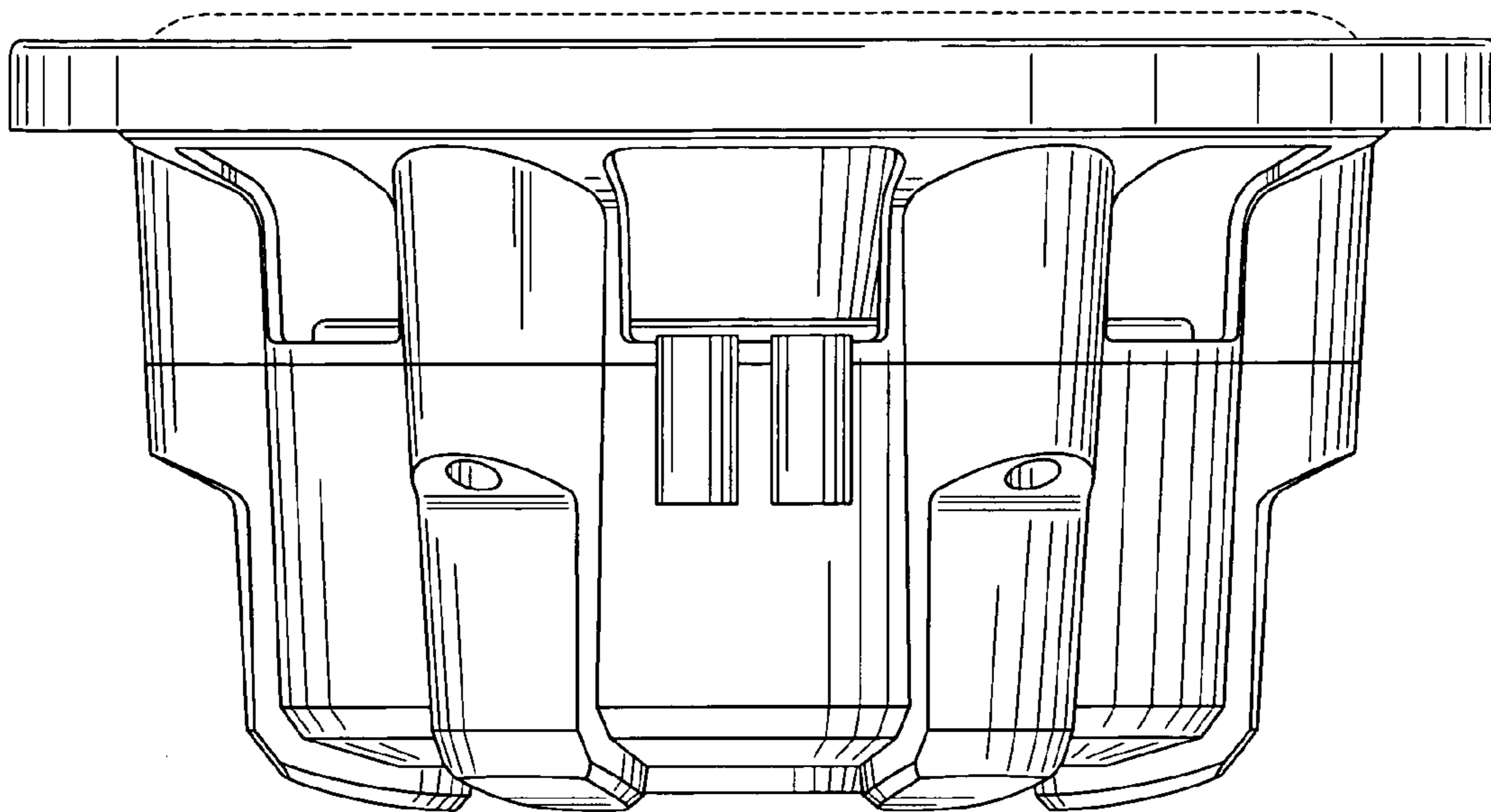


Fig.7

