



US00D580402S

(12) **United States Design Patent**
Lee et al.

(10) **Patent No.:** **US D580,402 S**
(45) **Date of Patent:** **** Nov. 11, 2008**

(54) **MOBILE PHONE**

(75) Inventors: **Byung-Chan Lee**, Seongnam-si (KR);
Joon-Suh Kim, Anyang-si (KR);
Gee-Hong Yoon, Seongnam-si (KR)

(73) Assignee: **Samsung Electronics Co., Ltd.**,
Suwon-Si (KR)

(**) Term: **14 Years**

(21) Appl. No.: **29/300,301**

(22) Filed: **Mar. 10, 2008**

(30) **Foreign Application Priority Data**

Nov. 30, 2007 (KR) 30-2007-0049817

(51) **LOC (8) Cl.** **14-03**

(52) **U.S. Cl.** **D14/138 AB**

(58) **Field of Classification Search** D14/138,
D14/496, 341-347; 455/575.3, 575.1
See application file for complete search history.

(56) **References Cited**

U.S. PATENT DOCUMENTS

D501,839 S *	2/2005	Lee et al.	D14/138
D519,098 S *	4/2006	Han et al.	D14/138
D537,059 S *	2/2007	Hwang	D14/138
D549,199 S *	8/2007	Sugiura	D14/138
D557,230 S *	12/2007	Kim et al.	D14/138
D558,169 S *	12/2007	Chung et al.	D14/138
D561,718 S *	2/2008	Kim et al.	D14/138
D563,365 S *	3/2008	Kim	D14/138
D563,927 S *	3/2008	Kim et al.	D14/138
D567,796 S *	4/2008	Jeong et al.	D14/138
D569,359 S *	5/2008	Park et al.	D14/138
D569,828 S *	5/2008	Lee et al.	D14/138
D570,814 S *	6/2008	Choi et al.	D14/138
D571,340 S *	6/2008	Song et al.	D14/138

D571,342 S *	6/2008	Cho et al.	D14/138
D571,344 S *	6/2008	Kim et al.	D14/138
D571,760 S *	6/2008	Choi et al.	D14/138
D571,771 S *	6/2008	Kim et al.	D14/138
D571,773 S *	6/2008	Kim et al.	D14/138
D572,224 S *	7/2008	Kim et al.	D14/138
D572,225 S *	7/2008	Choi et al.	D14/138
D572,226 S *	7/2008	Park et al.	D14/138
D573,127 S *	7/2008	Choi et al.	D14/138
D573,966 S *	7/2008	Park et al.	D14/138
D574,352 S *	8/2008	Cha et al.	D14/138

OTHER PUBLICATIONS

Samsung T409 telephone, announced Jun. 2007, [online], [site visited Aug. 19, 2008]. Available from Internet, <URL: <http://www.gsmarena.com>>.*

(Continued)

Primary Examiner—Jeffrey D Asch

(74) *Attorney, Agent, or Firm*—Staas & Halsey LLP

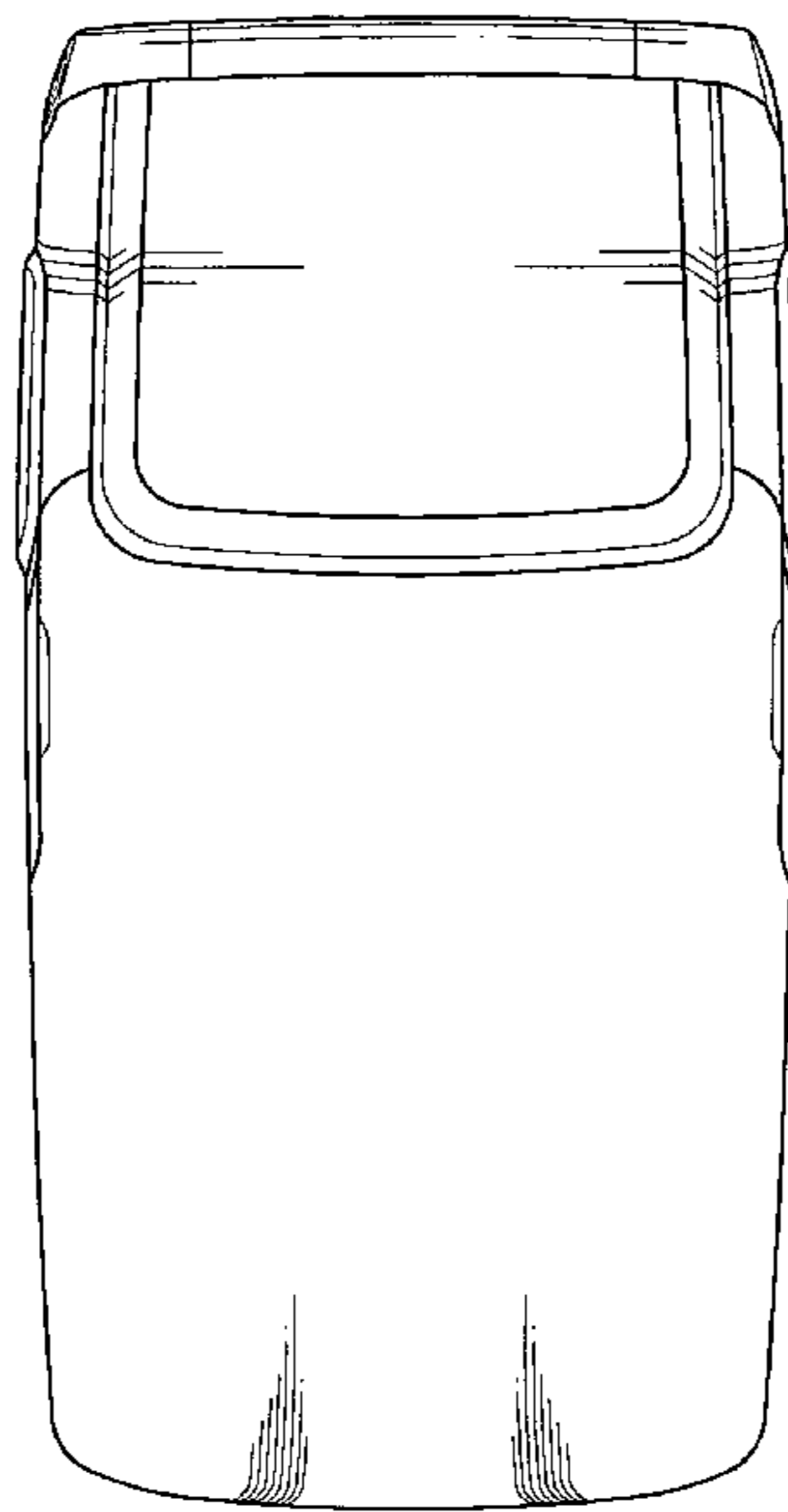
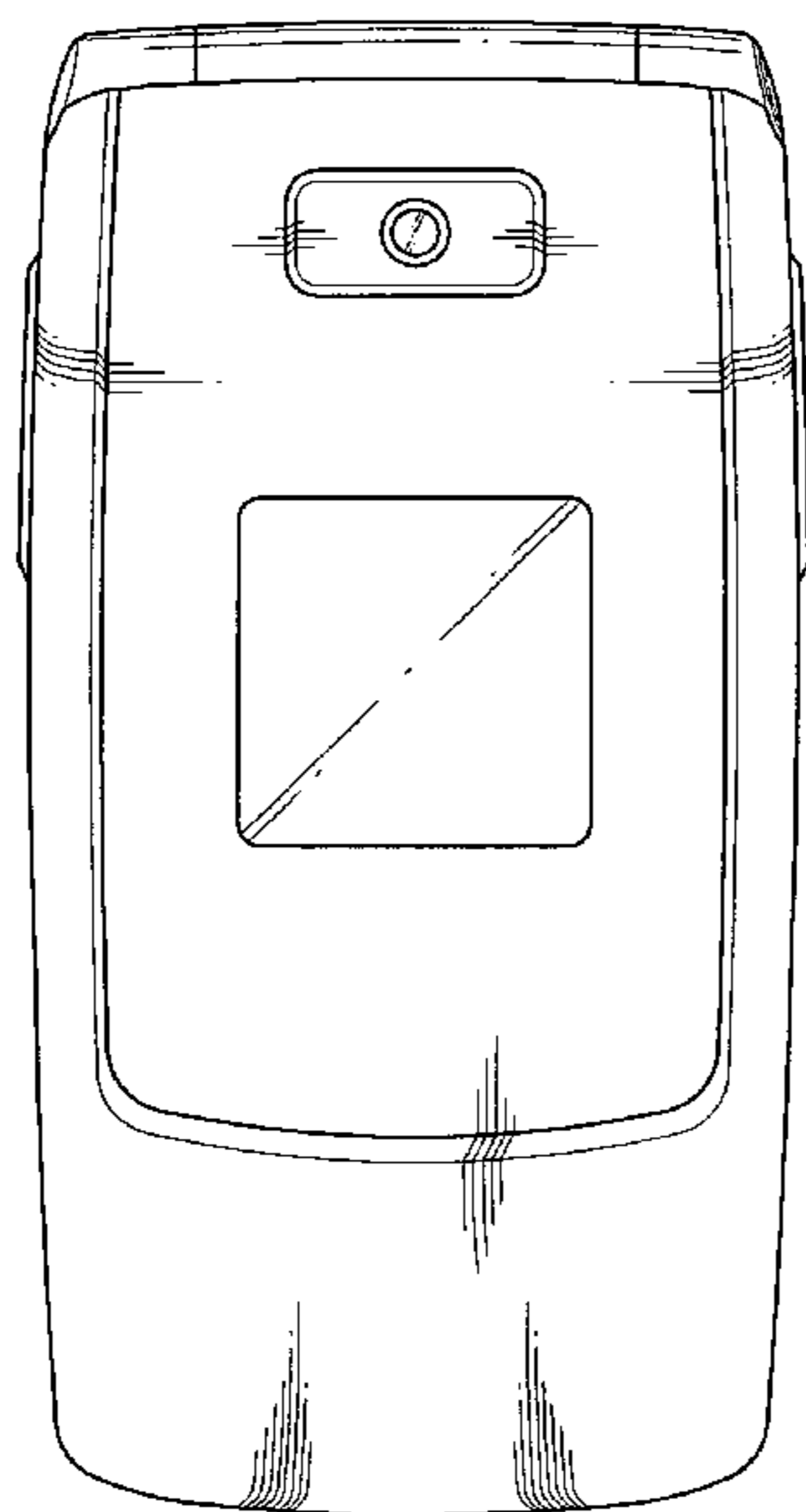
(57) **CLAIM**

The ornamental design for a mobile phone, as shown and described.

DESCRIPTION

FIG. 1 is a perspective view of a mobile phone;
FIG. 2 is a front view of the mobile phone of FIG. 1;
FIG. 3 is a rear view of the mobile phone of FIG. 1;
FIG. 4 is a left-side view of the mobile phone of FIG. 1;
FIG. 5 is a right-side view of the mobile phone of FIG. 1;
FIG. 6 is a top plan view of the mobile phone of FIG. 1;
FIG. 7 is a bottom plan view of the mobile phone of FIG. 1;
and,
FIG. 8 is an open perspective view of the mobile phone of FIG. 1.

1 Claim, 6 Drawing Sheets



OTHER PUBLICATIONS

LG KP210 telephone, announced Feb. 2008, [online], [site visited Aug. 19, 2008]. Available from Internet ,<URL: <http://www.gsmarena.com>>.*

LG F2250 telephone, announced 3rd quarter 2005, [online], [site visited Aug. 19, 2008]. Available from Internet ,<URL: <http://www.gsmarena.com>>.*

NEC N900iG telephone, announced 4th quarter 2004, [online], [site visited Aug. 19, 2008]. Available from Internet ,<URL: <http://www.gsmarena.com>>.*

NEC 802 telephone, announced 3rd quarter 2004, [online], [site visited Aug. 19, 2008]. Available from Internet ,<URL: <http://www.gsmarena.com>>.*

* cited by examiner

FIG. 1

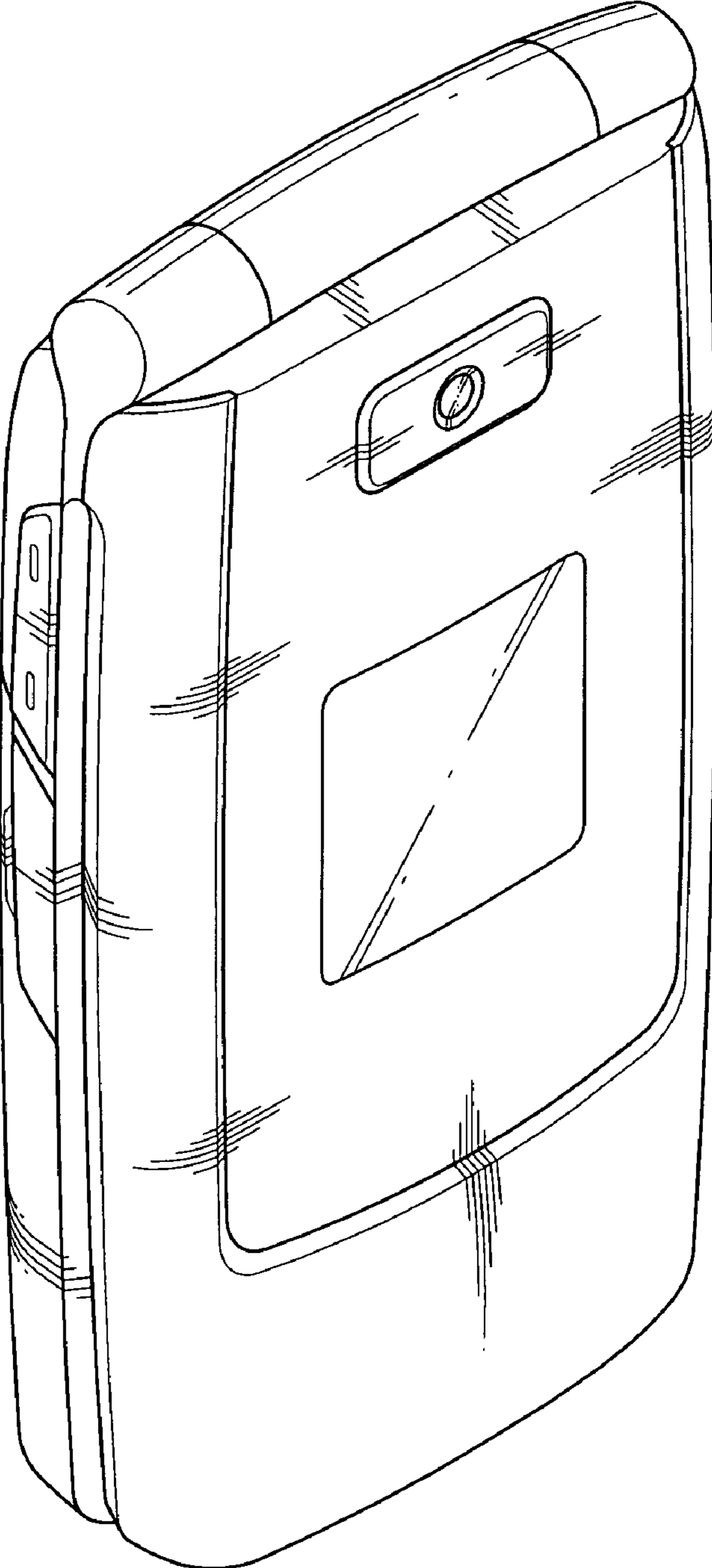


FIG. 2

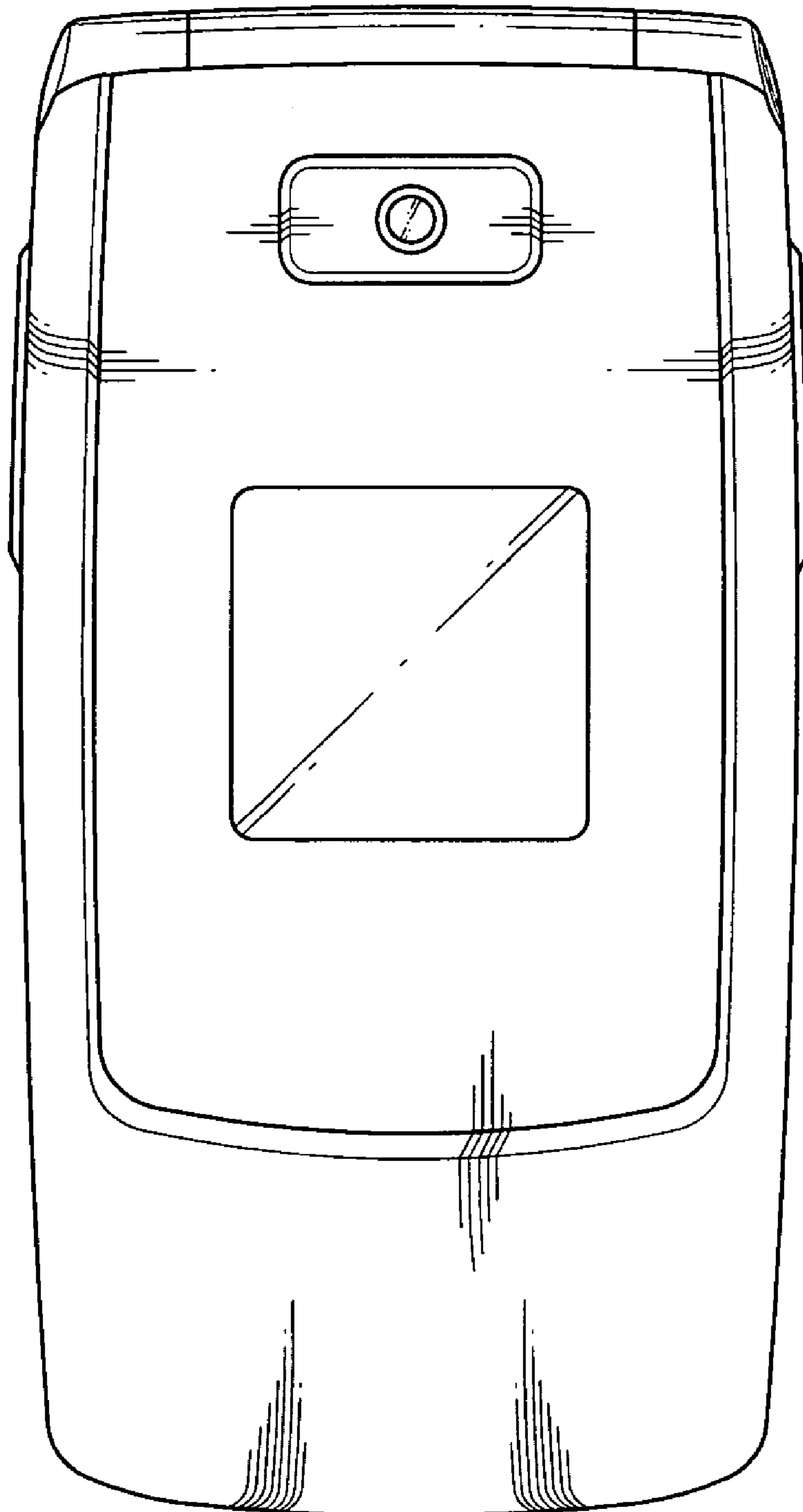


FIG. 3

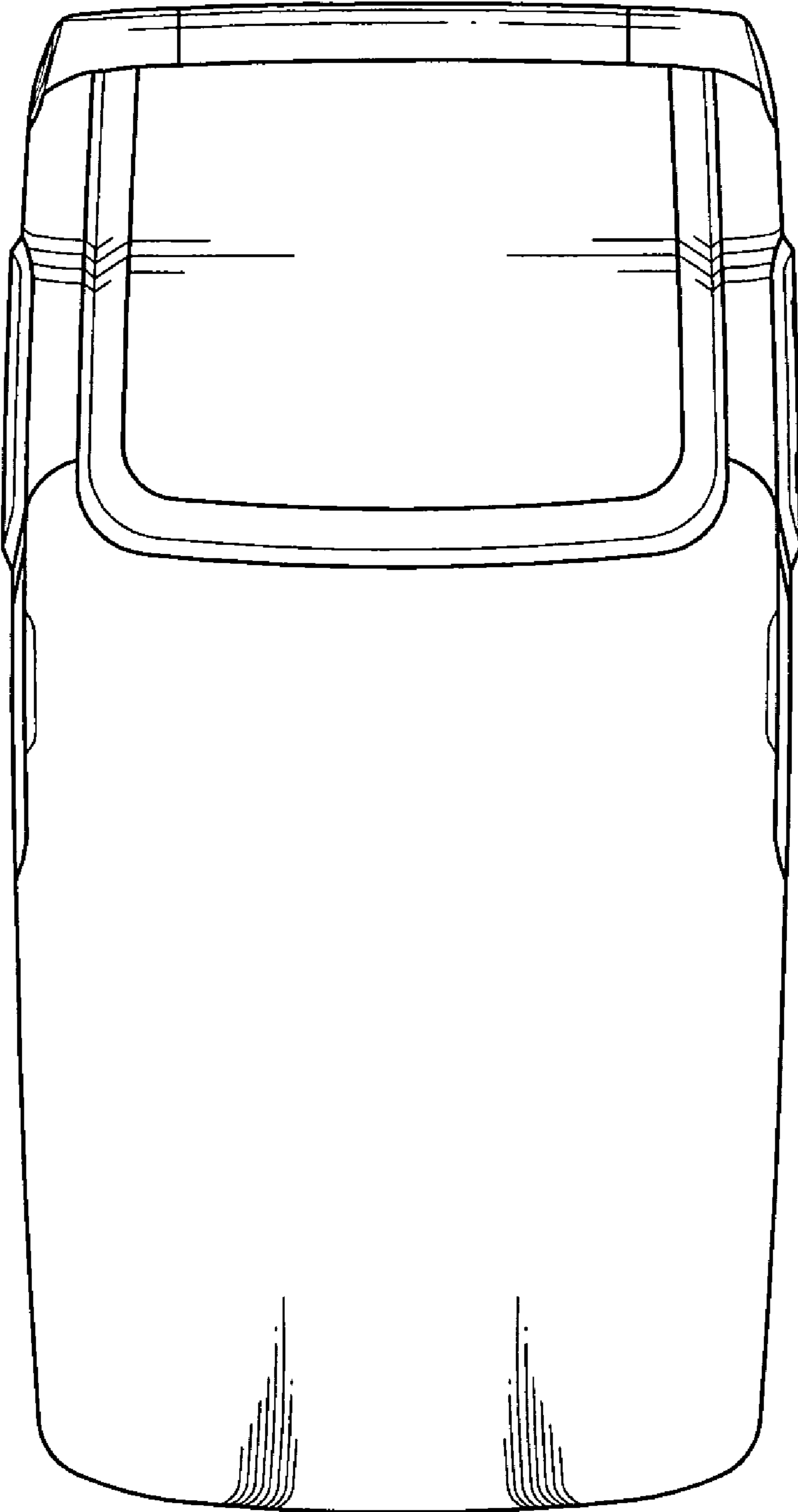


FIG. 4

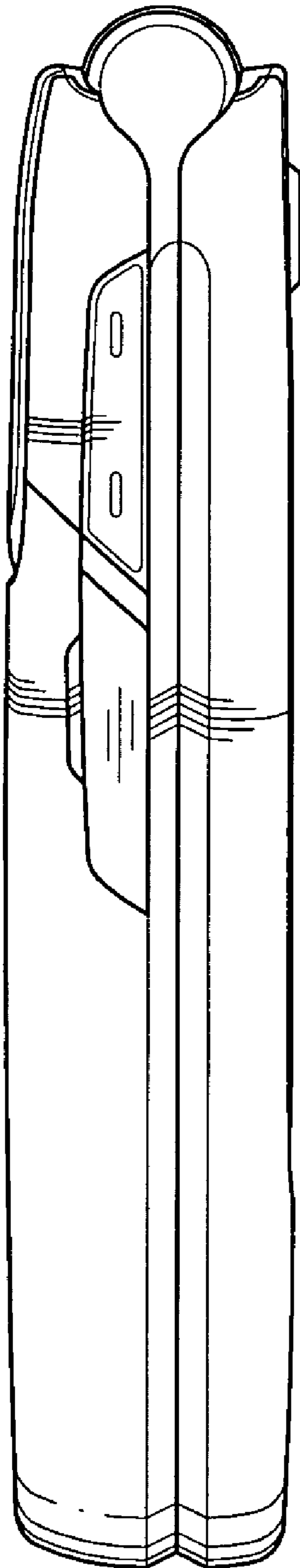


FIG. 5

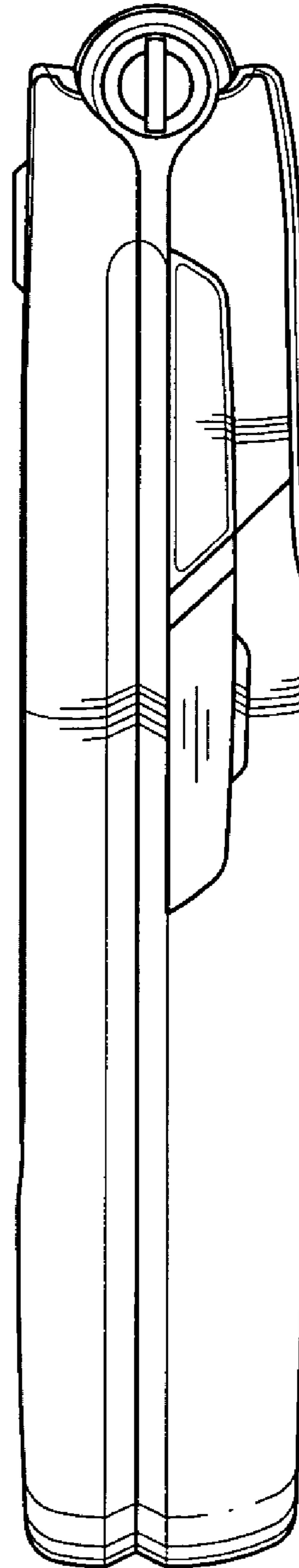


FIG. 6

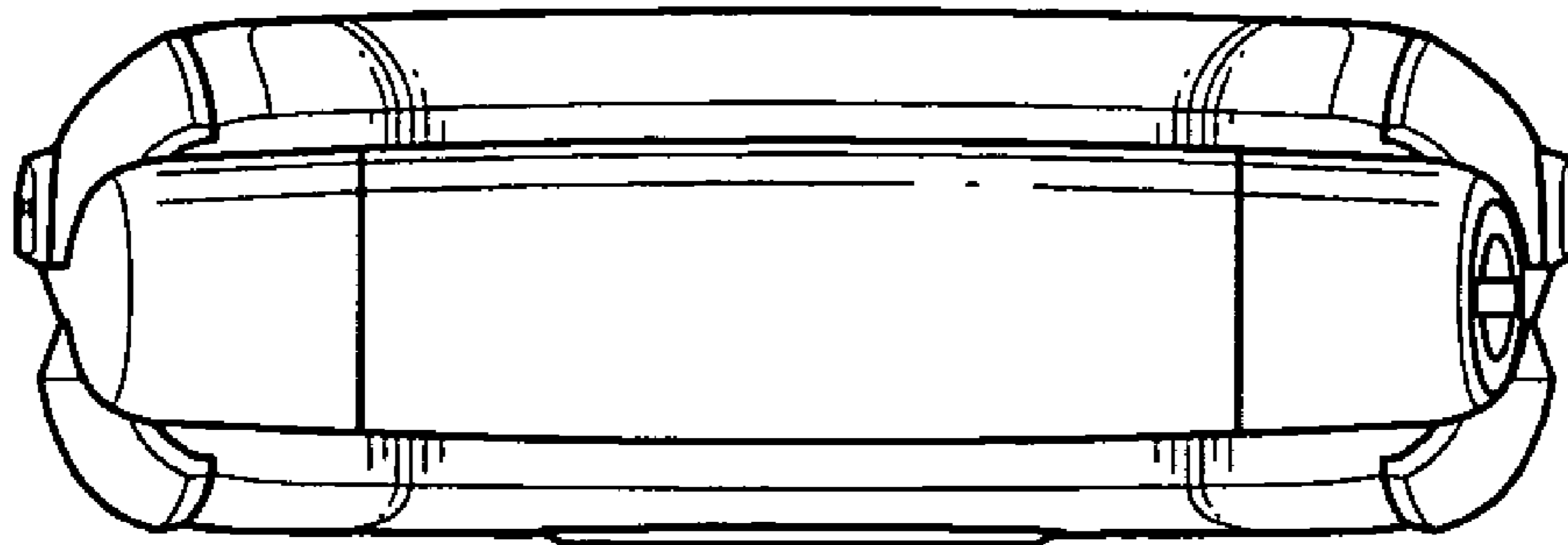


FIG. 7

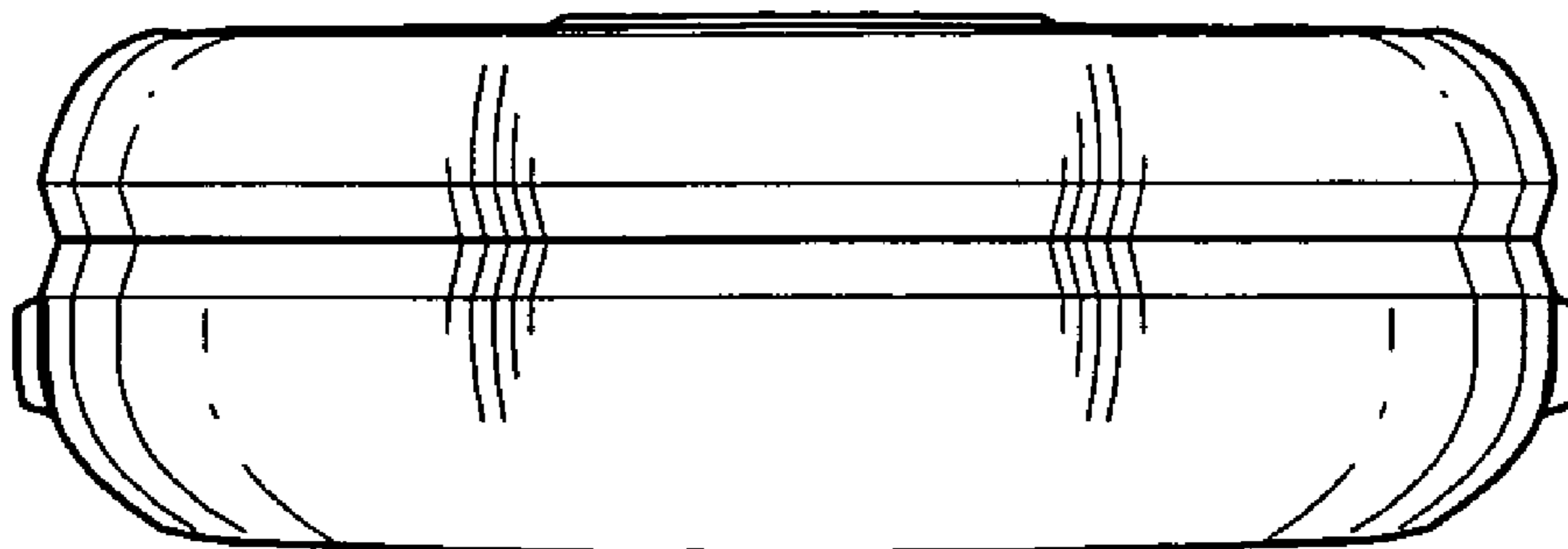


FIG. 8

