



US00D580401S

(12) **United States Design Patent**  
**Kim et al.**

(10) **Patent No.:** **US D580,401 S**

(45) **Date of Patent:** **\*\* Nov. 11, 2008**

(54) **MOBILE PHONE**

(75) Inventors: **Sung-Kwon Kim**, Seoul (KR);  
**Seung-Min Park**, Seoul (KR);  
**Chang-Hwan Hwang**, Goyang-si (KR)

(73) Assignee: **Samsung Electronics Co., Ltd.**,  
Suwon-Si (KR)

(\*\*) Term: **14 Years**

(21) Appl. No.: **29/300,300**

(22) Filed: **Mar. 10, 2008**

(30) **Foreign Application Priority Data**

Nov. 26, 2007 (KR) ..... 30-2007-0048931

(51) **LOC (8) Cl.** ..... **14-03**

(52) **U.S. Cl.** ..... **D14/138 AD; D14/138 G**

(58) **Field of Classification Search** ..... D14/137,  
D14/138, 147, 191, 218, 247-248, 341-347,  
D14/496; D10/65, 78, 104; D13/168; D18/7;  
455/556.1, 566, 575.1, 575.3; 345/169  
See application file for complete search history.

(56) **References Cited**

**U.S. PATENT DOCUMENTS**

D337,569 S \* 7/1993 Kando ..... D14/341  
D519,116 S \* 4/2006 Tanaka et al. .... D14/341  
D524,809 S \* 7/2006 Alcouloumre et al. .... D14/341  
D532,791 S \* 11/2006 Kim ..... D14/496  
D541,785 S \* 5/2007 Hwang et al. .... D14/138  
D548,713 S \* 8/2007 Lee et al. .... D14/138  
D554,099 S \* 10/2007 Kim et al. .... D14/138  
D556,211 S \* 11/2007 Howard ..... D14/496  
D558,720 S \* 1/2008 Lee et al. .... D14/138

D558,757 S \* 1/2008 Andre et al. .... D14/341  
D562,285 S \* 2/2008 Lim ..... D14/138  
D562,292 S \* 2/2008 Park ..... D14/138  
D562,795 S \* 2/2008 Nara ..... D14/138  
D565,978 S \* 4/2008 Stevens et al. .... D10/65

(Continued)

**OTHER PUBLICATIONS**

HTC P4350, announced Nov. 2006, [online], [retrieved on Jun. 6, 2008]. Retrieved from Internet ,<URL: <http://www.gsmarena.com>>.\*

(Continued)

*Primary Examiner*—Jeffrey D Asch  
*Assistant Examiner*—Bridget L Eland  
(74) *Attorney, Agent, or Firm*—Staas & Halsey LLP

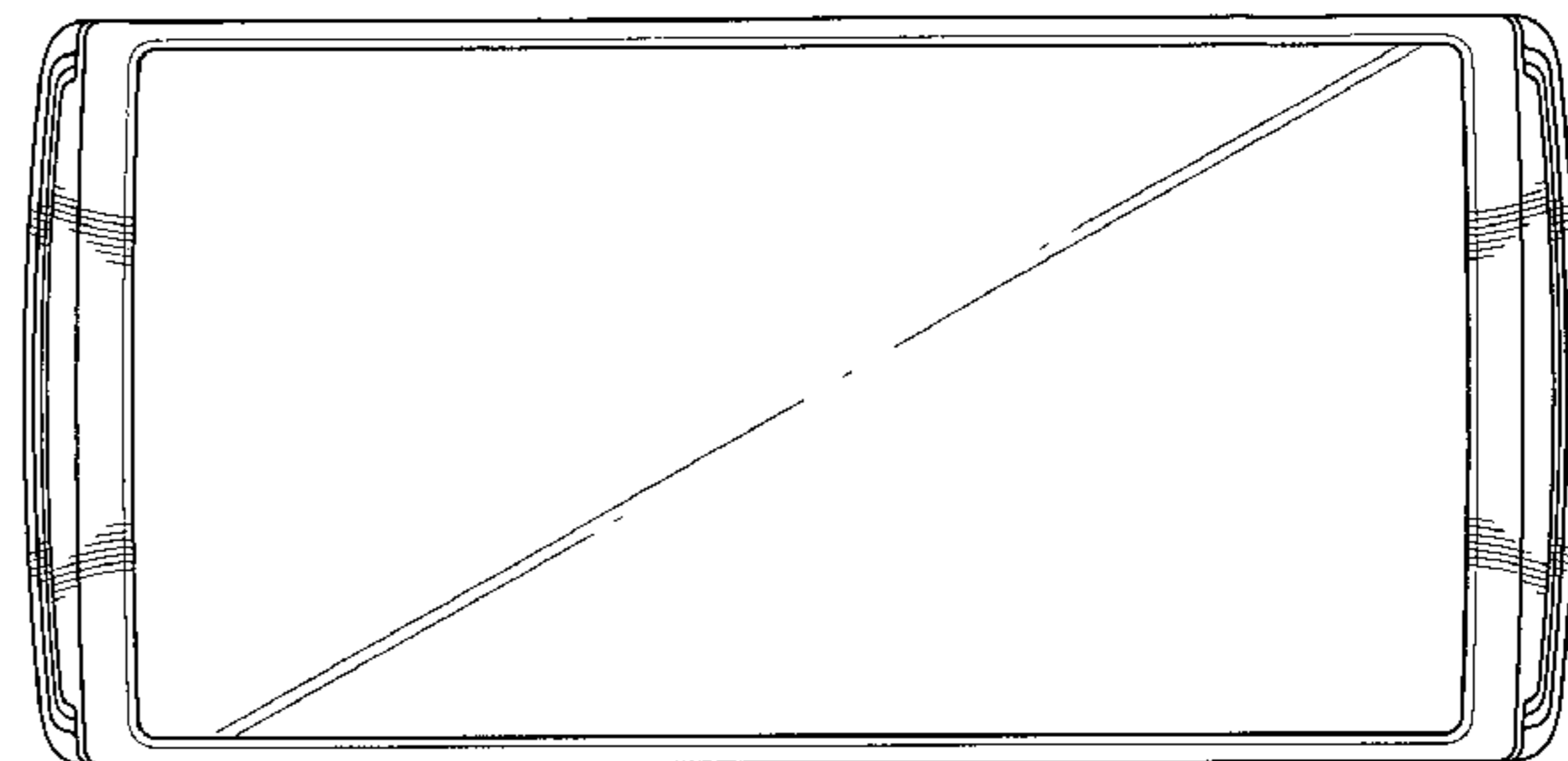
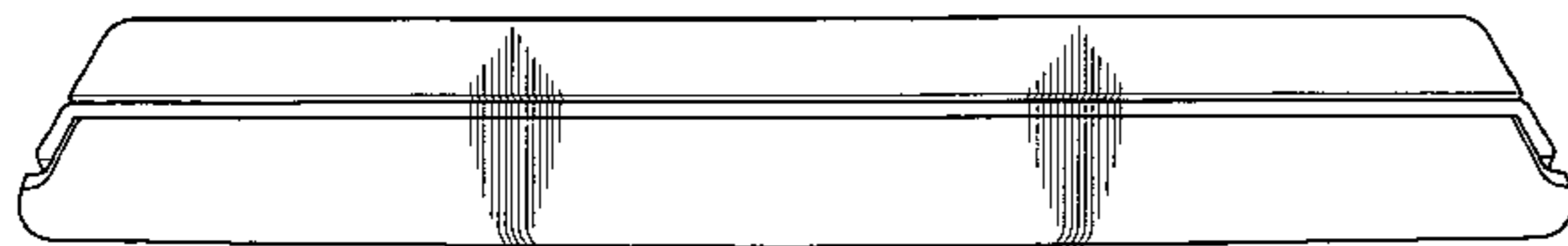
(57) **CLAIM**

The ornamental design for a mobile phone, as shown and described.

**DESCRIPTION**

FIG. 1 is a perspective view of a mobile phone;  
FIG. 2 is a front view of the mobile phone of FIG. 1;  
FIG. 3 is a rear view of the mobile phone of FIG. 1;  
FIG. 4 is a left-side view of the mobile phone of FIG. 1;  
FIG. 5 is a right-side view of the mobile phone of FIG. 1;  
FIG. 6 is a top plan view of the mobile phone of FIG. 1;  
FIG. 7 is a bottom plan view of the mobile phone of FIG. 1;  
and,  
FIG. 8 is an open perspective view of the mobile phone of FIG. 1.

**1 Claim, 4 Drawing Sheets**



# US D580,401 S

Page 2

---

## U.S. PATENT DOCUMENTS

D568,286 S \* 5/2008 Suk et al. .... D14/138  
D569,837 S \* 5/2008 Baik et al. .... D14/138  
D571,234 S \* 6/2008 Reeson et al. .... D10/65  
D572,227 S \* 7/2008 Yoon et al. .... D14/138  
D573,143 S \* 7/2008 Park et al. .... D14/341  
D575,259 S \* 8/2008 Kim et al. .... D14/138  
D575,760 S \* 8/2008 Kim et al. .... D14/138  
2003/0125094 A1 \* 7/2003 Hyun et al. .... 455/566  
2007/0020992 A1 \* 1/2007 Hyun et al. .... 439/500  
2007/0080950 A1 \* 4/2007 Lee et al. .... 345/169  
2008/0051161 A1 \* 2/2008 Tashiro ..... 455/575.1

2008/0132288 A1\* 6/2008 Misawa ..... 455/566

## OTHER PUBLICATIONS

LG KF700, announced Feb. 2008, [online], [retrieved on Mar. 21, 2008]. Retrieved from Internet ,<URL: <http://www.gsmarena.com>>.\*

Samsung F520, announced Feb. 2007, [online], [retrieved on Feb. 16, 2007]. Retrieved from Internet ,<URL: <http://www.gsmarena.com>>.\*

Samsung F490, announced Jan. 2008, [online], [retrieved on Jan. 18, 2008]. Retrieved from Internet ,<URL: <http://www.gsmarena.com>>.\*

\* cited by examiner

FIG. 1

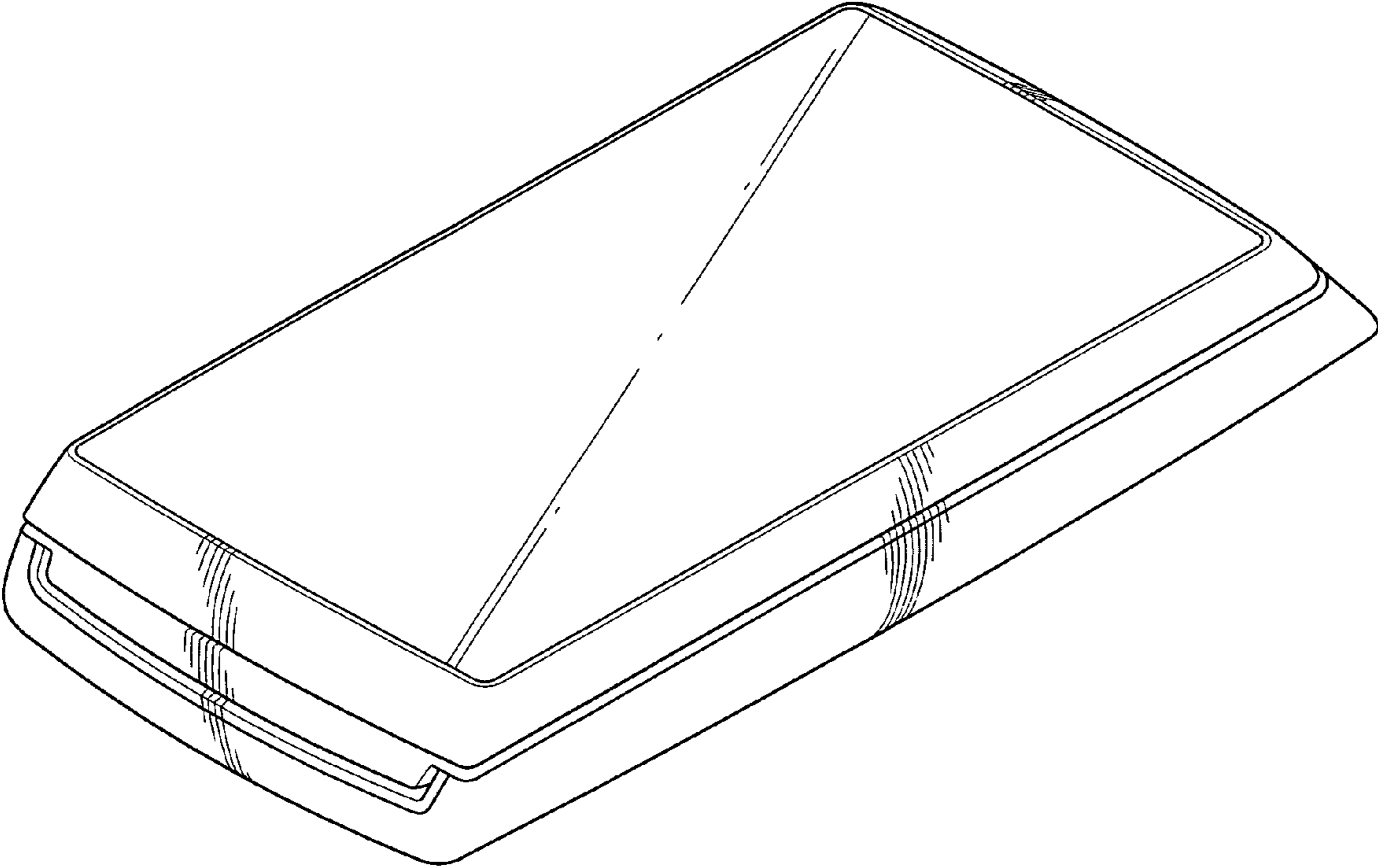


FIG. 2

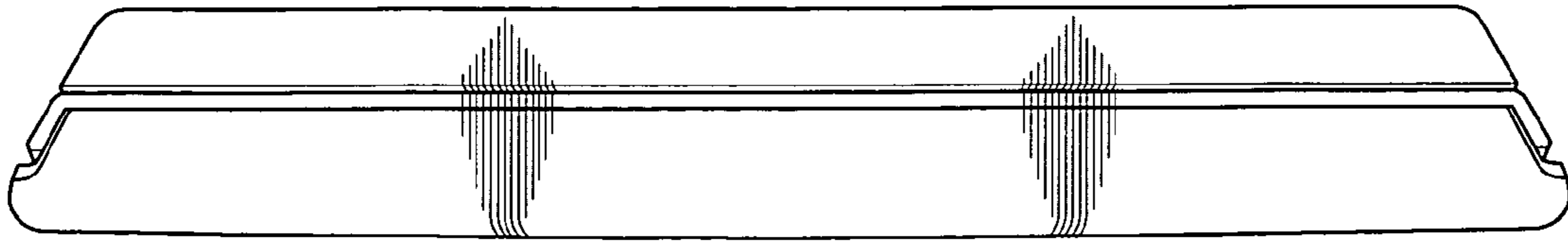


FIG. 3

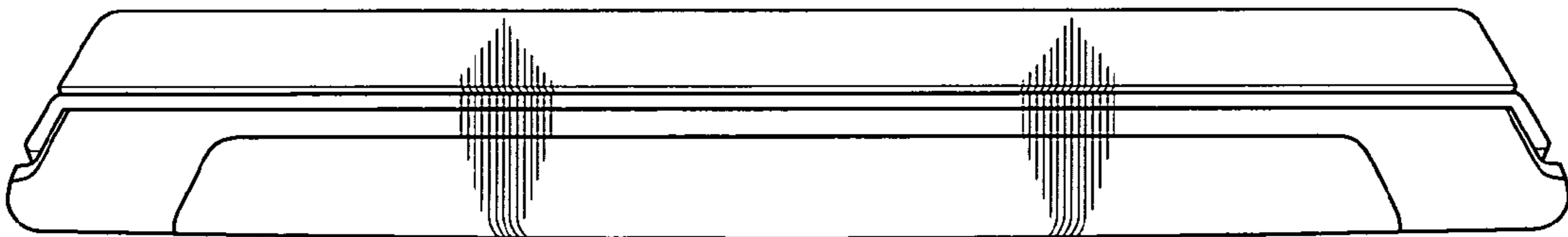


FIG. 4

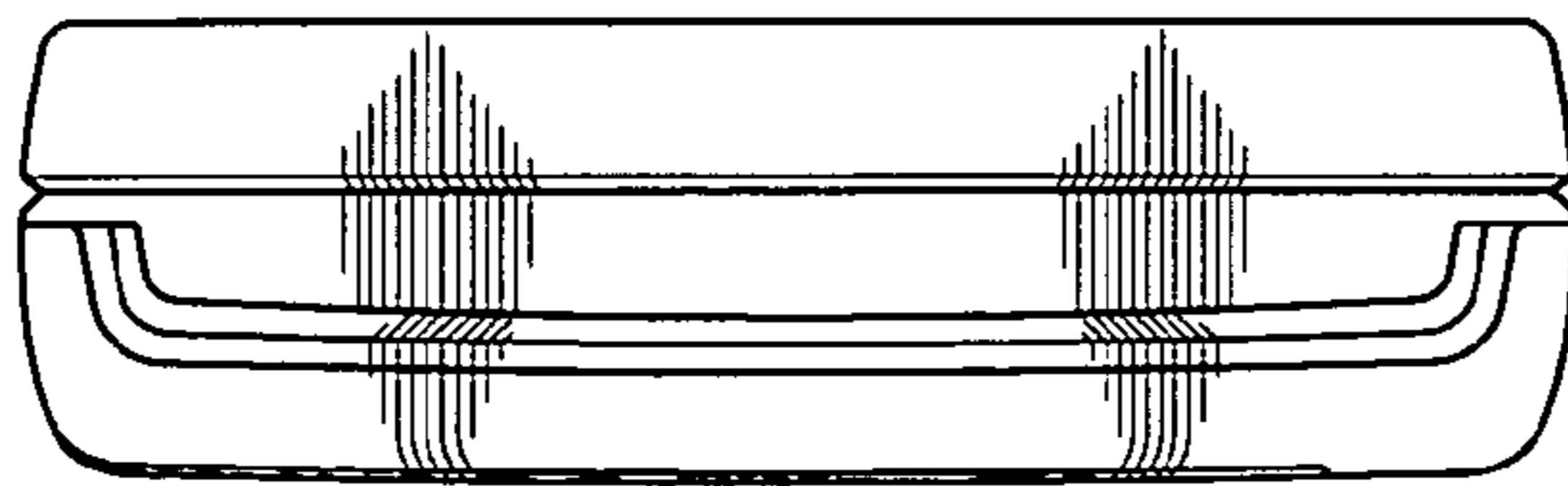


FIG. 5

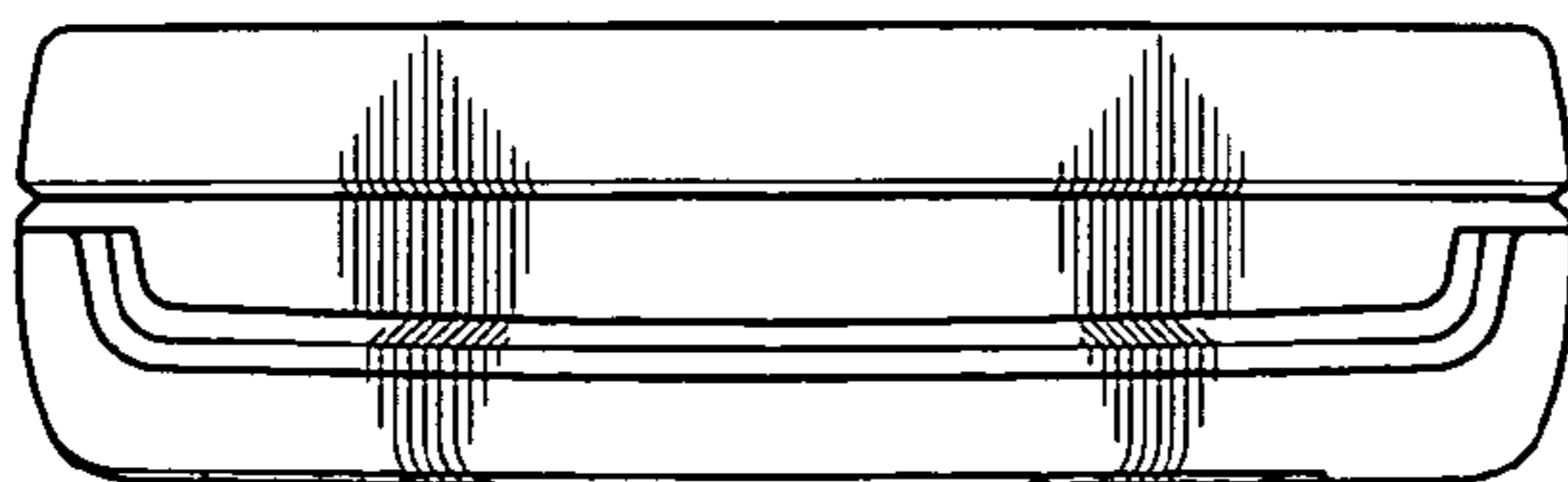


FIG. 6

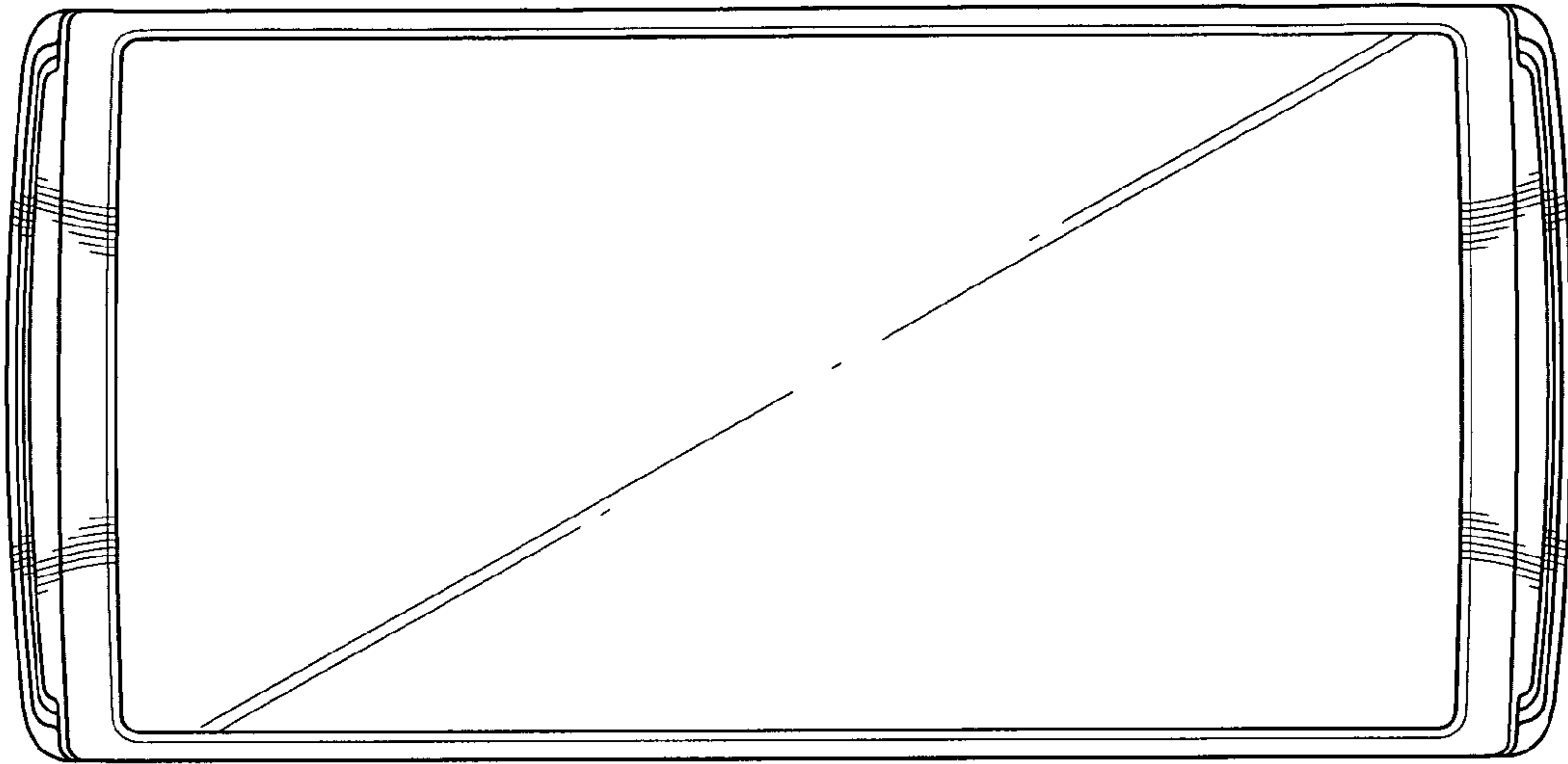
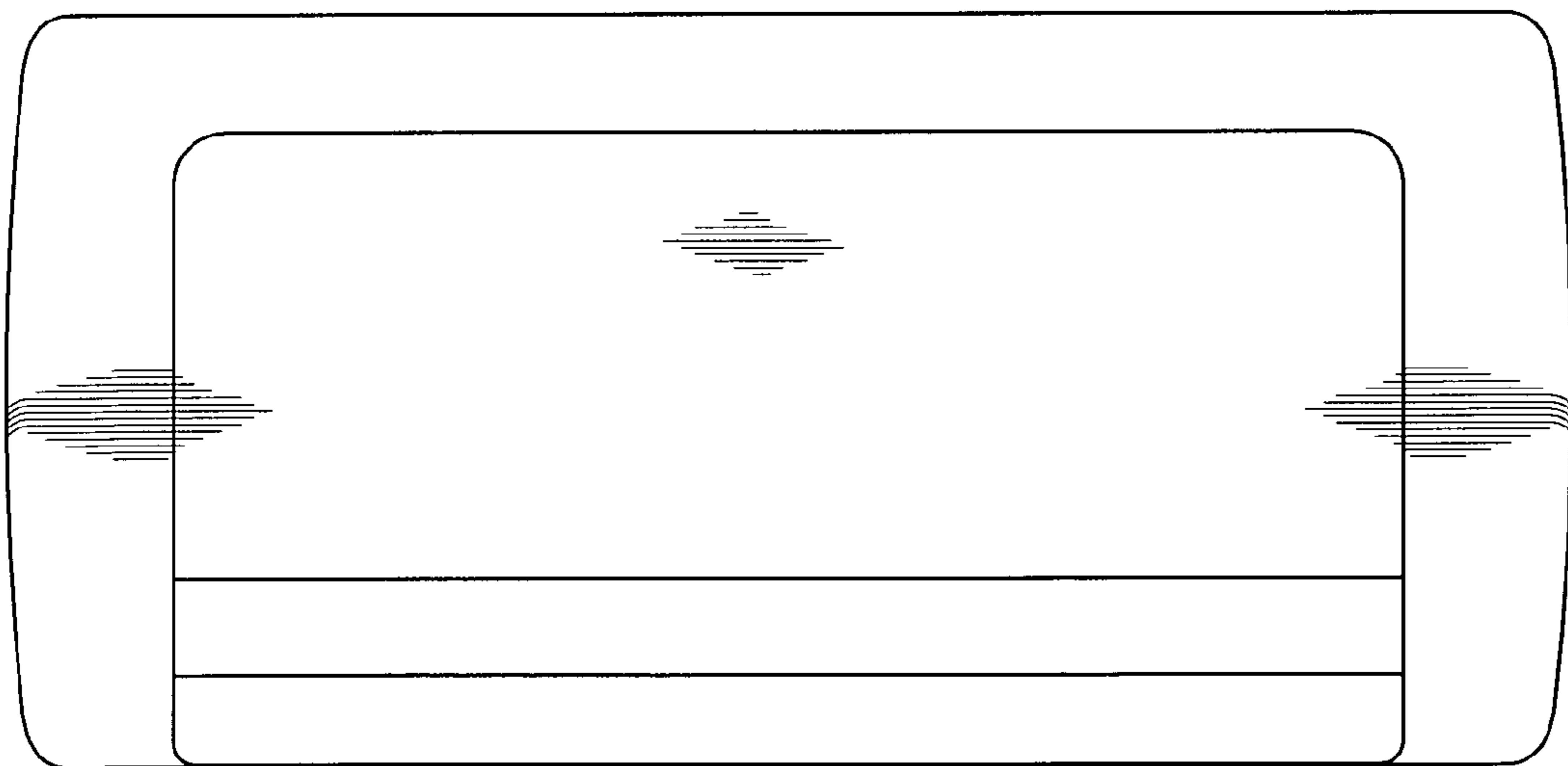


FIG. 7



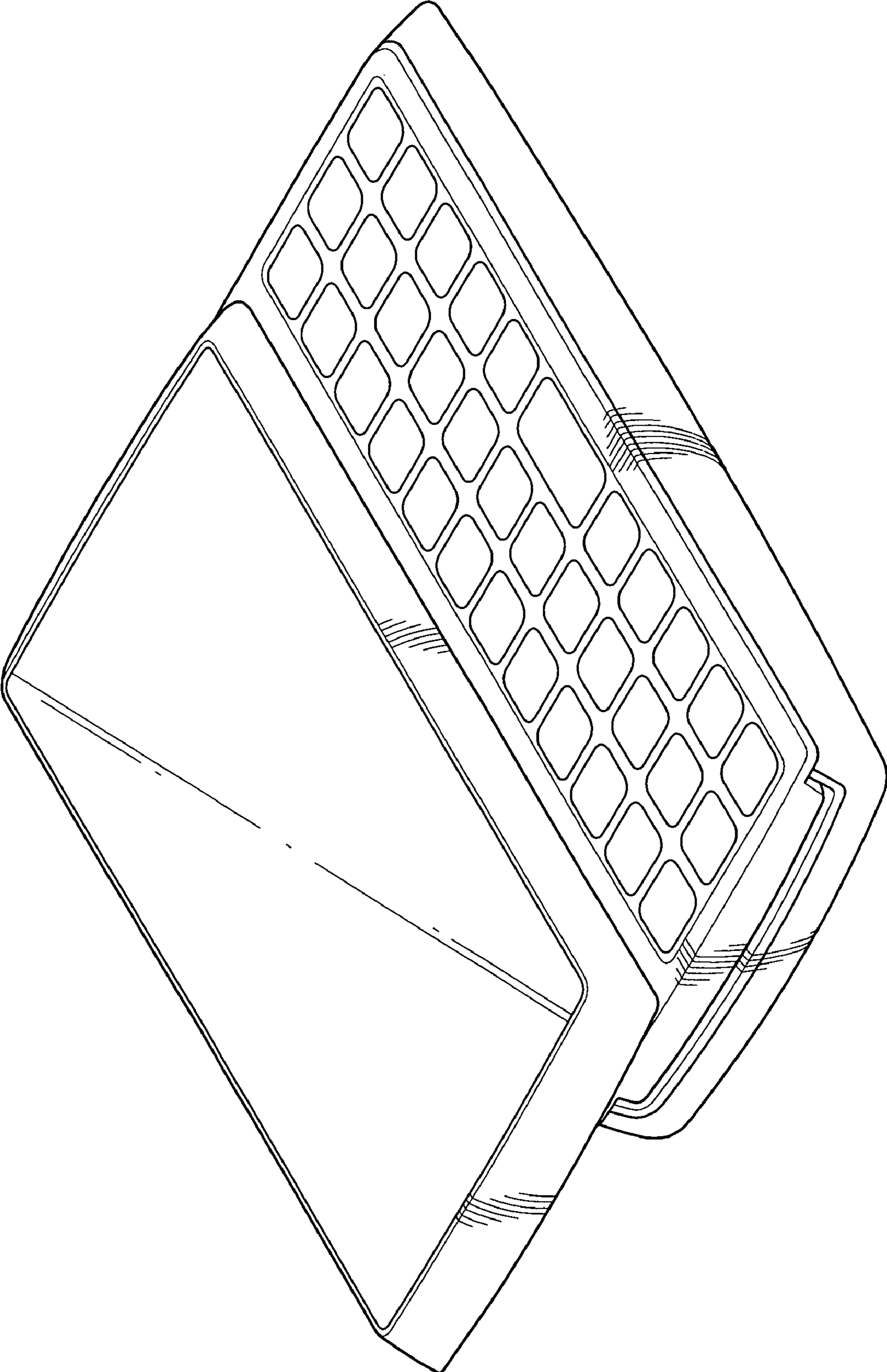


FIG. 8