



US00D580394S

(12) **United States Design Patent**
Kim et al.

(10) **Patent No.:** **US D580,394 S**
(45) **Date of Patent:** **** Nov. 11, 2008**

(54) **PORTABLE TELEPHONE**

(75) Inventors: **Young-Se Kim**, Palo Alto, CA (US);
Ji-Eun Lee, Seoul (KR); **Young-Ju Yeo**,
Seoul (KR); **Chang-Soo Lee**, Incheon
(KR)

(73) Assignee: **Samsung Electronics Co., Ltd.**,
Kyunggi-do (KR)

(**) Term: **14 Years**

(21) Appl. No.: **29/294,050**

(22) Filed: **Dec. 20, 2007**

(51) **LOC (8) Cl.** **14-03**

(52) **U.S. Cl.** **D14/138**

(58) **Field of Classification Search** D14/137,
D14/138, 147, 191, 218, 247-248, 341-347,
D14/496; D10/65, 78, 104; D13/168; D18/7;
455/556.1, 566, 575.1, 575.3; 345/169
See application file for complete search history.

(56) **References Cited**

U.S. PATENT DOCUMENTS

D359,920 S *	7/1995	Sakamoto	D10/65
D416,237 S *	11/1999	Miyahara et al.	D14/346
D420,987 S *	2/2000	Miyahara et al.	D14/346
D442,583 S *	5/2001	Ohta et al.	D14/346
D501,207 S *	1/2005	Ohta et al.	D14/346
6,909,907 B1 *	6/2005	Oyang et al.	455/556.1
D507,003 S *	7/2005	Pai et al.	D14/496
6,952,414 B1 *	10/2005	Willig	370/352
D518,472 S *	4/2006	Byun et al.	D14/191
D519,523 S *	4/2006	Chiu et al.	D14/496
D521,527 S *	5/2006	Lee	D14/496
7,050,044 B2 *	5/2006	Liu	345/169
D523,446 S *	6/2006	Peng	D14/496
D525,959 S	8/2006	Kim et al.		
D528,528 S	9/2006	Moon et al.		
D531,068 S *	10/2006	Fan	D10/65
D531,156 S *	10/2006	Ahn et al.	D14/138
D534,143 S	12/2006	Lheem		
D534,888 S	1/2007	Kim et al.		

D536,690 S	2/2007	Lee		
D546,795 S	7/2007	Kim et al.		
D548,214 S	8/2007	Kim et al.		
D553,113 S	10/2007	Cha et al.		
D553,153 S *	10/2007	Kim	D14/496
D555,137 S	11/2007	Kim et al.		
D559,826 S	1/2008	Lee		
D560,188 S	1/2008	Lee et al.		
D560,199 S	1/2008	Lee et al.		
D560,644 S	1/2008	Choi et al.		
D561,727 S	2/2008	Suk et al.		
D564,499 S *	3/2008	Ohta	D14/218
D567,795 S *	4/2008	Cha et al.	D14/138
2003/0069039 A1 *	4/2003	Lin et al.	455/556
2005/0044510 A1 *	2/2005	Yi	715/864

OTHER PUBLICATIONS

Siemens SX45, announced 2001, [online], [retrieved on Feb. 20, 2007]. Retrieved from Internet ,<URL: <http://www.gsmarena.com>>.*

(Continued)

Primary Examiner—Jeffrey D. Asch
Assistant Examiner—Bridget L Eland

(74) *Attorney, Agent, or Firm*—Flynn, Thiel, Boutell & Tanis, P.C.

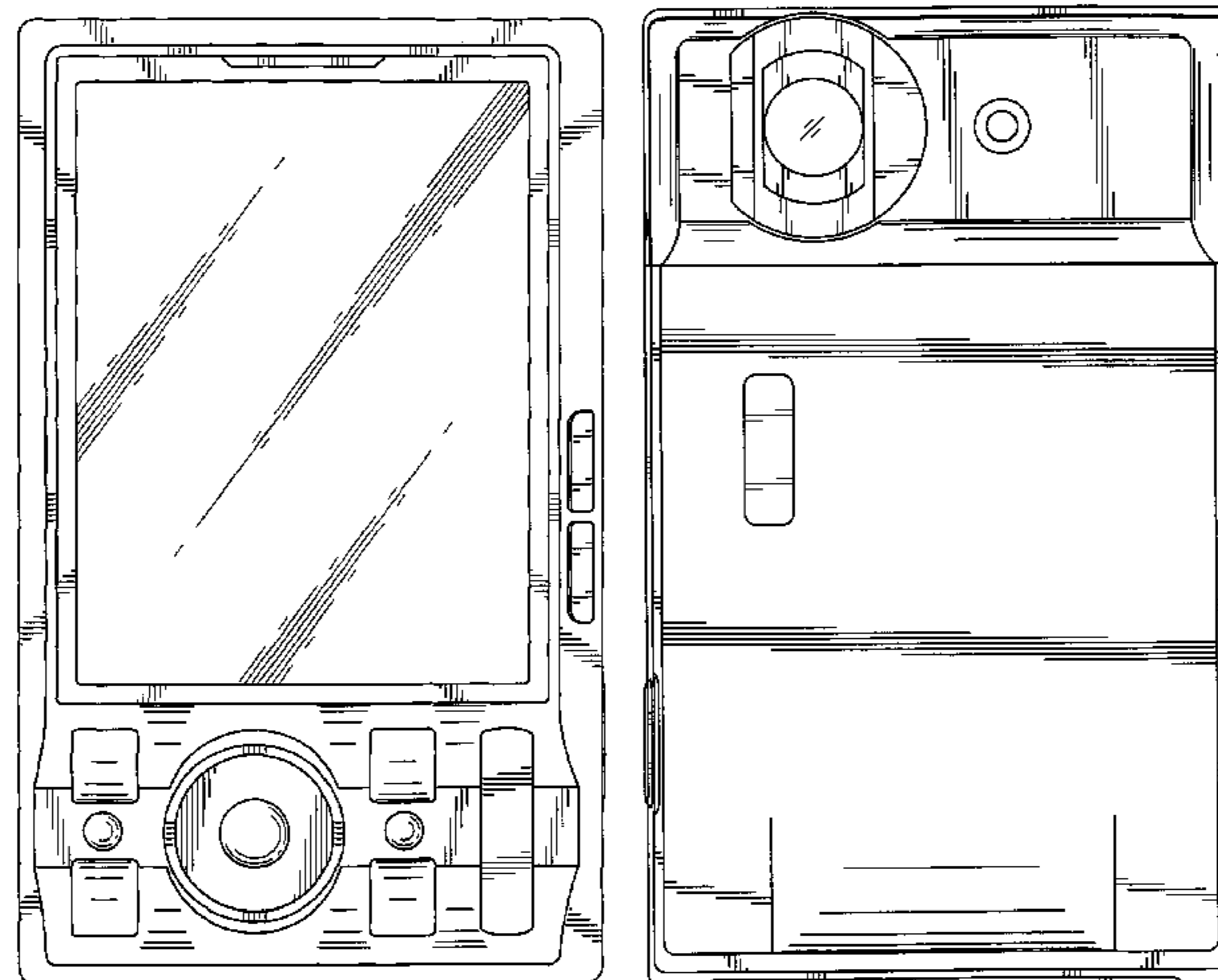
(57) **CLAIM**

The ornamental design for a portable telephone, as shown and described.

DESCRIPTION

FIG. 1 is a top front perspective view of a portable telephone showing our new design;
FIG. 2 is a front elevational view thereof;
FIG. 3 is a rear elevational view thereof;
FIG. 4 is a left side elevational view thereof;
FIG. 5 is a right side elevational view thereof;
FIG. 6 is a top plan view thereof; and,
FIG. 7 is a bottom plan view thereof.

1 Claim, 5 Drawing Sheets



OTHER PUBLICATIONS

i-mate Ultimate 5150, announced Feb. 2007, [online], [retrieved on Feb. 20, 2007]. Retrieved from Internet ,<URL: <http://www.gsmarena.com>>.*

U.S. Appl. No. 29/288,722, Applicant: Woo-Seung Han, et al., filed Jun. 21, 2007 entitled Portable Telephone.

U.S. Appl. No. 29/292,098, Applicant: Chi-Young Ahn, et al., filed Sep. 27, 2007 entitled Portable Telephone.

* cited by examiner

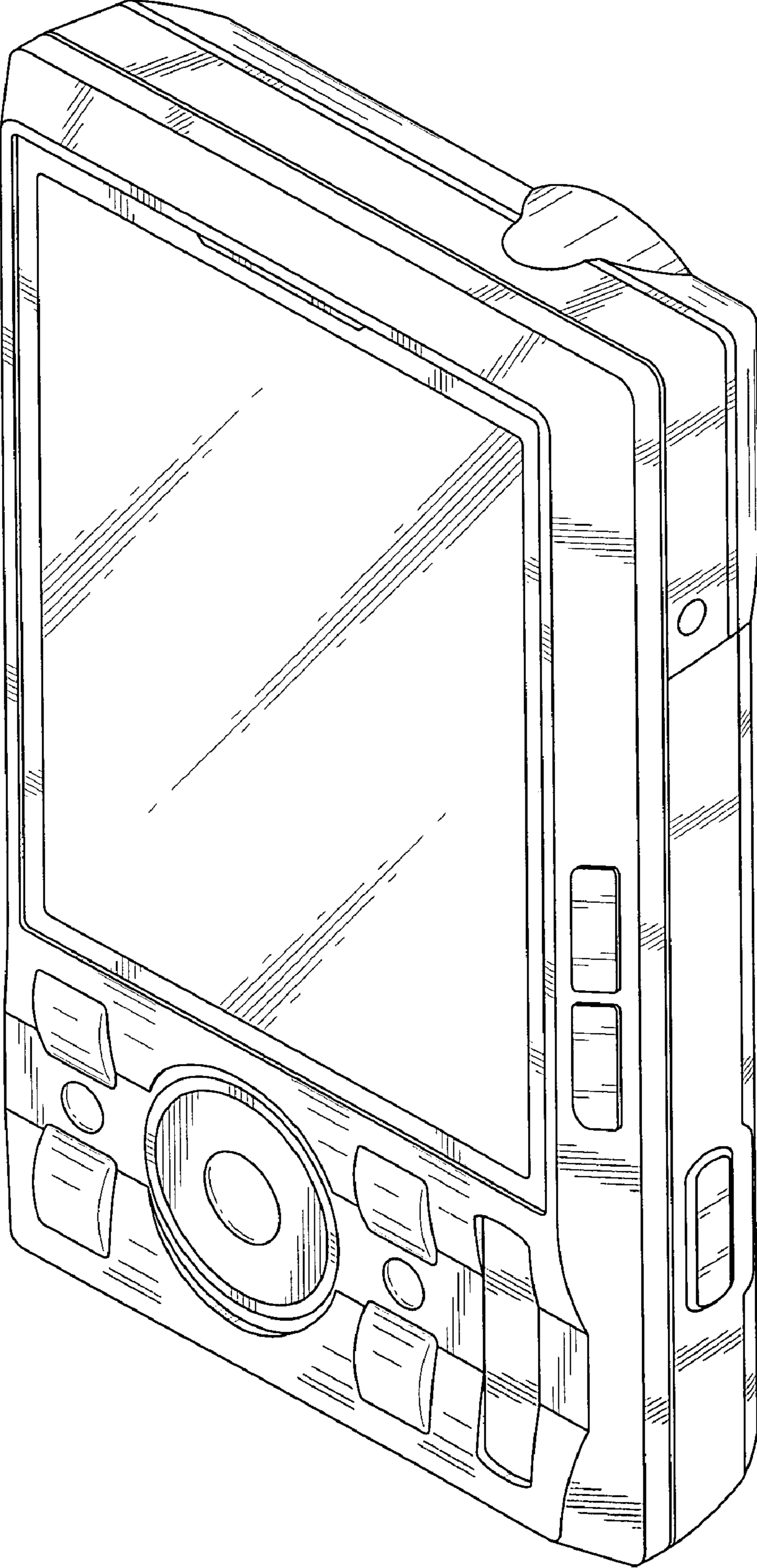


FIG. 1

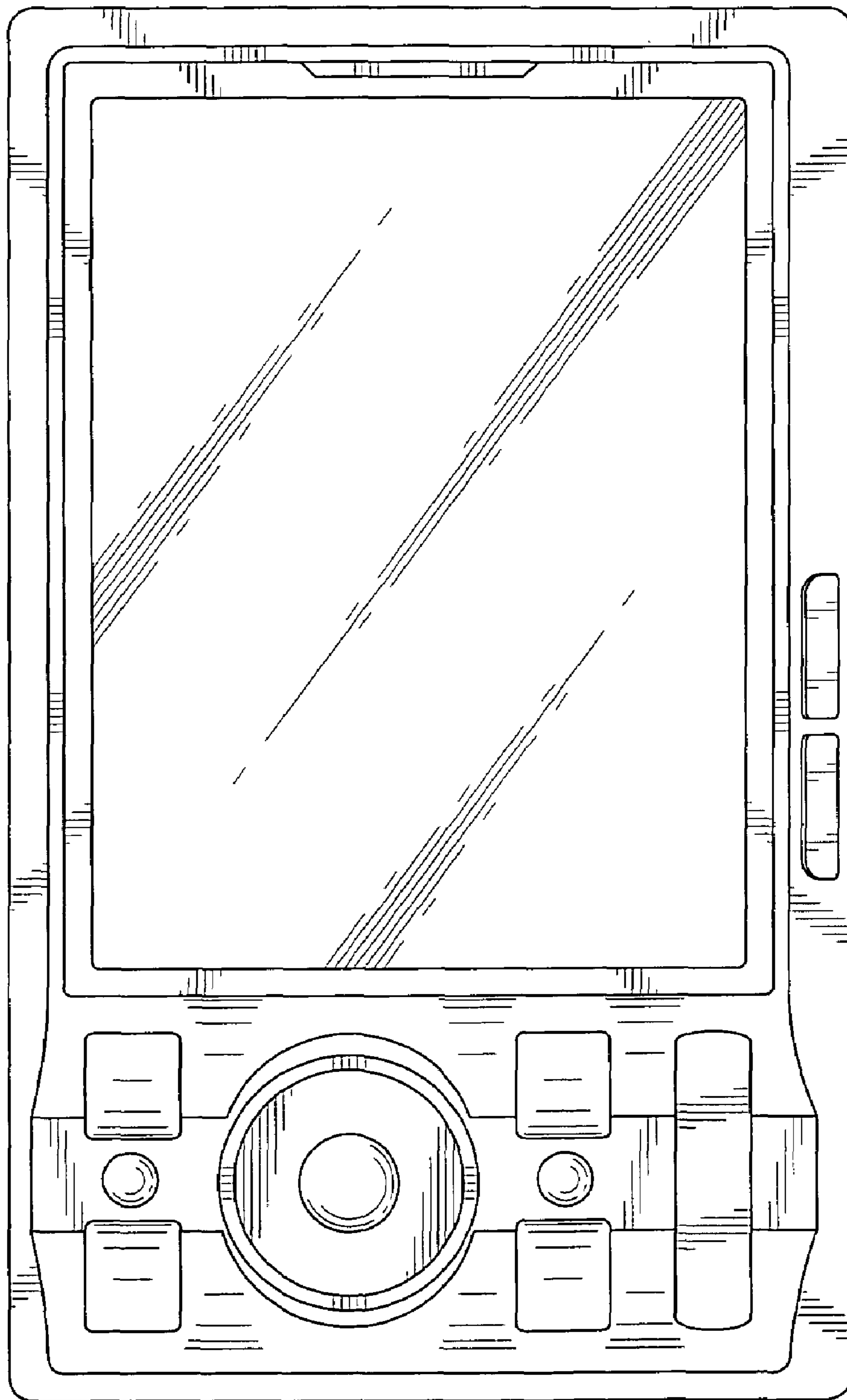


FIG. 2

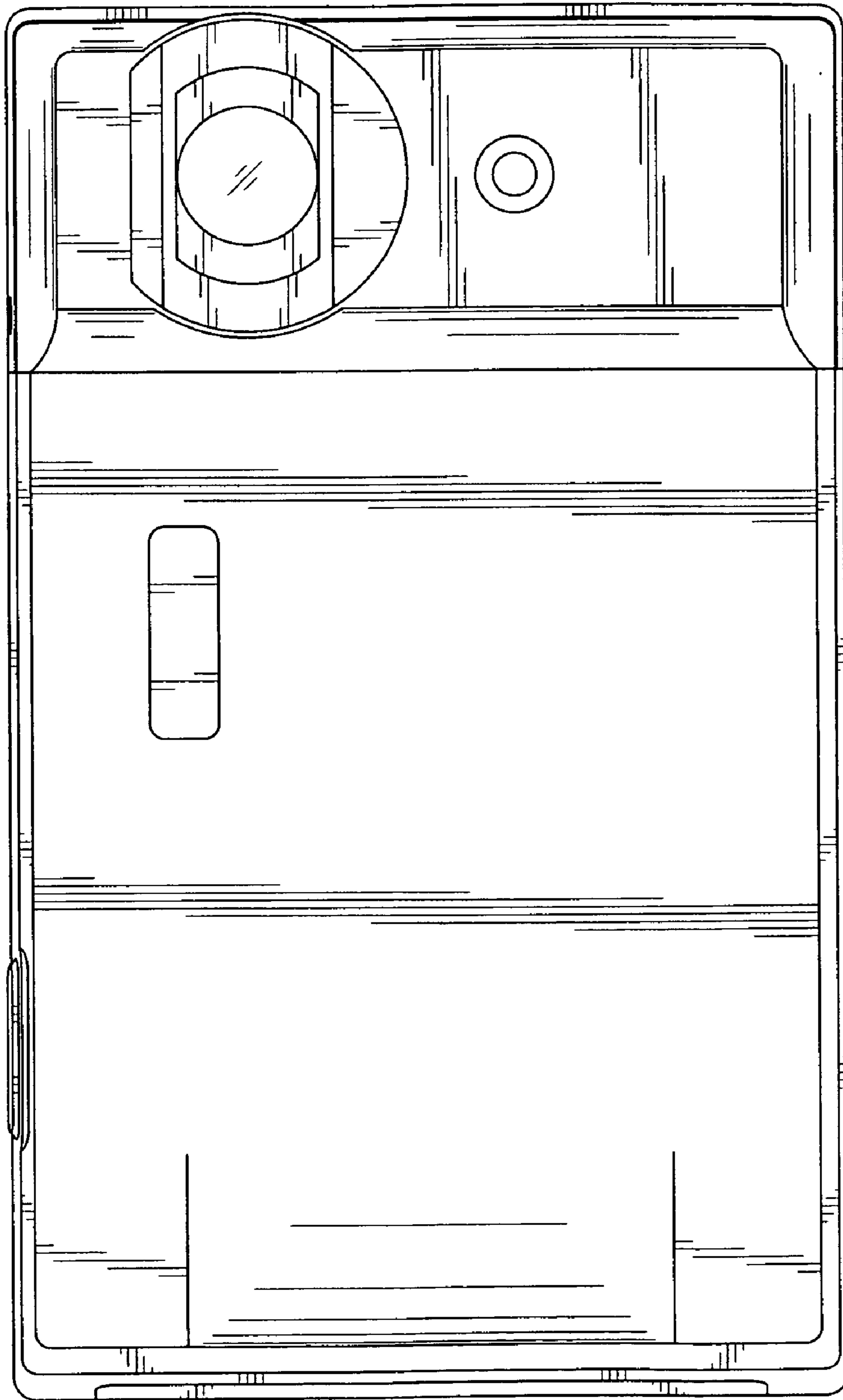


FIG. 3

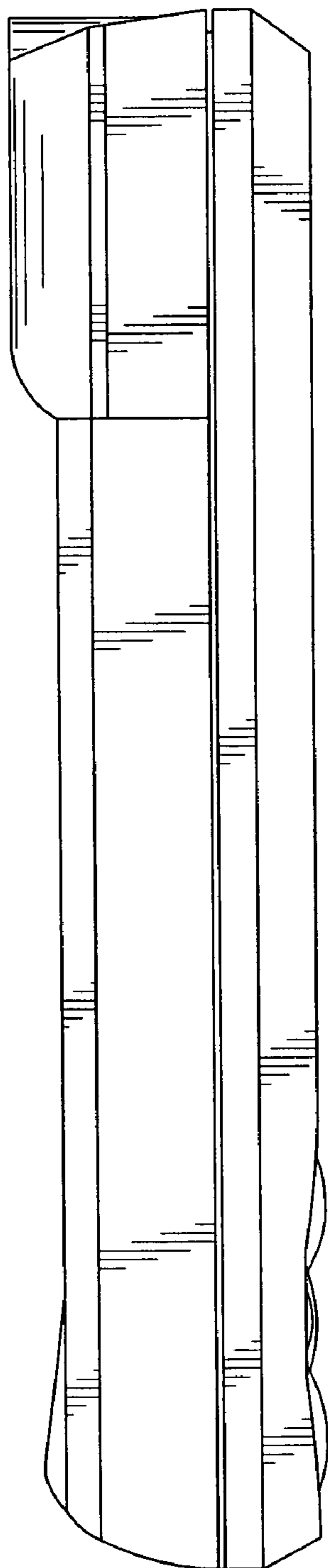


FIG. 4

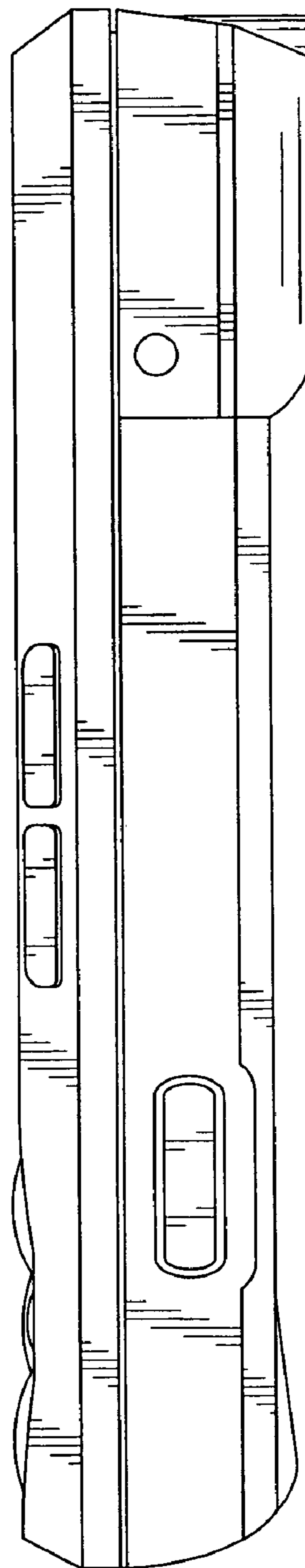


FIG. 5

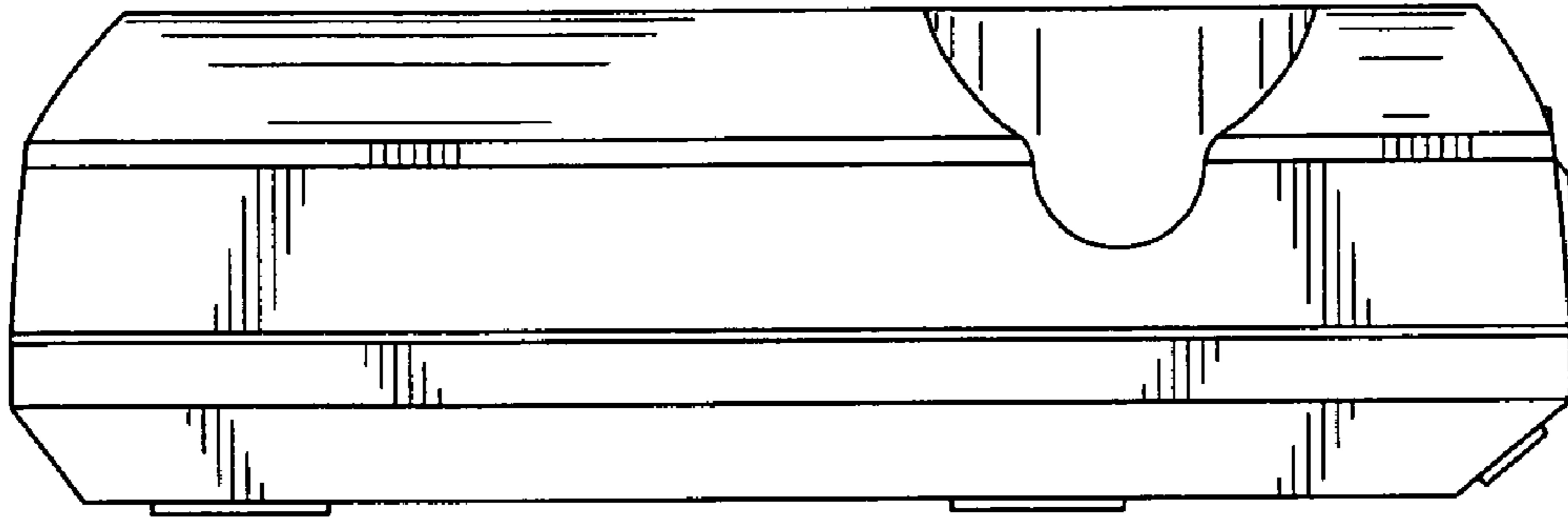


FIG. 6

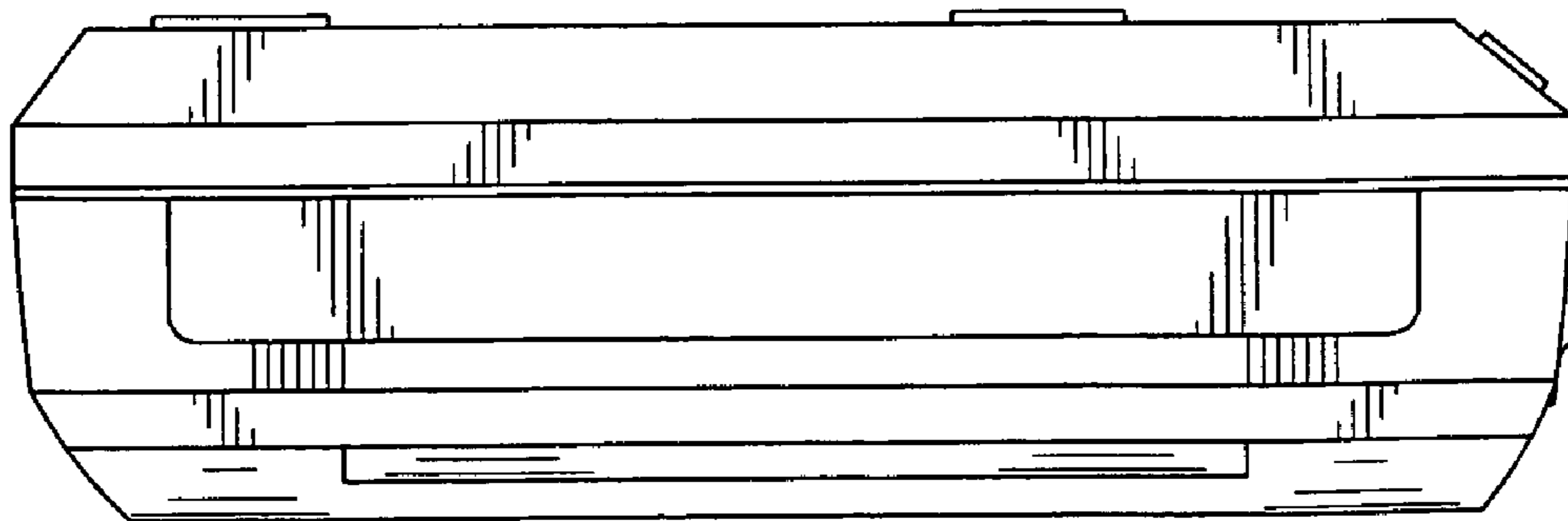


FIG. 7